

UNITED STATES STOVE CO

EST^d 1869

69FAK Fresh Air Intake

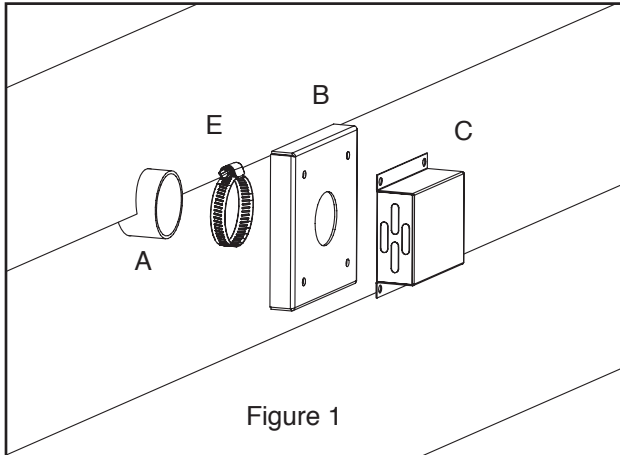


Figure 1

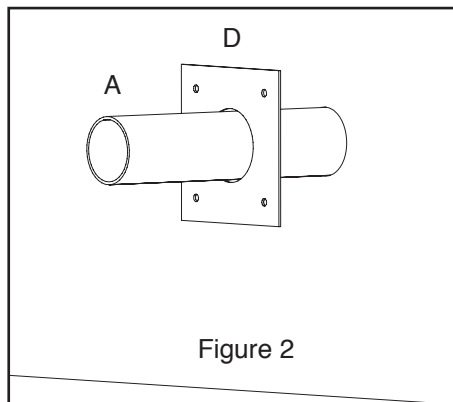


Figure 2

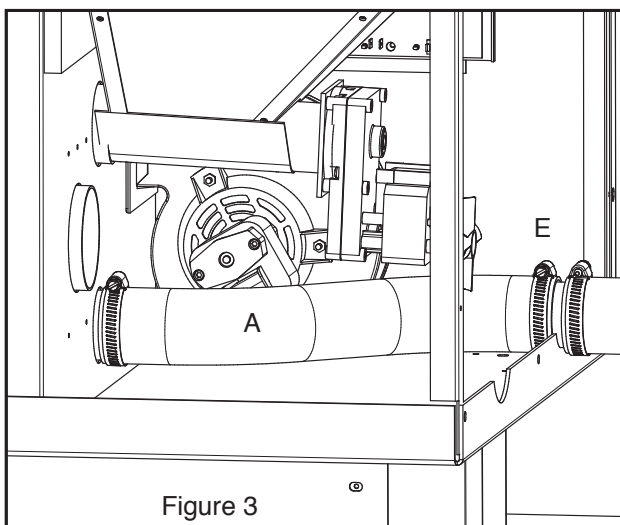


Figure 3

| The 69FAK should contain the following items: | | | | |
|---|--------|------------------------|-----------------|---|
| A | 86615 | 2" ID Flexible Hose | 2 | |
| B | 69473B | Outside Cover, Painted | 1 | |
| C | 25391B | Rodent Cover, Painted | 1 | |
| D | 25388B | Inside Plate, Painted | 1 | |
| E | 83879 | 2" Hose Clamp | 4 | |
| | | 83335 | #10 x 3/4 Screw | 8 |
| | | 83898 | Drywall Anchors | 4 |

INSTALLATION

1. With the stove in the operating position, mark and drill a hole to accommodate the 2" flexible hose.
2. Insert the hose through the wall and attach the Outside Cover with one of the 2" hose clamps provided. See Figure 1.
3. Then attach the Outside Cover to the outside wall.
4. Next, attach the Rodent Cover to the Outside Cover using four (4) of the #10 x 3/4 screws supplied.
5. On the inside of the home, slide the Inside Plate over the tube then attach to the wall with the four drywall anchors and screws provided. See Figure 2.

For all models except model 6041 skip to step 8.

6. On the Air Inlet Tube coming out of the firebox, there is a cap that must have four(4), 5/32"(0.156) diameter holes drilled in it for the fresh air installation. The cap is on the front side of the tube just under the burnpot. Remove burnpot. Using a long screwdriver or equivalent, knock the cap off by inserting it from the back of the stove and pecking with a hammer. Drill holes, then replace cap and burnpot.
7. Attach one of the 2" flex hoses to the backside of the firebox, then to air inlet pipe at the back of the stove as shown in figure 3.
8. Stretch the 2" flex hose to the air inlet on the back of the stove. Attach using the other 2" hose clamp. See Figure 3. (The hose will extend up to 4 feet in length.) *For the insert model, only one flex hose will be used.*

Figure 3 shown with Exhaust Housing removed for clarity