

UNITED STATES STOVE CO

EST^d 1869

LC-37 Log Cart

The following instructions show you how to easily assemble your new cart.

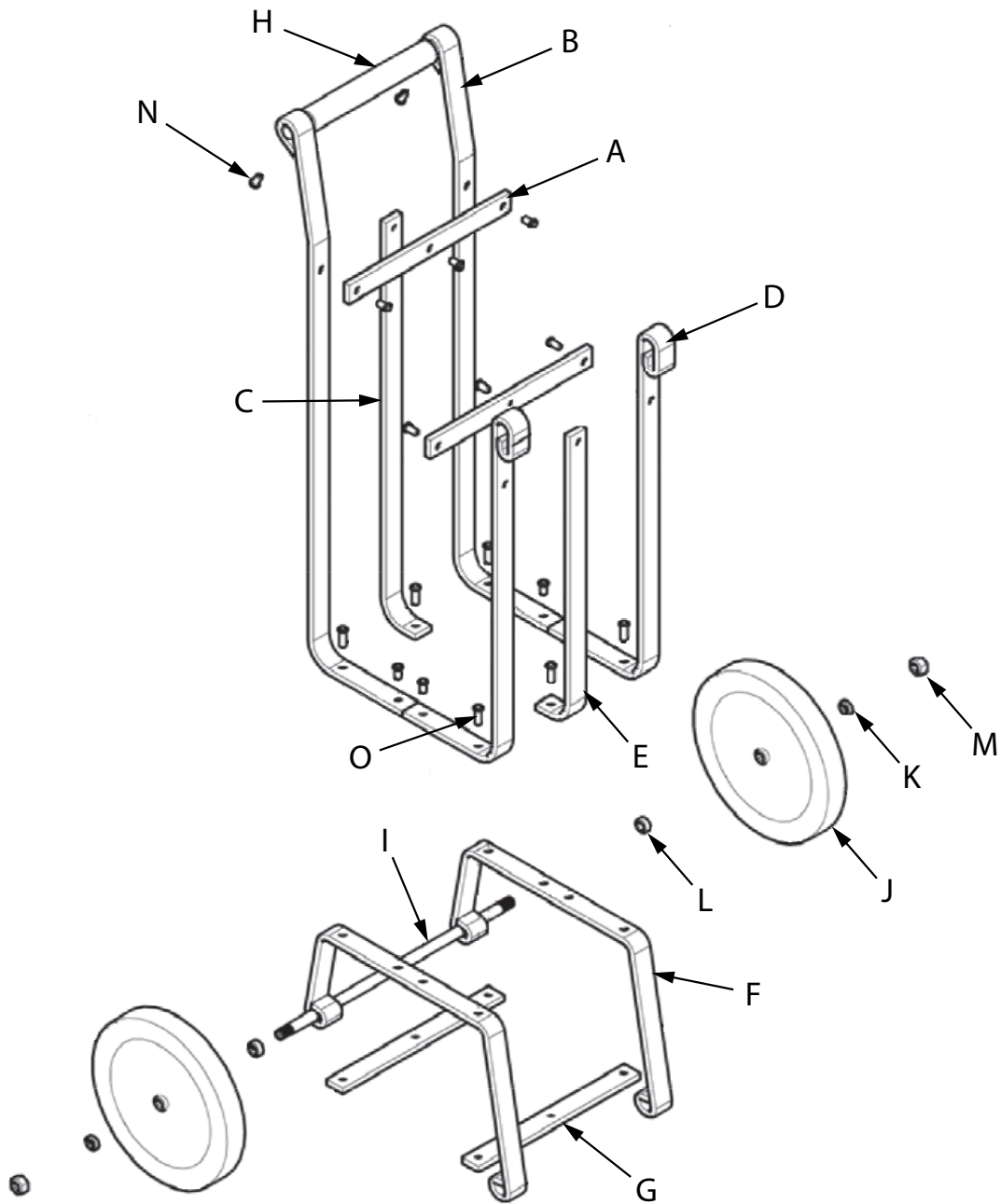
TOOLS REQUIRES

- 19 mm socket wrench (or adjustable crescent wrench)
- 5/32" hex wrench (supplied)

ASSEMBLY

1. Place the Base Support Legs bars (F) on either ends of the Axle (I).
2. Place the thicker Washers (L) on each end of the Axle.
3. Place a Wheel (J) on each end of the Axle followed by the thinner Washer (K) and secure the wheel assemblies by threading a 12mm Hex Nut (M) on each end of the Axle.
4. Position the Wooden handle (H) into the Back Vertical Support Bars (B). Secure the handle with two 5/8" Machine Screws (N). **NOTE:** Do not tighten the fasteners until all parts have been assembled.
5. Insert two 1" Machine Screws (O) in the two holes at the rear of the Bottom Vertical Support Bars (B). Align screws through the rear set of holes in the Base Support Legs (F) and thread into the Base Separation Bar (G).
6. Insert the 5/8" Machine Screws (N) in the remaining holes to secure the Back Vertical Support bars (B) to the Base Support Legs (F).
7. Insert two 1" Machine Screws (O) in the two holes at the front of the Front Vertical Support Bars (D). Align screws through the front set of holes in the Base Support Legs (F) and thread into the Base Separation Bar (G).
8. Secure the Center Back Vertical Support Bar (C) to the Upper Separation Bar (A) by threading two 5/8" Machine Screws (N) through the Upper Separation Bar (A) into the Center Back Vertical Support Bar (C).
9. Secure the Center Back Vertical Support Bar (C) to the Base Separation Bar (G) by threading a 5/8" Machine Screw (N) through the Base Separation Bar (G) into the Center Back Vertical Support Bar (C).
10. Attach the Center Front Vertical Support Bar (E) to the Base Separation Bar (G) by threading a 5/8" Machine Screw through the Vertical Support Bar (E) into center hole of the Base Separation Bar (G).
11. Secure the Front Vertical Support Bars (D and E) to the Upper Separation Bar (A) using 5/8" Machine Screws.
12. Securely tighten all screws.





In order to maintain warranty, components must be replaced using original manufacturers parts purchased through your dealer or directly from the appliance manufacturer. Use of third party components will void the warranty.

Key	Description	Qty
A	Upper Separation Bar	2
B	Back Vertical Support Bar	2
C	Center Back Vertical Support Bar	1
D	Front Vertical Support Bar	2
E	Center Front Vertical Support Bar	1
F	Base Support Legs Bar	2
G	Separation Bar	2
H	Wood Handle	1
I	Axle	1
J	10" x 1.25" w/1/2" Rubber Wheel Bearing	2
K	Bushing, 3/4" OD x 13/32" ID x 1/16"	2
L	Bushing, 3/4" OD x 1/2" ID x 1/8"	2
M	Hex Nut, 12 mm x 1.75	2
N	Screw, 1/4-20 x 5/8"	14
O	Screw, 1/4-20 x 1"	4