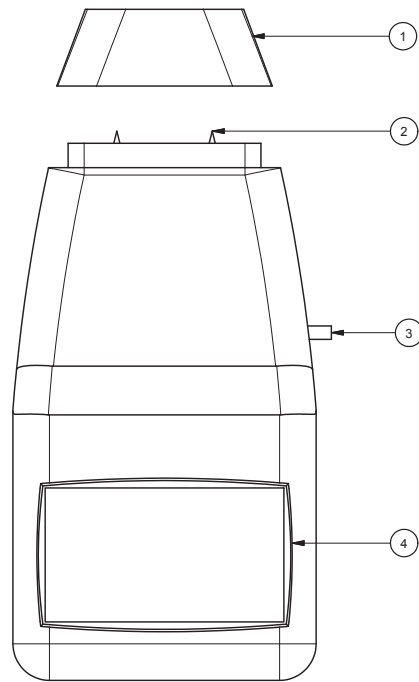


MOISTURE METER INSTRUCTIONS



Key	Description
1	Protective Cap
2	Electrode Pin
3	Cutoff Switch
4	Analog Display Screen

- The electrode measurement pins are extremely sharp. Use care when handling this instrument. Cover the pins with the protective cap when the instrument is not in use
- Do not leave the battery and/or packing material lying around unattended. This device is not a toy and must not reach children's hands. It contains hazardous objects as well as small parts that the children could swallow. In case a child swallows any of them, please contact a physician immediately.
- Replace and properly dispose of battery as needed. Always remove the battery if not in use for an extended period of time. Expired or damaged batteries can cause cauterization on contact with the skin. Always use suitable gloves when changing an old or damaged battery.

1. Remove the protective cap to expose the electrode pins.
2. Turn the device on by pushing the switch toward the small end of the meter where the pins are located.
3. Carefully push the electrode pins as far as possible into the material under test. Note that the pins should be inserted into wood perpendicular to the wood's fiber structure.
4. The moisture meters scale is color coded to indicate the following: green (dry), yellow (borderline), red (wet).
5. To insure the device is working properly, tests should be made on material samples that are known to be dry. Such readings can be used as standards or reference points against which subsequent readings should be compared.
6. Take several readings in several locations on the material for the best representation of the amount of moisture present.
7. This device has a moisture range of 10%-28% for wood. Wood that has not been seasoned properly and has a high wood moisture content will produce excess visible smoke and burn poorly. Use this moisture meter to insure your wood has a 20% or less moisture content.
8. Always keep the instrument dry. To prevent dirt from accumulating at the electrode pins, clean this device with a dry cloth after each use.
9. Replace the protective cap when finished.