

Vogelzang LC-37 Log Cart

Thank you for purchasing Vogelzang's LC-37 Log Cart. The following instructions show you how to easily assemble your new cart.

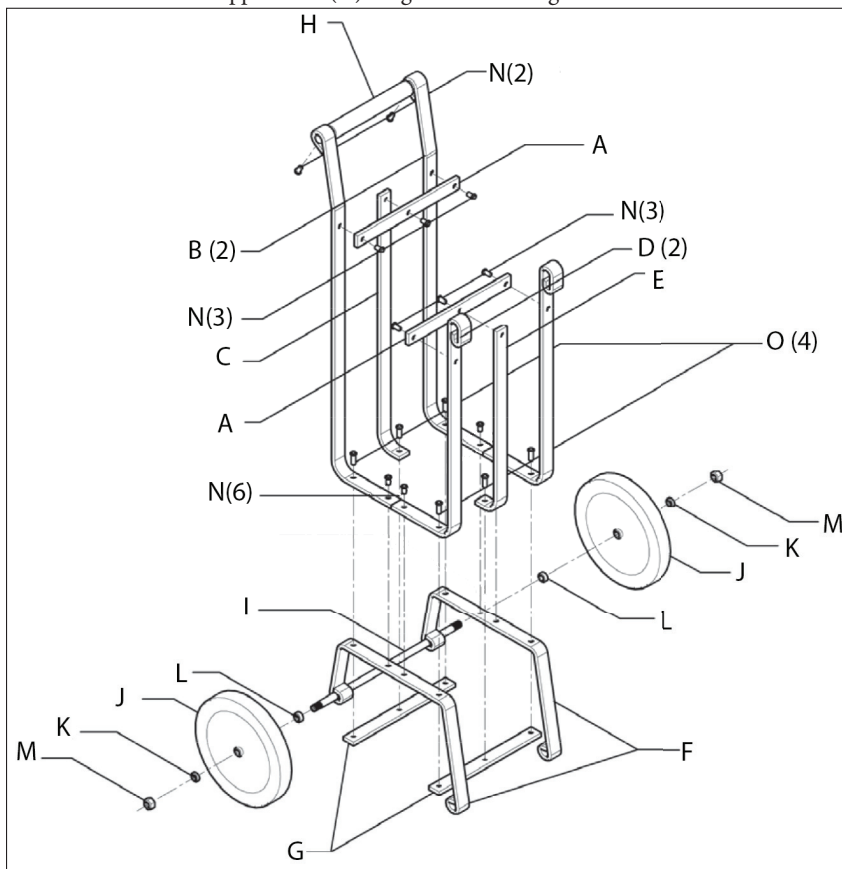
Tools Requires: You will only need two tools, a 19mm socket wrench (or adjustable crescent wrench) and a 5/32" hex wrench (supplied).

Assembly:

1. Assemble the base by placing the base support legs (F) on either ends of the axle (I).
2. Place the larger, 1/4" bushings (L) on each end of the axle.
3. Place a wheel (J) on each end followed by the smaller, 1/8" bushing (K) and secure the wheel assemblies by threading a 12mm hex nut (M) on each end of the axle.
4. Position the wooden handle (H) into the back vertical support bars (B). The handle is secured with two 5/8" machine screws (N). Wait to tighten until all parts have been assembled.
5. Place two 1" machine screws (O) in the two holes at the rear of the bottom vertical support bars (B). Align screws through the rear set of holes in the base support legs (F) and thread into the base separation bar (G). Use the shorter 5/8" screws (N) in the remaining holes to secure the handle assembly vertical support bars (B) to the base legs (F).
6. Assemble the front vertical support bars (D) in a similar fashion using the longer 1" screws (O) in the two holes at the bottom front of the vertical support bars (D). Align screws through the front set of

holes in the base support legs (F) and thread into the base separation bar (G). Use the shorter 5/8" screws (N) in the remaining holes to secure the front vertical support bars (D) to the base legs (F).

7. Position the upper separation bars (A) on the inside of the handle assembly vertical support bars (B) and secure with 5/8" machine screws (N).
8. Secure the center back vertical support bar (C) to the upper separation bar (A) as shown by passing a 5/8" machine screw (N) through the separation bar (A) and threading it into the vertical support bar (C).
9. Secure the center back vertical support bar (C) to the separation bar (G) as shown by passing a 5/8" machine screw (N) through the separation bar (G) and threading it into the vertical support bar (C).
10. Position the center front vertical support bars (E) as shown and attach to the base separation bar (G) by passing a 5/8" screws (N) through the vertical support bar (E) and thread into the center hole of the base separation bar (G).
11. Secure the front vertical support bars (D & E) to the front upper separation bar (A) with 5/8" screws (N).
12. Tighten all screws securely.



Parts		
Part Ref.	Description	Qty.
A	Upper Separation Bar	2
B	Back Vertical Support Bar	2
C	Center Back Vertical Support Bar	1
D	Front Vertical Support Bar	2
E	Center Front Vertical Support Bar	1
F	Base Support Legs Bar	2
G	Separation Bar	2
H	Wood Handle	1
I	Axle	1
J	Rubber Wheel, 10" x 1.25" w/ 1/2" Bearing	2
K	Bushing, 3/4" OD x 17/32" ID x 1/8"	2
L	Bushing, 3/4" OD x 17/32" ID x 1/4"	2
M	Hex Nut, 12mm x 1.75	2
N	Screw, 1/4-20 x 5/8"	14
O	Screw, 1/4-20 x 1"	4

VOGELZANG
Affordable Heating Since 1974

LC-37 Log Cart

Vogelzang
 227 Industrial Park Road
 South Pittsburg, Tennessee 37380
 www.vogelzang.com
 Phone: (800)-750-2723 or (800)-222-6950

852339