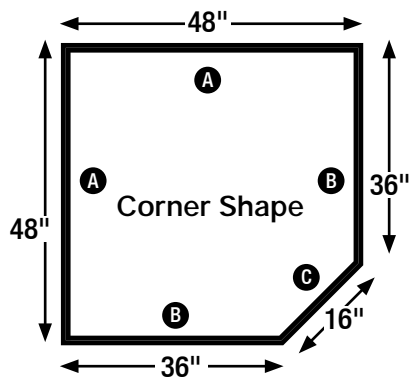


48" CORNER SHAPE FRAME



Hearth Pad Frame Assembly Instructions



HINT:
Use liquid soap
on the plug
ends for easy
attaching.

PARTS INCLUDED:

- (3) 90° angle corner plugs
- (4) 22.5° angle corner plugs (corner shape will use 2)
- (2) Frame pieces at approximately 48" long
- (2) Frame pieces at approximately 36" long
- (1) Frame piece at approximately 24" long
(used in standard shape only)
- (2) Frame pieces at approximately 16" long
(corner shape will use 1)

STEPS 1 - 2

With a 90° angle corner plug, attach the two 48" frame pieces (A & A).

STEPS 3 - 6

Using a 90° angle corner plug, attach a 36" frame piece (B) to the open end of the 48" frame piece (A). Then repeat on the other side (B & A).

STEPS 7 - 8

With a 22.5° angle corner plug, attach the 16" frame piece (C) to the open end of the 36" frame piece (B).

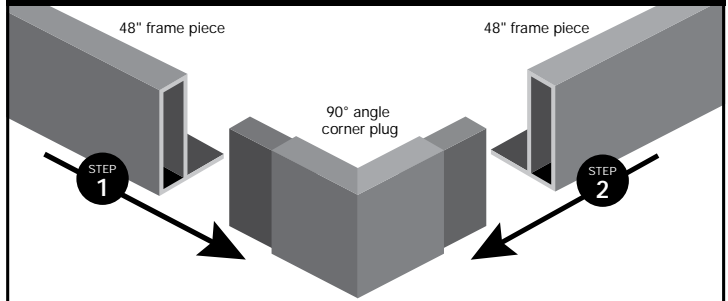
STEPS 9 - 10

Using the remaining 22.5° angle corner plug, finish the frame by attaching the 16" frame piece (C) to the open end of the other 36" frame piece (B).

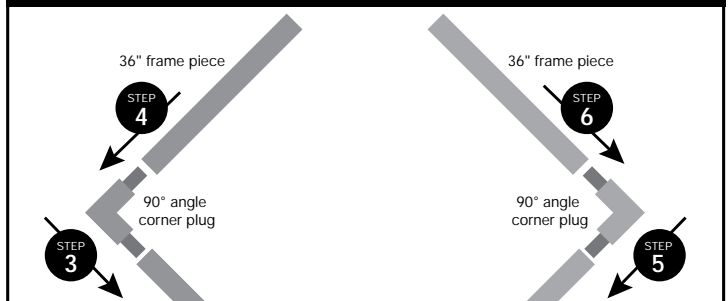
LAST STEP

Take care to make sure all corner plugs are inserted completely in the frame piece.

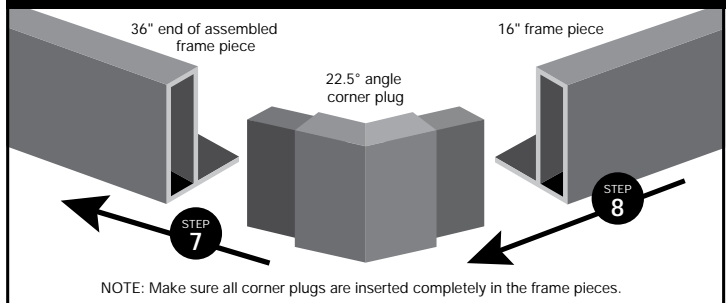
Corner Shape Frame - Steps 1 - 2



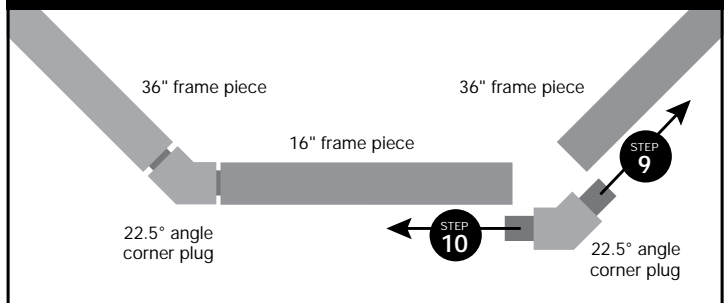
Corner Shape Frame - Steps 3 - 6



Corner Shape Frame - Steps 7 - 8



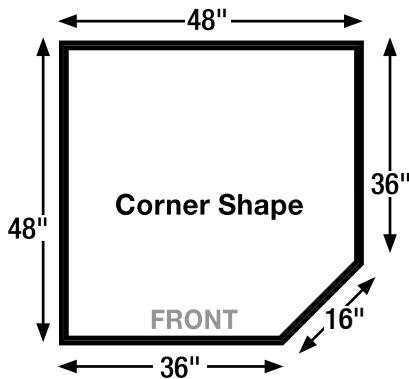
Corner Shape Frame - Steps 9 - 10



48" CORNER SHAPE SUBSTRATE



Hearth Pad Substrate Assembly Instructions



CORNER SHAPE SUBSTRATE

MICORE 300 INCLUDED:

- (3) – 12" x 48" rectangle pieces
- (1) – 12" x 48" rectangle piece with two end cuts at 45°
- (1) – Tube of silicone
- (1) – Triangle piece (used in corner shape only)

CEMENT BOARD INCLUDED:

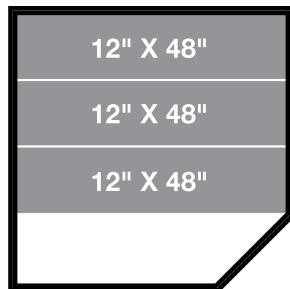
- (1) – 6" x 48" rectangle piece with two end cuts at 45°
- (1) – 6" x 48" rectangle piece
- (2) – 12" x 48" rectangle pieces
- (1) – 12" x 48" rectangle piece with two end cuts at 45°
- (1) – Triangle piece (used in corner shape only)

#1 MICORE 300 SUBSTRATE

(this is 1/2" thick and slightly softer of the two substrates)

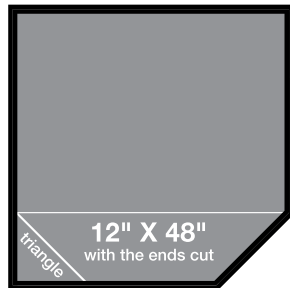
STEP 1

While positioned in front of the hearth pad (single lop will be in front of your right knee), lay in (3) 12" x 48" rectangle pieces starting from back to front and running left to right.



STEP 2

Lay in (1) 12" x 48" rectangle piece with two end cuts - only one way this will go into frame.

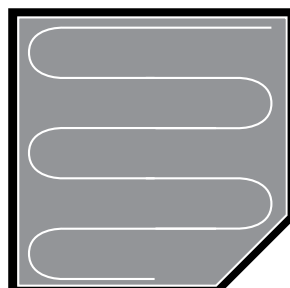


STEP 3

Lay in the triangle piece.

LAST STEPS

Run a bead of silicone around the outside edge and inside of the frame. Make several elongated "S" movements across all of the Micore 300.

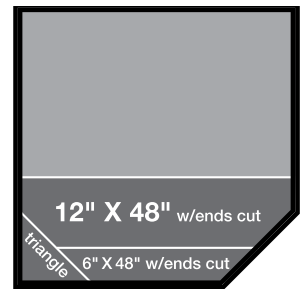


#2 CEMENT BOARD SUBSTRATE

(this is 1/4" thick and the harder of the two substrates)

STEP 1

Lay in (1) 6" x 48" rectangle piece with two end cuts starting from right to left and running from front to back.

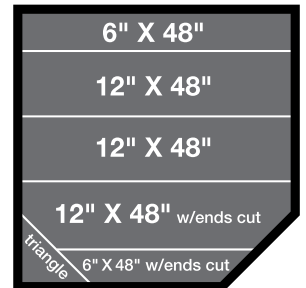


STEP 2

Lay in the triangle piece.

STEP 3

Lay in (1) 12" x 48" rectangle piece with two end cuts.

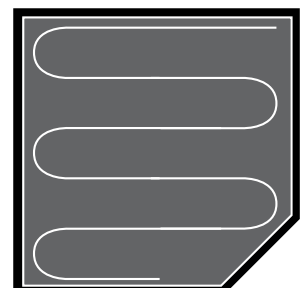


STEP 4

Lay in the (2) 12" x 48" rectangle pieces.

STEP 5

Lay in the (1) 6" x 48" rectangle piece.



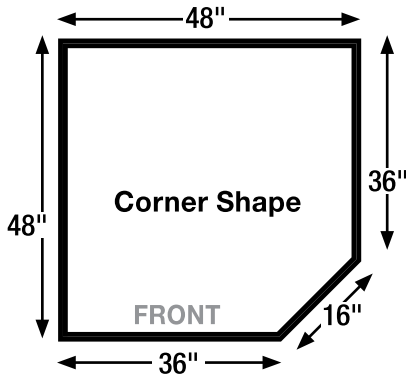
LAST STEPS

Run a bead of silicone around the outside edge and inside of the frame. Make several elongated "S" movements across all of the cement board.

48" CORNER SHAPE MODULAR PANELS



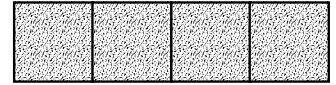
Hearth Pad Modular Panels Assembly Instructions



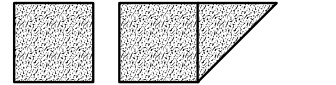
PARTS INCLUDED:

- (3) 12" x 48" modular panels
- (1) 12" x 36" modular panel with one end cut at 45°
- (1) 12" x 12" modular panel
- (1) Triangle shape modular panel (used in standard shape only)
- (4) Load spreading disc (for appliances using legs or leveling bolts)

(3) 12" X 48" modular panels



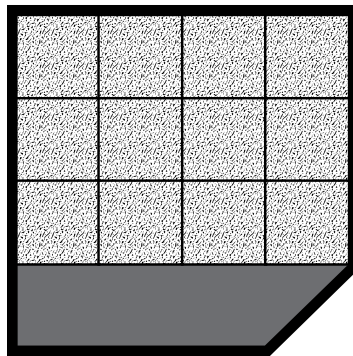
12" X 12" 12" X 36" with the end cut



CORNER MODULAR PANELS

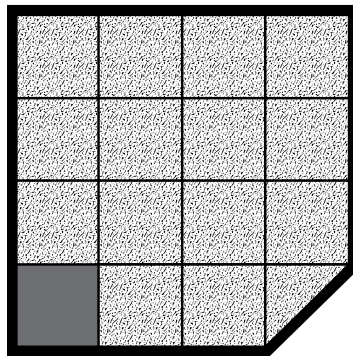
STEP 1

While positioned in front of the hearth pad frame (single lop will be in front of your right knee), lay in (3) 12" x 48" modular panels starting from back to front and running left to right.



STEP 2

Lay in (1) 12" x 36" modular panel with one end cut - only one way this will go into frame.

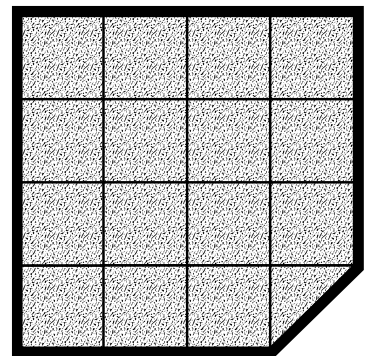


STEP 3

Lay in the 12" x 12" square modular panel in the open area located at the bottom left corner.

STEP 4

Square up the hearth pad taking care to make sure the tile lines are straight and modular panels are pushed to center. This may create a small gap between the frame and the outside edge of the tile.



LAST STEP

For any appliance using legs or leveling bolts, place a load spreading disc beneath each leg to prevent pressure cracks.