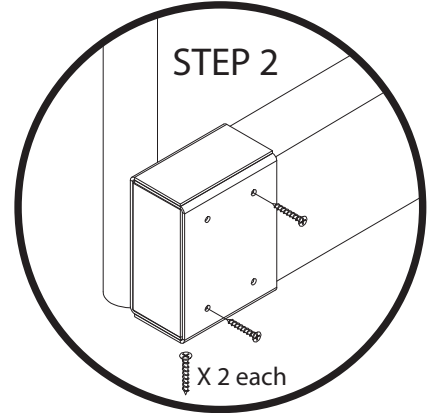
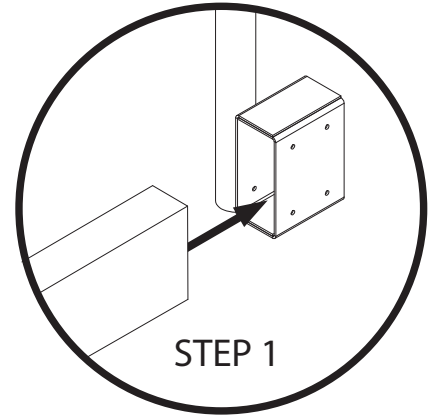
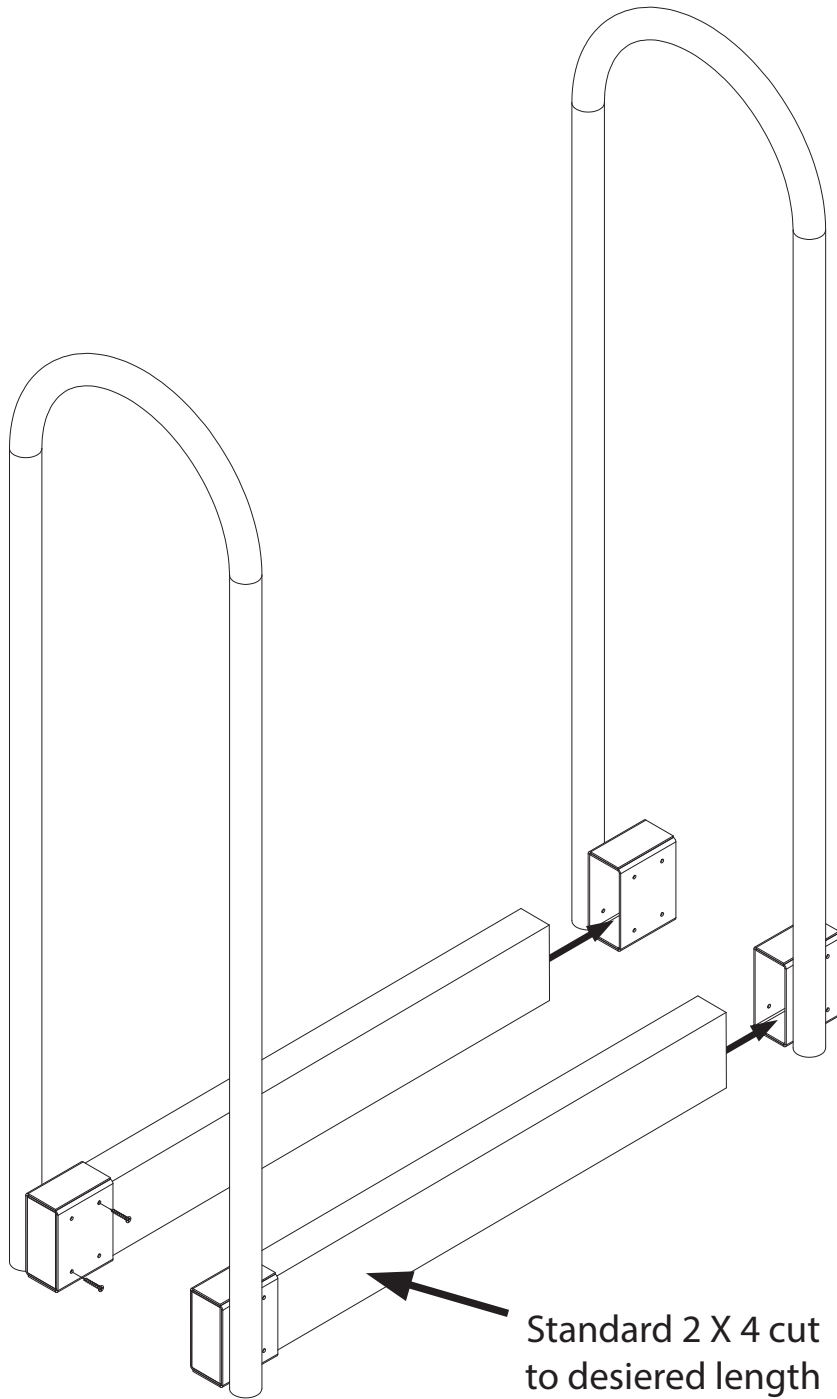


HCLRA ASSEMBLY INSTRUCTIONS



STEP 3
Repeat steps one and two for the remaining three brackets.

Key	Part No.	Description	Qty.
1	610135	Vertical Weldment	2
2	83640	Wood Screw	10

In order to maintain warranty, components must be replaced using original manufacturers parts purchased through your dealer or directly from the appliance manufacturer. Use of third party components will void the warranty.