

# Owner's Instruction and Operation Manual

**Ashley**  
America's Hearth Since 1905

Model Number:

**AGVF340**

**PFS**  
US

Report Number: 21-721



Certified for installations in the USA  
Approved for installation in mobile homes

MAY BE INSTALLED IN A SOLID FUEL BURNING FIREPLACE, AS A FREESTANDING FIREPLACE, AS A ZERO CLEARANCE FIREPLACE OR WITH AN OPTIONAL WOODEN SURROUND

\* All Pictures In This Manual Are For Illustrative Purposes Only. Actual Product May Vary.

852372N-4303M

Save These Instructions In A Safe Place For Future Reference.

**⚠ WARNING:**

**FIRE OR EXPLOSION HAZARD**

**Failure to follow safety warnings exactly could result in serious injury, death, or property damage.**

**Do not store or use gasoline or other flammable vapors and liquids in the vicinity of this or any other appliance.**

**WHAT TO DO IF YOU SMELL GAS:**

- **Do not try to light any appliance.**
- **Do not touch any electrical switch; do not use any phone in your building.**
- **Leave the building immediately.**
- **Immediately call your gas supplier from a neighbor's phone. Follow the gas supplier's instructions.**
- **If you cannot reach your gas supplier, call the fire department.**

**Installation and service must be performed by a qualified installer, service agency or the gas supplier.**

Please read this manual BEFORE installing and operating this unit.

**INSTALLER: Leave this manual with the appliance.**

**CONSUMER: Retain this manual for future reference.**

**⚠ CALIFORNIA PROPOSITION 65 WARNING:**

This product can expose you to chemicals including carbon monoxide, which is known to the State of California to cause cancer, birth defects, and/or other reproductive harm. For more information, go to [www.P65warnings.ca.gov](http://www.P65warnings.ca.gov)

THIS MANUAL IS SUBJECT TO CHANGE WITHOUT NOTICE.

**CODE APPROVAL**


This is an unvented gas-fired heater. It uses air (oxygen) from room in which it is installed. Provisions for adequate combustion and ventilation air must be provided.

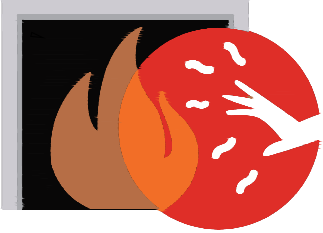
This appliance has been tested and found to comply with the established standards for unvented gas-fired heater in the USA as follows:

**STANDARDS**

- ANSI Z21.11.2-2019, UNVENTED HEATER

The installation must conform with local codes or in the absence of local codes, with National Fuel Gas Code, ANSI Z223.1/NFPA54


DANGER



**HOT GLASS WILL  
CAUSE BURNS.**

**DO NOT TOUCH GLASS  
UNTIL COOLED.**

**NEVER ALLOW CHILDREN  
TO TOUCH GLASS.**

A barrier designed to reduce the risk of burns from the hot viewing glass is provided with this appliance and shall be installed for the protection of children and other at-risk individuals.

852502B

**NATIONAL  
FIREPLACE  
INSTITUTE®**



**CERTIFIED**  
www.nficerified.org

We recommend that our gas hearth products be installed and serviced by professionals who are certified in the U.S. by the National Fireplace Institute® (NFI) as NFI Gas Specialists.

This appliance may be installed in an after market permanently located, manufactured home (USA only) or mobile home, where not prohibited by local codes. It is only for use with the type of gas indicated on the rating plate, and is not convertible for use with other gassed.

- After-market: Completion of sale, not for purpose of resale, from the manufacturer.

**For Customer Service, please call:**  
**1-800-750-2723 Ext 5050 or;**  
**Text to 423-301-5624 or;**  
**Email us at:**  
**customerservice@usstove.com**



**Note:** Register your product online at [www.usstove.com](http://www.usstove.com) or download the free app today. This app is available only on the App Store for iPhone and iPad. Search US Stove. Save your receipt with your records for any claims.

# INSTALLATION CHECKLIST



Your Gas Stove should be installed by a qualified installer only. An NFI qualified Installer can be found at [www.nficertified.org/public/find-an-nfi-pro/](http://www.nficertified.org/public/find-an-nfi-pro/)

## CUSTOMER SERVICE

1-800-750-2723 ext 5050  
Text to 423-301-5624  
Email to: [Customerservice@usstove.com](mailto:Customerservice@usstove.com)

## COMMISSIONING CHECKLIST

This Checklist is to be completed in full by the qualified person who installs this unit. Keep this page for future reference.

Failure to install and commission according to the manufacturer's instructions and complete this checklist will invalidate the warranty.

Please Print

Customer Name:										Telephone Number:									
Address:																			
Model:																			
Serial Number:																			
Installation Company Name:										Phone Number:									
Installation Technician's Name:										License Number:									

## DESCRIPTION OF WORK

Location of installed appliance: \_\_\_\_\_

## COMMISSIONING

- Confirm proper placement of internal parts .....
- Confirm clearances to combustibles as per installation instructions in this manual .....
- Confirm the stove starts and operates properly.....
- Check to ensure a CO alarm is installed as per local building codes and is functional .....
- Explain the safe operation, proper fuel usage, cleaning, and routine maintenance requirements .....

Declaration of Completion: As the qualified person responsible for the work described above, I confirm that the appliance as associated work has been installed as per manufacturer's instructions and following any applicable building and installation codes.

Signed: \_\_\_\_\_ Print Name: \_\_\_\_\_ Date: \_\_\_\_\_

**Home Owner: RETAIN THIS INFORMATION FOR FUTURE REFERENCE**

## REQUIREMENTS FOR THE COMMONWEALTH OF MASSACHUSETTS

This product must be installed by a licensed plumber or gas fitter when installed within the Commonwealth of Massachusetts.

### NOTE REGARDING VENTED PRODUCTS

Flex line installation must not exceed 36 inches and must have a T shutoff valve. Any residence with a direct vent product must have a CO detector installed in the residence. Installation of the fireplace or vented gas log in the State of Massachusetts requires the damper to be permanently removed or welded in the fully open position. In addition, neither a naturally vented gas log nor a vent-free product may be installed in a bedroom or bathroom in the State of Massachusetts. All gas fitting and installation of this heater shall only be done by a licensed gas fitter or licensed plumber. For all side wall horizontally vented gas fueled equipment installed in every dwelling, building or structure used in whole or in part for residential purposes, including those owned or operated by the Commonwealth and where the side wall exhaust vent termination is less than seven (7) feet above finished grade in the area of the venting, including but not limited to decks and porches, the following requirements shall be satisfied:

### INSTALLATION OF CARBON MONOXIDE DETECTORS

At the time of installation of the side wall horizontal vented gas fueled equipment, the installing plumber or gas fitter shall observe that a hard wired carbon monoxide detector with an alarm is installed on each additional level of the dwelling, building or structure served by the side wall horizontal vented gas fueled equipment. It shall be the responsibility of the property owner to secure the services of qualified licensed professionals for the installation of hard wired carbon monoxide detectors. In the event that the side wall horizontally vented gas fueled equipment is installed in a crawl space or an attic, the hard wired carbon monoxide detector with alarm and battery back-up may be installed on the next adjacent floor level. In the event that the requirements of this subdivision can not be met at the time of completion of installation, the owner shall have a period of thirty (30) days to comply with the above requirements; provided, however, that during said thirty (30) day period, a battery

operated carbon monoxide detector with an alarm shall be installed.

### APPROVED CARBON MONOXIDE DETECTORS

Each carbon monoxide detector as required in accordance with the above provisions shall comply with NFPA 720 and ANSI/UL 2034 listed and IAS certified.

### SIGNAGE

A metal or plastic identification plate shall be permanently mounted to the exterior of the building at a minimum height of eight (8) feet above grade directly in line with the exhaust vent terminal for the horizontally vented gas fueled heating appliance or equipment. The sign shall read, in print size no less than one-half (1/2) inch in size, "GAS VENT DIRECTLY BELOW, KEEP CLEAR OF ALL OBSTRUCTIONS".

### INSPECTION

The state or local gas inspector of the side wall horizontally vented gas fueled equipment shall not approve the installation unless, upon inspection, the inspector observes carbon monoxide detectors and signage installed in accordance with the provisions of 248 CMR 5.08(2)(a)1 through 4.

### EXEMPTIONS

The following equipment is exempt from 248 CMR 5.08(2)(a)1 through 4:

- The equipment listed in Chapter 10 entitled "Equipment Not Required To Be Vented" in the most current edition of NFPA 54 as adopted by the Board; and
- Product Approved side wall horizontally vented gas fueled equipment installed in a room or structure separate from the dwelling, building or structure used in whole or in part for residential purposes.

### MANUFACTURER REQUIREMENTS - GAS EQUIPMENT VENTING SYSTEM PROVIDED

When the manufacturer of Product Approved side wall horizontally vented gas equipment provides a venting system design or venting system components with the equipment, the instructions provided by the manufacturer for installation of the equipment and the venting system shall include:

- Detailed instructions for the installation of the venting system design or the venting system components
- A complete parts list for the venting system design or venting system.

## **GAS EQUIPMENT VENTING SYSTEM NOT PROVIDED**

When the manufacturer of a Product Approved side wall horizontally vented gas fueled equipment does not provide the parts for venting the flue gases, but identifies “special venting systems”, the following requirements shall be satisfied by the manufacturer:

- The referenced “special venting system” instructions shall be included with the appliance or equipment installation instructions; and
- The “special venting systems” shall be Product Approved by the Board, and the instructions for that system shall include a parts list and detailed installation instructions.

A copy of all installation instructions for all Product Approved side wall horizontally vented gas fueled equipment, all venting instructions, all parts lists for venting instructions, and/or all venting design instructions shall remain with the appliance or equipment at the completion of the installation.

## **SAFETY INFORMATION**

<b>⚠ WARNING:</b>
<b>READ THIS OWNER'S MANUAL CAREFULLY AND COMPLETELY BEFORE TRYING TO ASSEMBLE, OPERATE, OR SERVICE. ANY CHANGE TO THIS APPLIANCE OR ITS CONTROLS CAN BE DANGEROUS. IMPROPER INSTALLATION OR USE CAN CAUSE SERIOUS INJURY OR DEATH FROM FIRE, BURNS, EXPLOSIONS, ELECTRICAL SHOCK AND CARBON MONOXIDE POISONING.</b>

<b>⚠ IMPORTANT:</b>
<b>VENT-FREE HEATERS ADD MOISTURE TO AIR. ALTHOUGH THIS IS BENEFICIAL, INSTALLING HEATER IN ROOMS WITHOUT ADEQUATE VENTILATION MAY CAUSE MILDEW TO FORM FROM TOO MUCH MOISTURE.</b>

<b>⚠ WARNING:</b>
<b>ANY CHANGE TO THIS HEATER OR ITS CONTROLS CAN BE DANGEROUS.</b>

<b>⚠ WARNING:</b>
<b>FAILURE TO KEEP PRIMARY AIR OPENING(S) OF THE BURNER(S) CLEAN MAY RESULT IN SOOT AND PROPERTY DAMAGE.</b>

<b>⚠ WARNING:</b>
<b>DO NOT ALLOW FANS TO BLOW DIRECTLY INTO FIREPLACE. AVOID ANY DRAFTS THAT ALTER BURNER FLAME PATTERNS.</b>

<b>⚠ WARNING:</b>
<b>DO NOT USE A BLOWER INSERT, HEAT EXCHANGER INSERT OR OTHER ACCESSORY NOT APPROVED FOR USE WITH THIS HEATER.</b>

NOTE: When burning any unit or appliance that combusts fuel for heat, such as coal, oil, wood or natural and (L.P.) liquid petroleum gas, we highly recommend the use of smoke and carbon monoxide detectors in your home.

### **CARBON MONOXIDE POISONING**

Early signs of carbon monoxide poisoning are similar to the flu with headaches, dizziness, and/or nausea. If you have these signs, the stove may not have been installed properly. Get fresh air at once! Have the stove inspected and serviced by a qualified service person. Some people are more affected by carbon monoxide than others. These include pregnant women, people with heart or lung disease or anemia, those under the influence of alcohol, and those at high altitudes. Propane/LP gas and natural gas are both odorless. An odor-making agent is added to each of these gases. The odor helps you detect a gas leak. However, the odor added to these gases can fade. Gas may be present

even though no odor exists. Make certain you read and understand all warnings. Keep this manual for reference. It is your guide to the safe and proper operation of this stove.

**▲ CAUTION:**

**STRONG DRAFTS, SUCH AS A CEILING FAN PLACED DIRECTLY IN FRONT OF THE HEATER (PULLING FROM EITHER DIRECTION) MAY CREATE SOOTING. SOOTING WILL DISCOLOR WALLS.**

1. The installation must conform with local codes or in the absence of local codes, with National Fuel Gas Code, ANSI Z223.1/NFPA54. NOTE: See the "Producing Adequate Air For Combustion And Ventilation" section of this manual. Never install this heater:
  - In a recreational vehicle, bathroom, bedroom or any other sleeping quarters.
  - Where curtains, furniture, clothing or other flammable objects are less than 24" from the front of the heater
  - In high traffic areas or in windy areas
2. Two models are available. One specific model for propane (LP) and one for natural gas. Use the correct type of gas for your home. Do not convert from one gas type to another.
3. If this heater is used with propane gas, do not place propane supply tank(s) inside any structure.
4. What To Do IF You Smell Gas:
  - Shut off the gas supply.
  - Do not try to light any appliance.
  - Do not touch any electrical switch; do not use any phone in your building.
  - Immediately call your gas supplier from a neighbor's phone. Follow the gas supplier's instructions.
  - If you cannot reach your gas supplier, call the fire department.
5. When operated for the first time, logs may emit a "paper burning" smell. This smell will gradually diminish and will be totally eliminated after the first few hours of operation. Run gas logs with flue damper open during this time. Do not use blower at this time.
6. This heater shall not be installed in unusually tight construction unless provisions are provided for adequate combustion and ventilation air (see "Producing Adequate Air For Combustion And Ventilation" section of this manual).
7. The surface of gas logs becomes very hot when operating. Keep children and adults away from the hot surface. Gas logs will remain hot for sometime after shutdown. Allow the surface to cool before touching.
8. Do not place clothing or other flammable material on or near the appliance.
9. If equipped, fresh air damper must be closed.
10. Keep the appliance area clean and free from combustible materials, gasoline, and other flammable vapors and liquids.
11. If burner shuts off, do not relight until you provide fresh outside air. If the burner continues to shut off, have the unit serviced.
12. Do not use this heater if any part has been under water. Immediately call a qualified service technician to inspect room heater and to replace any part of the control system and any gas control which has been under water.
13. Turn off the heater and let cool before servicing.
14. These logs are made of bonded fiber. When removing logs and base, do not damage the bonded material. If the material is damaged extensively, loose fiber dust could be emitted into the air.
15. Any safety screen or guard removed for servicing an appliance must be replaced before operating heater.
16. This appliance is intended for supplemental heating.
17. Installation and repairs should be performed by a qualified service person. The appliance should be inspected before use and at least annually by a professional service person. More frequent cleaning may be required due to excessive lint from carpeting, bedding material, etc. It is imperative that the control compartments, burners and circulating air passageways of the appliance be kept clean.
18. All heater screens must be kept closed when operating gas logs.

19. Do not use this heater for burning trash or cooking. Never place matches, paper, garbage or any other material on top of logs or into the flames.
20. Do not install or operate this heater in areas where impurities in air exist (such as tobacco smoke or heavy cooking grease). Particles from impurities may discolor walls.
21. Due to high temperatures, appliance should be located out of traffic and away from furniture and draperies.
22. Children and adults should be alerted to hazards of high surface temperature and should stay away to avoid burns or clothing ignition.
23. Young children should be carefully supervised when they are in same room with appliance.
24. An unvented room heater having an input rating of more than 10,000 Btu per hour shall not be installed in a bedroom or bathroom.
25. The appliance and its appliance main gas valve must be disconnected from gas supply piping system during any pressure testing of that system at test pressure in excess of 1/2 psi (3.5 kPa).
26. The appliance must be isolated from gas supply piping system by closing its equipment shutoff valve during any pressure testing of gas supply piping system at test pressures equal to or less than 1/2 psi (3.5 kPa).
27. A fireplace screen must be in place when appliance is operating and unless other provisions for combustion air are provided, screen shall have an opening(s) for introduction of combustion air.

The fireplace needs to be prepared before installing the heater.

- A. Turn off the gas supply to the fireplace.

**⚠ WARNING:**

**BEFORE INSTALLING IN A SOLID-FUEL BURNING FIREPLACE, CHIMNEY FLUE AND FIREBOX MUST BE CLEANED OF SOOT, CREOSOTE, ASHES AND LOOSE PAINT BY A QUALIFIED CHIMNEY CLEANER.**

**⚠ WARNING:**

**ANY OUTSIDE AIR DUCTS AND/OR ASH DUMPS IN FIREPLACE SHALL BE PERMANENTLY CLOSED AT TIME OF APPLIANCE INSTALLATION.**

- B. Read the following sections before installing your unit; Installation In A Solid-Fuel Burning Fireplace, and Producing Adequate Air For Combustion And Ventilation.

**⚠ WARNING:**

**CUTTING ANY SHEET-METAL PARTS OF SOLID FUEL BURNING FIREPLACE OR LISTED VENTLESS FIREBOX ENCLOSURE IN WHICH UNVENTED FIREPLACE INSERT IS TO BE INSTALLED IS PROHIBITED.**

NOTE: IF FACTORY BUILT FIREPLACE HAS NO GAS ACCESS HOLE(S) PROVIDED, AN ACCESS HOLE OF 1.5 inch (37.5mm) DIAMETER OR LESS MAY BE DRILLED THROUGH LOWER SIDES OR BOTTOM OF FIREBOX IN A PROPER WORKMANLIKE MANNER. THIS ACCESS HOLE MUST BE PLUGGED WITH NON-COMBUSTIBLE INSULATION AFTER GAS SUPPLY LINE HAS BEEN INSTALLED. REFRACTORY, GLASS DOORS, SCREEN RAILS, SCREEN MESH, AND SOLID-FUEL LOG GRATES (IF APPLICABLE) CAN BE REMOVED FROM FIREPLACE BEFORE INSTALLING UNVENTED FIREPLACE INSERT.

This is an unvented gas-fired heater. It uses air (oxygen) from room in which it is installed. Provisions for adequate combustion and ventilation air must be provided. Refer to the section, "Producing Adequate Air For Combustion And Ventilation" in this manual. This appliance may be installed in an aftermarket, permanently located, manufactured (mobile) home, where not prohibited by local codes. This appliance is only for use with type of gas indicated on rating plate. This appliance is not convertible for use with other gases.

## CLEARANCES



We recommend that our gas hearth products be installed and serviced by professionals who are certified in the U.S. by the National Fireplace Institute® (NFI) as NFI Gas Specialists.

**US Stove highly recommends your stove be installed by a qualified NFI technician. To find the nearest qualified installer, go to:**

<https://nficertified.org>,

To ensure a safe installation into the masonry or factory-built fireplace, the following instructions must be carefully followed:

1. Sidewall Clearances - Clearance from the side of the fireplace opening to any adjacent combustible wall should not be less than 7" on the right and left side.
2. Ceiling Clearances - The ceiling height should not be less than 24" from the top of the fireplace opening.
3. Mantel Clearances - Clearances from top of the heater to mantel or mantel supports should not be less than 20".

NOTE: See the following sections for installation options: Installation In A Solid-Fuel Burning Fireplace and Installation With Optional Wooden Mantel and Zero Clearance Installation.

**⚠ WARNING:**

**ANY CHANGE TO THIS HEATER OR ITS CONTROLS CAN BE DANGEROUS.**

## GAS CONNECTION

Check gas type. Use only the type of gas indicated on the valve rating plate. If the type of gas listed on the plate is not your type of gas supply, DO NOT INSTALL. Contact your dealer for the proper model. Always use an external regulator for all LP heaters to reduce supply tank pressure to a maximum of 13" W.C. This is in addition to regulator furnished with heater.

**⚠ WARNING:**

**CONNECTION DIRECTLY TO AN UNREGULATED LP TANK CAN CAUSE AN EXPLOSION.**

Normal gas connection is 3/8" N.P.T. made at the left rear side of the appliance (facing front of the appliance). NOTE: The connecting pipe must be internally tinned copper tubing for use with natural gas. Test for leaks using a solution of soap and water after completing the connection. DO NOT USE OPEN FLAME.

**⚠ WARNING:**

**INSTALLATION AND REPAIRS SHOULD BE PERFORMED BY A QUALIFIED SERVICE PERSON. THE APPLIANCE SHOULD BE INSPECTED BEFORE USE AND AT LEAST ANNUALLY BY A PROFESSIONAL SERVICE PERSON. MORE FREQUENT CLEANING MAY BE REQUIRED DUE TO EXCESSIVE LINT FROM CARPETING, BEDDING, MATERIAL, ETC. IT IS IMPERATIVE THAT CONTROL COMPARTMENTS, BURNERS AND CIRCULATING AIR PASSAGEWAYS OF APPLIANCE BE KEPT CLEAN.**

## AFTER MARKET MOBILE HOME INSTALLATION

NOTE: See "Producing Adequate Air For Combustion And Ventilation" section of this manual.

THIS APPLIANCE MAY BE INSTALLED IN AN AFTERMARKET\*, PERMANENTLY LOCATED, MANUFACTURED (MOBILE) HOME, WHERE NOT PROHIBITED BY LOCAL CODES.

\*After Market: Completion of sale, not for purpose of resale from the manufacturer.

THIS APPLIANCE IS ONLY FOR USE WITH TYPE OF GAS INDICATED ON RATING PLATE. THIS APPLIANCE IS NOT CONVERTIBLE FOR USE WITH OTHER GASES.

NOTE: For a mobile home installation follow the "Installation" sections in this manual.

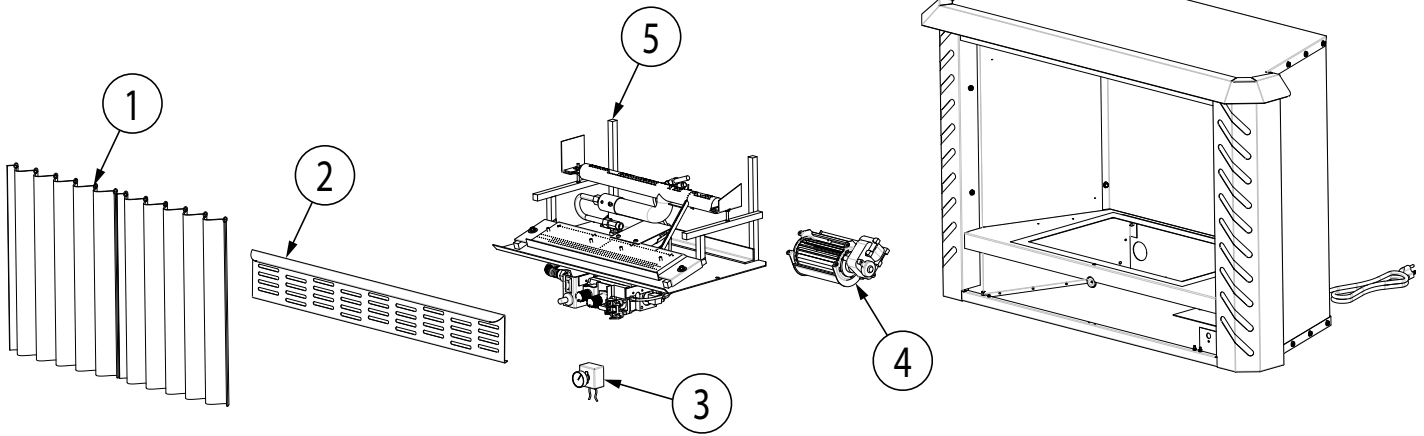
NOTE: See "Producing Adequate Air for Combustion And Ventilation" section of this manual.



## PART ASSEMBLY OVERVIEW

Part Description	
1	Screen
2	Access Door
3	Rheostat With Knob

Part Description	
4	80 CFM Blower
5	Burner Assembly



### LOG SET PLACEMENT

Although your gas logs are very realistic in appearance, it is not a real burning fireplace and must not be used for burning rejected material.

- To avoid irreparable damage to the heater or personal injury, matches, paper, garbage or any other material must not be placed or thrown on top of logs or into flames.
- To avoid personal injury, do not touch hot surfaces when the heater is operating.
- Close supervision is necessary when the heater is being operated near children.

**⚠ WARNING:**  
**POSITIONING OF LOGS IS VERY CRITICAL SEE LOG DIAGRAM**

**⚠ WARNING:**  
**THE LOGS ARE MANUFACTURED FROM BONDED CERAMIC FIBER. THIS IS A COMMONLY USED MATERIAL IN INDUSTRY WORLDWIDE. IN EVENT THAT A LOG SHOULD BE REMOVED, CARE SHOULD BE TAKEN NOT TO DAMAGE BONDED MATERIAL. INTENTIONAL MISUSE OR DELIBERATELY FRAGMENTING MATERIAL COULD LEAD TO INHALING FIBERS AND BE HAZARDOUS TO YOUR HEALTH.**

**⚠ WARNING:**

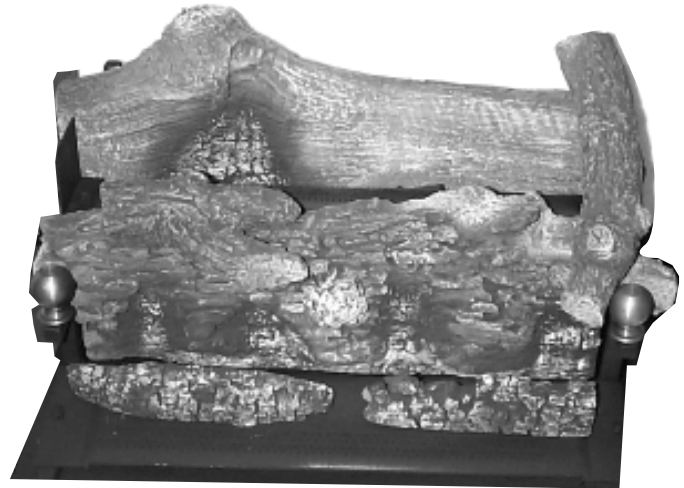
- **THIS HEATER IS INTENDED FOR USE AS A GAS HEATER FIREPLACE AS DESCRIBED IN THESE INSTRUCTIONS. IT SHOULD NOT BE USED FOR ANY OTHER PURPOSE.**
- **FAILURE TO POSITION PARTS IN ACCORDANCE WITH THESE DIAGRAMS OR FAILURE TO USE ONLY PARTS SPECIFICALLY APPROVED WITH THIS HEATER MAY RESULT IN PROPERTY DAMAGE OR PERSONAL INJURY.**

(#1) Rear Log, (#2) Middle Log, (#3) Left Front Log, (#4) Right Front Log, (#5) Left Top Middle Log, (#6) Right Top Middle Log, (#7) Glowing Embers in front of #3 & #4 logs.

**IMPORTANT:** Place log five on the left and log six on the right. If they are not properly installed they will be loose and may cause damage to the appliance.

1. Place rear log #1 on rear log supports. The log has alignment notches on each rear corner.

2. Place Middle log #2 in front of rear burner tube and then move log forward. The log should seat just behind brass knob(s), located in the middle section of the base between rear burner tube and front burner pan.
3. Place Left Top Middle log #5 on pins located on the left top section of Middle log #2.
4. Place Right Top Middle log #6 on pin located on the right top section of Middle log #2 and align the notch on right side #6 with side shield on right.
5. Place Left Front log #3 on locator pins located on the left middle section of the front burner pan.
6. Place Right Front log #4 on locator pins located on the right middle section of the front burner pan.
7. Provided with your log set is a package of Glowing Embers (rock wool). Open the package and tear off small pieces of wool material and place it over small holes (ports) located on the front burner pan in front of logs #3 and #4. Cover the entire section of holes (ports). \*Replacement of loose (Glowing Wool) must be purchased from the original manufacturer and application of excess loose material may adversely affect the performance of the heater.



\* LOG SET PART NUMBER 892464

## GAS PRESSURE CHECK

Check inlet pressure to the burner to ensure that it is as shown in the table below.

NOTE: The pressure checkpoint is located on the right side of the valve facing burner, for SIT Millivolt.

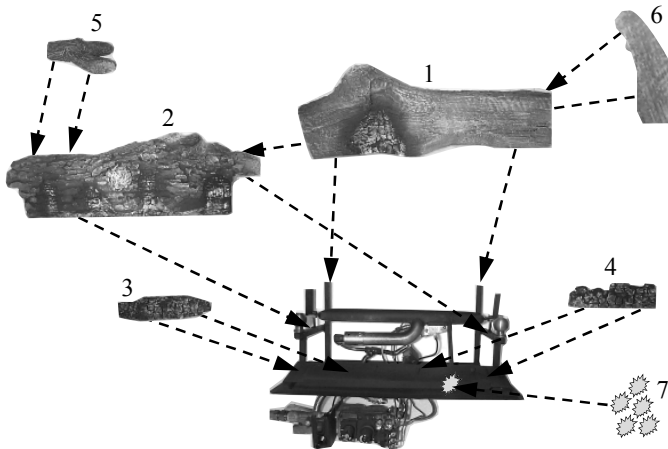
The appliance and its main gas valve must be disconnected from the gas supply piping system during any pressure testing of that system at test pressures in excess of 1/2 psi (3.5kPa). The appliance must be isolated from the gas supply piping system by closing its equipment shut-off valve during any pressure testing of gas supply piping system at test pressures equal to or less than 1/2 psi (3.5 kPa).

Gas Type		Natural	LP
Maximum Heat Input		33,000	33,000
Minimum Heat Input		23,000	23,000
Gas Inlet Pressure	Max	10.5" W.C.	13" W.C.
	Min	5.0" W.C.	11" W.C.
Manifold Pressure	Max	3.5" W.C.	10.0" W.C.
	Min	3.0" W.C.	8.2" W.C.

NOTE: On initial installation, it may be necessary to bleed out the air in the gas lines. Do this by holding the control knob and turning the knob to the "Pilot" position for about 30 seconds. To check the regulator pressure, remove the pressure tag plug at the left side of the regulator facing the heater. The pressure should be checked with the heater burning and the

NOTE: Wash your hands immediately after coming in contact with wool material. The wool can cause slight itching or burning in some cases, avoid any contact with eyes.

**▲ WARNING:**  
**ALL PREVIOUSLY APPLIED LOOSE MATERIAL MUST BE REMOVED PRIOR TO REPLACEMENT.**



control set on high. After measuring the pressure, replace the pressure tap plug, ensuring that there are no leaks.

- For the purpose of minimum input adjustment.

**⚠ WARNING:**

**THIS APPLIANCE IS EQUIPPED FOR (NATURAL OR PROPANE) GAS. FIELD CONVERSION IS NOT PERMITTED.**

Solid fuels shall not be burned in the same fireplace where an unvented room heater has been installed.

NOTE: The following label has been provided with this appliance and must be read and then attached to the floor of the fireplace or firebox area beneath the appliance. Peel and stick the label. Make sure the area is cleaned before attaching the label to it.

**⚠ WARNING:**

**THIS SOLID-FUEL BURNING FIREPLACE OR LISTED VENTLESS ENCLOSURE HAS BEEN CONVERTED FOR USE WITH AN UNVENTED FIREPLACE INSERT ONLY. A SOLID-FUEL BURNING FIREPLACE CANNOT BE USED FOR BURNING WOOD OR SOLID FUELS UNLESS ALL ORIGINAL PARTS HAVE BEEN REPLACED AND FIREPLACE RE-APPROVED BY THE AUTHORITY HAVING JURISDICTION. A VENTLESS FIREBOX ENCLOSURE CANNOT BE USED WITH AN UNVENTED GAS LOG UNLESS ALL ORIGINAL PARTS HAVE BEEN REPLACED AND VENTLESS FIREBOX ENCLOSURE REAPPROVED BY AUTHORITY HAVING JURISDICTION.**

Before operating this appliance, proceed through the following checklist.

1. Read and understand these instructions before operating this appliance.
2. Check that there are no gas leaks. If you smell gas do not attempt to light this appliance.
3. Verify that log placement is correct.

**⚠ WARNING:**

**ANY CHANGE TO THIS HEATER OR ITS CONTROLS CAN BE DANGEROUS.**

**⚠ WARNING:**

**IF YOU DO NOT FOLLOW THESE INSTRUCTIONS EXACTLY, A FIRE OR EXPLOSION MAY RESULT CAUSING PROPERTY DAMAGE, PERSONAL INJURY OR LOSS OF LIFE.**

## LIGHTING INSTRUCTIONS SIT-MILLIVOLT VALVE FOR YOUR SAFETY READ BEFORE LIGHTING

- A. When lighting the pilot follow these instructions exactly. If piezo fails, then light pilot using matches. Refer to Manual Lighting Instructions.
- B. BEFORE LIGHTING smell all around the appliance area for gas. Be sure to smell next to the floor because some gas is heavier than air and will settle to the floor.

## WHAT TO DO IF YOU SMELL GAS

- Do not try to light any appliance.
  - Do not touch any electric switch; do not use any phone in your building.
  - Immediately call your gas supplier from a neighbor's phone. Follow the gas supplier's instructions.
  - If you cannot reach your gas supplier, call the fire department.
- C. Use only your hand to push in or turn the gas knob. Never use tools. If the knob will not push in or turn by hand, don't try to repair it. Call a qualified service technician. Force or attempted repair may result in a fire or explosion.
  - D. Do not use this appliance if any or part of it has been under water. Immediately call a qualified service technician to inspect the appliance and

to replace any part of the control system and any gas control which has been under water.

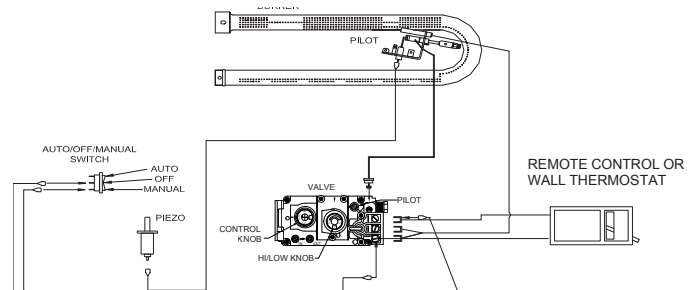
**⚠ WARNING:**

**FIREPLACE SCREENS MUST BE CLOSED WHILE THE APPLIANCE IS IN OPERATION.**

## LIGHTING INSTRUCTIONS

1. STOP! Read all safety information.
2. Make sure the manual shutoff valve is fully closed. If equipped with a thermostat, set it to the lowest setting.
3. Turn off all electrical power to the appliance.
4. Open access door located at the bottom front of the appliance.
5. Push in gas control knob slightly and turn clockwise to the "Off" position.

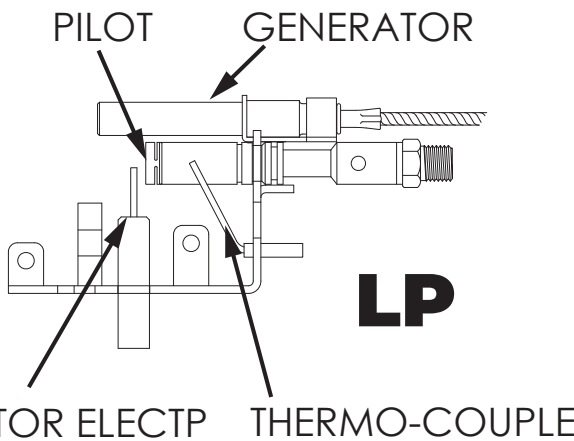
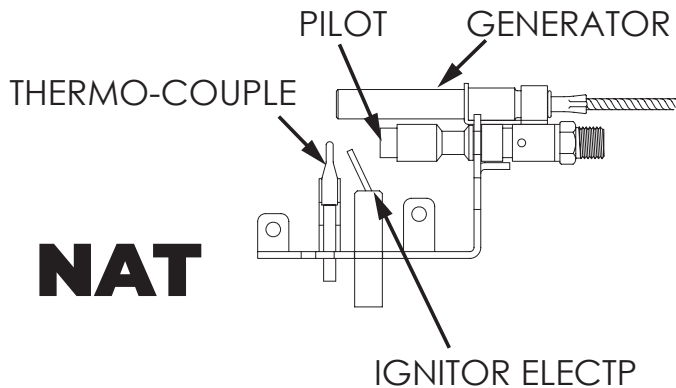
NOTE: Knob cannot be turned from "Pilot" to "Off" unless knob is pushed in slightly. Do not force.



6. Wait (5) five minutes to clear out any gas. Then smell for gas, including near the floor. If you smell gas, STOP! Follow "B" in the safety information section of this manual. If you don't smell gas, go to the next step.
7. The pilot is located in front of the rear log and burner on the right-hand side of the appliance. Fully open the manual shutoff valve.
8. Press in and turn the knob on gas control counterclockwise to "PILOT" and continue pressing in knob for (15) fifteen seconds.
9. With the control knob pressed in, push down (in) and release the ignitor button (ignitor button is located on the front left-hand side of the appliance). This will light the pilot. If needed, keep repeating this step until pilot lights.
10. Keep the control knob pressed in for (1) one minute after lighting pilot. After (1) minute,

release the control knob and it will pop back up. The pilot should remain lit. If the pilot goes out, repeat steps 1 through 9.

- If knob does not pop up when released, stop and immediately call your service technician or gas supplier.
- If the pilot will not stay lit after several tries, turn the gas control knob to the "Off" position and call your services technician or gas supplier.



11. Turn the control knob counterclockwise to "On".
12. If using the unit without a wall thermostat place the Off/Manual (Off/Man) switch into the manual position. If using a wall thermostat place Auto/Off /Manual (Man) switch to the "Auto" or "Off" position and place thermostat to a setting higher than the room's temperature.
13. Close access cover door.
14. Turn on all electrical power to the appliance.
15. Your heater is equipped with a Hi & Lo control. Turn clockwise for Low and counterclockwise for High.
16. Close the access cover door.

## TO TURN OFF GAS TO APPLIANCE

**⚠ CAUTION:**

**DO NOT TRY TO ADJUST HEATING LEVELS BY USING MANUAL SHUTOFF VALVE.**

### SHUTTING OFF UNIT

1. Open access cover door.
2. If equipped with a thermostat set to the lowest setting.
3. Turn the control knob fully clockwise to the "Off" position.
4. Turn off all electric power to the appliance if service is to be performed.
5. Close access cover door

### SHUTTING OFF BURNER ONLY (Pilot stays lit.)

1. Turn control knob clockwise to the "Pilot" position.

**⚠ CAUTION:**

**HOT WHILE IN OPERATION. DO NOT TOUCH. KEEP CHILDREN, CLOTHING, FURNITURE, GASOLINE AND OTHER LIQUIDS HAVING FLAMMABLE VAPORS AWAY.**

**⚠ CAUTION:**

**DO NOT TRY TO ADJUST HEATING LEVELS BY USING MANUAL SHUTOFF VALVE.**

**⚠ WARNING:**

**IMPROPER INSTALLATION, ADJUSTMENT, ALTERATION, SERVICE OR MAINTENANCE CAN CAUSE PROPERTY DAMAGE, PERSONAL INJURY OR LOSS OF LIFE. REFER TO THE OWNER'S INFORMATION MANUAL PROVIDED WITH THIS APPLIANCE. INSTALLATION AND SERVICE MUST BE PERFORMED BY A QUALIFIED INSTALLER, SERVICE AGENCY OR GAS SUPPLIER.**

**⚠ IMPORTANT:**

**ALWAYS OPERATE THE APPLIANCE AT COMPLETELY "ON" OR COMPLETELY "OFF" POSITIONS. NEVER USE THE HEATER AT A SETTING BETWEEN THESE POSITIONS AS THIS CAN RESULT IN IMPROPER COMBUSTION AND EXCESSIVE CARBON MONOXIDE EMISSIONS.**

## MANUAL LIGHTING PROCEDURE

If the pilot will not light using the piezo ignitor, you can light the pilot with a long neck lighter.

1. Locate The Pilot: follow the metal tube from the gas control. The pilot is located behind the rear burner tube and in front of the rear log.
2. Press in and turn the gas control knob counterclockwise to the "PILOT" position.
3. Light the lighter and place it near the pilot.
4. Once the pilot is lit, continue to hold the knob for (15) fifteen seconds.
5. Follow steps 8 through 10 of the "Lighting instructions".

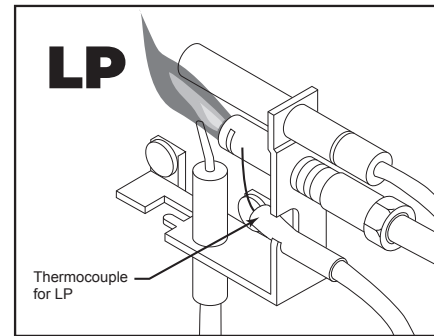
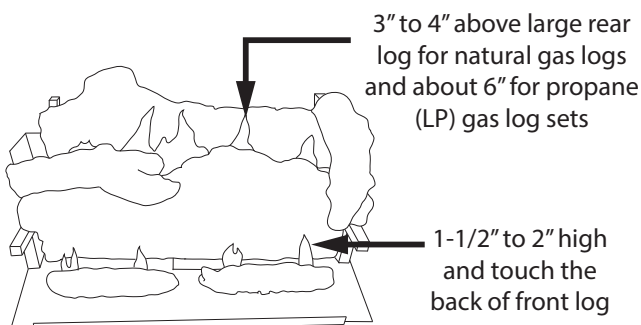
NOTE: This unit may be used with an optional wall thermostat. If so, the wall thermostat needs to be set at a higher temperature than the room temperature.

## FLAME CHECK

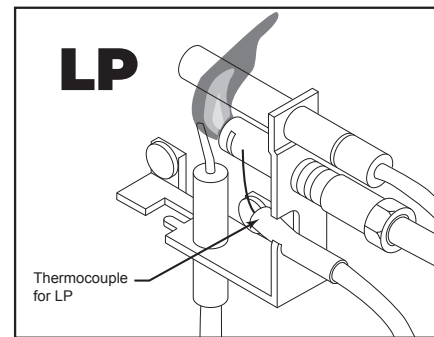
A periodic check of the flames should be made. The pilot flame should always be present when gas logs are in operation.

**Rear Flames:** The flames at the rear or at either side of the top log should be a very similar yellow color, and should be about 3" to 4" above large rear log for natural gas logs and about 6" for propane (LP) gas log sets.

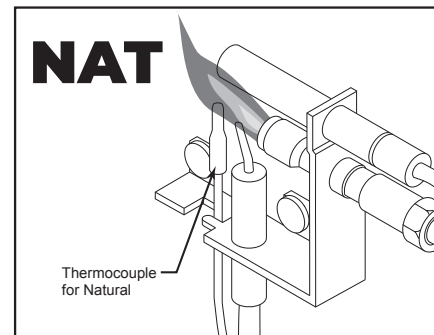
**Front Flame:** The flame should be 1-1/2" to 2" high and touch the back of the front log. This will produce a red glow on this log.



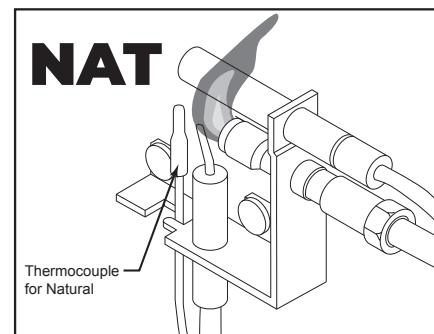
*Correct Pilot Flame Appearance*



*Incorrect Pilot Flame Appearance*



*Correct Pilot Flame Appearance*



*Incorrect Pilot Flame Appearance*

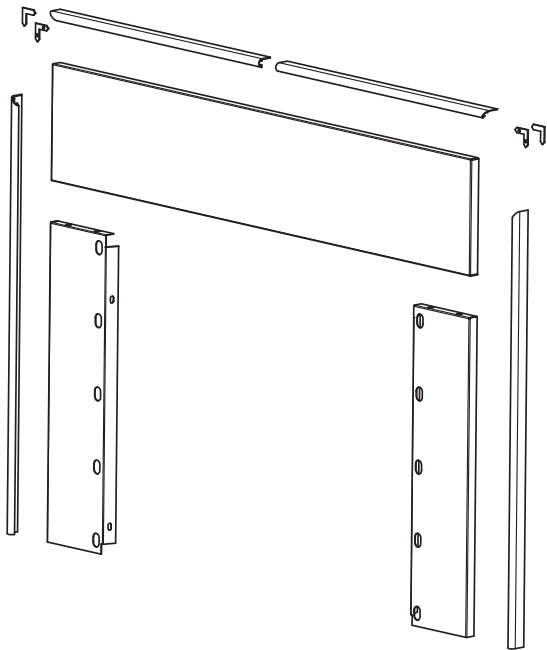
# OPTIONAL KITS

There are optional kits available for your stove. These are listed below:

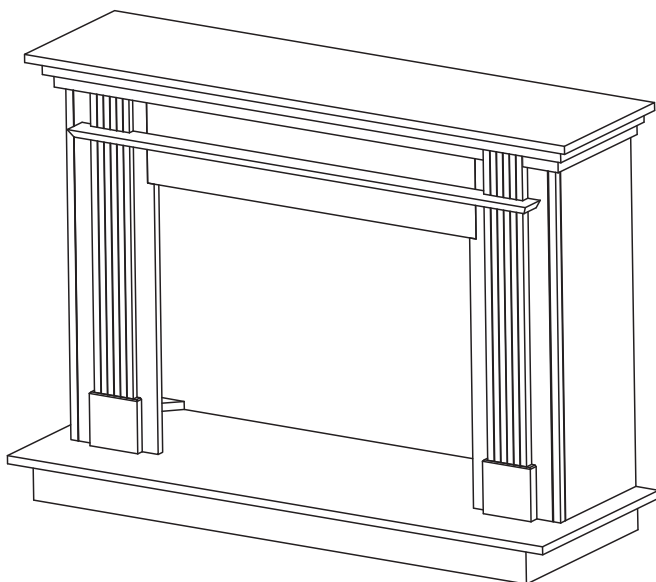
- Insert Fireplace Facade
- Wooden Surround
- Brick Panel Kit
- Stainless Steel Kit

For more information on these kits contact your local representative or appliance manufacture.

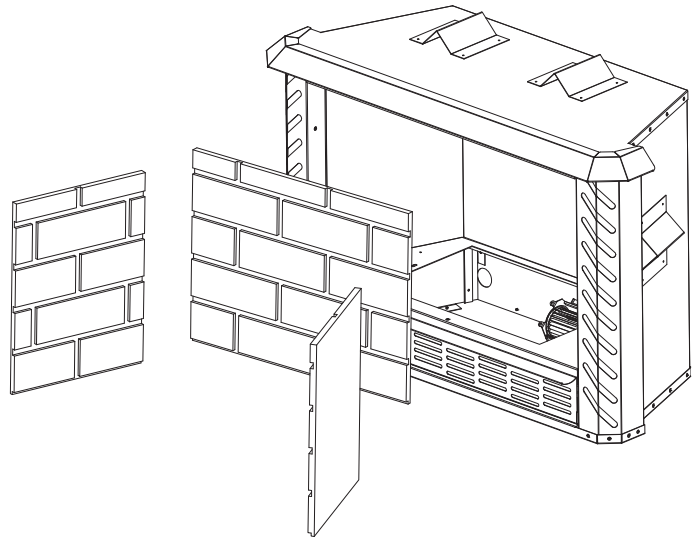
## AG34IK INSERT KIT



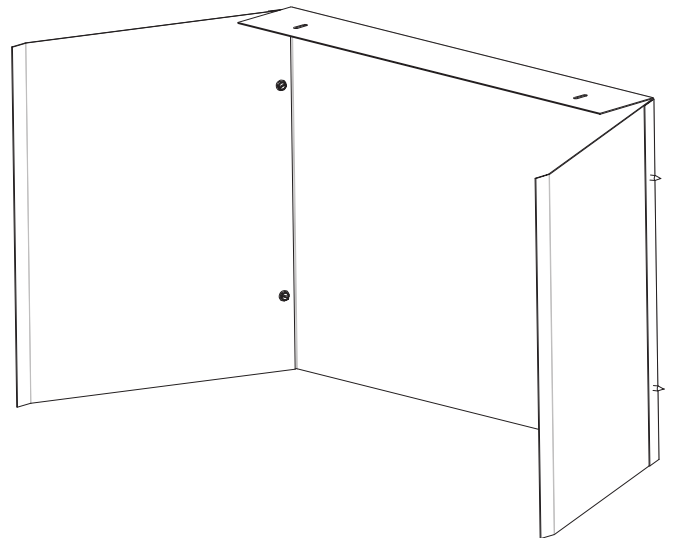
## AG34MK MANTEL KIT



## AG34BK BRICK INSERT KIT



## AG34SK STAINLESS STEEL KIT



## SOLID FUEL BURNING FIREPLACES INSTALLATION

This model may be installed in a masonry fireplace. The figure below demonstrates the required dimensions.

NOTE: See "Producing Adequate Air for Combustion And Ventilation" section of this manual.

NOTE: Installer of this appliance must mechanically (peel and stick) attach marking supplied with this unvented appliance before installing to inside of firebox of solid-fuel burning fireplace or listed ventless firebox enclosure into which unvented fireplace insert is installed (see the "Gas Pressure Check" section of this manual).

**⚠ CAUTION:**

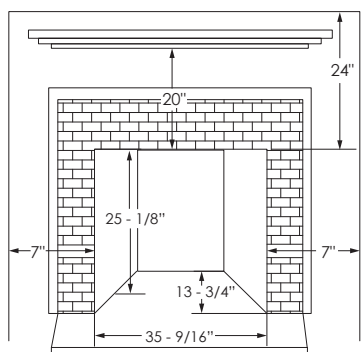
**CUTTING ANY SHEET-METAL PARTS OF A SOLID-FUEL BURNING FIREPLACE OR LISTED VENTLESS ENCLOSURE IN WHICH AN UNVENTED FIREPLACE IS TO BE INSTALLED IS PROHIBITED.**

NOTE: If the factory-built fireplace has no gas access hole(s) provided, an access hole of 1.5" (37.5) diameter or less may be drilled through lower sides or bottom of firebox in a proper workmanlike manner. This access hole must be plugged with non-combustible insulation after the gas supply line has been installed.

Refractory, glass doors, screen rails, screen mesh, and solid-fuel log grates (if applicable) can be removed from the fireplace before installing an unvented fireplace insert.

NOTE: After the unit is positioned in the fireplace, mark the trim panels as follows:

- A. Set the side panels in place, flat against the fireplace. Mark a line down the inside edge of the trim panel to make a vertical reference line.



**⚠ CAUTION:**

**TRIM PANELS OR SURROUNDS SHALL NOT SEAL VENTILATION OPENINGS IN THE FIREPLACE.**

**⚠ ATTENTION:**

**SMOKE SHELVES, SHIELDS, AND BAFFLES MAY BE REMOVED IF ATTACHED BY MECHANICAL FASTENERS.**

## ZERO CLEARANCE INSTALLATION

The installation must conform with local codes or in the absence of local codes, with National Fuel Gas Code, ANSI Z223.1/NFPA54.

This appliance may be installed in an After-Market\* Manufactured (Mobile) Home, where not prohibited by state or local codes.

**\* (After Market: Completion of sale, not for purpose of resale from manufacturer).**

This appliance is only for use with the type of gas indicated on the certification plate. This appliance is not convertible for use with other gases.

NOTE: See "Producing Adequate Air For Combustion And Ventilation"

## CHOOSING THE LOCATION FOR YOUR FIREPLACE

The provided figures show some of the many ways your fireplace may be installed. Consider traffic patterns in your room and location of doors and windows. Moving air from ceiling fans, open doors, and hot air grills may cause flames to soot. If a disturbance is found that affects flames, it must be eliminated by turning off the ceiling fan, closing door or closing or moving hot air register. A corner location may be best where space is limited.

Your fireplace weighs no more than some of your fine furniture. If the fireplace is located near a load-bearing wall, additional supports to the foundation will not be necessary. HEAVY FACINGS, SUCH AS BRICK, STONE, ETC., MAY REQUIRE ADDITIONAL FOUNDATION SUPPORT.

NOTE: If this appliance is installed directly on carpeting, tile or other combustible material, other than wood flooring, the appliance shall be installed on a metal or wood panel extending full width and depth of the appliance.



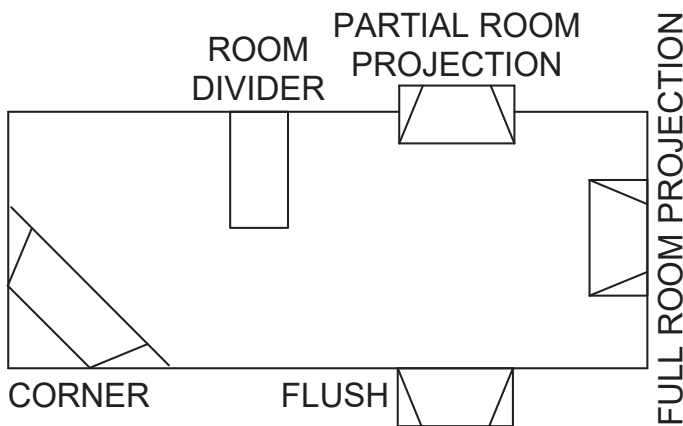
The Manufacturers Trim Kit must be used for Zero Clearance Installation. See the "Insert Fireplace Facade Installation" section of this manual for fireplace installations.

## GAS LINE

The gas supply line and electrical supply must be installed before framing in the fireplace by a licensed installer.

## DRAFTS

Do not locate the fireplace in high traffic areas or areas exposed to high drafts and winds. Locate the fireplace away from furniture and draperies.



**⚠ WARNING:**  
**SOLID-FUELS SHALL NOT BE BURNED IN A FIREPLACE IN WHICH AN UNVENTED ROOM HEATER IS INSTALLED.**

**⚠ CAUTION:**  
**ANY OUTSIDE AIR DUCTS AND/OR ASH DUMPS IN THE FIREPLACE SHALL BE PERMANENTLY CLOSED AT TIME OF APPLIANCE INSTALLATION.**

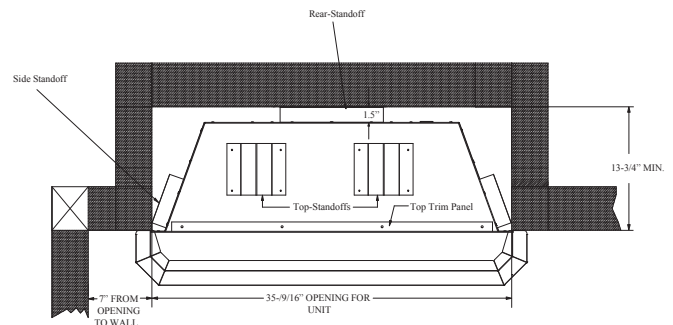
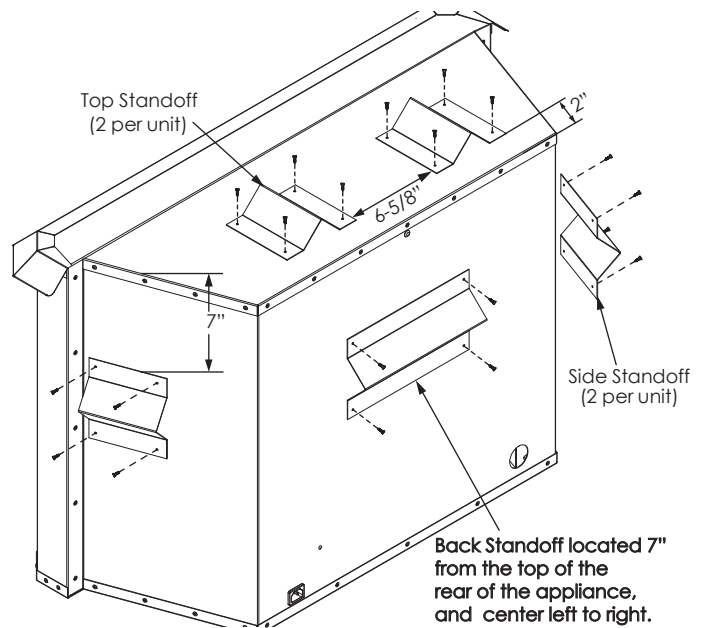
**⚠ WARNING:**  
**BEFORE INSTALLING IN A SOLID-FUEL BURNING FIREPLACE, THE CHIMNEY FLUE AND FIREBOX MUST BE CLEANED OF SOOT, CREOSOTE, ASHES AND LOOSE PAINT BY A QUALIFIED CHIMNEY CLEANER.**

## ZERO CLEARANCE STANDOFF(S) ASSEMBLY

NOTE: All Standoff must be attached to the appliance before installing as a Zero Clearance appliance.

Follow the instructions given in the diagrams below exactly.

NOTE: If installing with the mantel kit refer to the instructions included with the mantel kit for correct installation.



## FIREPLACE CLEARANCES (ZC)

The stove may be placed directly on a combustible floor, against a combustible wall at marked clearances or on a raised wooden platform. If the stove is to be installed on a raised wooden platform, the platform must be a continuous level surface. The fireplace must be secured in place so it cannot shift positions. Only header (see below)

may rest on standoffs on top of the firebox. When the firebox is installed over carpeting, vinyl tile, or any combustible material other than wood flooring, it must be installed on a metal or wood panel extending its full width and depth. Alternatively, carpeting, vinyl tile, etc. may be removed beneath the unit before installing.

## INSTALLING FIREBOX (ZC)

This list of specific instructions will help you make certain that every installation operation is performed correctly. Complete installation steps in the sequence shown.

LOCAL BUILDING CODES SHOULD BE CONSULTED IN ALL CASES AS TO PARTICULAR REQUIREMENTS CONCERNING INSTALLATION OF FACTORY BUILT FIREPLACES. Select location for fireplace by taking into consideration factors previously outlined in "Choosing the Location."

## FRAMING FIREBOX

Width of the framed opening must be as shown in the adjacent figures. The entire fireplace can be elevated above the floor to achieve a raised hearth effect. This can be done by adding a small platform to achieve the desired height. NOTE: Wiring for lower blower must be installed during the framing stage. Insulation should be used in framing on the back, sides, and top.

## INSTALL FIREBOX

Install the firebox into the framed opening by placing it directly in front of the opening and sliding it into the proper position. Please follow the wooden surround instructions (see Zero Clearance standoff(s) Assembly" section of this manual).

## LEVEL FIREBOX

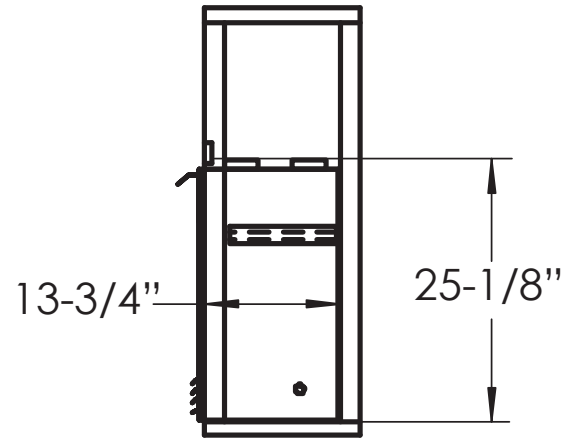
Check the level of the firebox on the top edge of the fireplace face. Shim if necessary.

COMBUSTIBLE MATERIALS MUST NOT BE INSTALLED OVER OR TOUCH ANY BLACK-PAINTED SURFACE. DO NOT BLOCK HEAT CIRCULATING AIR OUTLETS. DOING SO MAY RESULT IN POTENTIAL FIRE HAZARDS.

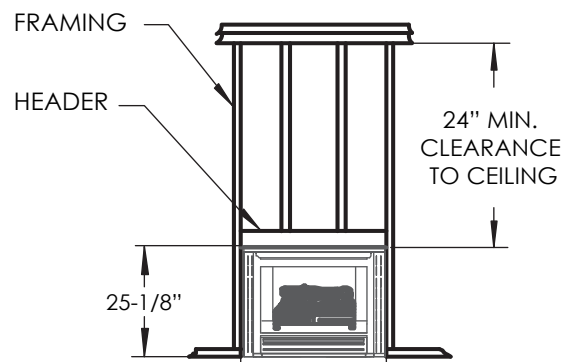
1. Sidewall Clearances: Clearances from the side of the fireplace opening to any adjacent combustible must be as shown in the figures below.

2. Ceiling Clearances: There is a minimum clearance from the top of the unit to the ceiling that must be as shown in the figures below.

SIDE VIEW



FRONT VIEW



### ⚠ WARNING:

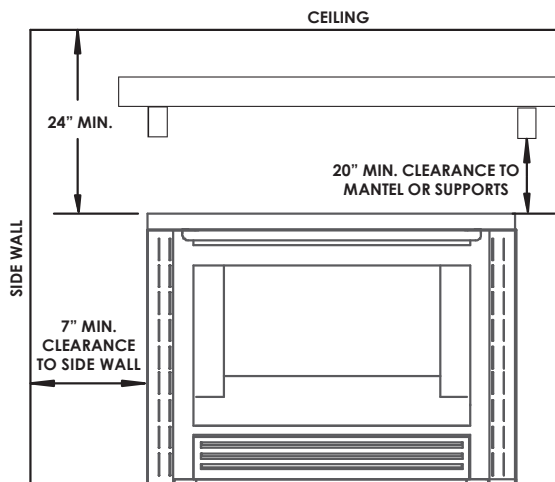
**INSTALLATION AND REPAIRS SHOULD BE PERFORMED BY A QUALIFIED SERVICE PERSON. THE APPLIANCE SHOULD BE INSPECTED BEFORE USE AND AT LEAST ANNUALLY BY A PROFESSIONAL SERVICE PERSON. MORE FREQUENT CLEANING MAY BE REQUIRED DUE TO EXCESSIVE LINT FROM CARPETING, BEDDING MATERIAL, PET HAIR, ETC. IT IS IMPERATIVE THAT CONTROL COMPARTMENTS, BURNERS AND CIRCULATING AIR PASSAGeways OF APPLIANCE BE KEPT CLEAN.**

## FINISHING YOUR FIREPLACE (ZC)

There is a wide variety of finishing material available for your fireplace from formal wall treatments with marble and mantels, to rustic wood paneling, stone or brick. Noncombustible materials used in this installation such as slate, tile, marble, etc. must be at least 1/2" thick. IT IS IMPORTANT THAT BLACK FACE OF FIREPLACE NOT BE COVERED WITH ANY TYPE OF COMBUSTIBLE MATERIAL. Check to see whether man-made brick and stone are made of non-combustible materials before using them on the face of the fireplace. Some of these products contain combustible materials. Combustible wall coverings such as paneling or wall-board may not overlap the black face of the fireplace. Space between wall covering and fireplace should be sealed with a heat resistant material such as glowing wool insulation or mortar. NOTE: An "L" shaped steel lintel must be installed across the top of the firebox opening where facing materials such as brick or stone is used on the face of the firebox. It acts as a support/firestop. It should be attached to the face of the fireplace with screws and sealed to the fireplace with a heat-resistant sealer.

## CLEARANCES (ZC)

To ensure a safe installation, the dimensions of the following figures must be carefully observed.

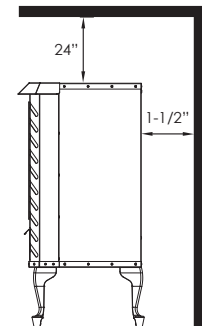
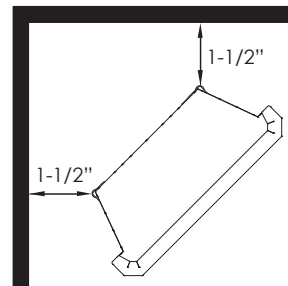
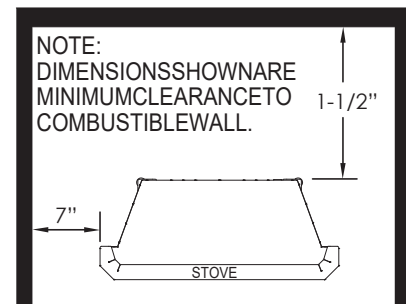


## FREESTANDING INSTALLATION

1. Determine the exact position of your gas heater.

NOTE: Due to high temperatures, this heater should be located out of traffic areas and away from furniture and draperies.

NOTE: For safe installation, the minimum clearances must be met as shown.



Attention: Maintain clearances listed above for any required servicing and for proper operation of this appliance

<p><b>⚠ CAUTION:</b></p> <p><b>THE INSTALLATION MUST CONFORM WITH LOCAL CODES OR IN ABSENCE OF LOCAL CODES, WITH NATIONAL FUEL GAS CODE, ANSI Z223.1/NFPA54.</b></p>
--

NOTE: See the "Gas Connection" section of this manual for Gas Connection and Pressure Check.

1. Make sure you have the right valve for your type of gas. Check the label on side of the valve. Position logs as shown in the "Log Placement" section of this manual. Position screen before leaving the heater unattended.

This appliance is only for use with the type of gas indicated on the rating plate. This appliance is not convertible for use with other gases.

<p><b>⚠ WARNING:</b></p> <p><b>YOUNG CHILDREN SHOULD BE CAREFULLY SUPERVISED WHEN THEY ARE IN THE SAME ROOM WITH THE APPLIANCE. CHILDREN AND ADULTS SHOULD BE ALERTED TO HAZARDS OF HIGH SURFACE TEMPERATURE AND SHOULD STAY AWAY TO AVOID BURNS OR CLOTHING IGNITION.</b></p>
--

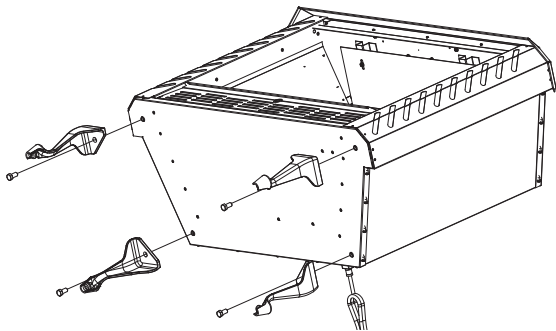
**⚠ WARNING:**

**WHEN THE APPLIANCE IS INSTALLED DIRECTLY ON CARPETING, TILE OR OTHER COMBUSTIBLE MATERIAL, OTHER THAN WOOD FLOORING, THE APPLIANCE SHALL BE INSTALLED ON A METAL OR WOOD PANEL EXTENDING FULL WIDTH AND DEPTH OF THE APPLIANCE.**

## FREESTANDING LEGS INSTALLATION

To make this model free standing using cast legs, follow the instructions below:

1. Place heater on its back.
2. Your heater is equipped with four leg mounting nuts. Place a leg at each nut and secure leg with bolts provided.
3. The legs are equipped with leveling bolts needed for leveling adjustments.
4. Stand heater to the upright position. Place heater in the desired location. At this point, you may want to secure pedestal to floor with screws or an "ell" bracket.
5. Hook up the gas supply line. Check for leaks with mild soapy water (see "Installation Clearances and Gas Connection" section of this manual).



## ALCOVE INSTALLATION

READ ENTIRE MANUAL BEFORE INSTALLING HEATER.

1. For clearances see below. The minimum must be met.
2. For Installation and Gas Hookup Connection (see the "Gas Connection" section of this manual).

**⚠ CAUTION:**

**THE INSTALLATION MUST CONFORM WITH LOCAL CODES OR IN ABSENCE OF LOCAL CODES, WITH NATIONAL FUEL GAS CODE, ANSI Z223.1/NFPA54.**

**⚠ WARNING:**

**DO NOT USE THIS HEATER IF ANY PART HAS BEEN UNDER WATER. IMMEDIATELY CALL A QUALIFIED SERVICE TECHNICIAN TO INSPECT ROOM HEATER AND TO REPLACE ANY PART OF CONTROL SYSTEM AND GAS CONTROL WHICH HAS BEEN UNDER WATER.**

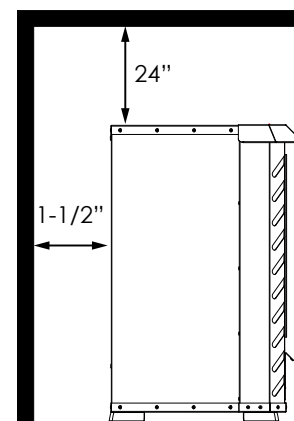
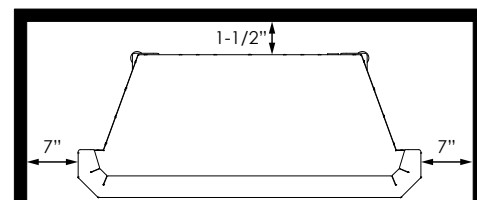
**⚠ WARNING:**

**IMPROPER INSTALLATION, ADJUSTMENT, ALTERATION, SERVICE OR MAINTENANCE CAN CAUSE PROPERTY DAMAGE, PERSONAL INJURY OR LOSS OF LIFE. REFER TO THIS MANUAL.**

**⚠ WARNING:**

**ANY CHANGE TO THIS HEATER OR ITS CONTROLS CAN BE DANGEROUS.**

\*ALL DIMENSIONS ARE MINIMUM TO COMBUSTIBLE WALL



## PRODUCING ADEQUATE AIR FOR COMBUSTION AND VENTILATION

This section is for residential or manufactured (mobile) installation. This heater shall not be installed in unusually tight construction unless provisions are adequate for combustion and ventilation air.

NOTE: This heater shall not be installed in a room or space unless the required volume of indoor combustion air is provided by the method in National Fuel Gas Code, ANSI Z223.1/NFPA 54, the International Fuel Gas Code, or applicable codes.

National Fuel Gas Code, ANSI Z223.1/NFPA 54 defines unusually tight construction or unconfined space as a space whose volume is less than 50 cubic feet per 1,000 BTU per hour (4.8m<sup>3</sup> per kW) of aggregate input rating of all appliances installed in that space and an unconfined space as a space whose volume is not less than 50 cubic feet per 1,000 BTU per hour (4.8m<sup>3</sup> per kW) of aggregate input rating of all appliances installed in that space. Rooms communicating directly with space in which appliances are installed, through openings not furnished with doors, are considered a part of unconfined space. Unusually tight construction is defined as construction where:

- A. Walls and ceilings exposed to the outside atmosphere have a continuous water vapor retarder with a rating of 1 perm (6 x 10<sup>-11</sup>kg per pa-sec-m<sup>2</sup>) or less with openings gasketed or sealed.
- B. Weatherstripping has been added on openable windows and doors.
- C. Caulking or sealants are applied to areas such as joints around window and door frames, between sole plates and floors, between wall-ceiling joints, between wall panels, at penetrations for plumbing, electrical and gas lines and other openings.

NOTE: SOME AREAS IN THE UNITED STATES HAVE HIGHER REQUIREMENTS FOR CUBIC FEET PER 1000 BTU/ HOUR INPUT. (EX. CINCINNATI, OHIO CODES REQUIRE 70 CUBIC FEET). CHECK YOUR LOCAL CODE BEFORE INSTALLATION

## DETERMINING FRESH-AIR FLOW FOR HEATER LOCATION

Determine if you have unusually tight construction or unconfined space. Use this worksheet to determine if you have unusually tight construction or unconfined space. Space: Includes the room in which you will install heater plus adjoining rooms with doorless passageways or ventilation grills between the rooms.

<b>⚠ WARNING:</b>
<b>IF AREA IN WHICH HEATER MAY BE OPERATED DOES NOT MEET THE REQUIRED VOLUME FOR INDOOR COMBUSTION AIR, COMBUSTION AND VENTILATION AIR SHALL BE PROVIDED BY ONE OF THE METHODS DESCRIBED IN NATIONAL FUEL GAS CODE, ANSI Z223.1/NFPA 54, THE INTERNATIONAL FUEL GAS CODE OR APPLICABLE CODES.</b>

<b>⚠ WARNING:</b>
<b>IF AREA IN WHICH HEATER MAY BE OPERATED IS SMALLER THAN THAT DEFINED AS AN UNCONFINED SPACE OR IF BUILDING IS OF UNUSUALLY TIGHT CONSTRUCTION, PROVIDE ADEQUATE AIR FOR COMBUSTION AND VENTILATION BY ONE OF THE METHODS DESCRIBED IN NATIONAL FUEL GAS CODE, ANSI Z223.1/NFPA 54 AIR FOR COMBUSTION AND VENTILATION OR APPLICABLE LOCAL CODES.</b>

- Determine the volume of the space (length x width x height).  
Length x Width x Height = \_\_\_\_\_cu.ft.(volume of space)  
EXAMPLE: 20 ft.(Length) x 16 ft.(Width) x 8 ft.(ceiling Height)= 2560 cu. ft. (volume of space)  
If additional ventilation to adjoining room is supplied with grills or openings, add the volume of these rooms to the total volume of the space.
- Divide the space volume by 50 cubic feet to determine the maximum BTU/Hr the space can support.  
\_\_\_\_\_ (volume of space)/50 cu. ft. =maximum BTU/Hr the space can support  
EXAMPLE: 2560 cu. ft. (volume of space /50 cu. Ft .:= 51.2 or 51200 (maximum BTU/Hr the space can support)
- Add the BTU/Hr of all fuel burning appliances in the space.

Vent-free heater BTU/Hr	_____ BTU/Hr
*Gas water heater BTU/Hr	_____ BTU/Hr
Gas furnace BTU/Hr	_____ BTU/Hr
Vented gas heater BTU/Hr	_____ BTU/Hr
Gas fireplace logs BTU/Hr	_____ BTU/Hr
Other gas appliance BTU/Hr	+_____ BTU/Hr
Total	=_____ BTU/Hr

Example:	
Gas water heater	400000 BTU/Hr
Vent-free heater	+ 18000BTU/Hr
total	= 58000 BTU/Hr
*Does not include direct-vent gas appliances. Direct-vent draws combustion air from outdoors and vents to the outdoors.	

- Compare the maximum BTU/Hr the space can support with actual amount of BTU/Hr used.  
\_\_\_\_\_ BTU/Hr (maximum the space can support)  
\_\_\_\_\_ BTU/Hr (actual amount of BTU/Hr used)  
Example: 51200 BTU/Hr (maximum the space can support)  
58000 BTU/Hr (actual amount of BTU/Hr used)  
Space in above example is unusually tight construction because actual BTU/Hr used is more than maximum BTU/Hr the space can support. You must provide additional fresh air. Your options are as follows:
  - Rework worksheet, adding space of an adjoining room. If extra space provides an unconfined space, remove door to adjoining room or add ventilation grills between rooms (see "Air For Combustion And Ventilation Inside Building" section of this manual).
  - Vent room directly to the outdoors (see "Air For Combustion And Ventilation Outdoors" section of this manual).
  - Install a lower BTU/Hr heater, if lower BTU/Hr size makes room unconfined.  
If actual BTU/Hr used is less than the maximum BTU/Hr the space can support, space is an unconfined space. You will need no additional fresh air ventilation.

**WARNING: YOU MUST PROVIDE ADDITIONAL VENTILATION AIR IN UNUSUALLY TIGHT CONSTRUCTION.**

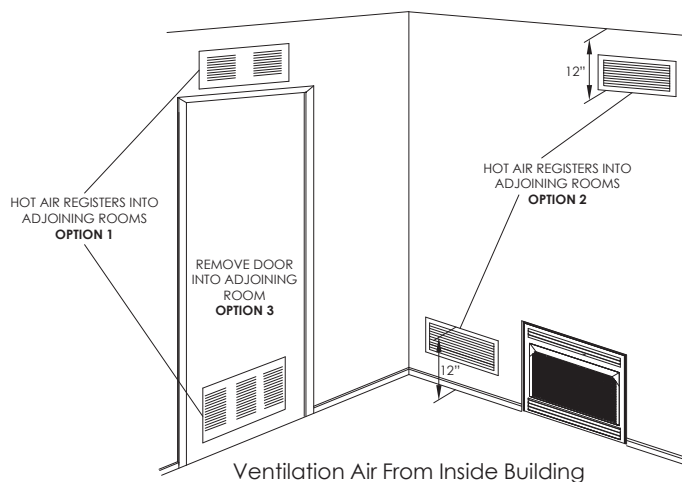
## AIR FOR COMBUSTION AND VENTILATION INSIDE BUILDING

This fresh air would come from an adjoining unconfined space. When venting to an adjoining space, you must provide two permanent openings: one within 12" of the ceiling and one within 12" of the floor, on the wall connecting two spaces (see Options 1 and 2 below). You can also remove the door into the adjoining room as shown.

**⚠ WARNING:**

**REWORK WORKSHEET, ADDING SPACE OF ADJOINING UNCONFINED SPACE. COMBINED SPACES MUST HAVE ADEQUATE AMOUNT OF AIR TO SUPPLY ALL APPLIANCES IN BOTH SPACES**

NOTE: Each opening shall have a minimum free area of 1 square inch per 1000 BTU's per hour of the total input ratings of all gas utilization equipment in the confined space, but not less than 100 square inches.

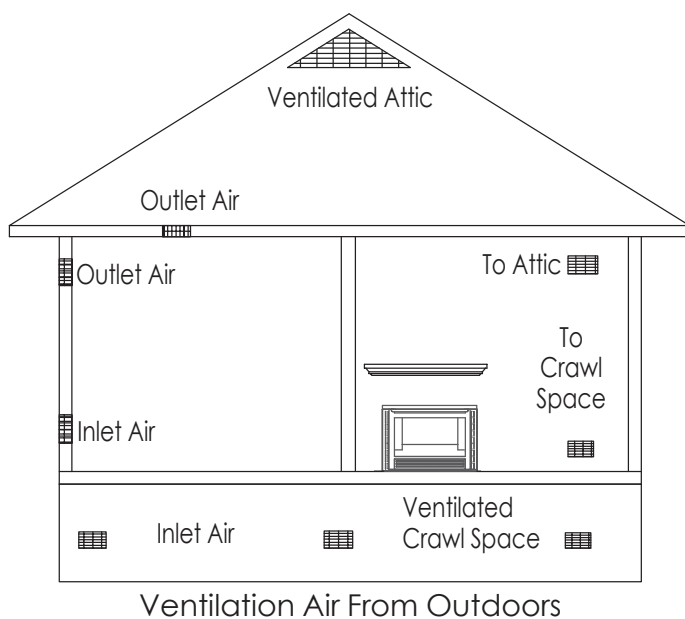


**⚠ WARNING:**

**THIS HEATER MUST HAVE ADEQUATE AMOUNT OF AIR FOR PROPER OPERATION. IF NOT, POOR FUEL COMBUSTION COULD RESULT. READ THE FOLLOWING INSTRUCTIONS TO ENSURE PROPER AMOUNT OF AIR FOR THIS AND OTHER FUEL-BURNING APPLIANCES IN YOUR HOME.**

## AIR FOR COMBUSTION AND VENTILATION OUTDOORS

Provide extra fresh air by using ventilation grills or ducts. You must provide two permanent openings: one within 12" of the ceiling and one within 12" of the floor. Connect these items directly to the outdoors. These spaces include attics and crawl spaces. Follow the National Fuel Gas Code NFPA 54/ ANSI Z223.1, Section 5.3, "Air For Combustion and Ventilation" for the required size of ventilation grills or ducts. IMPORTANT: Do not provide openings for inlet air into attic if the attic has a thermostat-controlled power vent. Heated air entering the attic will activate the power unit.



## WHEN USED AS A HEATING APPLIANCE HEAT OUTPUT

When used as a ventless heater, flue damper of a solid-fuel burning non-combustible fireplace must always be closed. The heat output is controlled by the "On/Off" switch or wall thermostat when using Millivolt Valve. The Vent-Free fireplace may be installed where permitted by local, state and city codes. In the absence of local codes, the latest edition of the National Fuel Gas Code (ANSI Z223.1) must be met.

**⚠ WARNING:**

**CHILDREN AND ADULTS SHOULD BE ALERTED TO HAZARDS OF HIGH SURFACE TEMPERATURES AND SHOULD STAY AWAY TO AVOID BURNS OR CLOTHING IGNITION. YOUNG CHILDREN SHOULD BE CAREFULLY SUPERVISED WHEN THEY ARE IN SAME ROOM WITH APPLIANCE**

**⚠ WARNING:**

**DO NOT PLACE CLOTHING OR OTHER FLAMMABLE MATERIAL ON OR NEAR APPLIANCE.**

Note: If any of the original wire as supplied with the gas appliance must be replaced, it must be replaced with a wire of at least a 105°C temperature rating.

Note: Installation and repair should be done by a qualified service person. This heater should be inspected before use and at least annually by a qualified service person. More frequent cleaning may be required due to excessive lint from carpeting, bedding material, etc. It is imperative that control compartments and circulating air passageways of heater be kept clean.

**⚠ CAUTION:**

**LABEL ALL WIRES PRIOR TO DISCONNECTION WHEN SERVICING CONTROLS. WIRING ERRORS CAN CAUSE IMPROPER AND DANGEROUS OPERATION.**

**⚠ WARNING:**

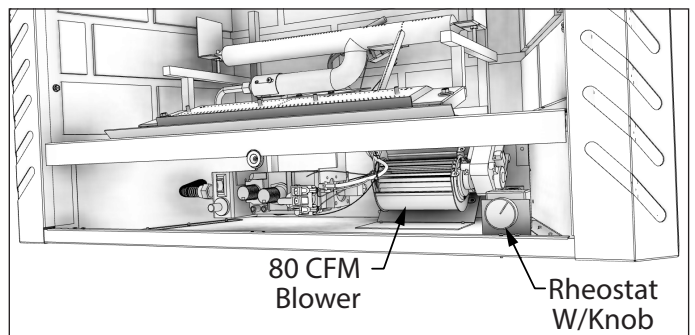
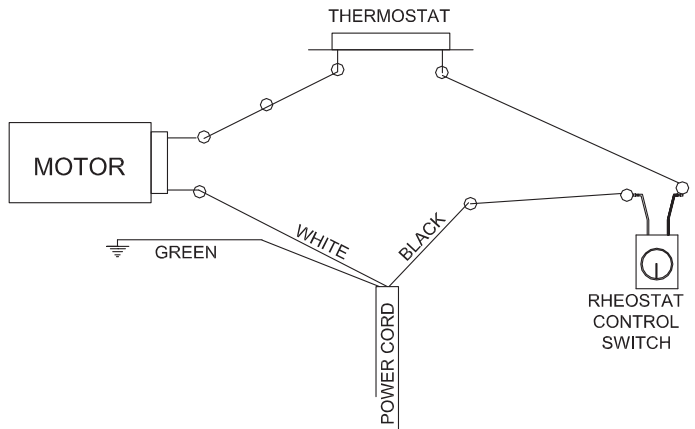
**ELECTRICAL GROUNDING INSTRUCTION: HEATER IS EQUIPPED WITH A THREE-PRONG PLUG FOR YOUR PROTECTION AGAINST SHOCK HAZARD AND SHOULD BE PLUGGED DIRECTLY INTO A PROPERLY GROUNDED THREE-PRONG RECEPTACLE.**

**⚠ WARNING:**

**DO NOT USE A BLOWER INSERT, HEAT EXCHANGER INSERT OR OTHER ACCESSORY NOT APPROVED FOR USE WITH THIS HEATER.**

Note: 80442 blower motor. Rating: 120 volts/60hz/1.1 Amps.

Note: for convenience, allow licensed electrician to install properly grounded 3-plug receptacle near unit.





## CLEANING

- The appliance must be turned “Off” before cleaning inside the firebox (burn area), make sure the pilot is “Off” completely and appliance has cooled.
- All cleaning should be carried out when the heater is cold. Limited cleaning is required with normal use. Dusting front of the base, top of piezo cover or control knob panel may be required occasionally. Do not use cleaning fluids to clean logs or any other part of the heater.
- If flames show unusual shapes or behavior or if the burner fails to ignite properly, burner holes may require cleaning. If this occurs, contact your nearest dealer to service heater.
- The heater can be cleaned by removing logs. Lift logs gently, as not to damage fiber pieces. The logs have been spot glued in place for shipping,

use caution when removing. Lift each log by holding it carefully at each end. Use a vacuum cleaner to remove dust and loose particles from the base, logs and around the burner and ODS/Pilot. Gloves are recommended to prevent fibers from breaking the skin. If the skin is broken, clean with soap and water.

**⚠ CAUTION:**  
**BEFORE CLEANING OR MOVING THESE LOGS OR OTHER PARTS OF HEATER, BE SURE TO READ ABOVE SECTIONS ON “IMPORTANT SAFEGUARDS.”**

**⚠ WARNING:**  
**FAILURE TO KEEP THE PRIMARY AIR OPENING(S) OF THE BURNER(S) CLEAN MAY RESULT IN SOOTING AND PROPERTY DAMAGE.**

## HOW TO ORDER REPAIR PARTS

**For Parts Assistance Call: 800-750-2723 Ext 5051 or Email: [parts@usstove.com](mailto:parts@usstove.com)**

The information in this owner’s manual is specific to your unit. When ordering replacement parts the information in this manual will help to ensure the correct items are ordered. Before contacting customer service write down the model number and the serial number of this unit. That information can be found on the certification label attached to the back of the unit. Other information that may be needed would be the part number and part description of the item(s) in question. Part numbers and descriptions can be found in the “Repair Parts” section of this manual. Once this information has been gathered you can contact customer service by phone 1-800-750-2723 Ext 5051 or Email [parts@usstove.com](mailto:parts@usstove.com).

Model Information	
Model Number	
Serial Number	

**⚠ CAUTION: INSTALLATION AND REPAIR SHALL ONLY BE DONE BY A QUALIFIED SERVICE PERSON. THE FIREPLACE SHOULD BE INSPECTED BEFORE USE BY A QUALIFIED SERVICE PERSON. IT IS REQUIRED TO BE INSPECTED AT LEAST ONCE A YEAR BY A PROFESSIONAL SERVICE PERSON.**

**⚠ WARNING: TURN OFF, UNPLUG HEATER AND LET COOL BEFORE SERVICING. ONLY A QUALIFIED SERVICE PERSON SHOULD SERVICE AND REPAIR HEATER.**

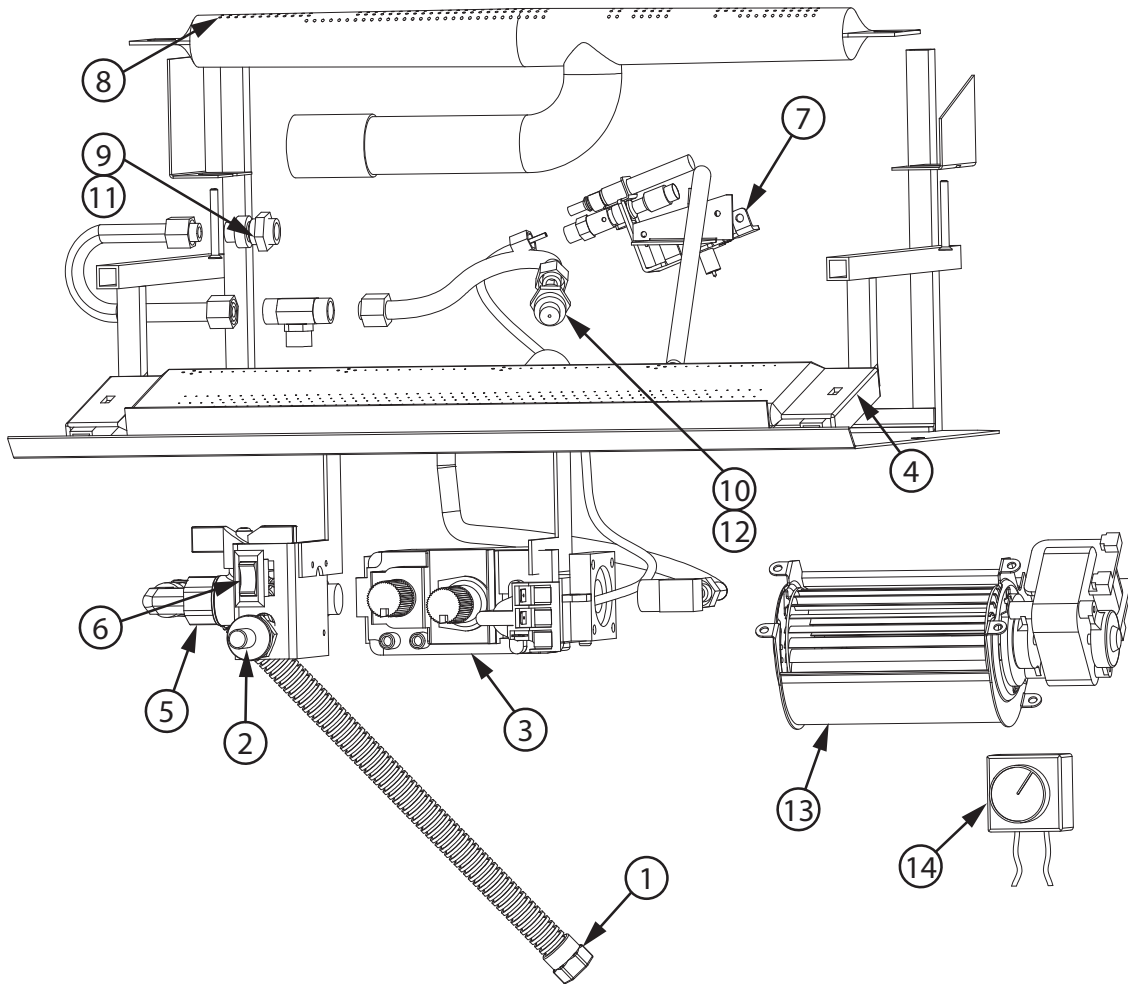
**⚠ CAUTION: NEVER USE A WIRE, NEEDLE OR SIMILAR OBJECT TO CLEAN ODS/PILOT. THIS CAN DAMAGE ODS/PILOT.**

OBSERVED	PROBLEM POSSIBLE CAUSE	SOLUTION
Igniter button is pressed no spark at ODS/Pilot	Igniter electrode positioned incorrectly	Replace igniter
	Igniter electrode broken	Replace igniter
	Igniter electrode not connected to igniter cable	Reconnect igniter cable
	Igniter cable pinched or wet	Free igniter cable if pinched by any metal or tubing. Keep igniter cable dry
	Piezo igniter nut is loose	Tighten nut holding piezo igniter to heater cabinet. Nut is located inside heater cabinet at top
	Broken igniter cable	Replace igniter cable
	Bad piezo igniter	Replace piezo igniter
Igniter button is pressed Spark at ODS/Pilot No Ignition	Gas supply turned off or manual shutoff valve is closed	Turn on gas supply or open manual shutoff valve
	Control knob not in "PILOT" position	Turn control knob to "PILOT" position
	Control knob not pressed in while in "PILOT" position	Press in control knob while in "PILOT" position
	Air in gas lines when installed	Continue to hold down control knob. Repeat igniting operation until air is removed.
	Depleted gas supply	Contact local propane gas company
	ODS/Pilot is clogged	Clean ODS/Pilot or replace ODS/Pilot assembly
	Gas regulator setting is not correct	Replace gas regulator

OBSERVED	PROBLEM POSSIBLE CAUSE	SOLUTION
ODS/PILOT lights but flame goes out when control knob is released	Control knob is not fully pressed in	Press control knob completely
	Control knob not pressed in long enough	After ODS/Pilot lights keep control knob pressed thirty (30) seconds
	Safety interlock system has been triggered (if equipped)	Wait one (1) minute for safety interlock system to reset
	Manual shutoff valve not fully open	Fully open manual shutoff valve
	Thermo-couple connection loose at control valve	Hand tighten until snug, then tighten 1/4 turn
	Pilot flame not touching thermo-couple, which allows thermo-couple to cool, causing pilot flame to go out. This problem can be caused by one or both of the following: A) Low gas pressure B) Dirty or partially clogged ODS/Pilot	A) Contact local propane gas company B) Clean ODS/Pilot (see Cleaning and Maintenance section of this manual) or replace ODS/Pilot assembly
	Control valve damaged	Replace valve control
Burner does not light after ODS/ Pilot is lit	Burner orifice is clogged	Clean burner (see Cleaning and Maintenance section of this manual) or replace burner orifice
	Inlet gas pressure is too low	Contact local propane gas company
Delayed ignition of burner	Manifold pressure is too low	Contact local propane gas company
	Burner orifice is clogged	Clean burner (see Cleaning and Maintenance section of this manual) or replace burner orifice
Burner backfiring during combustion	Burner orifice is clogged or damaged	Clean burner (see Cleaning and Maintenance section of this manual) or replace burner orifice
	Burner damaged	Replace burner
	Gas regulator defective	Replace gas regulator
Slight smoke or odor during initial operation	Residues from manufacturing process	Problem will stop after a few hours of operation
Heater produces a whistling noise when burner is lit	Turning control knob to "HI" position when burner is cold (if equipped with this type of valve)	Turn control knob to "LOW" position and allow to warm
	Air in gas line	Operate burner until air is removed from line. Call local propane company to check gas line
	Air passageways on heater blocked	Observe minimum installation clearances
	Dirty or partially clogged burner orifice	Clean burner or replace orifice

OBSERVED	PROBLEM POSSIBLE CAUSE	SOLUTION
Heater produces a clinking/ticking noise just after burner is lit r shut off	Metal expands while heating or contracts while cooling	This is common with most heaters. If noise is excessive, contact a qualified service person
Heater produces unwanted odors	Heater burning vapors from paint, hairspray, glues, etc. (see Important above)	Ventilate room. Stop using odor causing products while heater is running
	Low fuel supply	Refill supply tank
	Gas leak (see WARNING above)	Locate and control all leaks (see Checking Gas Connections)
Heater shuts off in use (ODS operates)	Not enough fresh air is available	Open window/door for ventilation
	Low line pressure	Contact local propane co.
	ODS/Pilot is partially clogged	Clean ODS/Pilot
Gas odor even when control knob is in OFF position	Gas leak see WARNING above).	Locate and correct all leaks (see Checking Gas Connections)
	Control valve defect	Replace control valve
Gas odor during combustion	Foreign matter between control valve and burner	Remove foreign matter from gas tubing
	Gas leak (see WARNING above)	Locate and correct all leaks (see Checking Gas Connections)

# REPLACEMENT PARTS



Key	Part #	Description	Qty
1	81212.2	Flex Tube	1
2	89761	Piezo Ignitor	1
3	81202	Control Valve (LP)	1
	81198	Control Valve (NAT)	1
4	81212-6	Bottom Burner	1
5	81212.8	On/Off Valve	1
6	81212.14	(Auto/Off/Auto) Switch	1
7	89921	Pilot Assembly (NAT)	1
	89922	Pilot Assembly (LP)	1
8	81212-11	Top Burner	1

9	81212.16	Upper Burner Orifices (Nat) #46	1
10	81212.20	Upper Burner Orifices (LP) #56	1
11	81212.17	Lower Burner Orifices (NAT) #48	1
12	81212.21	Lower Burner Orifices (LP) #55	1
13	80442	80 CFM Blower	1
14	80090	Rheostat W/Knob	1

To order parts:  
Call 1-800-750-2723 Ext 5051 or  
Email to: [parts@usstove.com](mailto:parts@usstove.com)

**⚠ WARNING: FAILURE TO POSITION THE PARTS IN ACCORDANCE WITH THESE DIAGRAMS OR FAILURE TO USE ONLY PARTS SPECIFICALLY APPROVED WITH THIS APPLIANCE MAY RESULT IN PROPERTY DAMAGE OR PERSONAL INJURY.**

It is recommended that your heating system is serviced regularly and that the appropriate Service Interval Record is completed.

## SERVICE PROVIDER

Before completing the appropriate Service Record below, please ensure you have carried out the service as described in the manufacturer's instructions. Always use the manufacturer's specified spare part when replacement is necessary.

<b>Service 01</b>	Date: _____
Engineer Name: _____	
License No.: _____	
Company: _____	
Telephone No.: _____	
Stove Inspected: _____	Chimney Swept: _____
Items Replaced: _____	

<b>Service 02</b>	Date: _____
Engineer Name: _____	
License No.: _____	
Company: _____	
Telephone No.: _____	
Stove Inspected: _____	Chimney Swept: _____
Items Replaced: _____	

<b>Service 03</b>	Date: _____
Engineer Name: _____	
License No.: _____	
Company: _____	
Telephone No.: _____	
Stove Inspected: _____	Chimney Swept: _____
Items Replaced: _____	

<b>Service 04</b>	Date: _____
Engineer Name: _____	
License No.: _____	
Company: _____	
Telephone No.: _____	
Stove Inspected: _____	Chimney Swept: _____
Items Replaced: _____	

<b>Service 05</b>	Date: _____
Engineer Name: _____	
License No.: _____	
Company: _____	
Telephone No.: _____	
Stove Inspected: _____	Chimney Swept: _____
Items Replaced: _____	

<b>Service 06</b>	Date: _____
Engineer Name: _____	
License No.: _____	
Company: _____	
Telephone No.: _____	
Stove Inspected: _____	Chimney Swept: _____
Items Replaced: _____	

<b>Service 07</b>	Date: _____
Engineer Name: _____	
License No.: _____	
Company: _____	
Telephone No.: _____	
Stove Inspected: _____	Chimney Swept: _____
Items Replaced: _____	

<b>Service 08</b>	Date: _____
Engineer Name: _____	
License No.: _____	
Company: _____	
Telephone No.: _____	
Stove Inspected: _____	Chimney Swept: _____
Items Replaced: _____	



