

# Owner's Instruction and Operation Manual



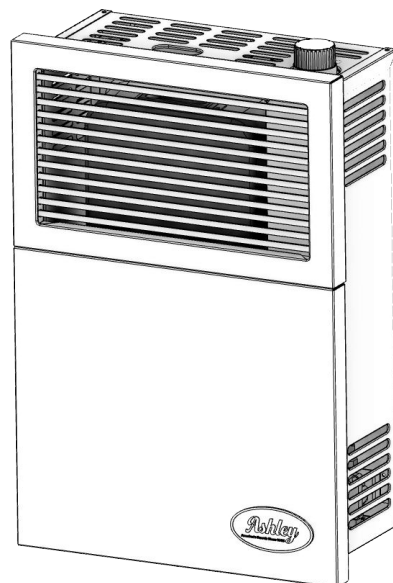
Model Number:

**DVAG8**



Report Number: F23-147

Certified to ANSI STD Z21.86-2016-R-2021,  
Certified to CSA STD 2.32-2016-R-2021, and  
Certified to CSA 2.17-2017



\* All Pictures In This Manual Are For Illustrative Purposes Only. Actual Product May Vary.

854013-1504M

Save These Instructions In A Safe Place For Future Reference.

**⚠ WARNING: If the information in these instructions is not followed exactly, a fire or explosion may result causing property damage, personal injury or loss of life.**

- Do not store or use gasoline or other flammable vapors and liquids in the vicinity of this or any other appliance.
- **WHAT TO DO IF YOU SMELL GAS:**
  - Do not try to light any appliance.
  - Do not touch any electrical switch; do not use any phone in your building.
  - Immediately call your gas supplier from a neighbor's phone. Follow the gas supplier's instructions.
  - If you cannot reach your gas supplier, call the fire department.
- Installation and service must be performed by a qualified installer, service agency or the gas supplier.

**\* Installation and service must be performed by a qualified installer, service agency or the gas supplier \***

Please read this manual BEFORE installing and operating this unit.

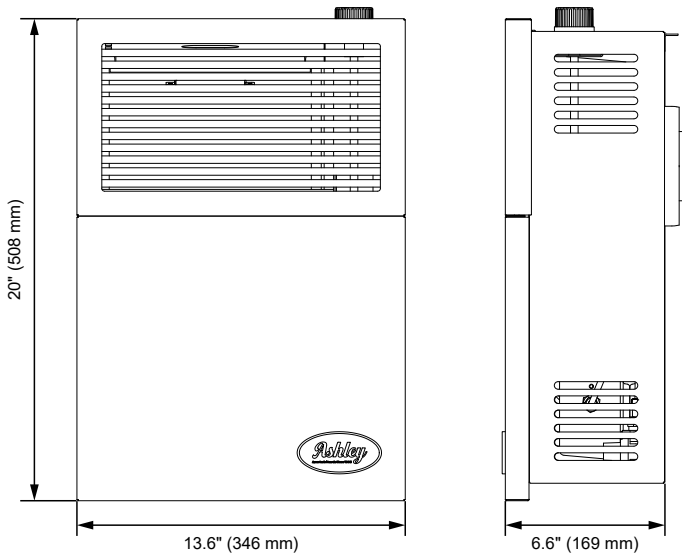
**INSTALLER: Leave this manual with the appliance.**

**CONSUMER: Retain this manual for future reference.**

**⚠ CALIFORNIA PROPOSITION 65 WARNING:**

This product can expose you to chemicals including carbon monoxide, which is known to the State of California to cause cancer, birth defects, and/or other reproductive harm. For more information, go to [www.P65warnings.ca.gov](http://www.P65warnings.ca.gov)

THIS MANUAL IS SUBJECT TO CHANGE WITHOUT NOTICE.



Height	20 (508 mm)
Width	13.6 (346 mm)
Depth	6.6 (169 mm)
Type of Burner	Atmospheric
# of Burners	1
Ignition	Piezo-electric ignitor
Standard Heating Space Square Feet / (m <sup>2</sup> )	280 sq ft (26 m <sup>2</sup> )

NOTE: A qualified service person must install the heater. Follow all local codes. CHECK GAS TYPE! Use only the type of gas indicated on the rating plate.

**PRODUCT FEATURES**

Model No.	Input Power * Btu/Hr. (kW)	Max. Gas Inlet Pressure inch W.C. (mm. W.C.)	Min. Gas Inlet Pressure inch W.C. (mm. W.C.)	Pres. Reg. Settings Manifold inch W.C. (mm. W.C.)	Valve Type
DVAG8N	8,000 BTU/HR- (2.34 kW/HR)	10.5 inches W.C. (267mm)	5.0 inches W.C. (127mm)	5.0 inches W.C. (127mm)	Chant K-890SL-A4D
DVAG8L	8,000 BTU/HR- (2.34 kW/HR)	14 inches W.C. (356mm)	10 inches W.C. (254mm)	10 inches W.C. (254mm)	Chant K-890SL-A4D

\*\*NOTE: Minimum Gas Inlet Pressure for purpose of input adjustment. The efficiency rating of the appliance is a product thermal efficiency rating determined under continuous operating conditions and was determined independently of any installed system.

**\* Installation and service must be performed by a qualified installer, service agency or the gas supplier \***

**For Customer Service, please call:**

**1-800-750-2723 Ext 5050 or;**

**Text to 423-301-5624 or;**

**Email us at:**

**customerservice@usstove.com**

# INSTALLATION CHECKLIST



Your Gas Stove should be installed by a qualified installer only. An NFI qualified Installer can be found at [www.nficertified.org/public/find-an-nfi-pro/](http://www.nficertified.org/public/find-an-nfi-pro/)

## INSTALLER CHECK LIST

This Checklist is to be completed in full by the qualified person who installs this unit. Keep this page for future reference.

Failure to install and commission according to the manufacturer's instructions and complete this checklist will invalidate the warranty.

Please Print

Customer Name:										Telephone Number:									
Address:																			
Model:																			
Serial Number:																			
Installation Company Name:										Phone Number:									
Installation Technician's Name:										License Number:									

## DESCRIPTION OF WORK

Location of installed appliance: \_\_\_\_\_

Venting System: New Venting System  Yes  No If yes, Brand \_\_\_\_\_

If no, Date of inspection of existing venting system: \_\_\_\_\_

## CHECKLIST

- Confirm clearances to combustibles as per installation instructions in this manual .....
- Confirm the venting system is secure and sealed.....
- Confirm the stove starts and operates properly.....
- Check to ensure a CO alarm is installed as per local building codes and is functional .....
- Explain the safe operation, proper fuel usage, cleaning, and routine maintenance requirements .....

Declaration of Completion: As the qualified person responsible for the work described above, I confirm that the appliance as associated work has been installed as per manufacturer's instructions and following any applicable building and installation codes.

Signed: \_\_\_\_\_ Print Name: \_\_\_\_\_ Date: \_\_\_\_\_

**Home Owner: RETAIN THIS INFORMATION FOR FUTURE REFERENCE**

## REQUIREMENTS FOR THE COMMONWEALTH OF MASSACHUSETTS

The following requirements reference various Massachusetts and national codes not contained in this manual. For all sidewall horizontally vented gas fueled equipment installed in every dwelling, building or structure used in whole or in part for residential purposes, including those owned or operated by the Commonwealth and where the side wall exhaust vent termination is less than (7) feet above finished grade in the area of the venting, including but not limited to decks and porches, the following requirements shall be satisfied:

### INSTALLATION OF CARBON MONOXIDE DETECTORS

At time of installation of side wall horizontally vented gas fueled equipment, the installing plumber or gas-fitter shall observe that a hard wired carbon monoxide detector with an alarm and battery back-up is installed on the floor level where the gas equipment is to be installed. In addition, the installing plumber or gas-fitter shall observe that a battery operated or hard wired carbon monoxide detector is installed on each additional level of the dwelling, building or structure served by the side wall horizontal vented gas fueled equipment. It shall be the responsibility of the property owner to secure the services of qualified licensed professionals for the installation of hard wired carbon monoxide detectors. In the event that the side wall horizontally vented gas fueled equipment is installed in a crawl space or attic, the hard wired carbon monoxide detector with alarm and battery back-up may be installed on the next adjacent floor level. In the event that the requirements of this subdivision can not be met at the time of completion of installation, the owner shall have a period of thirty (30) days to comply with the above requirements; provided, however, that during said thirty (30) day period, a battery operated carbon monoxide detector with an alarm shall be installed.

### APPROVED CARBON MONOXIDE DETECTORS

Each carbon monoxide detector as required in accordance with the above provisions shall comply with NFPA 720 and be ANSI/UL 2034 listed and IAS certified.

### SIGNAGE

A metal or plastic identification plate shall be permanently mounted to the exterior of the building at a minimum of eight (8) feet above grade directly in line with the exhaust vent terminal for the horizontally vented gas fueled heating the appliance or equipment. The sign shall read, in print no less the one-half inch (1/2") in size, "GAS VENT DIRECTLY BELOW. KEEP CLEAR OF ALL OBSTRUCTIONS".

### INSPECTION

The state or local gas inspector of the side wall horizontally vented gas fueled equipment shall not approve the installation unless, upon inspection, the inspector observes carbon monoxide detectors and signage installed in accordance with the provisions of 248 CMR 5.08 (2) (a) 1 through 4.

### EXEMPTIONS

The following equipment is exempt from 248 CMR 5.08 (2) (a) 1 through 4: The equipment listed in Chapter 10 entitled "Equipment Not Required To Be Vented" in the most current edition of NFPA 54 as adopted by the Board; and Product Approved side wall horizontally vented gas fueled equipment installed in a room or structure separate from the dwelling, building or structure used in whole or in part for residential purposes.

### MANUFACTURER REQUIREMENTS

Gas Equipment Venting System Provided: When the manufacturer of Product Approved side wall horizontally vented gas equipment provides a venting system design or venting system components with the equipment, the instructions provided by the manufacturer for installation of the equipment and the venting system shall include:

Detailed instructions for the installation of the venting system design or the venting system components; and a complete parts list for the venting system design or venting system.

### GAS EQUIPMENT VENTING SYSTEM NOT PROVIDED

When the manufacturer of Product Approved side wall horizontally vented gas equipment does not provide the parts for venting the flue gases, but identifies "special venting systems", the following requirements shall be satisfied by the manufacturer:

The referenced “special venting systems” instructions shall be included with the appliance or equipment installation instructions and;

The “special venting systems” shall be Product Approved by the Board, and the instructions for that system shall include a parts list and detailed installation instructions.

A copy of all installation instructions for all Product Approved side wall horizontally vented gas fueled equipment, all venting instructions, all parts lists for venting instructions, and/or all venting design instructions shall remain with the appliance or equipment at the completion of the installation.

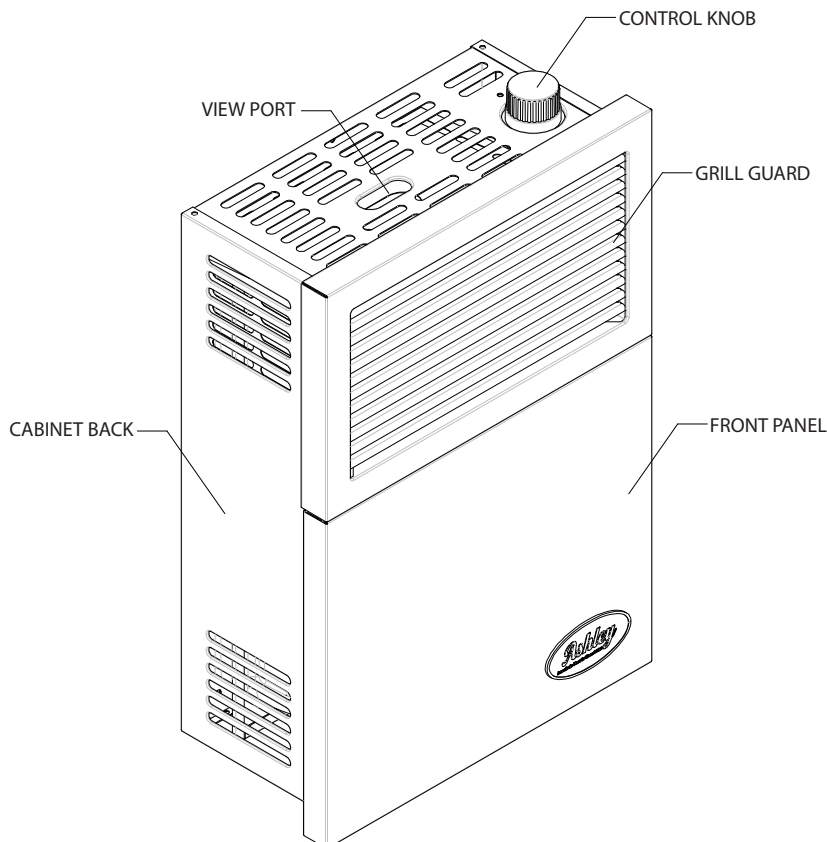
## PRODUCT IDENTIFICATION

**THIS GAS APPLIANCE MUST NOT BE CONNECTED TO A CHIMNEY FLUE SERVING A SEPARATE SOLID-FUEL BURNING APPLIANCE.**

### IMPORTANT FOR YOUR SAFETY

- **IMPROPER INSTALLATION, ADJUSTMENT, ALTERATION, SERVICE, OR MAINTENANCE CAN CAUSE PROPERTY DAMAGE, PERSONAL INJURY OR LOSS OF LIFE. REFER TO THIS MANUAL.**
- **INSTALLATION AND SERVICE MUST BE PERFORMED BY A QUALIFIED INSTALLER, SERVICE AGENCY, OR THE GAS SUPPLIER.**

**DO NOT USE THIS APPLIANCE IF ANY PART HAS BEEN UNDER WATER. IMMEDIATELY CALL A QUALIFIED SERVICE TECHNICIAN TO INSPECT THE APPLIANCE AND TO REPLACE ANY PART OF THE CONTROL SYSTEM AND ANY GAS CONTROL WHICH HAS BEEN UNDER WATER.**



## INSTALLATION ITEMS

Before installing heater, make sure you have the items listed below.

- Piping (check local codes)
- Sealant (resistant to propane gas)
- Manual shutoff valve
- Ground joint union
- Sediment trap
- Tee joint
- Pipe wrench

The installation location shall provide the following:

- a. Adequate combustion and ventilation air, and
- b. Adequate accessibility clearances for servicing.

Minimum Clearance From Combustible Construction	
Rear	0.25 inches (with supplied spacers)
Sides	6 inches
Top	36 inches
Floor	5 inches

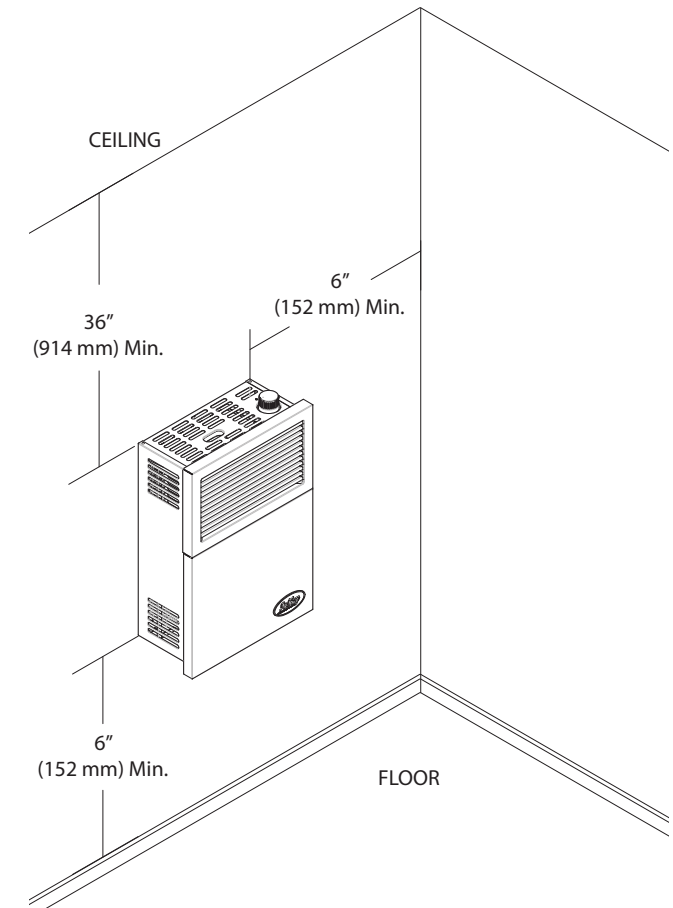
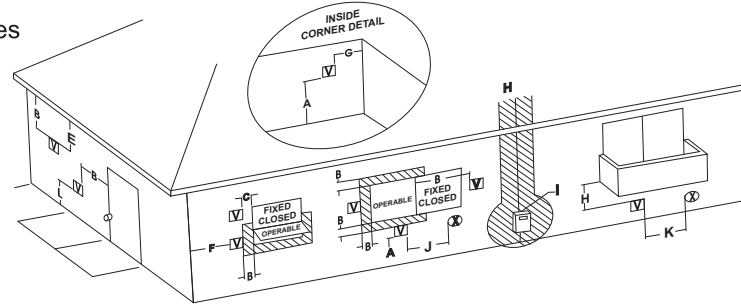


Figure 1

## Vent Terminal Clearances



**V** VENT TERMINAL    **A** AIR SUPPLY INLET    **Hatched** AREA WHERE TERMINAL IS NOT PERMITTED

	Canadian Installations <sup>1</sup>	US Installations <sup>2</sup>
A= Clearance above grade, veranda, porch, deck, or balcony	12 inches (30 cm)	12 inches (30 cm)
B= Clearance to window or door that may be opened	6 inches (15 cm) for appliances ≤ 10,000 Btuh (3 kW), 12 inches (30 cm) for appliances > 10,000 Btuh (3 kW) and ≤ 50,000 Btuh (15 kW)	6 inches (15 cm), for appliances ≤ 10,000 Btuh (3 kW), 9 inches (23 cm) for appliances > 10,000 Btuh (3 kW) and ≤ 50,000 Btuh (15 kW), 12 inches (30 cm) for appliances > 50,000 Btuh (15 kW)
C= Clearance to permanently closed window	-	-
D= Vertical clearance to ventilated soffit located above the terminal within a horizontal distance of 2 feet (61 cm) from the center line of the terminal	-	-
E= Clearance to unventilated soffit	-	-
F= Clearance to outside corner	-	-
G= Clearance to inside corner	-	-
H= To each side of the center line extended above meter/regulator assembly	3 feet (91 cm) within a height 15 feet (4.5 m) above the meter/regulator assembly	-
I= Clearance to service regulator vent outlet	3 feet (91 cm)	-

	Canadian Installations <sup>1</sup>	US Installations <sup>2</sup>
J= Clearance to nonmechanical air supply inlet to building or the combustion air inlet to any other appliance	6 inches (15 cm.) for appliances ≤ 10,000 Btuh (3 kW), 12 inches (30 cm) for appliances > 10,000 Btuh (3 kW) and ≤ 100,000 Btuh (30 kW)	6 inches (15 cm.) for appliances ≤ 10,000 Btuh (3 kW), 9 inches (23 cm) for appliances > 10,000 Btuh (3 kW) and ≤ 50,000 Btuh (15 kW), 12 inches (30 cm) for appliances > 50,000 Btuh (15 kW)
K= Clearance to a mechanical air supply inlet	6 feet (1.83 m)	3 feet (91 cm) above if within 10 feet (3 m) horizontally
L= Clearance above paved sidewalk or paved driveway located on public property	7 feet (2.13 m)†	-
M= Clearance under veranda, porch, deck, or balcony	12 inches (30 cm) ‡	-

<sup>1</sup> In accordance with the current CSA B149.1, National Gas and Propane Installation Code  
<sup>2</sup> In accordance with the current ANSI Z223.1/NFPA 54, National Fuel Gas Code  
 † A vent shall not terminate directly above a sidewalk or paved driveway that is located between two single family dwellings and serves both dwellings.  
 ‡ Permitted only if veranda, porch, deck, or balcony is fully open on a minimum of two sides beneath the floor.  
 \* For clearances not specified in ANSI Z223.1/NFPA 54 or CSA B149.1: "Clearance in accordance with local installation codes and the requirements of the gas supplier."

This appliance may be installed in an aftermarket, permanently located, manufactured home (USA only) or mobile home, where not prohibited by local codes. This appliance is only for use with the type of gas indicated on the rating plate. This appliance is not convertible for use with other gases, unless a certified kit is used.

**IMPORTANT:**

**THIS APPLIANCE SHOULD ONLY BE INSTALLED BY A QUALIFIED INSTALLER. THE INSTALLATION MUST CONFORM WITH LOCAL CODES OR, IN THE ABSENCE OF LOCAL CODES, WITH THE NATIONAL FUEL GAS CODE, ANSI Z223.1/NFPA 54, NATURAL GAS AND PROPANE INSTALLATION CODE, CSA B149.1.**

A manufactured home (USA only) or mobile home OEM installation must conform with the Manufactured Home Construction and Safety Standard, Title 24 CFR, Part 3280, or, when such standard is not applicable, the Standard for Manufactured Home Installations, ANSI Z 225.1, or Standard for Gas Equipped Recreational Vehicles and Mobile Housing, CSA Z 240.4.

**IMPORTANT:**

- **THE APPLIANCE AREA MUST BE KEPT CLEAR AND FREE FROM COMBUSTIBLE MATERIALS, GASOLINE, AND OTHER FLAMMABLE VAPORS AND LIQUIDS.**
- **DUE TO HIGH TEMPERATURES, THE APPLIANCE SHOULD BE LOCATED OUT OF TRAFFIC AND AWAY FROM FURNITURE AND DRAPERIES.**
- **CHILDREN AND ADULTS SHOULD BE ALERTED TO THE HAZARDS OF HIGH SURFACE TEMPERATURE AND SHOULD STAY AWAY TO AVOID BURNS OR CLOTHING IGNITION.**
- **YOUNG CHILDREN SHOULD BE CAREFULLY SUPERVISED WHEN THEY ARE IN THE SAME ROOM AS THE APPLIANCE.**
- **CLOTHING OR OTHER FLAMMABLE MATERIAL SHOULD NOT BE PLACED ON OR NEAR THE APPLIANCE.**
- **ANY SAFETY SCREEN OR GUARD REMOVED FOR SERVICING AN APPLIANCE MUST BE REPLACED PRIOR TO OPERATING THE APPLIANCE.**

**IMPORTANT:**

**INSTALLATION AND REPAIR SHOULD BE DONE BY A QUALIFIED SERVICE PERSON. THE APPLIANCE SHOULD BE INSPECTED BEFORE USE AND AT LEAST ANNUALLY BY A QUALIFIED SERVICE PERSON. MORE FREQUENT CLEANING MAY BE REQUIRED DUE TO EXCESSIVE LINT FROM CARPETING, BEDDING MATERIAL, ETC. IT IS IMPERATIVE THAT CONTROL COMPARTMENTS, BURNERS AND CIRCULATING AIR PASSAGeways OF THE APPLIANCE BE KEPT CLEAN.**

**WARNING:**

**FAILURE TO POSITION THE PARTS IN ACCORDANCE WITH THESE DIAGRAMS, OR FAILURE TO USE ONLY PARTS SPECIFICALLY APPROVED WITH THIS APPLIANCE MAY RESULT IN PROPERTY DAMAGE OR PERSONAL INJURY.**

**HARDWARE PACKET CONTENTS**

KEY	DESCRIPTION	ITEM	QTY
i	Medium Screw		3
ii	Large Screw		4
iii	Washer		4
iv	Spacer Washer		4
v	Rubber Grommet		2
vi	Small Screw		11

**INSTALLING THE APPLIANCE**

Separate the hanging bracket from the appliance by removing two screws on the top and two nuts at the bottom.

**INSTALLING THE HANGING BRACKET ON A NON-COMBUSTIBLE WALL ( I.E., MASONRY BLOCK OR CONCRETE)**

1. Draw the position of the hole for the air-vent intake pipe, taking into account the minimum clearances mentioned in figure 1. See dimensions of the square hole "D" and height to the center "C" in table 1 and figure 5 for the different models. Height "C" is the minimum recommended.

C	D
20-7/32" (514 mm)	11-1/4" X 11-1/4" (286 x 286 mm) square hole

2. Cut the square hole through the wall according to the measurements and positions indicated in figure 2.

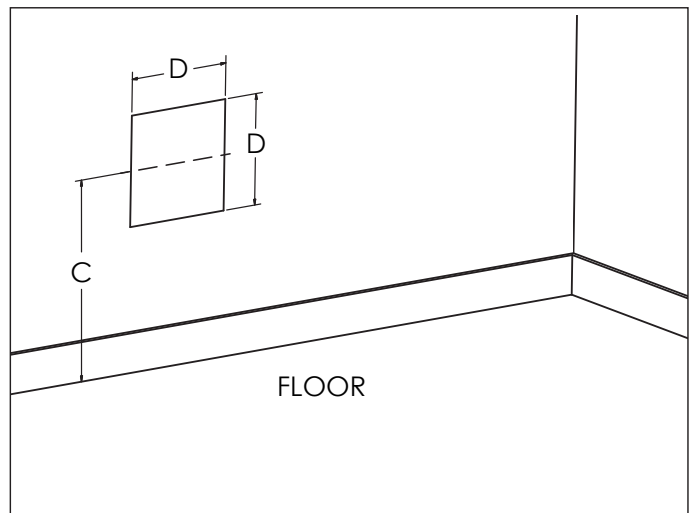


Figure 2

3. Insert the two provided rubber grommets (v) into the lower bracket as shown in figure 3a. Place the hanging bracket over the square hole. Check to see the bracket is level. After leveling the hanging bracket, mark the four holes as shown in figure 3b.



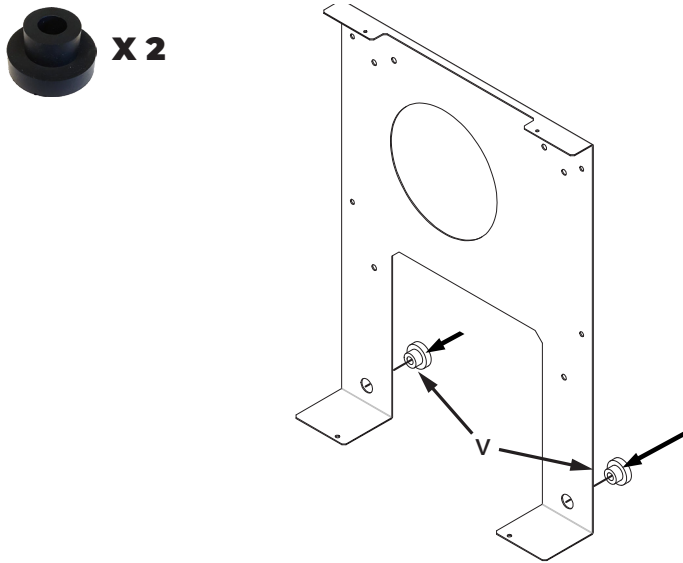


Figure 3a

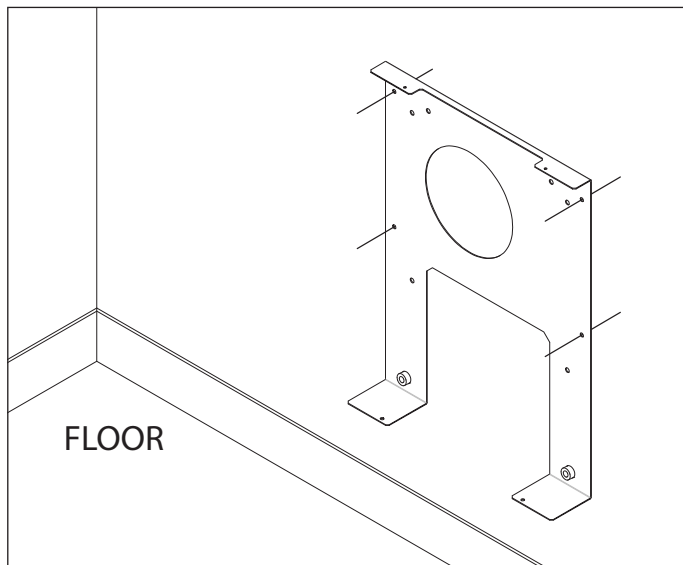
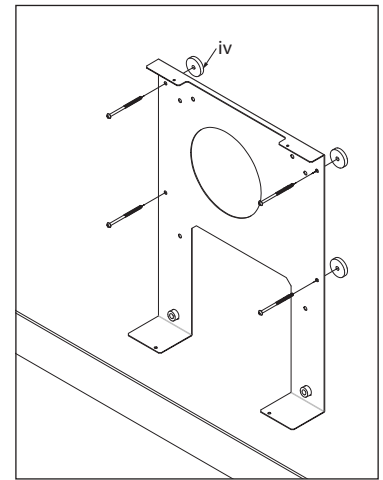
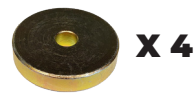


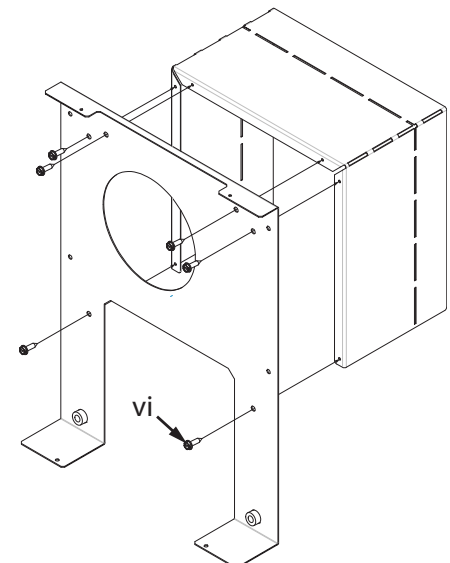
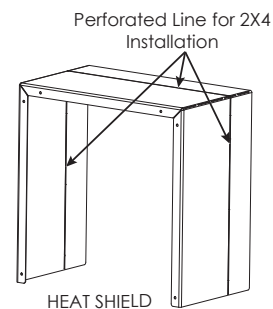
Figure 3b

4. Remove the hanging bracket and drill the four holes using a masonry drill bit. **NOTE:** The masonry drill bits size must match the size of the masonry screw that will be used (masonry screws and drill bit not included). **IMPORTANT:** The four 1/4" spacer washers (iv) provided must be put between the bracket and the wall.



## INSTALLING THE HANGING BRACKET ON A COMBUSTIBLE WALL (I.E., DRYWALL/WOODEN WALL)

1. Remove the required heat shield from the box and fold it as indicated in the illustration (fold along the perforated lines and break off when installing in a 2 X 4 wall). Align the holes on the heat shield with the holes on the mounting bracket and attach using the six provided small screws (vi).



- Taking into account the minimum clearances mentioned in table two, locate the closest wall stud (which will serve to hold the appliance) and mark the square hole center at a distance "A", (if wall stud is at the right), or "B", (if the stud is at the left) (see table 2 and Figures 7 and 8). Note: Use the heat shield to help hold the bracket in place when marking the square hole locations. Note: At least one side of hanging bracket must be attached to a wall stud.

A	B	C	D
9-1/8" (233 mm)	6-13/16" (174 mm)	20-3/16" (514 mm)	11-1/4" X 11-1/4" (286 x 286 mm) square hole

- Draw the position of the square hole for the vent-air intake pipe (see dimensions for square hole "D" and the height to the center "C" in table 2. Height "C" is the minimum recommended.
- Cut the square hole through the wall according to the measurements and positions indicated in figure 4 and 5.

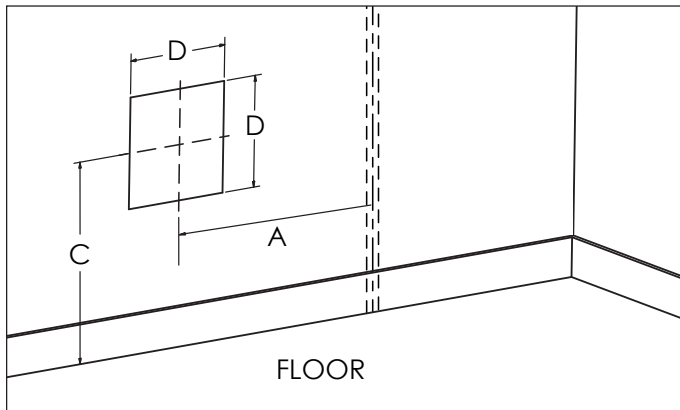


Figure 4

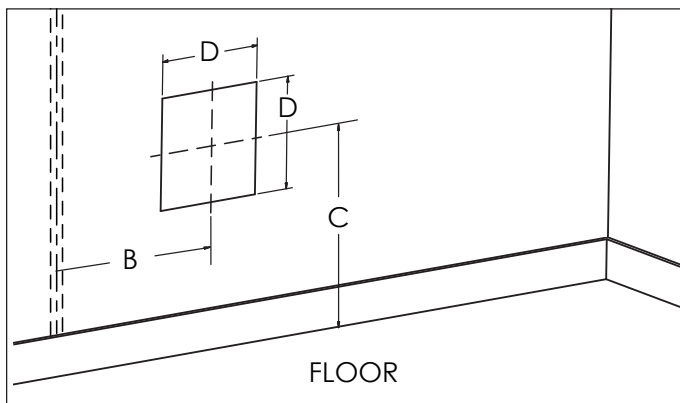
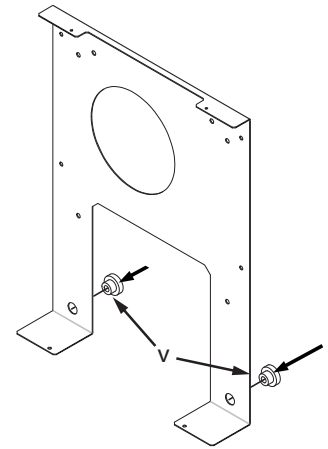
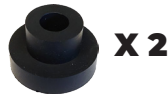
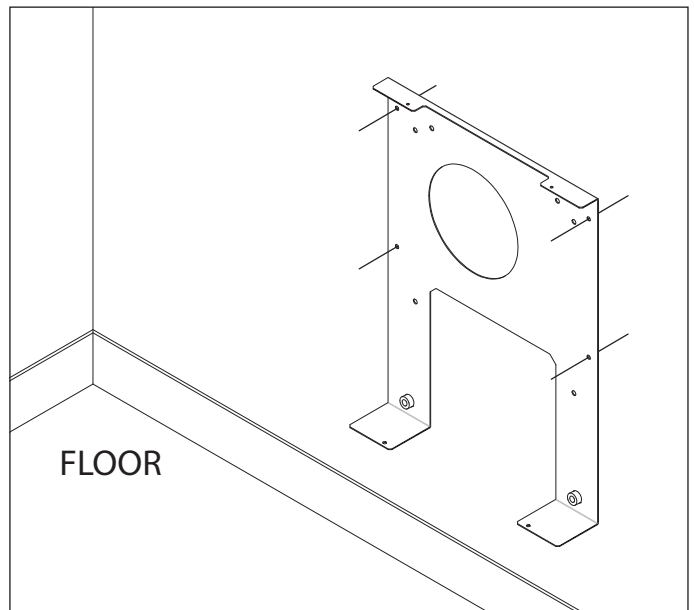


Figure 5

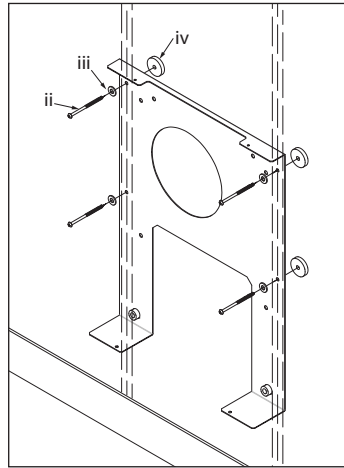
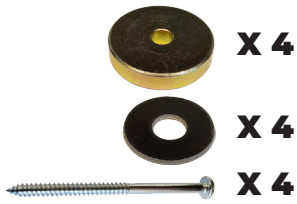
- Insert the two provided rubber grommets (v) into the lower bracket as shown.



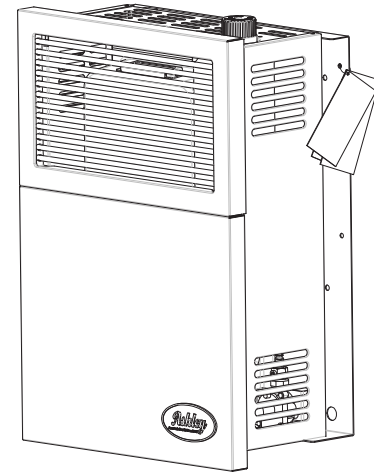
- Place the wall bracket with the heat shield attached into the square hole. Check to see that the bracket is level. If not, you may have to trim the hole you cut to ensure the bracket is level when installed. After leveling the hanging bracket, mark the 4 holes as shown.



- Remove the hanging bracket and drill the four holes using a 3/32" drill bit.
- Place the hanging bracket and fix it with four screws (ii) and four washers (iii). **IMPORTANT:** The four 1/4" spacer washers (iv) provided must be put between the bracket and the wall.

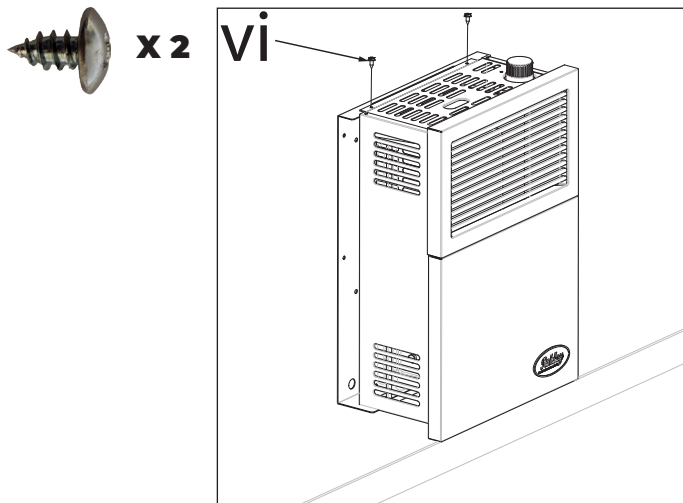


**ATTENTION:**  
**THE ATTACHED SET OF THREE MARKING PLATES (RATING PLATE, OPERATION INSTRUCTIONS, AND SAFETY PLATE) MUST NOT BE REMOVED FROM THE APPLIANCE AT ANY TIME.**



## MOUNTING THE HEATER ON HANGING BRACKET

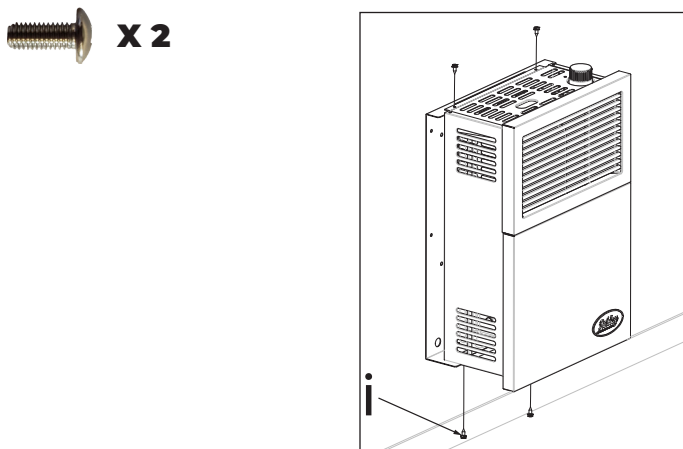
1. Place the heater on the hanging bracket and secure with two small screws (vi).



## INSTALLING THE VENTING SYSTEM

These models of wall furnaces are designed for direct venting through a wall. Only venting components specifically approved for these furnaces may be used. The flow of combustion gases and ventilation air must not be obstructed. Minimum clearance between pipes and combustible materials is one (1) inch (25.4 mm). Vent terminal must be 18.0" away from an adjacent wall. Minimum clearance between vent cap and combustible material 1-3/4".

2. Use two medium screws (i) to secure the bottom bracket to the unit.



**IMPORTANT:**  
**THE VENT-AIR INTAKE SYSTEM MUST BE PROPERLY INSTALLED TO ENSURE PROPER AND SAFE OPERATION. THE VENT-AIR INTAKE SYSTEM MUST ALSO BE PROPERLY RE-INSTALLED AND RESEALED TO ENSURE PROPER AND SAFE OPERATION.**

**WARNING:**  
**FAILURE TO POSITION THE PARTS IN ACCORDANCE WITH THESE DIAGRAMS OR FAILURE TO USE ONLY PARTS SPECIFICALLY APPROVED WITH THIS APPLIANCE MAY RESULT IN PROPERTY DAMAGE OR PERSONAL INJURY.**

**IMPORTANT:**

**THE APPLIANCE'S VENTING SYSTEM SHOULD BE INSPECTED AT LEAST ONCE A YEAR AND IMMEDIATELY CLEANED IF NECESSARY.**

**CAUTION:**

**ALL JOINTS MUST BE AIR-TIGHT.**

The venting system consists of:

A	Vent Cap
B	Vent Pipe
C	Vent-Air Intake Pipe
D	Rod
E	Nut
F	Outdoor Mounting Plate
G	Silicon-Rubber Ring
H	Tape
i	Insulation
J	Rain Shield
K	Heat Shield

Vent Pipe (B)	Vent-Air Intake Pipe (C)	Rod (D)
Wall Thickness + 3-3/8" (86 mm)	Wall Thickness + 2-1/2" (64 mm)	Wall Thickness + 5-7/8" (149.5 mm)

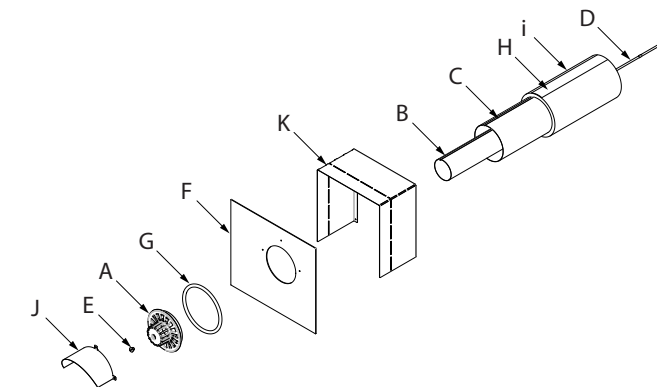


Figure 6

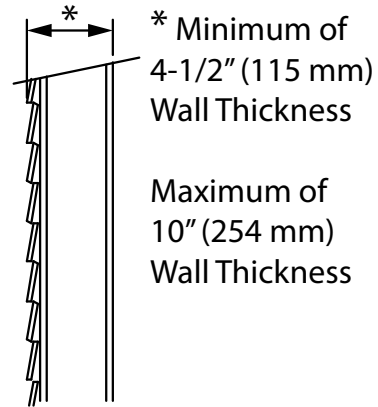


Figure 7

Measure thickness of the wall as shown in figure 7.

- If any of the following are long trim them according to thickness of the wall, (see table 3):
  - (B) vent pipe
  - (C) vent-air intake pipe
  - (i) insulation
  - (D) rod
- The hole at the outside of the wall must be a square of 11-1/4" (286 mm) X 11-1/4" (286 mm) (see figure 9).
- Slide the heat shield (K) into the 11-1/4" (286 mm) X 11-1/4" (286 mm) square hole. Secure the heat shield (K) to the wall bracket using the appropriate hardware.
- From the outside of the wall, screw the rod (D) slightly onto support located inside the appliance flue outlet.
- Wrap the vent-air intake pipe (C) with the provided insulation (i) (foil side out) and place the provided strip of tape (H) down the seam to secure it.
- Slide the smaller vent pipe (B) (from outside your house) through the hole in the wall and attach to the mounted heater inside your house. Be sure the vent pipe is snug and engaged to the heater. Then slide the larger Vent-Air Intake Pipe, with the insulation wrapped and taped to the outside of the pipe, through the same hole and over the smaller Vent Pipe (B) and attach to the heater.

NOTE: It is critical that the insulation wrap (i) be wrapped and secured with the tape on the outside of the larger Vent-Air Intake Pipe (C). The insulation is NOT to be wrapped in between Vent Pipe (B) and Vent-Air Intake Pipe (C) (see figure 8).

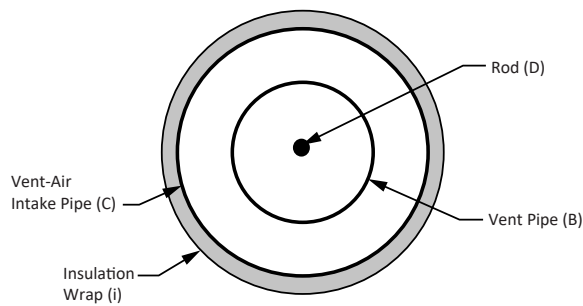


Figure 8

7. The outdoor mounting plate (F) and the silicon-rubber ring (G) should be installed between the vent cap (A) and the exterior wall. Note: For additional security the outdoor mounting plate (F) can be attached to the outside of the wall using the appropriate hardware for mounting to the surface of the building. The outdoor mounting plate (F) must be positioned flush to the wall and sealed with a non-hardening mastic (silicone caulk). When positioning the outdoor mounting plate (F) for installation ensure the offset hole is located to the right of the mounting plate.
8. Before attaching the vent cap (A) to the exterior wall, run a bead of non-hardening mastic (silicone caulk) around its outside edge, so as to make a seal between it and the outdoor mounting plate (F).
9. Slide the vent cap (A) into position and secure into place using the provided nut (E). Tighten nut (E) down until the vent cap (A) leans against the outdoor mounting plate (F) (see figure 9).
10. Secure the rain shield (J) to the outdoor mounting plate (F)

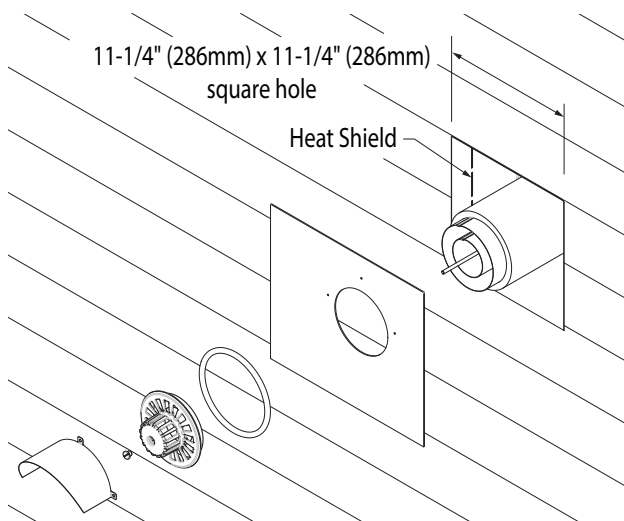


Figure 9

11. Bend the three tabs located on the rain shield (J) out. Hand-bend the rain shield (J) into a semi-circle and align with the mounting holes located in the outdoor mounting plate (F).

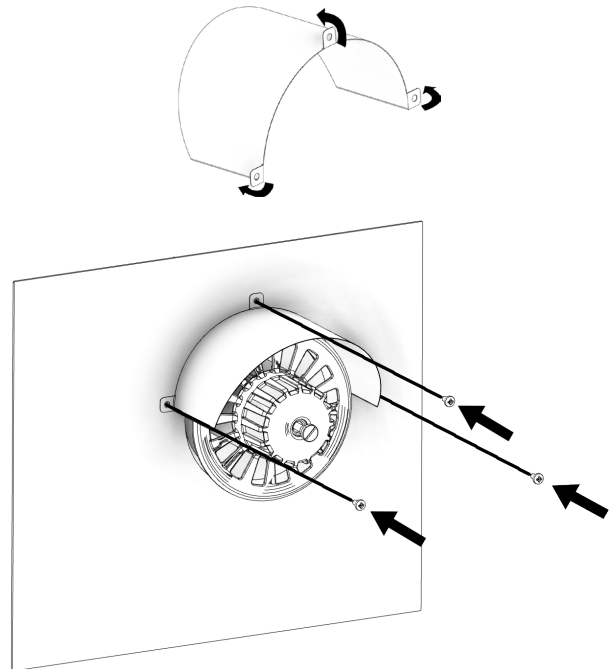


Figure 10

## GAS CONNECTION

1. We recommend using only new black iron or steel pipe. CHECK LOCAL CODES.
2. The gas supply line shall be sized and installed to provide a sufficient supply of gas to meet the maximum demand of the heater without undue loss of pressure.
3. The sealant used on the threaded joints of the gas pipe must be a type resistant to the action of L.P. Gas. (This sealant should be applied lightly to main threads to ensure excess sealant does not enter lines.)
4. The supply system must include a manual shut off valve and connection in the line, so the heater can be disconnected for servicing.
5. Include a drip leg (trap) and a plugged 1/8" N.P.T. tapping in the line. The tapping should be accessible for test gauge connections upstream of the gas supply connection to the heater.

### IMPORTANT:

**HOLD THE GAS INLET OF THE APPLIANCE WITH WRENCH WHEN CONNECTING IT TO GAS PIPING AND/OR FITTINGS.**

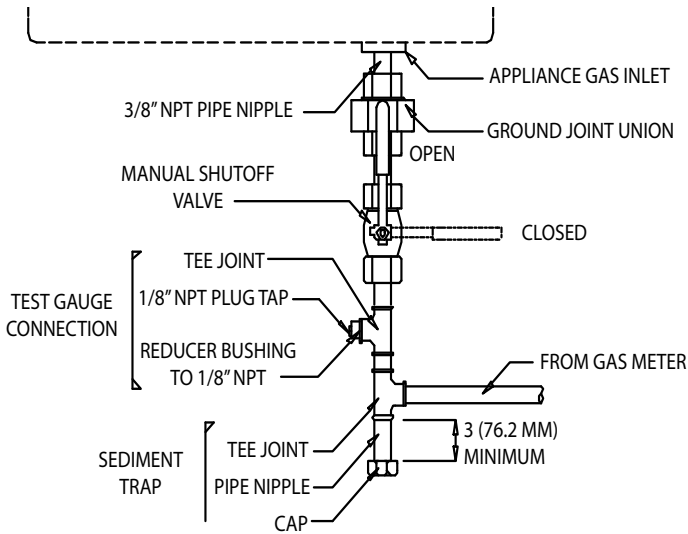


Figure 11

Max Inlet Pressure	
Nat. Gas	10.5" W.C.
L.P. Gas	14" W.C.

**WARNING:**

- **FOR L.P. GAS, USE PRESSURE REGULATED GAS SUPPLY. DO NOT DIRECTLY CONNECT LP SUPPLY TANK TO THE PRESSURE REGULATOR ON THE HEATER. THE LP SUPPLY TANK MUST HAVE ITS OWN SEPARATE PRESSURE REGULATOR THAT CAN REDUCE THE SUPPLY TANK GAS PRESSURE DOWN TO A MAXIMUM OF 14 INCHES (355 MM) OF WATER COLUMN PRESSURE.**
- **ALL GAS PIPING AND CONNECTIONS MUST BE TESTED FOR LEAKS AFTER INSTALLATION OR SERVICING. ALL LEAKS MUST BE CORRECTED IMMEDIATELY.**

**CHECK AFTER GAS CONNECTION**

1. Make sure the control of the heater is in the "OFF" position.
2. Open the manual shut off valve. Test for leaks by applying liquid detergent to all joints. Check all joints from gas meter to thermostat gas valve. (Bubbles forming indicate a gas leak)
3. Correct any leak defect at once.

**CAUTION:**

**NEVER USE AN OPEN FLAME TO CHECK FOR LEAKS**

**PRESSURE TESTING SUPPLY LINE**

ATTENTION: This appliance and its appliance main gas valve must be disconnected from the gas supply piping system during any pressure testing of that system at test pressures in excess of 1/2 psi (3,5 kPa). The appliance must be isolated from the gas supply piping system by closing equipment shutoff valve during any pressure testing of the gas supply piping system at test pressures equal to or less than 1/2 psi (3,5 kPa).

**MANIFOLD PRESSURE CHECK**

The burner pressure should be checked at the pressure test point located in the bottom right-hand side of the unit, next to the firebox assembly. Note: The manifold pressure tap fitting is accessible through the bottom of the unit.

The pressure should be checked with the heater burning and the control set to high.

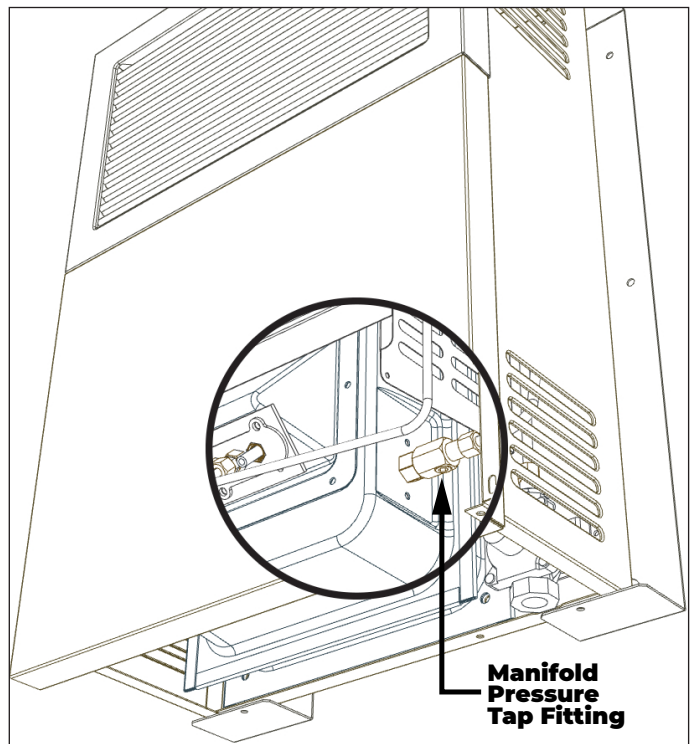


Figure 12

**HIGH ALTITUDE INSTALLATIONS**

This appliance may be installed at higher altitudes. Please refer to National Fuel Gas Code ANSI Z223.1/NFPA 54, CSA-B149.1 Natural Gas and Propane Installation Code, local authorities, or codes having jurisdiction in your area regarding derate guidelines. Per the above referenced codes, for elevations above 2,000 ft (610 m), input ratings are to be reduced by 4% for each 1,000 ft (305 m).

**WARNING:**

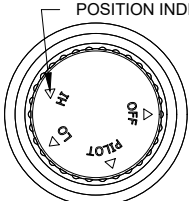
**IF YOU DO NOT FOLLOW THESE INSTRUCTIONS EXACTLY, A FIRE EXPLOSION MAY RESULT CAUSING PROPERTY DAMAGE, PERSONAL INJURY OR LOSS OF LIFE.**

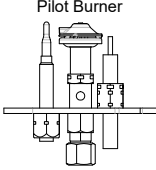
### LIGHTING INSTRUCTIONS

1. STOP! Read the safety information on the attached plate.
2. Ensure the gas supply to the heater is on.
3. Set the thermostat to the lowest setting (if applicable).
4. Slightly push in the gas control knob and turn it clockwise to the "OFF" position. Do not force.

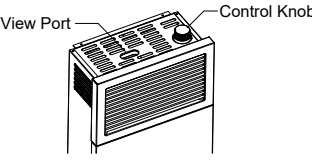
**NOTE:** The knob cannot be turned from "PILOT" to "OFF" unless it is pushed in slightly. Do not force.

5. Wait five (5) minutes to clear out any gas. If you then smell gas, STOP! Follow "B" on the attached safety information plate. If you don't smell gas, go to the next step.
6. Locate the pilot by looking through the view port located on the top of the appliance.





Pilot Burner



View Port      Control Knob

7. With the control knob slightly pushed in, turn the control knob counterclockwise to "PILOT". Once the control knob is in the "PILOT" position, fully press the control knob down. This should cause the spark from the ignitor to light the pilot gas. Keep the control knob depressed for ten (10) seconds before releasing. If the pilot does not light, repeat step 6. **NOTE:** It may be necessary to press the control knob for thirty (30) seconds if this is the first time the heater is connected to the gas supply. If the control knob does not pop up when released, STOP and immediately call your service technician or gas supplier. If the pilot will not stay lit after several tries, turn the gas control knob to "OFF" and call your service technician or gas supplier.
8. When the pilot is lit, turn the control knob counterclockwise to the desired heating level.
9. Set the thermostat to the desired setting (if applicable).

---

### TO TURN OFF GAS TO APPLIANCE

1. Set thermostat to lowest setting. (If applicable).
2. Turn control knob clockwise to the "OFF" position. Do not Force.  
**CAUTION:** Wait five (5) minutes before re-lighting heater.

854014

Figure 13

**CAUTION:**

**DO NOT TRY TO ADJUST HEATING LEVELS BY USING THE MANUAL SHUTOFF VALVE.**

**FOR YOUR SAFETY READ BEFORE LIGHTING**

**WARNING:**

**IF YOU DO NOT FOLLOW THESE INSTRUCTIONS EXACTLY, A FIRE OR EXPLOSION MAY RESULT CAUSING PROPERTY DAMAGE, PERSONAL INJURY, OR LOSS OF LIFE.**

- A. This appliance has a pilot which must be lit manually. When lighting the pilot, follow these instructions exactly.
- B. BEFORE LIGHTING, smell around the appliance area for gas. Be sure to smell next to the floor because some gas is heavier than air and will settle on the floor.

**WHAT TO DO IF YOU SMELL GAS**

- Do not try to light any appliance.
- Do not touch any electric switch; do not use any phone in your building.
- Immediately call your gas supplier from a neighbor's phone. Follow the gas supplier's instructions.
- If you cannot reach your gas supplier, call the fire department.
- C. Use only your hand to turn the gas control manual valve. Never use tools. If the valve will not turn by hand, do not try to repair it; call a qualified service technician. Force or attempted repair may result in a fire or explosion.
- D. Do not use this appliance if any part has been under water. Immediately call a qualified service technician inspect the appliance and to replace any part of the control system and any gas control that has been under water.

**LIGHTING INSTRUCTIONS**

1. STOP! Read the safety information in this manual.
2. Ensure the gas supply to the heater is on.

3. Slightly push down the gas control knob and turn it clockwise to the "OFF" position. Do not force. NOTE: The knob cannot be turned from "PILOT" to "OFF" unless it is pushed in slightly downward. Do not force.
4. If appliance does not light. Wait five (5) minutes to clear out any gas. If you then smell gas, STOP! Follow "B" in the "For Your Safety Read Before Lighting" section of this manual. If you don't smell gas, go to the next step.
5. Locate the pilot by looking through the view port located on the top of the appliance.
6. With the control knob slightly pushed downward, turn the control knob counterclockwise to "PILOT". Once the control knob is in the "PILOT" position, fully press the control knob down. This should cause the spark from the ignitor to light the pilot gas. Keep the control knob depressed for ten (10) seconds before releasing. If the pilot does not light, repeat step 5. NOTE: It may be necessary to press the control knob for up to thirty (30) seconds if this is the first time the heater is connected to the gas supply. If the control knob does not pop up when released, STOP and immediately call your service technician or gas supplier. If the pilot will not stay lit after several tries, turn the gas control knob to "OFF" and call your service technician or gas supplier.
7. When the pilot is lit, turn the control knob counterclockwise to the desired heating level.

**TO TURN OFF GAS TO APPLIANCE**

1. Turn control knob clockwise to the "OFF" position. Do not Force.

**CAUTION:**

**WAIT FIVE (5) MINUTES BEFORE RE-LIGHTING HEATER.**



**IMPORTANT:**

- **DO NOT DRY CLOTHES OVER THE HEATER.**
- **DO NOT SPRAY ANY AEROSOL NEAR THE HEATER WHEN FUNCTIONING. DO NOT STORE THESE ELEMENTS NEAR THE APPLIANCE.**
- **DO NOT TOUCH GRILL TO AVOID BURNS.**
- **AVOID BLOCKING AIR INLET AND HOT AIR OUTLET.**
- **DO NOT SPILL WATER OVER THE HEATER AS IT MAY CAUSE CORROSION OR DAMAGE.**
- **DO NOT TOUCH VENT CAP WHILE HEATER IS OPERATING, TO AVOID BURNS.**
- **IF YOU SMELL GAS, SHUT OFF CONTROL VALVE, OPEN DOORS AND WINDOWS AND DO NOT LIGHT ANY ELECTRICAL FIXTURE NEAR THE HEATER. CALL YOUR GAS SUPPLIER.**

NOTE: It is normal for the new wall furnace to give some odor the first time it is burned. This is due to the curing of the paint and any undetected oil from the manufacturing process. It is recommended to burn a new wall furnace for at least two (2) hours the first time that it is used.

**CAUTION:**

**YOU MUST KEEP CONTROL AREAS AND CIRCULATING AIR PASSAGEWAYS OF HEATER CLEAN. INSPECT THESE AREAS OF HEATER BEFORE EACH USE. HAVE HEATER INSPECTED YEARLY BY A QUALIFIED SERVICE PERSON. HEATER MAY NEED MORE FREQUENT CLEANING DUE TO EXCESSIVE LINT FROM CARPETING, BEDDING MATERIAL, ETC. VERIFY PROPER OPERATION AFTER SERVICING.**

**ATTENTION:**

**VERIFY PROPER OPERATION AFTER SERVICING**

**\* Installation and service must be performed by a qualified installer, service agency or the gas supplier \***

## CLEANING & MAINTENANCE

- Exterior - Use a soft cloth dampened with a mild soap and water mixture. Wipe the cabinet to remove dust.
- Air Passageways - Use a vacuum cleaner or pressurized air to clean.
- Vent Cap - Use a vacuum cleaner or pressurized air to clean.
- Pilot and Burner - Periodically visually check the pilot and burner flames (view flames through view port). The correct flame pattern should be viewed by looking through the view port on top of the unit.

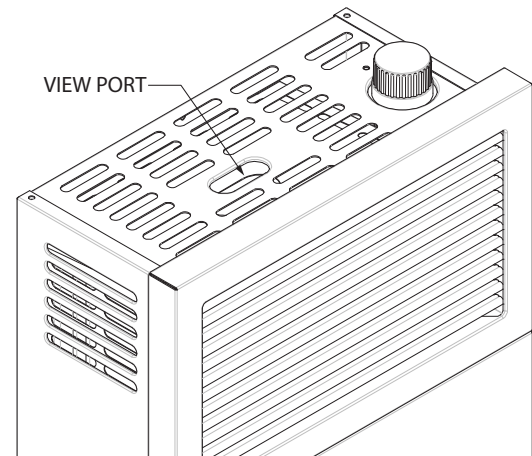
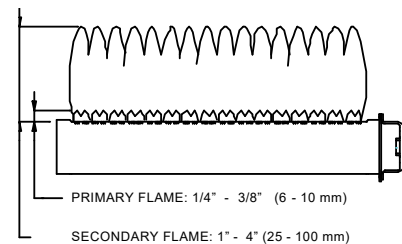


Figure 14

The correct flame pattern of pilot and main burner are shown in the provided figures.



Correct main burner flame pattern

Figure 15

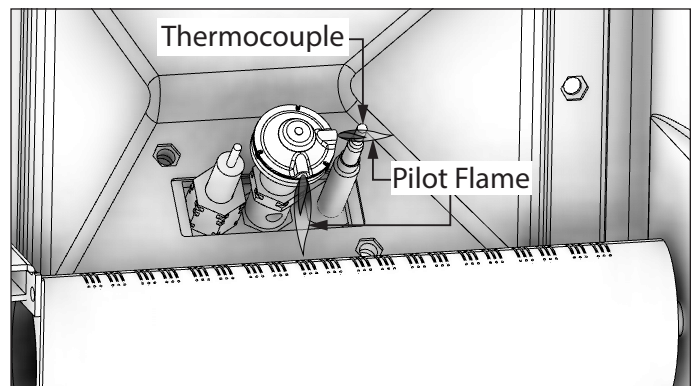
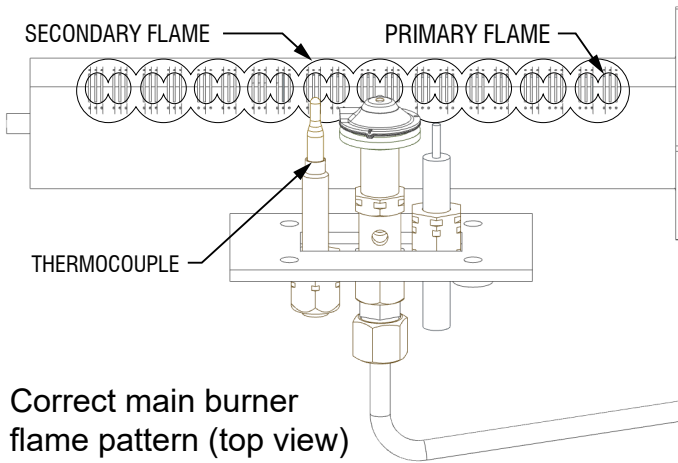


Figure 16



Correct main burner flame pattern (top view)

Figure 17

**CLEANING THE MAIN BURNER ORIFICE & MAIN BURNER**

1. Turn OFF gas supply to the heater.
2. Remove casing assembly.
3. Disconnect burner tubing and remove orifice holder.
4. Apply compressed air to the orifice holder assembly to remove dust, lint or spider webs.
5. Apply compressed air through the hole on the combustion chamber wall where the orifice holder was originally located to remove dust, lint or spider webs.
6. As parts are being replaced in reverse order, check for gas leaks at all gas connections before replacing the casing assembly.

**HOW TO ORDER REPAIR PARTS**

**For Parts Assistance Call: 800-750-2723 Ext 5051 or Email: [parts@usstove.com](mailto:parts@usstove.com)**

The information in this owner's manual is specific to your unit. When ordering replacement parts the information in this manual will help to ensure the correct items are ordered. Before contacting customer service write down the model number and the serial number of this unit. That information can be found on the certification label attached to the unit. Other information that may be needed would be the part number and part description of the item(s) in question. Part numbers and descriptions can be found in the "Repair Parts" section of this manual. Once this information has been gathered you can contact customer service by phone 1-800-750-2723 Ext 5051 or Email [parts@usstove.com](mailto:parts@usstove.com).

Model Information	
Model Number	
Serial Number	

**WARNING:**

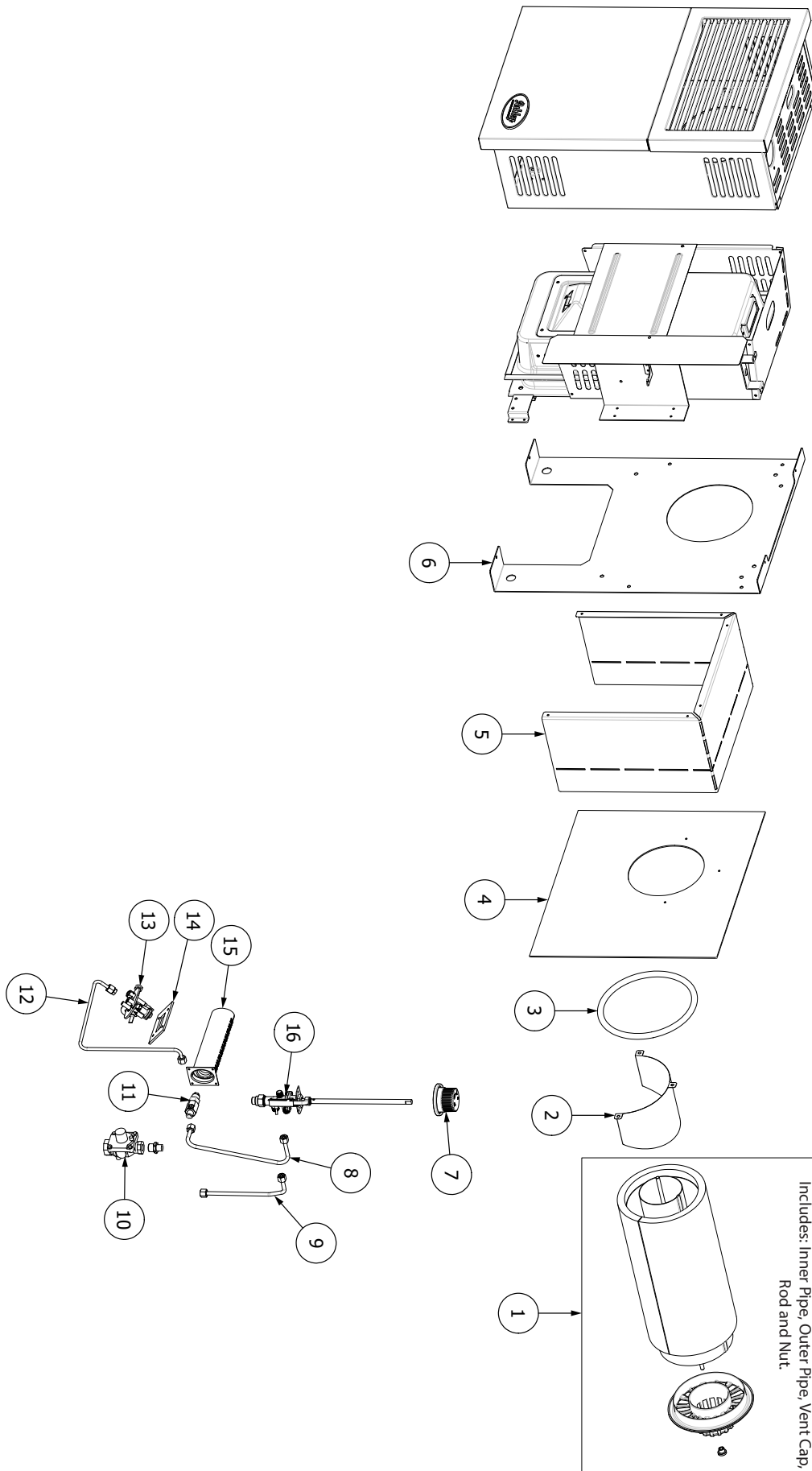
**TURN OFF HEATER AND LET COOL BEFORE SERVICING. ONLY A QUALIFIED SERVICE PERSON SHOULD SERVICE AND REPAIR HEATER.**

<b>PROBLEM</b>	<b>POSSIBLE CAUSE</b>	<b>REMEDY</b>
When ignitor button is pressed, there is no spark at pilot.	Ignitor electrode broken.	Replace ignitor electrode.
	Ignitor electrode not connected to ignitor cable.	Reconnect ignitor cable.
	Ignitor cable pinched or wet.	Free ignitor cable if pinched by any metal or tubing. Keep ignitor cable dry.
	Broken ignitor cable.	Replace ignitor cable.
	Bad piezo ignitor.	Replace piezo ignitor.
When ignitor button is pressed, there is spark at pilot but no ignition.	Gas supply is turned off or manual shutoff valve closed.	Turn on gas supply or open manual shutoff valve.
	Control knob not in PILOT position.	Turn control knob to PILOT position.
	Control knob not pressed in while in pilot position.	Press in control knob while in PILOT position.
	Air in gas lines when installed.	Continue holding down control knob. Repeat igniting operation until air is removed.
Pilot lights but flame goes out when control knob is released.	Control knob not fully pressed in.	Press in control knob fully.
	Control knob not depressed long enough.	After pilot lights, keep control knob pressed up to 30 seconds.
	Manual shutoff valve not fully open.	Fully open manual shutoff valve.
	Pilot flame not touching thermocouple, which allows thermocouple to cool, causing pilot flame to go out. This problem could be caused by one or both of the following: Low gas pressure. Dirty or partially clogged pilot.	Contact local gas company. Clean pilot or replace pilot assembly.
	Thermocouple damaged.	Replace thermocouple.
	Control valve damaged.	Replace control valve.
Burner does not light after pilot is lit.	Burner or orifice is clogged.	Clean burner and orifice or replace burner orifice.
	Burner orifice diameter is too small.	Replace burner orifice.
	Inlet gas pressure is too low.	Contact local Gas Company.
Slight smoke or odor during initial operation.	Residues from manufacturing processes.	It is normal for the new wall furnace to give some odor the first time it is burned. This is due to the curing of the paint and any undetected oil from the manufacturing process. Burn a new wall furnace for at least two (2) hours the first time that it is used.

PROBLEM	POSSIBLE CAUSE	REMEDY
Heater produces a clicking/ticking noise just after burner is lit or shut off.	Metal expanding while heating or contracting while cooling.	This is common with most heaters. If noise is excessive, contact qualified service person.
Heater shuts off in use.	Low line pressure.	Contact your qualified gas technician
	Pilot is partially clogged.	Clean pilot.
Gas odor even when control knob is in OFF position.	Gas leak. See WARNING statement below.	Exit your home immediately and call your gas supplier from a neighbor's phone. Follow the gas supplier's instructions. Replace control valve.
	Control valve defective.	

**WARNING IF YOU SMELL GAS:**

- **SHUT OFF GAS SUPPLY.**
- **DO NOT TRY TO LIGHT ANY APPLIANCE**
- **DO NOT TOUCH ANY ELECTRICAL SWITCH, DO NOT USE ANY PHONE IN YOUR BUILDING.**
- **IMMEDIATELY CALL YOUR GAS SUPPLIER FROM A NEIGHBOR'S PHONE. FOLLOW THE GAS SUPPLIER'S INSTRUCTIONS.**
- **IF YOU CANNOT REACH YOUR GAS SUPPLIER, CALL THE FIRE DEPARTMENT.**



Key	Part #	Description	Qty
1	893984	Vent Pipe Kit (Includes inner/outer pipe, vent cap, hardware)	1
2	894008	Rain Shield	1
3	88370	Silicone Seal	1
4	893978	Outdoor Mounting Plate	1
5	28994	Shield	1
6	893952	Wall Bracket	1
7	893999	Control Knob	1
8	81367	Burner Tube Connection	1
9	81368	Regulator Connection Tube	1
10	81307	Gas Regulator (NAT)	1
	81308	Gas Regulator (LP)	1
11	81371	Fitting, Pressure Tap	1
12	81366	Pilot Connection Tube	1
13	81347	Pilot Assembly (NAT)	1
	81303	Pilot Assembly (LP)	1
14	88368	Pilot Gasket	1
15	81369	Burner	1
16	81370	Gas Control Valve	1
17	81375	Orifice - 1.24mm (NAT)	1
	81386	Orifice - #67 DMS (LP)	1

To order parts:

Call 1-800-750-2723 Ext 5051 or

Email to: [parts@usstove.com](mailto:parts@usstove.com)

**IN ORDER TO MAINTAIN WARRANTY, COMPONENTS MUST BE REPLACED USING ORIGINAL MANUFACTURERS PARTS PURCHASED THROUGH YOUR DEALER OR DIRECTLY FROM THE APPLIANCE MANUFACTURER. USE OF THIRD PARTY COMPONENTS WILL VOID THE WARRANTY.**

# SERVICE RECORD



It is recommended that your heating system is serviced regularly and that the appropriate Service Interval Record is completed.

## SERVICE PROVIDER

Before completing the appropriate Service Record below, please ensure you have carried out the service as described in the manufacturer's instructions. Always use the manufacturer's specified spare part when replacement is necessary.

<b>Service 01</b>	Date: _____
Engineer Name: _____	
License No.: _____	
Company: _____	
Telephone No.: _____	
Stove Inspected: <input type="checkbox"/>	Chimney Swept: <input type="checkbox"/>
Items Replaced: _____	

<b>Service 02</b>	Date: _____
Engineer Name: _____	
License No.: _____	
Company: _____	
Telephone No.: _____	
Stove Inspected: <input type="checkbox"/>	Chimney Swept: <input type="checkbox"/>
Items Replaced: _____	

<b>Service 03</b>	Date: _____
Engineer Name: _____	
License No.: _____	
Company: _____	
Telephone No.: _____	
Stove Inspected: <input type="checkbox"/>	Chimney Swept: <input type="checkbox"/>
Items Replaced: _____	

<b>Service 04</b>	Date: _____
Engineer Name: _____	
License No.: _____	
Company: _____	
Telephone No.: _____	
Stove Inspected: <input type="checkbox"/>	Chimney Swept: <input type="checkbox"/>
Items Replaced: _____	

<b>Service 05</b>	Date: _____
Engineer Name: _____	
License No.: _____	
Company: _____	
Telephone No.: _____	
Stove Inspected: <input type="checkbox"/>	Chimney Swept: <input type="checkbox"/>
Items Replaced: _____	

<b>Service 06</b>	Date: _____
Engineer Name: _____	
License No.: _____	
Company: _____	
Telephone No.: _____	
Stove Inspected: <input type="checkbox"/>	Chimney Swept: <input type="checkbox"/>
Items Replaced: _____	

<b>Service 07</b>	Date: _____
Engineer Name: _____	
License No.: _____	
Company: _____	
Telephone No.: _____	
Stove Inspected: <input type="checkbox"/>	Chimney Swept: <input type="checkbox"/>
Items Replaced: _____	

<b>Service 08</b>	Date: _____
Engineer Name: _____	
License No.: _____	
Company: _____	
Telephone No.: _____	
Stove Inspected: <input type="checkbox"/>	Chimney Swept: <input type="checkbox"/>
Items Replaced: _____	







Il est recommandé que votre système de chauffage est desservi régulièrement et que le Service Interval enregistré soit approprié est terminée.

**Fournisseur de services**

Avant de terminer l'enregistrement de service approprié ci-dessous, s'il vous plaît vous assurer que vous avez effectué le service tel que décrit dans les instructions du fabricant. Toujours utiliser pièce de rechange indiquée par le fabricant lors de remplacement est nécessaire.

**Service de 02**

Date: \_\_\_\_\_

Nom de l'ingénieur: \_\_\_\_\_

N° de licence: \_\_\_\_\_

Compagnie: \_\_\_\_\_

N° de téléphone: \_\_\_\_\_

Poêle inspecté:  Cheminée balayée:

Articles Remplacés: \_\_\_\_\_

**Service de 01**

Date: \_\_\_\_\_

Nom de l'ingénieur: \_\_\_\_\_

N° de licence: \_\_\_\_\_

Compagnie: \_\_\_\_\_

N° de téléphone: \_\_\_\_\_

Poêle inspecté:  Cheminée balayée:

Articles Remplacés: \_\_\_\_\_

**Service de 04**

Date: \_\_\_\_\_

Nom de l'ingénieur: \_\_\_\_\_

N° de licence: \_\_\_\_\_

Compagnie: \_\_\_\_\_

N° de téléphone: \_\_\_\_\_

Poêle inspecté:  Cheminée balayée:

Articles Remplacés: \_\_\_\_\_

**Service de 03**

Date: \_\_\_\_\_

Nom de l'ingénieur: \_\_\_\_\_

N° de licence: \_\_\_\_\_

Compagnie: \_\_\_\_\_

N° de téléphone: \_\_\_\_\_

Poêle inspecté:  Cheminée balayée:

Articles Remplacés: \_\_\_\_\_

**Service de 06**

Date: \_\_\_\_\_

Nom de l'ingénieur: \_\_\_\_\_

N° de licence: \_\_\_\_\_

Compagnie: \_\_\_\_\_

N° de téléphone: \_\_\_\_\_

Poêle inspecté:  Cheminée balayée:

Articles Remplacés: \_\_\_\_\_

**Service de 05**

Date: \_\_\_\_\_

Nom de l'ingénieur: \_\_\_\_\_

N° de licence: \_\_\_\_\_

Compagnie: \_\_\_\_\_

N° de téléphone: \_\_\_\_\_

Poêle inspecté:  Cheminée balayée:

Articles Remplacés: \_\_\_\_\_

**Service de 08**

Date: \_\_\_\_\_

Nom de l'ingénieur: \_\_\_\_\_

N° de licence: \_\_\_\_\_

Compagnie: \_\_\_\_\_

N° de téléphone: \_\_\_\_\_

Poêle inspecté:  Cheminée balayée:

Articles Remplacés: \_\_\_\_\_

**Service de 07**

Date: \_\_\_\_\_

Nom de l'ingénieur: \_\_\_\_\_

N° de licence: \_\_\_\_\_

Compagnie: \_\_\_\_\_

N° de téléphone: \_\_\_\_\_

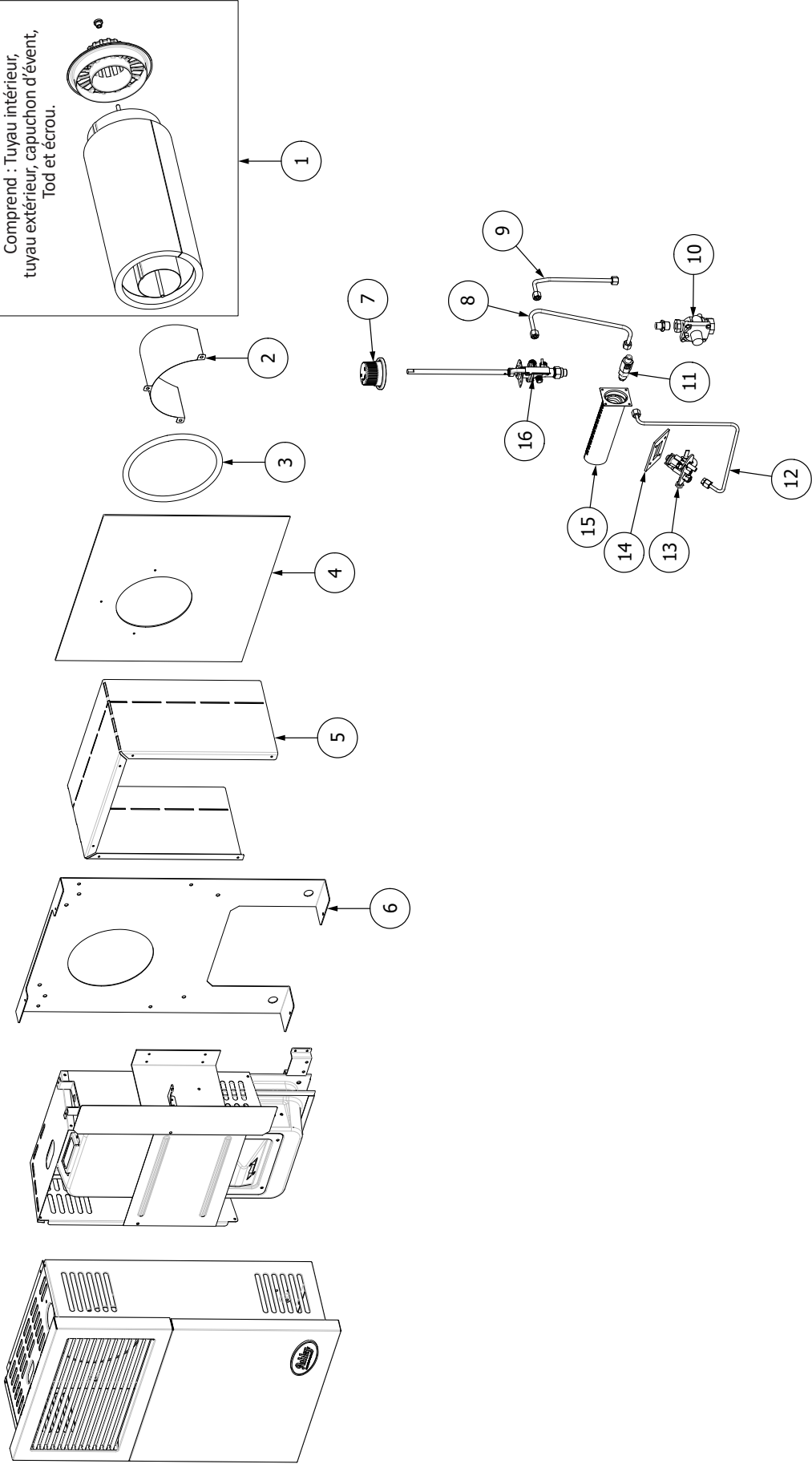
Poêle inspecté:  Cheminée balayée:

Articles Remplacés: \_\_\_\_\_

Clé	N° de pièce	Description	Qté
1	893984	Kit de tuyau d'évent (comprend le tuyau intérieur/extérieur, le capuchon d'évent et la quincaillerie)	1
2	894008	Bouclier de protection contre la pluie	1
3	88370	Joint en silicone	1
4	893978	Plaque de montage d'extérieur	1
5	28994	Bouclier	1
6	893952	Support mural	1
7	893999	Bouton de commande	1
8	81367	Raccordement du tube du brûleur	1
9	81368	Tube de raccordement du régulateur	1
10	81307	Régulateur de gaz (NAT)	1
	81308	Régulateur de gaz (GPL)	1
11	81371	Raccord, prise de pression	1
12	81366	Tube de raccordement de la veilleuse	1
13	81347	Assemblage de la veilleuse (NAT)	1
	81303	Assemblage de la veilleuse (GPL)	1
14	88368	Joint de la veilleuse	1
15	81369	Brûleur	1
16	81370	Vanne de contrôle du gaz	1
17	81375	Orifice - 1,24mm (NAT)	1
	81386	Orifice - No 67 DMS (GPL)	1

Comment effectuer la commande de pièces de réparation  
 1 800 750-2723 poste 5051 ou;  
 Envoyez un courriel à : parts@usstove.com

**AFIN DE CONSERVER LA GARANTIE, LES COMPOSANTS DOIVENT ÊTRE REMPLACÉS PAR DES PIÈCES D'ORIGINE DU FABRICANT ACHETÉES AUPRÈS DE VOTRE REVENDEUR OU DIRECTEMENT AUPRÈS DU FABRICANT DE L'APPAREIL. L'UTILISATION DE COMPOSANTES PROVENANT DE TIERS ANNULERA LA GARANTIE.**



<p><b>AVERTISSEMENT SI VOUS SENTEZ UNE ODEUR DE GAZ :</b></p>	<ul style="list-style-type: none"> <li>• <b>COUPEZ L'ALIMENTATION EN GAZ.</b></li> <li>• <b>N'ALLUMEZ AUCUN APPAREIL</b></li> <li>• <b>N'APPUYEZ SUR AUCUN INTERRUPTEUR ÉLECTRIQUE ET N'UTILISEZ AUCUN TÉLÉPHONE DANS LE BÂTIMENT.</b></li> <li>• <b>RENDEZ-VOUS CHEZ VOTRE VOISIN ET APPELÉZ IMMÉDIATEMENT VOTRE FOURNISSEUR DE GAZ. SUIVEZ LES INSTRUCTIONS DU FOURNISSEUR DE GAZ;</b></li> <li>• <b>SI VOUS N'ARRIVEZ PAS À JOINDRE VOTRE FOURNISSEUR DE GAZ, APPELÉZ LE SERVICE D'INCENDIE.</b></li> </ul>
---	--

PROBLÈME	CAUSE POSSIBLE	SOLUTION
<p>Léger dégagement de fumée ou d'odeur pendant la première utilisation.</p> <p>L'appareil de chauffage produit un cliquetis ou un claquement juste après que le brûleur soit éteint.</p>	<p>Résidus du processus de fabrication.</p> <p>Le métal se dilate sous la chaleur et se contracte lorsqu'il refroidit.</p>	<p>Il est normal que la nouvelle fournaise murale dégage une certaine odeur la première fois qu'elle est allumée. Cela est dû au durcissement de la peinture et à toute huile non détectée lors du processus de fabrication. Brûlez une nouvelle fournaise murale pendant au moins deux (2) heures la première fois qu'elle est utilisée.</p> <p>Ceci est commun chez la plupart des appareils de chauffage. Si le bruit est excessif, contactez un technicien qualifié.</p>
<p>Le radiateur s'éteint lorsqu'il est utilisé.</p>	<p>Faible pression d'alimentation.</p> <p>La veilleuse est partiellement bloquée.</p>	<p>Contactez votre technicien gaz qualifié</p> <p>Nettoyez la veilleuse.</p>
<p>Odeur de gaz, même lorsque le bouton de commande est à OFF.</p>	<p>Fuite de gaz. Voir l'AVERTISSEMENT ci-dessous.</p> <p>La vanne de contrôle est défectueuse.</p>	<p>Quittez immédiatement votre maison et appelez votre fournisseur de gaz depuis le téléphone d'un voisin. Suivez les instructions du fournisseur de gaz.</p> <p>Remplacer la vanne de contrôle.</p>

**AVERTISSEMENT :**  
**ÉTEINDRE LE RADIATEUR ET LE LASSER REFRROIDIR AVANT L'ENTRETIEN. SEUL UN TECHNICIEN QUALIFIÉ DEVAIT ENTRETIENIR ET RÉPARER LE RADIATEUR.**

PROBLÈME	CAUSE POSSIBLE	SOLUTION
Il n'y a aucune étincelle sur la veilleuse lorsqu'on appuie sur le bouton de l'armoire.	L'électrode de l'armoire n'est pas connectée au câble de l'armoire. Remplacer l'électrode de l'armoire.	Reconnecter le câble de l'armoire.
Il a une étincelle sur la veilleuse lorsqu'on appuie sur le bouton de l'armoire.	Le câble de l'armoire est coincé ou mouillé. Le câble de l'armoire est brisé.	Décoincez le câble de l'armoire s'il est coincé par un morceau de métal ou un tuyau. Assurez-vous que le câble de l'armoire soit sec. Remplacer le câble de l'armoire.
Mauvais armoire piézo.	Le câble de l'armoire est brisé.	Remplacer l'armoire piézo.
Il a une étincelle sur la veilleuse lorsqu'on appuie sur le bouton de l'armoire, mais rien ne s'allume.	Le bouton de commande ne peut pas être enfoncé au complet. Le bouton de commande n'a pas été pressé assez longtemps. La vanne d'arrêt manuel n'est pas complètement ouverte.	Appuyez sur le bouton de commande lorsqu'il se trouve en position PILOT (VEILLEUSE). Tournez le bouton de commande à PILOT (VEILLEUSE). L'approvisionnement en gaz est arrêté ou la vanne d'arrêt manuel est fermée. Mauvais armoire piézo.
La veilleuse s'allume, mais la flamme s'éteint lorsque le bouton de commande est relâché.	La flamme de la veilleuse ne touche pas le thermocouple, ce qui fait en sorte que celui-ci refroidit et éteint la flamme. Ce problème pourrait être causé par l'une ou l'autre des situations suivantes, ou par les deux : Faible pression du gaz. Veilleuse entièrement ou en partie bouchée.	Continuez à appuyer sur le bouton de commande. Répétez l'opération d'ignition jusqu'à ce que l'air soit entièrement sorti. Enfoncé le bouton de commande complètement. Le bouton de commande n'a pas été pressé assez longtemps. Dès que la veilleuse s'allume, gardez le bouton de commande enfoncé pendant 30 secondes. Ouvrez la vanne d'arrêt manuel complètement.
La veilleuse s'allume, mais la flamme s'éteint pas le thermocouple, ce qui fait en sorte que celui-ci refroidit et éteint la flamme. Ce problème pourrait être causé par l'une ou l'autre des situations suivantes, ou par les deux : Faible pression du gaz. Veilleuse entièrement ou en partie bouchée.	Thermocouple endommagé. La vanne de contrôle est endommagée.	Communiquez avec l'entrepreneur de gaz locale. Nettoyez la veilleuse ou remplacez l'assemblage de la veilleuse. Remplacer le thermocouple. Remplacer la vanne de contrôle.
Le brûleur ne s'allume pas après que la veilleuse se soit allumée.	Le diamètre de l'orifice du brûleur est trop petit. La pression d'entrée du gaz est trop faible.	Nettoyer l'orifice du brûleur ou le remplacer. Remplacez l'orifice du brûleur.

Informations sur le modèle	
Numéro de modèle	Numéro de série

courriel à [parts@usstove.com](mailto:parts@usstove.com).

Les informations contenues dans le présent manuel du propriétaire sont spécifiques à votre appareil. Lorsque vous commandez des pièces de rechange, les informations contenues dans ce manuel vous aideront à commander les articles appropriés. Avant de contacter le service clientèle, notez le numéro de modèle et le numéro de cet appareil. Ces informations se trouvent sur l'étiquette de certification apposée à l'appareil. D'autres informations, telles que le numéro de pièce et la description de l'article ou des articles en question, peuvent être nécessaires. Les numéros et descriptions des pièces se trouvent dans la section « Pièces de rechange » du présent manuel. Une fois ces informations recueillies, vous pouvez contacter le service clientèle par téléphone au 1-800-750-2723, poste 5051 ou par

**Pour assistance relative aux pièces détachées : 800 750-2723 poste 5051 ou courriel à : [parts@usstove.com](mailto:parts@usstove.com)**

## COMMENT COMMANDER DES PIÈCES DE RECHANGE

1. FERMEZ l'alimentation en gaz du radiateur.
  2. Retirez la couverture de l'assemblage.
- ### NETTOYAGE DE L'ORIFICE DU BRÛLEUR PRINCIPAL

avant de replacer la couverture de l'assemblage.

3. Déconnectez le tubage du brûleur et retirez le support de l'orifice.
4. Poussez de l'air comprimé dans le support de l'orifice pour enlever la poussière, les peluches ou les toiles d'araignées.
5. Poussez de l'air comprimé dans les trous du mur de la chambre de combustion où le support de l'orifice se trouvait pour enlever la poussière, les peluches ou les toiles d'araignées.
6. Comme les pièces sont remplacées en ordre inverse, vérifiez les fuites de gaz de toutes les connexions avant de replacer la couverture de l'assemblage.

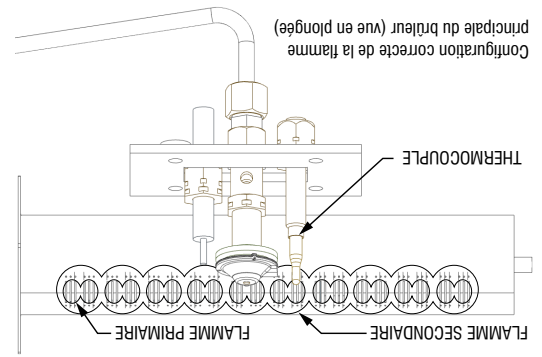


Figure 17

**IMPORTANT :**

- NE FAITES PAS SÉCHER DE VÊTEMENTS SUR LE RADIATEUR.
- NE PULVÉRISEZ PAS D'AÉROSOL PRÈS DU RADIATEUR LORSQUE CELUI-CI EST EN MARCHÉ. NE STOCKEZ PAS CES ÉLÉMENTS PRÈS DE L'APPAREIL.
- AFIN D'ÉVITER LES BRÛLURES, NE TOUCHEZ PAS LA GRILLE.
- ÉVITEZ DE BLOQUER LES ENTRÉES D'AIR ET LES SORTIES D'AIR CHAUD.
- NE RENSERSEZ PAS D'EAU SUR LE RADIATEUR, PUISQUE CELA POURRAIT ENTRAÎNER LA CORROSION OU DES DOMMAGES.
- AFIN D'ÉVITER LES BRÛLURES LORSQUE LE RADIATEUR EST EN MARCHÉ, NE TOUCHEZ PAS LE COUVERCLE DE VENTILATION.
- SI VOUS SENTEZ UNE ODEUR DE GAZ, FERMEZ LA VANNE DE CONTRÔLE, OUVREZ LES PORTES ET LES FENÊTRES ET N'ALLUMEZ AUCUN APPAREIL ÉLECTRIQUE À PROXIMITÉ DU POÊLE. APPELEZ VOTRE FOURNISSEUR DE GAZ.

REMARQUE : Il est normal que les nouvelles fournaises murales aient une certaine odeur lorsqu'elles sont allumées pour la première fois. Cela est dû au séchage de la peinture et d'huiles qui n'ont pas été détectées lors du processus de fabrication. Il est recommandé de laisser la fournaise murale allumée pendant au moins deux (2) heures lors de la première utilisation.

**AVERTISSEMENT :**

**VOUS DEVEZ MAINTENIR LES COMMANDES, LE BRÛLEUR ET LES CANAUX DE CIRCULATION DU RADIATEUR PROPRES. INSPECTEZ CES ZONES DE L'APPAREIL DE CHAUFFAGE AVANT CHAQUE UTILISATION. L'INSPECTION DEVAIT ÊTRE EFFECTUÉE PAR UN TECHNICIEN QUALIFIÉ. UN RADIATEUR POURRAIT NÉCESSITER UN ENTRETIEN PLUS FRÉQUENT EN RAISON DES PELUCHES DE CARPETTES, DE LA LITÉRIE, ETC. VÉRIFIEZ QUE L'APPAREIL FONCTIONNE BIEN APRÈS L'ENTRETIEN.**

**VÉRIFIEZ QUE L'APPAREIL FONCTIONNE BIEN APRÈS L'ENTRETIEN.**

**ATTENTION :**

**\* L'installation et l'entretien de l'appareil doivent être effectués par un installateur qualifié, un service d'entretien ou le fournisseur de gaz \***

**DÉGAGEMENT ET ENTRETIEN**

- Extérieur : à l'aide d'un chiffon doux humidifié à l'aide d'un mélange d'eau et de savon doux. Essuyez le caisson pour enlever la poussière.
- Canaux de circulation d'air : utilisez un aspirateur ou de l'air sous pression pour effectuer le nettoyage.
- Couverture de ventilation : utilisez un aspirateur ou de l'air sous pression pour effectuer le nettoyage.

Figure 16

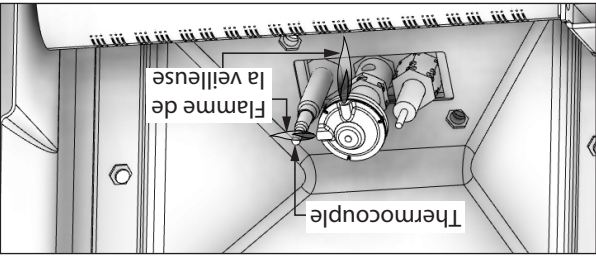
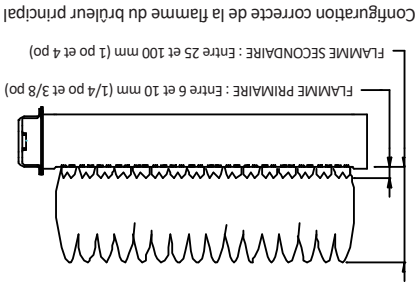
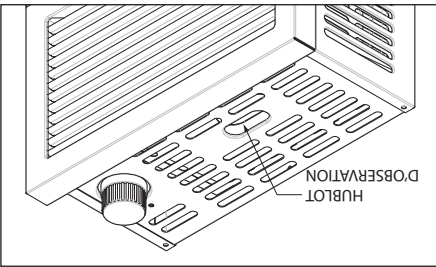


Figure 15



La configuration correcte de la flamme de la veilleuse du brûleur et du brûleur principal est indiquée dans les figures fournies.

Figure 14



- Veilleuse et brûleur : effectuez une inspection visuelle périodique de la veilleuse et de la flamme du brûleur (regardez les flammes à travers le hublot d'observation). La configuration correcte de la flamme devrait être aperçue en regardant à travers le hublot d'observation situé sur l'appareil.



## POUR VOTRE SÉCURITÉ, LISEZ AVANT ALLUMAGE

**SI VOUS NE RESPECTEZ PAS SCRUPULEUSEMENT CES INSTRUCTIONS, UN INCENDIE OU UNE EXPLOSION POURRAIT CAUSER DES DOMMAGES MATÉRIELS, DES DOMMAGE CORPORELS, OU LA MORT.**

**AVERTISSEMENT :**

A. Cet appareil est équipé d'une veilleuse qui doit être allumée manuellement. Lors de l'allumage de la veilleuse, suivez ces instructions à la lettre.

B. AVANT D'ALLUMER, essayez de détecter une odeur de gaz tout autour du poêle. N'oubliez pas de sentir près du sol, car certains gaz sont plus lourds que l'air et se déposent au sol.

• N'allumez aucun appareil.

• N'appuyez sur aucun interrupteur électrique et n'utilisez aucun téléphone dans le bâtiment.

• rendez-vous chez votre voisin et appelez immédiatement votre fournisseur de gaz. Suivez les instructions du fournisseur de gaz.

• si vous n'arrivez pas à joindre votre fournisseur de gaz, appelez le service d'incendie.

C. Tournez la vanne manuelle de commande du gaz uniquement à la main. Ne jamais utiliser d'outils. Si la vanne ne s'allume pas manuellement, n'essayez pas de la réparer : veuillez appeler un technicien qualifié. L'utilisation de la force ou une tentative de réparation peut entraîner un incendie ou une explosion.

D. N'utilisez pas cet appareil si l'un des composants a été immergé dans l'eau. Communiquez immédiatement avec un technicien d'entretien qualifié afin qu'il inspecte l'appareil et qu'il remplace tout système de contrôle ou contrôle de gaz ayant été immergé dans l'eau.

## INSTRUCTIONS D'ALLUMAGE

1. ARRÊTEZ! Lisez les informations de sécurité dans ce manuel.

2. Assurez-vous que l'alimentation en gaz de l'appareil est activée.

## COUPEZ L'ALIMENTATION EN GAZ DE L'APPAREIL.

1. Tournez le bouton de commande en sens horaire à la position « OFF ». Ne le forcez pas.

7. Lorsque la veilleuse est allumée, tournez le bouton de commande dans le sens inverse des aiguilles d'une montre jusqu'au niveau de chauffage souhaité.

4. Attendez cinq (5) minutes afin de dissiper tout gaz. Si vous décelez une odeur de gaz, ARRÊTEZ! Suivez la section « B » de la section « Pour votre sécurité, lisez avant l'éclairage » de ce manuel. Si vous ne détectez aucune odeur de gaz, allez à l'étape suivante.

5. Localisez la veilleuse en regardant à travers le hublot d'observation situé sur le dessus de l'appareil.

6. Avec le bouton de commande légèrement enfoncé, tournez le bouton de commande dans le sens contraire des aiguilles d'une montre sur « PILOT » (VEILLEUSE). Une fois que le bouton de commande est en position « PILOT » (VEILLEUSE), appuyez complètement sur le bouton de commande vers le bas. Cela devrait causer une étincelle dans l'amorceur afin d'allumer le gaz de la veilleuse. Gardez le bouton de commande enfoncé pendant dix (10) secondes avant de le relâcher. Si la veilleuse ne s'allume pas, répétez l'étape 6. REMARQUE : Il pourrait être nécessaire d'appuyer sur le bouton de commande pendant trente (30) secondes, si la radiateur est connecté à l'approvisionnement en gaz pour la première fois. Si le bouton de commande ne se déclenche pas lorsque vous le relâchez, ARRÊTEZ immédiatement et téléphonez au technicien d'entretien ou au fournisseur de gaz. Si la veilleuse ne reste pas allumée après plusieurs essais, faites passer le bouton de commande du gaz en position OFF (ARRÊT) et communiquez avec votre technicien d'entretien ou avec le fournisseur de gaz.

3. Enfoncez légèrement le bouton de commande du gaz et tournez-le dans le sens des aiguilles d'une montre sur la position « OFF » (ARRÊT). Ne le forcez pas. REMARQUE : Vous ne pouvez pas faire passer le bouton « PILOT » à « OFF » (ARRÊT) à moins d'appuyer légèrement sur ce dernier. Ne le forcez pas.

4. Attendez cinq (5) minutes afin de dissiper tout gaz. Si vous décelez une odeur de gaz, ARRÊTEZ! Suivez la section « B » de la section « Pour votre sécurité, lisez avant l'éclairage » de ce manuel. Si vous ne détectez aucune odeur de gaz, allez à l'étape suivante.

5. Localisez la veilleuse en regardant à travers le hublot d'observation situé sur le dessus de l'appareil.

6. Avec le bouton de commande légèrement enfoncé, tournez le bouton de commande dans le sens contraire des aiguilles d'une montre sur « PILOT » (VEILLEUSE). Une fois que le bouton de commande est en position « PILOT » (VEILLEUSE), appuyez complètement sur le bouton de commande vers le bas. Cela devrait causer une étincelle dans l'amorceur afin d'allumer le gaz de la veilleuse. Gardez le bouton de commande enfoncé pendant dix (10) secondes avant de le relâcher. Si la veilleuse ne s'allume pas, répétez l'étape 6. REMARQUE : Il pourrait être nécessaire d'appuyer sur le bouton de commande pendant trente (30) secondes, si la radiateur est connecté à l'approvisionnement en gaz pour la première fois. Si le bouton de commande ne se déclenche pas lorsque vous le relâchez, ARRÊTEZ immédiatement et téléphonez au technicien d'entretien ou au fournisseur de gaz. Si la veilleuse ne reste pas allumée après plusieurs essais, faites passer le bouton de commande du gaz en position OFF (ARRÊT) et communiquez avec votre technicien d'entretien ou avec le fournisseur de gaz.

**AVERTISSEMENT :**

**ATTENDEZ CINQ (5) MINUTES AFIN DE RALLUMER LE RADIATEUR.**

**AVERTISSEMENT :**  
**SI VOUS NE RESPECTEZ PAS SCRUPULEUSEMENT CES INSTRUCTIONS, DES BLESSURES ET MÊME LA MORT. DES DOMMAGES À LA PROPRIÉTÉ, DES BLESSURES ET MÊME LA MORT.**

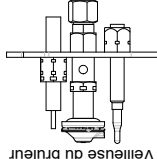
**INSTRUCTIONS D'ALLUMAGE**

- ARRÊTEZ! Lisez les informations de sécurité sur la plaque attachée.
- Assurez-vous que l'alimentation en gaz de l'appareil est activée.
- Réglez le thermostat sur la température la plus basse (le cas échéant).
- Enfoncez légèrement le bouton de commande du gaz et tournez-le dans le sens des aiguilles d'une montre sur la position « OFF » (ARRÊT). Ne le forcez pas.

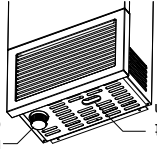
**REMARQUE :** Vous ne pouvez pas faire passer le bouton « PILOT » (VEILLEUSE) à « OFF » (ARRÊT) à moins d'appuyer légèrement sur ce dernier. Ne le forcez pas.

5. Attendez cinq (5) minutes afin de dissiper tout gaz. Si vous décelez une odeur de gaz, ARRÊTEZ! Suivre la rubrique « B » sur la plaque d'information de sécurité jointe. Si vous ne sentez rien, passez à l'étape suivante.

6. Localisez la veilleuse en regardant à travers le hublot d'observation situé sur le dessus de l'appareil.



Veilleuse du brûleur



Hublot d'observation  
Bouton de commande

7. Avec le bouton de commande légèrement enfoncé, tournez le bouton de commande dans le sens contraire des aiguilles d'une montre sur « PILOT » (VEILLEUSE). Une fois que le bouton de commande est en position « PILOT » (VEILLEUSE), appuyez complètement sur le bouton de commande vers le bas. Cela devrait causer une étincelle dans l'amorceur afin d'allumer le gaz de la veilleuse. Gardez le bouton de commande enfoncé pendant dix (10) secondes avant de le relâcher. Si la veilleuse ne s'allume pas, répétez l'étape 6. **REMARQUE :** Il pourrait être nécessaire d'appuyer sur le bouton de commande pendant trente (30) secondes, si le radiateur est connecté à l'alimentation en gaz pour la première fois. Si le bouton de commande ne se déclenche pas lorsque vous le relâchez, ARRÊTEZ immédiatement et téléphonez au technicien d'entretien ou au fournisseur de gaz. Si la veilleuse ne reste pas allumée après plusieurs essais, faites passer le bouton de commande du gaz en position OFF (ARRÊT) et communiquez avec votre technicien d'entretien ou avec le fournisseur de gaz.

8. Lorsque la veilleuse est allumée, tournez le bouton de commande dans le sens inverse des aiguilles d'une montre jusqu'au niveau de chauffage souhaité.

9. Réglez le thermostat sur la température souhaitée (le cas échéant).

**COUPEZ L'ALIMENTATION EN GAZ DE L'APPAREIL.**

- Placez le thermostat au paramètre le plus bas. (Le cas échéant).
- Tournez le bouton de commande en sens horaire à la position « OFF ».

**ATTENTION :** Attendez cinq (5) minutes avant de rallumer le radiateur. Ne le forcez pas.

Figure 13

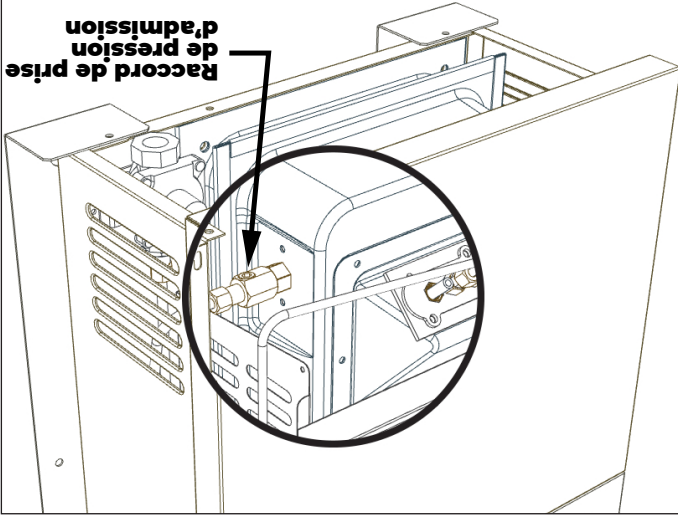
**NE TENTEZ PAS D'AJUSTER LES NIVEAUX À L'AIDE DE LA VANNE D'ARRÊT MANUEL.**

**AVERTISSEMENT :**

Cet appareil peut être installé à haute altitude. Veuillez vous reporter au National Fuel Gas Code ANSI Z223.1/NFPA 54, au Code sur l'installation des appareils au propane et au gaz naturel (CSA-B149.1), aux autorités locales ou aux codes ayant pouvoir dans votre région au sujet des directives réduites. Conformément aux codes susmentionnés, pour les altitudes supérieures à 2 000 pieds (610 m), les valeurs nominales d'entrée doivent être réduites de 4 % pour chaque 1 000 pieds (305 m).

**INSTALLATIONS EN HAUTE ALTITUDE**

Figure 12



La pression doit être vérifiée lorsque le chauffage est en marche et que la commande est réglée sur la position haute. La pression du collecteur (d'admission) est accessible par le bas de l'appareil.

**CONTRÔLE DE LA PRESSION DANS LE COLLECTEUR (D'ADMISSION)**

La pression du brûleur doit être vérifiée au point d'essai de pression situé en bas à droite de l'appareil, à côté de la boîte à combustion. Remarque : Le raccord de prise de pression du collecteur (d'admission) est accessible par le bas de l'appareil.

**TEST DE PRESSION DE LA CONDUITE D'ALIMENTATION**

**N'UTILISEZ JAMAIS DE FLAMME OUVERTE POUR VÉRIFIER LES FUITES**

**AVERTISSEMENT :**

**INSTALLATION**

1. Assurez-vous que la commande du radiateur est sur la position « Off » (fermer).
2. Ouvrez la vanne de fermeture manuelle. Vérifiez s'il y a des fuites en appliquant du détergent liquide sur les joints. Vérifiez tous les joints du compteur de gaz à la vanne de gaz thermostatique. (Si des bulles se forment, c'est qu'il y a une fuite.)
3. Corrigez les défauts en même temps.

**VÉRIFICATION APRÈS LA CONNEXION DES TUYAUX DE GAZ**

- POUR LE GAZ DE PÉTROLE LIQUÉFIÉ, UTILISEZ UN APPROVISIONNEMENT EN GAZ DONT LA PRESSION EST RÉGLÉE NE CONNECTEZ PAS LE RÉSERVOIR D'APPROVISIONNEMENT EN GAZ DE PÉTROLE LIQUÉFIÉ DIRECTEMENT AU RÉSERVOIR DU RADIATEUR. LE RÉSERVOIR D'APPROVISIONNEMENT EN GAZ DE PÉTROLE LIQUÉFIÉ DOIT POSSÉDER SON PROPRE RÉGULATEUR DE PRESSION POUVANT RÉDUIRE LA PRESSION DANS LE RÉSERVOIR D'APPROVISIONNEMENT EN GAZ JUSQU'À UN MAXIMUM DE 355 MM (14 PO DE COLONNE D'EAU).
- TOUTS LES TUYAUX DE GAZ ET TOUTES LES CONNEXIONS DOIVENT ÊTRE SOUMIS À UNE ÉPREUVE D'ÉTANCHÉITÉ APRÈS L'INSTALLATION OU L'ENTRETIEN. TOUTES LES FUITES DOIVENT ÊTRE CORRIGÉES IMMÉDIATEMENT.

**AVERTISSEMENT :**

Pression d'entrée maximale	10,5 po CE	14 po CE
Pression d'entrée maximale	10,5 po CE	14 po CE
Pression d'entrée maximale	10,5 po CE	14 po CE

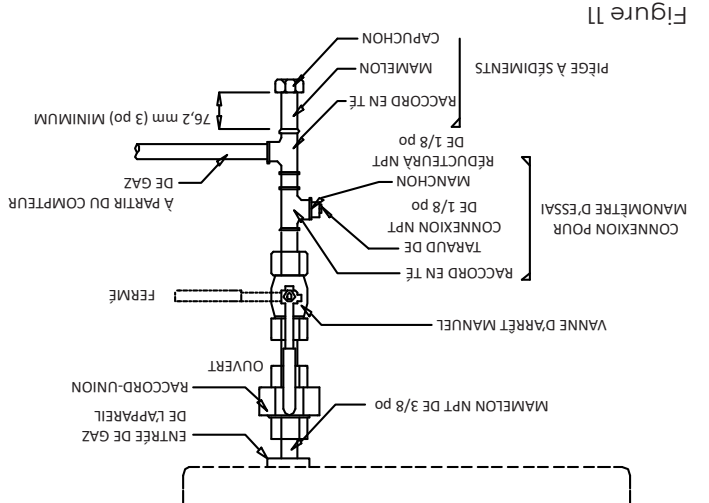


Figure 11

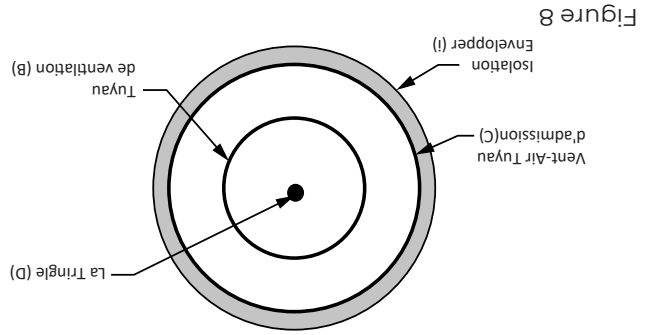


Figure 8

- La plaque de montage extérieure (F) et l'anneau en caoutchouc silicone (G) doivent être installés entre le capuchon de l'évent (A) et le mur extérieur. Remarque : Pour plus de sécurité, la plaque de montage extérieure (F) peut être fixée à l'extérieur du mur à l'aide du matériel approprié pour le montage sur la surface du bâtiment. La plaque de montage extérieure (F) doit être positionnée au ras du mur et scellée avec un mastic non durcissant (mastic de silicone). Lorsque vous positionnez la plaque de montage extérieure (F) pour l'installation, assurez-vous que le trou de décalage est situé à droite de la plaque de montage.

- Avant de fixer le chapeau d'évacuation (A) au mur extérieur, appliquez un cordon de mastic non durcissant (silicone) autour de son bord extérieur, de manière à assurer l'étanchéité entre lui et la plaque de montage extérieure (F).
- Faites glisser le capuchon d'évent (A) en position et fixez-le à l'aide de l'écrou fourni (E). Serrez l'écrou (E) jusqu'à ce que le capuchon de ventilation (A) s'appuie sur la plaque de montage extérieure (F) (voir figure 9).
- Fixer l'écran pare-pluie (J) à la plaque de montage extérieure (F).

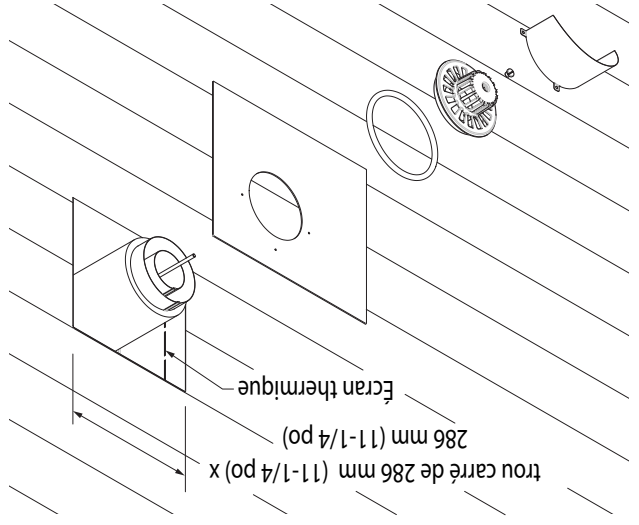
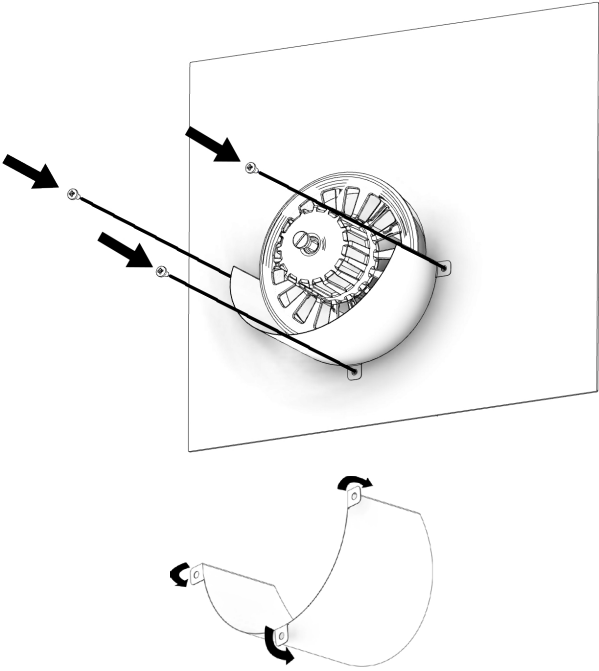


Figure 9

- Plier les trois languettes situées sur le pare-pluie (J) pour les faire sortir. Pliez à la main l'écran pare-pluie (J) en demi-cercle et alignez-le sur les trous

**CONNEXION DES TUYAUX DE GAZ**

Figure 10



de montage situés dans la plaque de montage extérieure (F).

- Nous recommandons de n'utiliser que des tuyaux en fer noir ou en acier. VÉRIFIEZ LES CODES LOCAUX.
- La conduite d'alimentation en gaz doit être dimensionnée et installée afin de fournir un débit suffisant, tout en respectant la demande maximale du radiateur et en ne causant aucune perte de pression excessive.
- Le scelllement à utiliser sur les joints filetés ou le tuyau de gaz doit être d'un type résistant à l'action du gaz de pétrole liquéfié. (Le scelllement doit être appliqué légèrement aux filets mâles pour assurer qu'aucun excédant de scelllement ne s'infiltra dans les tuyaux.) Le système d'alimentation doit inclure une vanne de fermeture manuelle et de raccordement afin que le radiateur puisse être déconnecté à des fins d'entretien.
- Ajoutez un collecteur d'écoulement (trappe), ainsi qu'un tarud de pression et de température normale de 1/8 po au raccord. Le tarud devrait être accessible pour tester les connexions des jaugees en amont de la connexion entre l'approvisionnement en gaz et le radiateur.

**IMPORTANT :**

**MAINTENEZ L'ENTRÉE DE GAZ DE L'APPAREIL AVEC UNE CLÉ À MOLETTE LORS DE LA CONNEXION À UN TUYAU DE GAZ ET/OU LORS DES RACCORDS.**

**IMPORTANT :**

**LE SYSTÈME DE VENTILATION DE L'APPAREIL DOIT ÊTRE INSPECTÉ AU MOINS UNE FOIS PAR ANNÉE ET NETTOYÉ IMMÉDIATEMENT SI NÉCESSAIRE.**

**AVERTISSEMENT :**

**TOUS LES JOINTS DOIVENT ÊTRE ÉTANCHES À L'AIR.**

Le système de ventilation est composé de:

A	Bouchon de ventilation
B	Tuyau d'évent
C	Tuyau de ventilation et d'entrée d'air
D	Sonde
E	Écrou
F	Plaque de montage d'extérieur
G	Anneau en silicone-caoutchouc
H	Ruban
I	Isolation
J	Bouclier de protection contre la pluie
K	Écran thermique

Tableau 3 Longueurs de tuyaux et de tiges.		
Tuyau d'évent (B)	Tuyau de ventilation et d'entrée d'air (C)	Épaisseur du mur + 3-3/8 po (86 mm)
		Épaisseur du mur + 2-1/2 po (64 mm)
		Épaisseur du mur + 5-7/8 po (149,5 mm)

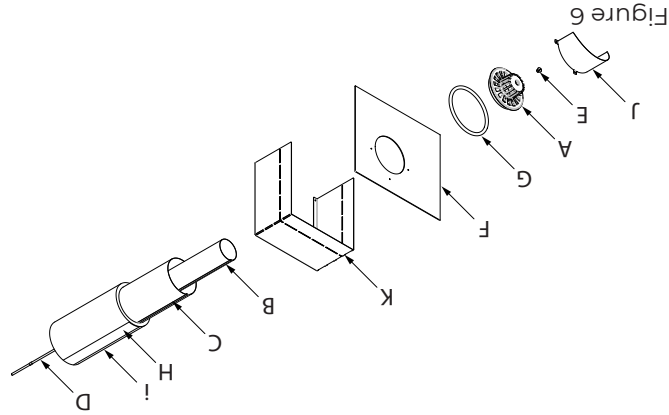
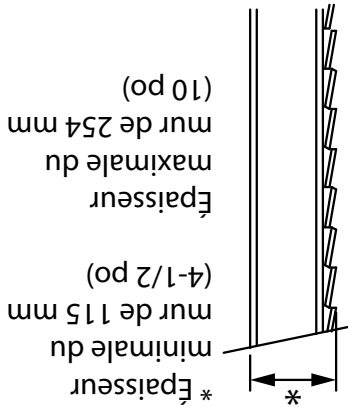


Figure 7



Mesurez l'épaisseur du mur comme le montre la figure 7. Si l'un des éléments suivants est long, il doit être coupé en fonction de l'épaisseur du mur (voir tableau 3) :

- (B) tuyau d'évent
- (C) tuyau de ventilation et d'entrée d'air
- (I) isolation
- (D) tige

2. Le trou à l'extérieur du mur doit être un carré de 11-1/4 po (286 mm) X 11-1/4 po (286 mm). Fixez l'écran thermique (K) au support mural à l'aide du matériel approprié.

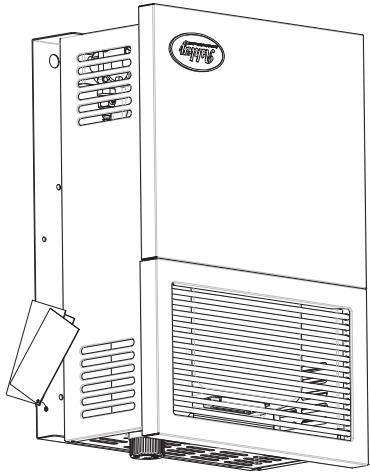
4. À partir de l'extérieur du mur, percez la tige (D) légèrement jusqu'à ce qu'elle soit dans la sortie de conduit de fumée de l'appareil.

5. Enveloppez le tuyau d'admission d'air (C) avec l'isolant fourni (I) (côté feuille vers l'extérieur) et placez la bande de ruban adhésif fournie (H) le long du joint pour le fixer.

6. Faites glisser le plus petit tuyau d'évacuation (B) de l'extérieur de la maison) à travers le trou dans le mur et fixez-le à l'appareil de chauffage monté à l'intérieur de la maison. Assurez-vous que le tuyau d'évacuation est bien serré et engagé dans le poêle. Glissez ensuite le grand tuyau d'admission d'air, avec l'isolation enveloppée et collée à l'extérieur du tuyau, à travers le même trou et par-dessus le petit tuyau d'évent (B) et fixez-le au radiateur.

REMARQUE : Il est essentiel que l'enveloppe isolante (I) soit enveloppée et fixée avec le ruban adhésif à l'extérieur du plus grand tuyau d'admission d'air (C). L'isolation ne doit PAS être enroulée entre le tuyau d'évacuation (B) et le tuyau d'admission d'air (C) (voir figure 8).

**ATTENTION :**  
L'ENSEMBLE DE TROIS PLAQUES D'IDENTIFICATION (PLAQUE SIGNALÉTIQUE, MODE D'EMPLOI ET PLAQUE DE SÉCURITÉ) NE DOIT EN AUCUN CAS ÊTRE RETIRÉ DE L'APPAREIL.



**INSTALLATION DU SYSTÈME DE VENTILATION**

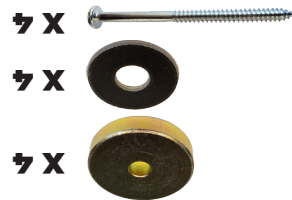
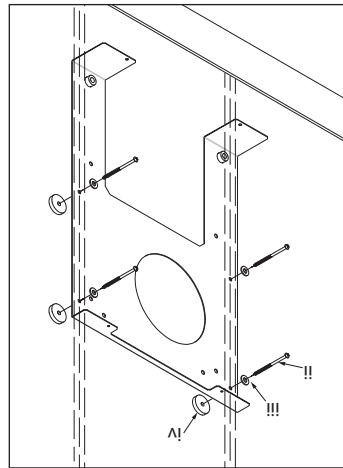
Ces modèles d'appareil de chauffage mural sont conçus pour l'évacuation murale directe. Seules les composantes d'évacuation spécifiquement approuvées pour ces foyers peuvent être utilisées. La circulation des gaz de combustion et de l'air de ventilation ne doit pas être entravée. L'espace de dégagement minimal entre les tuyaux et les matériaux combustibles est de un (1) po (25,4 mm). La sortie d'évacuation doit se trouver à 18 po (457,2 mm) d'un mur adjacent. L'espace de dégagement minimal entre le couvercle de ventilation les matériaux combustibles est de 1-3/4 po (44,5 mm)

**IMPORTANT :**

LE SYSTÈME DE VENTILATION ET D'ENTRÉE D'AIR DOIT ÊTRE CORRECTEMENT INSTALLÉ POUR ASSURER UNE UTILISATION CORRECTE ET ADEQUATE. ADEQUATE. DE PLUS, LE SYSTÈME DE VENTILATION ET D'ENTRÉE D'AIR DOIT ÊTRE CORRECTEMENT RÉINSTALLÉ ET RESCELLÉ POUR ASSURER UNE UTILISATION CORRECTE ET ADEQUATE.

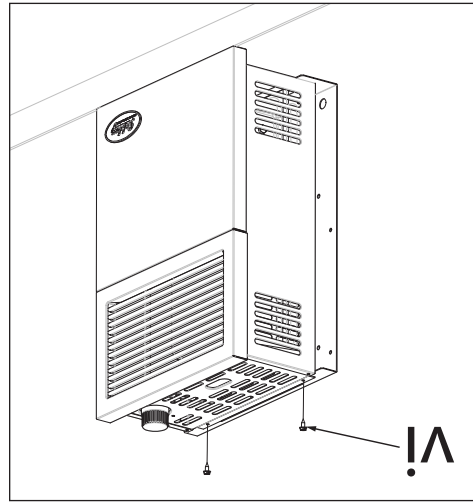
**AVERTISSEMENT :**

SI LES PIÈCES NE SONT PAS POSITIONNÉES COMME L'AFFICHENT LES DIAGRAMMES, OU SI DES PIÈCES AUTRES QUE CELLES APPRUVÉES POUR CET APPAREIL SONT UTILISÉES, DES BLESSURES CORPORELLES OU DES DOMMAGES MATÉRIELS PEUVENT SURVENIR.

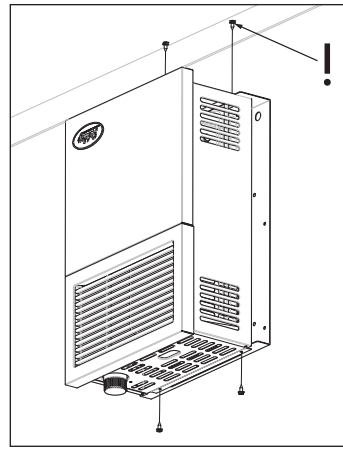


**INSTALLATION DU RADIATEUR SUR LE SUPPORT D'ACCROCHAGE**

1. Placez le radiateur sur le support de suspension et fixez-le à l'aide de deux petites vis (VI).



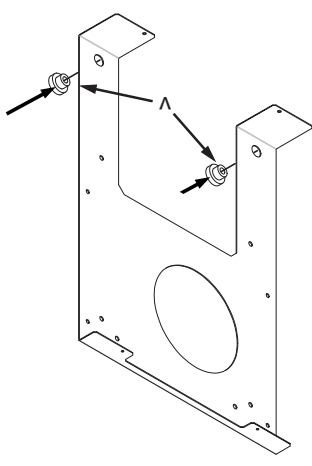
2. Utilisez deux vis moyennes (I) pour fixer le support intérieur à l'appareil.



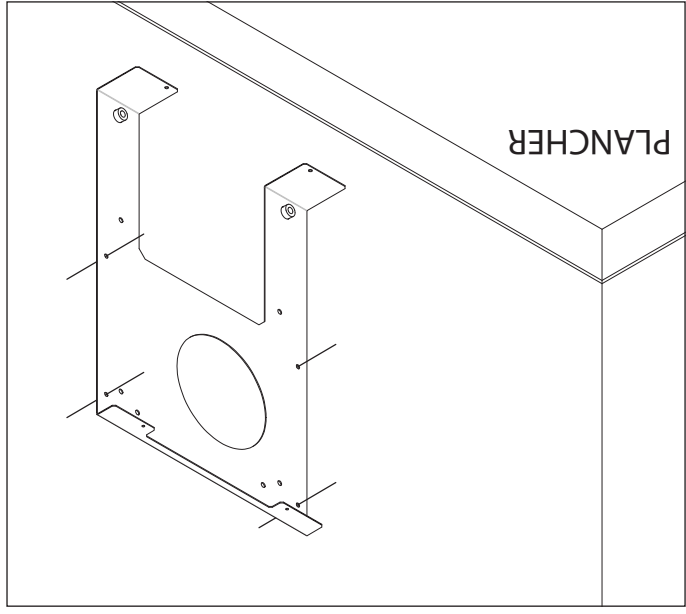
2. En tenant compte des espaces de dégagement minimaux indiqués au tableau 2, localisez le poteau mural le plus près (qui servira à tenir l'appareil) et marquez le centre du trou carré à une distance « A », (si le poteau mural est positionné à droite), ou « B » (si le poteau mural est positionné à gauche) (voir le tableau 2 et les figures 7 et 8). Remarque : Utilisez l'écran thermique pour aider à maintenir le support en place lors du marquage des emplacements de trous carrés. Remarque : Au moins un côté du support de suspension doit être attaché à un poteau mural

TABLEAU 2			
A	B	C	D
9-1/8 po (233 mm)	6-13/16 po (174 mm)	20-3/16 po (514 mm)	Trou carré de 11-1/4 x 11-1/4 po (286 x 286 mm)

5. Insérez les deux œillets en caoutchouc fournis (V) dans le support inférieur comme indiqué.



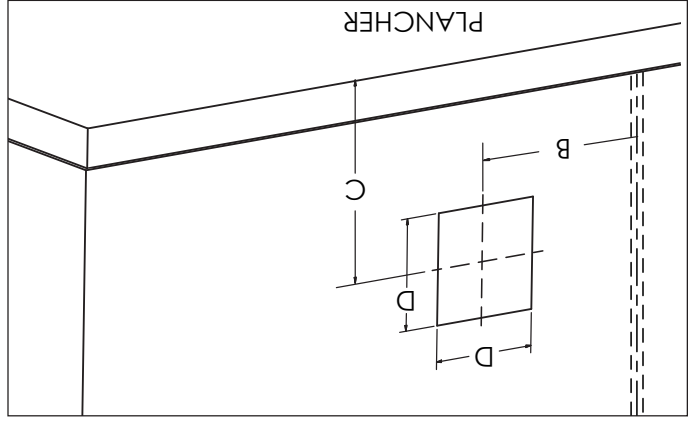
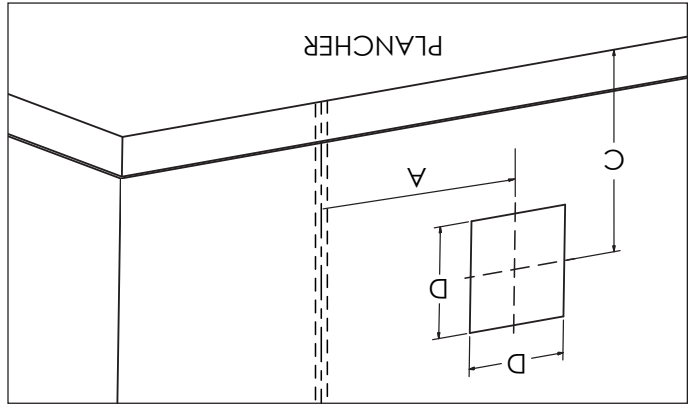
6. Placez le support mural avec l'écran thermique dans le trou carré. Vérifiez que le support est à niveau. Si ce n'est pas le cas, vous devrez peut-être découper le trou pour vous assurer que le support est de niveau lorsqu'il est installé. Mettez à niveau le support d'accrochage, puis marquez les quatre (4) trous comme indiqué.



7. Retirez le support de suspension et percez les quatre trous à l'aide d'un foret de perçage de 3/32 po.  
8. Placez le support de suspension et fixez-le avec quatre vis (iii) et quatre rondelles (iiii). IMPORTANT : Les quatre rondelles décartement de 1/4 po (iv) fournies doivent être placées entre le support et le mur.

3. Dessinez la position du trou carré pour le tuyau d'admission d'air de ventilation (voir les dimensions pour le trou carré « D » et la hauteur au centre « C » dans le tableau 2. La hauteur « C » est la hauteur minimale recommandée.

4. Découpez le trou carré à travers le mur selon les mesures et les positions indiquées dans les figures 4 et 5.





X 2

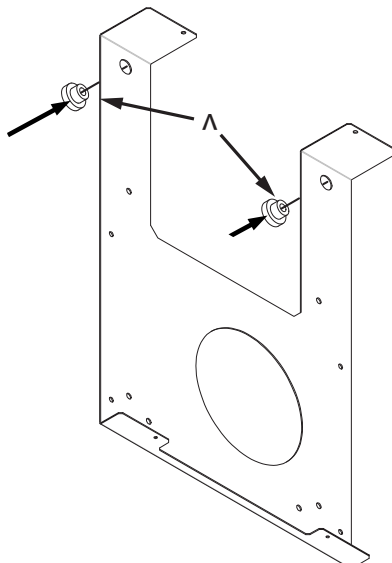
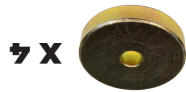


Figure 3a



X 4

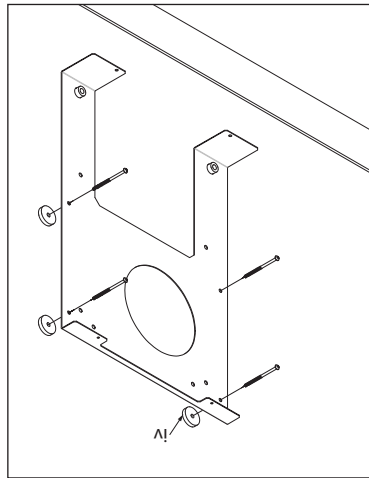
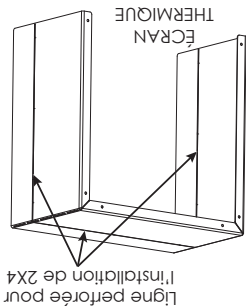
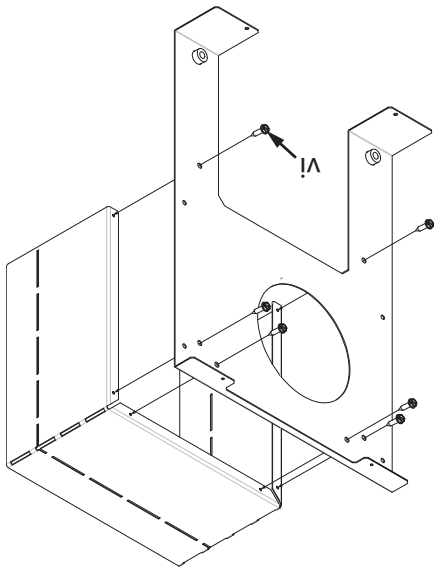


Figure 3b

4. Retirez le support de suspension et percez les quatre trous à l'aide d'une mèche à maçonnerie. REMARQUE : La taille de la mèche à maçonnerie doit correspondre à la taille de la vis à maçonnerie qui sera utilisée (vis à maçonnerie et mèche non incluses). IMPORTANT : Les quatre rondelles d'écartement de 1/4 po (iv) fournies doivent être placées entre le support et le mur.



X 6



**INSTALLATION DU SUPPORT DE SUSPENSION SUR UN MUR COMBUSTIBLE (C.-À-D. CLOISON SÈCHE/MUR EN BOIS)**

1. Retirez le bouclier thermique requis de la boîte et pliez-le comme indiqué sur l'illustration (pliez-le le long des lignes perforées et cassez-le si vous l'installez dans un mur de 2 X 4). Alignez les trous sur le bouclier thermique avec les trous sur le support de montage et fixez à l'aide des six petites vis fournies (vi).



**INSTALLATION DE L'APPAREIL**

Séparez les supports d'accrochage de l'appareil en dévissant les deux vis situées au-dessus et les deux écrous situés en dessous.

**INSTALLATION DES SUPPORTS D'ACCROCHAGE SUR UN MUR NON COMBUSTIBLE (P. EX., EN BLOCS DE MAÇONNERIE OU EN BÉTON)**

1. Marquez au crayon les positions des trous qui serviront au tuyau de ventilation et d'entrée d'air, en tenant compte des espaces de dégagement minimaux indiqués dans la figure 1. Voir les dimensions du trou carré « D » et la hauteur au centre « C » dans le tableau 1, ou dans la figure 5 pour les autres modèles. La hauteur « C » est la hauteur minimale recommandée.

TABLEAU 1	
C	D
20-7/32 po (514 mm)	Trou carré de 11-1/4 x 11-1/4 po (286 x 286 mm)

2. Découpez le trou carré à travers le mur selon les mesures et les positions indiquées dans la figure 2.

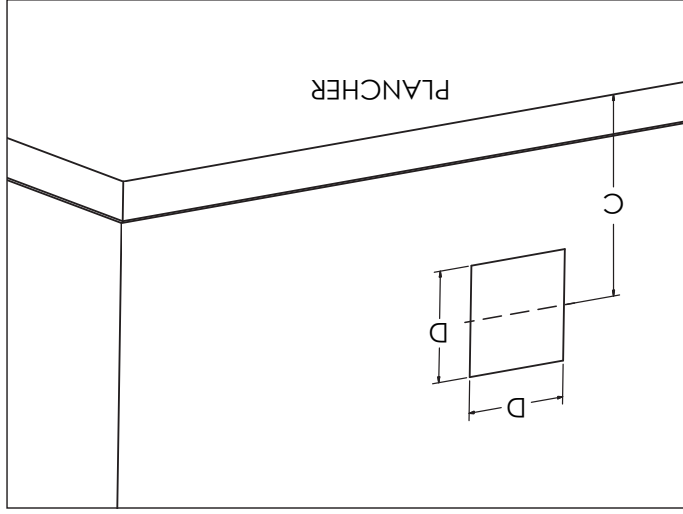


Figure 2

3. Insérez les deux œillets en caoutchouc fournis (V) dans le support inférieur, comme indiqué sur la figure 3a. Placez le support de suspension par-dessus le trou carré. Vérifiez que le support est à niveau. Mettez à niveau le support d'accrochage, puis marquez les quatre trous comme le montre la figure 3b.

**AVERTISSEMENT :**

SI LES PIÈCES NE SONT PAS POSITIONNÉES COMME L'AFFICHENT LES DIAGRAMMES, OU SI DES PIÈCES AUTRES QUE CELLES APPROUVÉES POUR CET APPAREIL SONT UTILISÉES, DES BLESSURES CORPORELLES OU DES DOMMAGES MATÉRIELS PEUVENT SURVENIR.

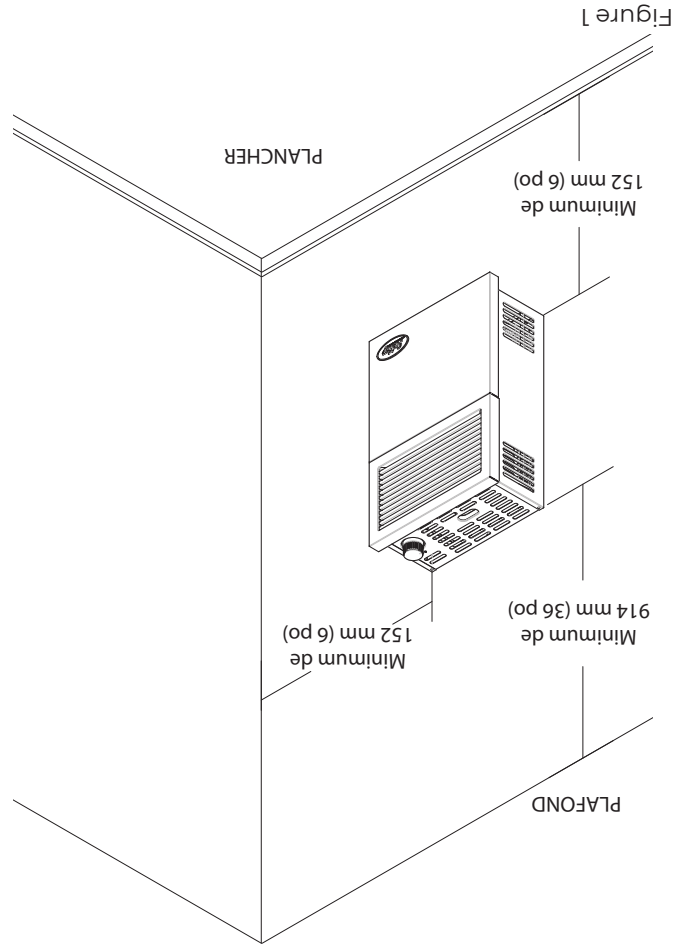
**IMPORTANT :**

L'INSTALLATION ET LA RÉPARATION DEVAIENT ÊTRE EFFECTUÉES PAR UN(E) TECHNICIEN(NE) QUALIFIÉ(E). L'APPAREIL DOIT ÊTRE INSPECTÉ PAR UN PERSONNEL QUALIFIÉ AVANT D'ÊTRE UTILISÉ, PUIS AU MOINS UNE FOIS PAR ANNÉE PAR CELUI-CI. UN ENTRETIEN PLUS FRÉQUENT PEUT ÊTRE NÉCESSAIRE EN RAISON DES PELUCHES DE TAPIS, DE LITÈRIE, ETC. IL EST PRIMORDIAL DE MAINTENIR LA PROPRETÉ DES COMPARTIMENTS DE CONTRÔLE, DES BRÛLEURS ET DES CANAUX DE CIRCULATION D'AIR DE L'APPAREIL.

**CONTENU DU PAQUET MATÉRIEL**

CLÉ	DESCRIPTION	ARTICLE	QTE
!	Vis moyenne		3
!!	Grande vis		4
!!!	Rondelle		4
iv	Rondelle d'espacement		4
v	Œillet en caoutchouc		2
vi	Petite vis		11





Espaces de dégagement minimums aux matériaux combustibles	
Arrière	0,635 cm (0,25) pouces (avec les entretoises fournies)
Côtés	15,2 cm (6 po)
Haut	91,4 cm (36 po)
Plancher	12,7 cm (5 po)

- Les lieux où sera installé l'appareil doivent fournir :
- Une combustion et une circulation d'air adéquates;
  - Des espaces de dégagement suffisants pour permettre l'entretien de l'appareil.

- Clé à tubes
- Raccord en té (droit)
- Piège à sédiments
- Raccord-union
- Vanne d'arrêt manuel
- Scellant (résistant au gaz propane)
- tuyauterie (vérifiez les codes locaux)

Avant d'installer le radiateur, assurez d'avoir les pièces et les outils suivants.

## PIÈCES ET OUTILS POUR L'INSTALLATION

Une copie de toutes les instructions d'installation de l'appareil au gaz à évacuation horizontale murale homologué « Produit approuvé », de toutes les instructions pour le système d'évacuation, ainsi qu'une

liste de toutes les pièces requises pour les instructions de l'évacuation et/ou toutes les instructions sur la conception du système d'évacuation, doivent être conservées avec l'appareil une fois l'installation terminée.

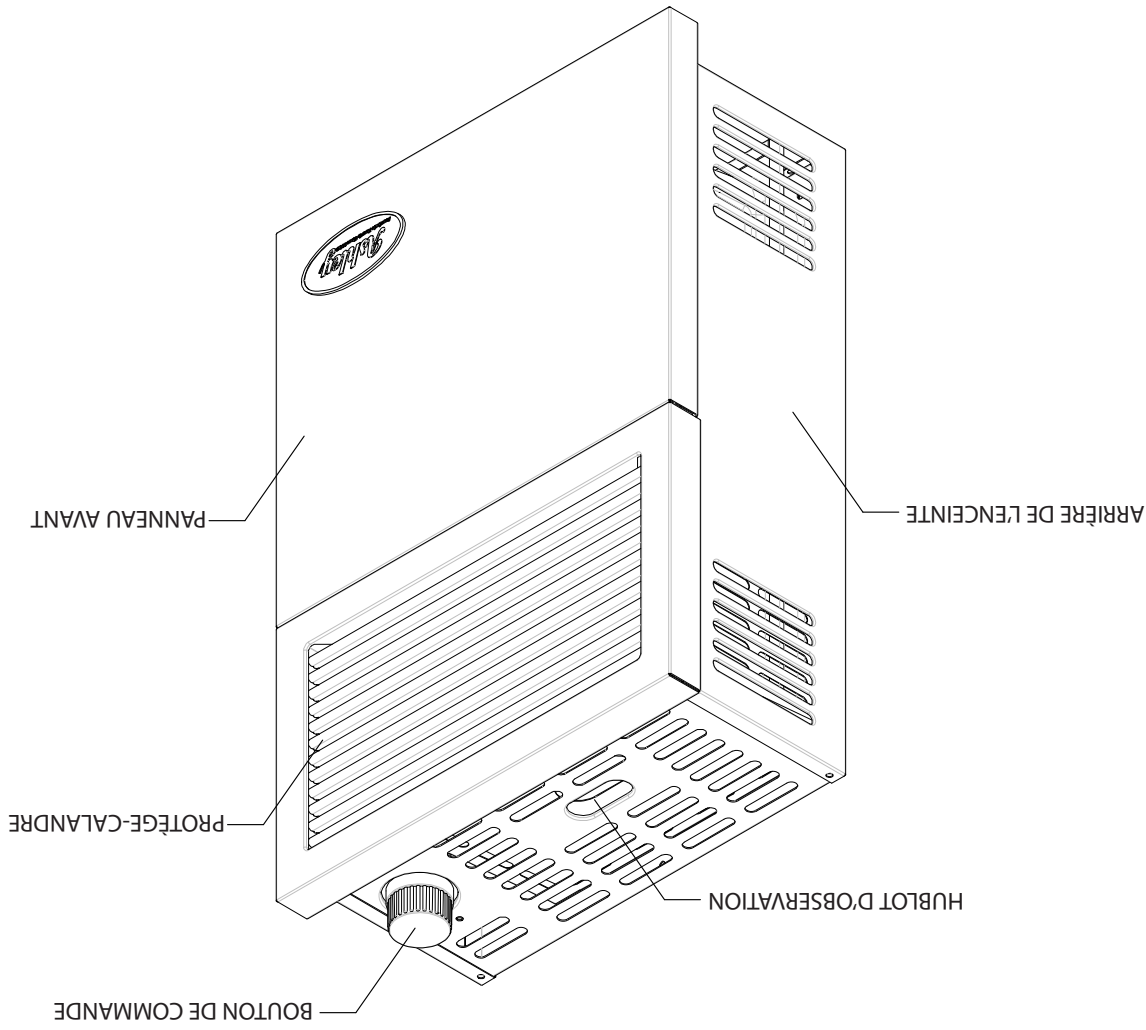
## IDENTIFICATION DU PRODUIT

**CET APPAREIL À GAZ NE DOIT PAS ÊTRE RACCORDÉ À UN CONDUIT DE CHEMINÉE DESSERVANT UN AUTRE APPAREIL À COMBUSTIBLE SOLIDE.**

**IMPORTANT POUR VOTRE SÉCURITÉ**

- LES INSTALLATIONS, RÉGLAGES, MODIFICATIONS, RÉPARATIONS OU ENTRETIENS INCORRECTS PEUVENT CAUSER DES DOMMAGES MATÉRIELS, DES BLESSURES CORPORELLES OU DES PERTES DE VIE. SE RÉFÉRER À CE MANUEL.
- L'INSTALLATION ET L'ENTRETIEN DOIVENT ÊTRE EFFECTUÉS PAR UN INSTALLATEUR QUALIFIÉ, UN SERVICE D'ENTRETIEN OU LE FOURNISSEUR DE GAZ.

**N'UTILISEZ PAS CET APPAREIL SI L'UN DES COMPOSANTS A ÉTÉ IMMERGÉ DANS L'EAU. COMMUNIQUEZ IMMÉDIATEMENT AVEC UN TECHNICIEN D'ENTRETIEN QUALIFIÉ AFIN QU'IL INSPECTE L'APPAREIL ET QU'IL REMPLACE TOUTE SYSTÈME DE CONTRÔLE DE GAZ AVANT ÊTRE IMMERGÉE DANS L'EAU.**



## EXIGENCES POUR LE COMMONWEALTH DU

### MASSACHUSETTS

Les exigences ci-après font référence aux différents codes du Massachusetts et aux codes nationaux ne figurant pas dans ce manuel. Pour tous les appareils au gaz à évacuation horizontale murale installés dans toute construction, tout logement ou bâtiment utilisé en tout ou en partie à des fins résidentielles, y compris ceux qui appartiennent au Commonwealth ou qui sont exploités par ce dernier, et où la sortie du conduit d'évacuation dans le mur latéral est à moins de sept (7) pieds au-dessus du sol fini dans la zone de l'évacuation, il convient de respecter les exigences suivantes:

### INSTALLATION DES DÉTECTEURS DE MONOXYDE DE CARBONE

Au moment d'installer l'appareil au gaz à évacuation horizontale murale, le plombier (ou le monteur d'installations au gaz) doit vérifier qu'un détecteur de monoxyde de carbone câblé avec alarme et batterie de secours est installé au niveau du sol, où l'appareil au gaz doit être installé. De plus, le plombier (ou le monteur d'installations au gaz) doit vérifier qu'un détecteur de monoxyde de carbone câblé ou à batterie, avec alarme, est installé à tous les autres étages du bâtiment, de l'habitation ou de la structure desservi par l'appareil au gaz à évacuation horizontale murale. Il va de la responsabilité du propriétaire de s'assurer les services de professionnels agréés qualifiés pour l'installation des détecteurs de monoxyde de carbone. En cas d'installation de l'appareil au gaz à évacuation horizontale murale dans un vide sanitaire ou un grenier, le plombier le détecteur de monoxyde de carbone câblé avec alarme et batterie de secours peut-être installé au niveau du plancher le plus proche. Si les exigences de cette sous-section ne peuvent pas être satisfaites au moment d'achever l'installation, le propriétaire disposera d'une période de trente (30) jours pour se conformer aux exigences ci-dessus, pourvu toutefois qu'au cours de cette période de trente (30) jours, un détecteur de monoxyde de carbone à batterie avec alarme devra être installé.

### DÉTECTEURS DE MONOXYDE DE CARBONE AGRÉÉS

Tous les détecteurs de monoxyde de carbone, tel qu'exigé conformément aux clauses ci-dessus, devront être conformes à la norme NFPA 720 et être homologués ANS/UL 2034 et certifiés par l'IAS.

### SIGNALÉTIQUE

Une plaque d'identification en métal ou en plastique doit être fixée en permanence à l'extérieur du bâtiment, à au moins huit (8) pieds au-dessus du sol, directement aligné avec le tuyau du conduit d'évacuation pour le gaz évacué horizontalement de l'appareil ou l'équipement

de chauffage. La plaque doit comporter l'inscription suivante en caractères d'au moins un demi-pouce (1/2 po) : « ÉVACUATION DE GAZ JUSTE EN DESSOUS. NE PAS OBSTRUER ».

### INSPECTION

L'inspecteur du gaz local ou de l'État de l'appareil au gaz à évacuation horizontale murale ne doit pas approuver l'installation, sauf s'il observe lors de l'inspection que les détecteurs de monoxyde de carbone et la signalétique sont installés conformément aux dispositions de l'article 248 CMR 5.08 (2) (a) 1 à 4.

### DISPENSES

L'équipement suivant est dispensé de l'article 248 CMR 5.08 (2) (a) 1 à 4 : L'équipement ne nécessitant pas d'évacuation » intitulé « Équipement ne nécessitant pas d'évacuation » dans la dernière édition de la norme NFPA 54 telle qu'approuvée par le conseil d'administration ; et l'équipement au gaz à évacuation horizontale murale homologué « Produit approuvé » installé dans une pièce ou une construction distincte du logement, de la construction ou du bâtiment utilisé en tout ou partie à des fins résidentielles.

### EXIGENCE DU FABRICANT

Système d'évacuation de gaz fourni : lorsque le fabricant de l'appareil au gaz à ventilation horizontale murale homologué « Produit approuvé » fournit un plan du système de ventilation ou des composants du système avec l'équipement, les instructions fournies par le fabricant pour l'installation de l'équipement et du système de ventilation devra comprendre :

Des instructions détaillées pour l'installation du système d'évacuation ou des composants du système d'évacuation ; et une liste complète des pièces pour le système d'évacuation ou le système d'évacuation.

### SYSTÈME D'ÉVACUATION D'ÉQUIPEMENT AU GAZ NON FOURNI

Lorsque le fabricant de l'appareil au gaz à évacuation horizontale murale homologué « Produit approuvé » ne fournit pas les pièces permettant l'évacuation des gaz de combustion, mais qu'il détermine des systèmes d'évacuation spéciale », ledit fabricant doit respecter les exigences suivantes :

Les instructions sur les « systèmes d'évacuation spéciale » indiqués doivent être incluses avec les instructions d'installation de l'appareil ou l'équipement, et ;

Les « systèmes d'évacuation spéciale » doivent être homologués « Produit approuvé » par le conseil d'administration et leurs instructions doivent comprendre une liste des pièces et des instructions d'installation détaillées.

Votre poêle à gaz ne devrait être installé que par un(e) installateur(trice) qualifié(e). Vous trouverez un(e) installateur(trice) qualifié(e) NFI à l'adresse [www.nfircertified.org/public/find-an-nfi-pro/](http://www.nfircertified.org/public/find-an-nfi-pro/)

**LISTE DE CONTRÔLE DE L'INSTALLATEUR**

Cette liste de vérification doit être remplie intégralement par la personne qualifiée qui installe cet appareil. Conservez cette page pour consultation ultérieure.

Le non-respect de l'installation et de la mise en service conformément aux instructions du fabricant et la non-exécution de cette liste de vérification annuleront la garantie.

Veuillez imprimer

Nom du client/de la cliente :		Numéro de téléphone :	
Adresse :			
Modèle :			
Numéro de série :		Nom de l'entreprise d'installation :	
Nom du/de la) technicien(ne) d'installation :		Numéro de téléphone :	
Numéro de permis :			

**DESCRIPTION DU TRAVAIL**

Emplacement de l'appareil installé : \_\_\_\_\_

Système de ventilation : Nouveau système de ventilation  Oui  Non Si oui, marque \_\_\_\_\_

Si non, date d'inspection du système de ventilation existant : \_\_\_\_\_

**LISTE DE CONTRÔLE**

Confirmez les dégagements aux combustibles conformément aux directives d'installation de ce manuel

Confirmez que le système de ventilation est sécurisé et scellé

Confirmez que le poêle démarre et fonctionne correctement

Assurez-vous qu'un avertisseur de CO (monoxyde de carbone) est installé conformément aux codes de construction locaux et qu'il est fonctionnel

Expliquez le fonctionnement en toute sécurité, l'utilisation appropriée du carburant, le nettoyage et les exigences d'entretien de routine

Déclaration d'achèvement des travaux : En tant que personne qualifiée responsable des travaux décrits ci-dessus, je confirme que l'appareil, en tant que travail associé, a été installé conformément aux instructions du fabricant et en suivant les codes de construction et d'installation applicables.

Signé : \_\_\_\_\_ Nom en lettres moulées : \_\_\_\_\_ Date : \_\_\_\_\_

**Propriétaire du logement : CONSERVEZ CES INFORMATIONS POUR CONSULTATION ULTÉRIEURE**

customer@usstove.com

envoyez-nous un courriel à :

envoyez un SMS au 423 301-5624 ou;

1 800 750-2723 poste 5050 ou;

appeler :

Pour le service à la clientèle, veuillez

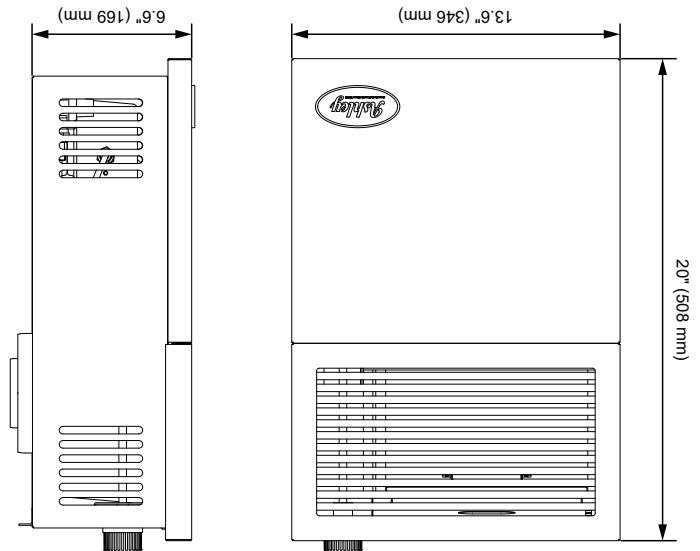
\* L'installation et l'entretien de l'appareil doivent être effectués par un installateur qualifié, un service d'entretien ou le fournisseur de gaz \*

**REMARQUE : Pression minimale d'entrée de gaz pour l'ajustement de l'entrée. La côte d'efficacité de cet appareil est une côte d'efficacité thermique déterminée dans des conditions d'utilisation continue et indépendamment de tout système installé.					
N° du modèle :	Puissance d'entrée * BTU/heure. (kW)	max. Pression d'entrée du gaz pouces CE (mm. CE)	Min. Pression d'entrée du gaz pouces CE (mm. CE)	Régulages de pression du collecteur pouces CE (mm. CE)	Type de vanne
DVAG8N	8 000 BTU/h - (2,34 kW/h)	10,5 pouces de colonne d'eau (CE) (267 mm)	5,0 pouces de colonne d'eau (CE) (127 mm)	5,0 pouces de colonne d'eau (CE) (127 mm)	Chant K-890SL-A4D
DVAG8L	8 000 BTU/h - (2,34 kW/h)	14 pouces de colonne d'eau (CE) (356 mm)	10 pouces de colonne d'eau (CE) (254 mm)	10 pouces de colonne d'eau (CE) (254 mm)	Chant K-890SL-A4D

## CARACTÉRISTIQUES DU PRODUIT

REMARQUE : Le radiateur ne doit être installé que par du personnel d'entretien qualifié. Suivez tous les codes locaux. VÉRIFIEZ LE TYPE DE GAZ! N'utilisez que le type de gaz indiqué sur la plaque signalétique.

Hauteur	508 mm (20 po)
Largeur	346 mm (13,6 po)
Profondeur	169 mm (6,6 po)
Type de brûleur	Atmosphérique
Nombre de brûleurs	1
Allumage	Allumeur piézo-électrique
Espace de chauffage standard en pieds carrés / (m <sup>2</sup> )	280 pieds carrés (26 m <sup>2</sup> )



# Manuel d'instruction et d'utilisation destiné au propriétaire



Numéro de modèle :



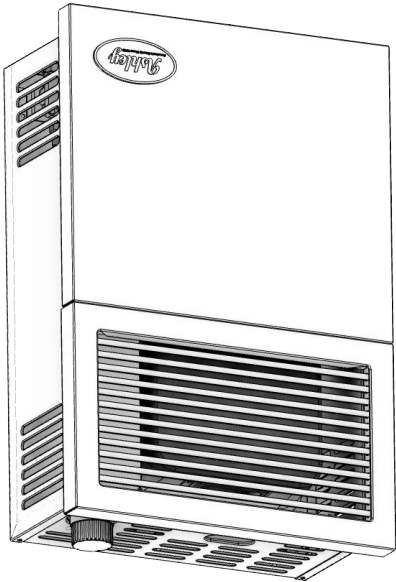
Numéro de rapport : F23-147

Certifié selon ANSI STD Z21.86-2016-R-2021,  
Certifié selon CSA STD 2.32-2016-R-2021 et

Certifié selon CSA 2.17-2017

\* Toutes les images contenues dans le présent manuel ne sont fournies qu'à titre d'illustration. Le produit en question peut différer de celui illustré.

854013-1504M



Gardez les instructions dans un endroit sûr pour consultation ultérieure.

**AVERTISSEMENT :** Si les informations dans ces instructions ne sont pas respectées, un feu ou une explosion peut survenir, entraînant des dommages à la propriété, des blessures personnelles ou la mort.

- Ne stockez pas et n'utilisez pas d'essence ou d'autres vapeurs ou liquides inflammables à proximité de cet appareil ou de tout autre appareil.
- QUE FAIRE SI VOUS DÉCELEZ UNE ODEUR DE GAZ :
- N'allumez aucun appareil.
- N'appuyez sur aucun interrupteur électrique et n'utilisez aucun téléphone dans le bâtiment.
- Rendez-vous chez votre voisin et appelez immédiatement votre fournisseur de gaz. Suivez les instructions du fournisseur de gaz.
- Si vous n'arrivez pas à joindre votre fournisseur de gaz, appelez le service d'incendie.

- L'installation et l'entretien de l'appareil doivent être effectués par un installateur qualifié, un service d'entretien ou le fournisseur de gaz.

\* L'installation et l'entretien de l'appareil doivent être effectués par un installateur qualifié, un service d'entretien ou le fournisseur de gaz \*

## AVERTISSEMENT DE LA PROPOSITION 65 DE LA CALIFORNIE

Ce produit peut vous exposer à des produits chimiques, notamment le monoxyde de carbone, qui est connu dans l'état de Californie pour provoquer des cancers, des malformations congénitales et/ou d'autres problèmes de reproduction. Pour obtenir plus de renseignements, veuillez consulter le site [www.P65warnings.ca.gov](http://www.P65warnings.ca.gov)

Veuillez lire ce manuel AVANT d'installer et d'utiliser cet appareil.

**INSTALLATEUR : laissez ce manuel avec l'appareil. CONSOMMATEUR : conservez ce manuel pour consultation ultérieure.**

CE MANUEL EST SUSCEPTIBLE D'ÊTRE MODIFIÉ SANS PRÉAVIS.