

# Owner's Instruction and Operation Manual

# Ashley

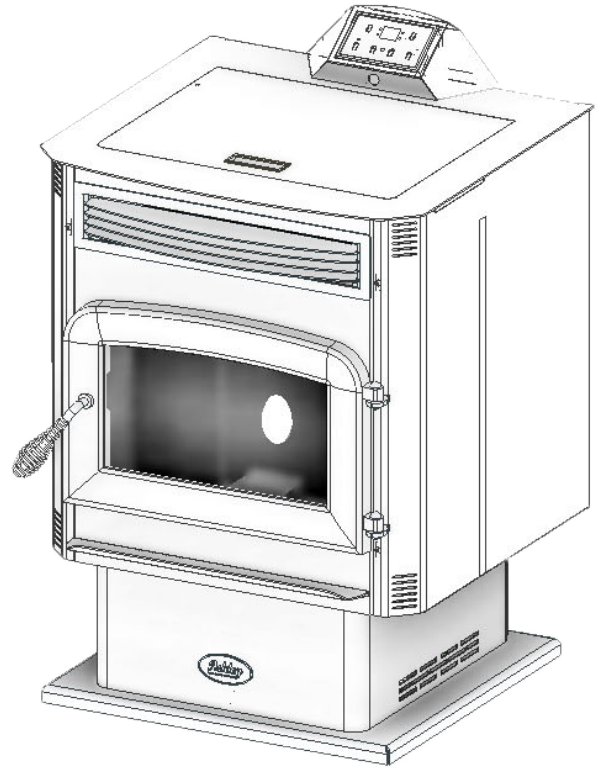
America's Hearth Since 1905

Model Number: **AP5617,**  
**AP5617-P, AP5617-L**



Report #: F20-571

Certified to ASTM E1509-12 (2017)  
and Certified to ULC-S627-00-REV1  
Mobile Home Approved



\* All Pictures In This Manual Are For Illustrative Purposes Only. Actual Product May Vary.

853927-0405L

Save These Instructions In A Safe Place For Future Reference.



**SAFETY NOTICE:** If this heater is not properly installed, a house fire may result. For your safety, follow the installation instructions. Never use make-shift compromises during the installation of this heater. Contact local building or fire officials about permits, restrictions and installation requirements in your area. **NEVER OPERATE THIS PRODUCT WHILE UNATTENDED.**



**CAUTION!** Please read this entire manual before you install or use your new room heater. Failure to follow instructions may result in property damage, bodily injury, or even death. Improper Installation Will Void Your Warranty!

## U.S. Environmental Protection Agency

Certified to comply with 2020 particulate emissions standards.

## CALIFORNIA PROPOSITION 65 WARNING:

This product can expose you to chemicals including carbon monoxide, which is known to the State of California to cause cancer, birth defects, and/or other reproductive harm. For more information, go to [www.P65warnings.ca.gov](http://www.P65warnings.ca.gov)

THIS MANUAL IS SUBJECT TO CHANGE WITHOUT NOTICE.

Your pellet stove has been approved for installation in the USA and Canada. It may also be installed in a manufactured or mobile home. Your stove is Certified to ASTM E1509-12 (2017) and Certified. This manual describes the installation and operation of the Ashley, AP60 pellet stove. This heater meets the 2020 U.S. Environmental Protection Agency's crib wood emission limits for wood-heaters sold after May 15, 2020. Under specific EPA test conditions burning Douglas Fir dimensional lumber this heater has been shown to deliver heat at a rate of 8,476 to 20,700 Btu/hr. This heater achieved a particulate emissions rate of 1.5 g/hr when tested to method ASTM E 2779 and 66% efficiency.

Heating Specifications		
Fuel Burn Rate* (lowest setting)	1.5 lbs./hr.	* Pellet size may effect the actual rate of fuel feed and burn times. Fuel feed rates may vary by as much as 20%. Use PFI listed fuel for best results.
Burn Time (lowest setting)	32 hrs. (approximate)	
Hopper Capacity	60 lbs (27.2 kg)	
Electrical Specifications		
Electrical Rating	120V, 60 Hz, 3.0 Amps	
Watts (operational)	180W	
Watts (igniter running)	350W	
Dimensions		
Overall: Height x Width X Depth	32.8" (834 mm) X 21" (534 mm) X 23.77" (604 mm)	
Weight	145 lbs (65.8 kg)	

**WARNING:**

**IT IS AGAINST FEDERAL REGULATIONS TO OPERATE THIS WOOD HEATER IN A MANNER INCONSISTENT WITH THE OPERATING INSTRUCTIONS IN THE OWNER'S MANUAL.**



**Note:** Register your product online at [www.usstove.com](http://www.usstove.com) or download the free app today. This app is available only on the App Store for iPhone and iPad. Search US Stove. Save your receipt with your records for any claims.

**For Customer Service, please call:**  
**1-800-750-2723 Ext 5050 or;**  
**Text to 423-301-5624 or;**  
**Email us at:**  
**customerservice@usstove.com**

# INSTALLATION CHECKLIST



Your Wood Stove should be installed by a qualified installer only. An NFI qualified Installer can be found at [www.nficertified.org/public/find-an-nfi-pro/](http://www.nficertified.org/public/find-an-nfi-pro/)

## CUSTOMER SERVICE

1-800-750-2723 ext 5050  
Text to 423-301-5624  
Email to: Customerservice@usstove.com

## COMMISSIONING CHECKLIST

This Checklist is to be completed in full by the qualified person who installs this unit. Keep this page for future reference.

Failure to install and commission according to the manufacturer's instructions and complete this checklist will invalidate the warranty.

Please Print

Customer Name:										Telephone Number:									
Address:																			
Model:																			
Serial Number:																			
Installation Company Name:										Phone Number:									
Installation Technician's Name:										License Number:									

## DESCRIPTION OF WORK

Location of installed appliance: \_\_\_\_\_

Venting System: New Venting System  Yes  No If yes, Brand \_\_\_\_\_

If no, Date of inspection of existing venting system: \_\_\_\_\_

## COMMISSIONING

- Confirm Hearth Pad Installation as per Installation Instructions.....
- Confirm proper placement of internal parts .....
- Check soundness of door gasket and door seals .....
- Confirm clearances to combustibles as per installation instructions in this manual .....
- Check the operations of the air controls .....
- Confirm the venting system is secure and sealed.....
- Confirm the stove starts and operates properly.....
- Check to ensure a CO alarm is installed as per local building codes and is functional .....
- Explain the safe operation, proper fuel usage, cleaning, and routine maintenance requirements .....

Declaration of Completion: As the qualified person responsible for the work described above, I confirm that the appliance as associated work has been installed as per manufacturer's instructions and following any applicable building and installation codes.

Signed: \_\_\_\_\_ Print Name: \_\_\_\_\_ Date: \_\_\_\_\_

**Home Owner: RETAIN THIS INFORMATION FOR FUTURE REFERENCE**

**FOR CUSTOMER SERVICE CALL: 800-750-2723 EXT 5050**

### SAFETY NOTICE

- **IF THIS STOVE IS NOT PROPERLY INSTALLED, A HOUSE FIRE MAY RESULT. TO REDUCE THE RISK OF FIRE, FOLLOW THE INSTALLATION INSTRUCTIONS.**
- **CONTACT YOUR LOCAL BUILDING OFFICIALS TO OBTAIN A PERMIT AND INFORMATION ON ANY ADDITIONAL INSTALLATION RESTRICTIONS OR INSPECTION REQUIREMENTS IN YOUR AREA.**
- **DO NOT PLACE CLOTHING OR OTHER FLAMMABLE ITEMS ON OR NEAR THIS STOVE.**
- **NEVER USE GASOLINE, GASOLINE-TYPE LANTERN FUEL, KEROSENE, CHARCOAL LIGHTER FLUID, OR SIMILAR LIQUIDS TO START OR 'FRESHEN UP' A FIRE IN THIS STOVE. KEEP ALL SUCH LIQUIDS WELL AWAY FROM THE STOVE WHILE IT IS IN USE.**
- **THIS APPLIANCE IS A FREESTANDING HEATER. IT IS NOT INTENDED TO BE ATTACHED TO ANY TYPE OF DUCTING. IT IS NOT A FURNACE. DO NOT CONNECT THIS UNIT TO ANY AIR DISTRIBUTION DUCT OR SYSTEM. THIS APPLIANCE IS NOT INTENDED FOR COMMERCIAL USE.**
- **INSTALL VENT AT CLEARANCES SPECIFIED BY THE VENT MANUFACTURER.**
- **DO NOT INSTALL A FLUE DAMPER IN THE EXHAUST VENTING SYSTEM OF THIS UNIT.**
- **YOUR STOVE REQUIRES PERIODIC MAINTENANCE AND CLEANING (SEE "MAINTENANCE"). FAILURE TO MAINTAIN YOUR STOVE MAY LEAD TO IMPROPER AND/OR UNSAFE OPERATION.**
- **A POWER SURGE PROTECTOR IS REQUIRED. THIS UNIT MUST BE PLUGGED INTO A 110 - 120V, 60 HZ GROUNDED ELECTRICAL OUTLET. DO NOT USE AN ADAPTER PLUG OR SEVER THE GROUNDING PLUG. DO NOT ROUTE THE ELECTRICAL CORD UNDERNEATH, IN FRONT OF, OR OVER THE HEATER. DO NOT ROUTE THE CORD IN FOOT TRAFFIC AREAS OR PINCH THE CORD UNDER FURNITURE.**

### CAUTION:


**BURNING FUEL CREATES CARBON MONOXIDE AND CAN BE HAZARDOUS TO YOUR HEALTH IF NOT PROPERLY VENTED.**

### ATTENTION:

- **A WORKING SMOKE DETECTOR MUST BE INSTALLED IN THE SAME ROOM AS THIS PRODUCT.**
- **INSTALL A SMOKE DETECTOR ON EACH FLOOR OF YOUR HOME; INCASE OF ACCIDENTAL FIRE FROM ANY CAUSE IT CAN PROVIDE TIME FOR ESCAPE.**
- **THE SMOKE DETECTOR MUST BE INSTALLED AT LEAST 15 FEET (4,57 M) FROM THE APPLIANCE IN ORDER TO PREVENT UNDUE TRIGGERING OF THE DETECTOR WHEN RELOADING.**


### CAUTION:

- **USE OF OUTSIDE AIR IS NOT REQUIRED FOR THIS UNIT.**
- **DO NOT UNPLUG THE STOVE IF YOU SUSPECT A MALFUNCTION. TURN THE ON/OFF SWITCH TO "OFF" AND CONTACT YOUR DEALER.**
- **THE HEATER WILL NOT OPERATE DURING A POWER OUTAGE. IF A POWER OUTAGE DOES OCCUR, CHECK THE HEATER FOR SMOKE SPILLAGE AND OPEN A WINDOW IF ANY SMOKE SPILLS INTO THE ROOM.**
- **NEVER BLOCK FREE AIRFLOW THROUGH THE OPEN VENTS OF THE UNIT.**



**NATIONAL FIREPLACE INSTITUTE**  
**CERTIFIED**  
[www.nficertified.org](http://www.nficertified.org)

We recommend that our woodburning hearth products be installed and serviced by professionals who are certified in the U.S. by the National Fireplace Institute® (NFI) as NFI Woodburning Specialists or who are certified in Canada by Wood Energy Technical Training (WETT).



**Wood Energy Technical Training**  
[www.wettinc.ca](http://www.wettinc.ca)

US Stove highly recommends your stove be installed by a qualified NFI (US) or WETT (Canada) technician. To find the nearest qualified installer, go to:

<https://nficertified.org>,

<https://www.wettinc.ca/>

## INSTALLATION OPTIONS

**Freestanding Unit** - supported by pedestal/legs and placed on a non-combustible floor surface in compliance with clearance requirements for a freestanding stove installation.

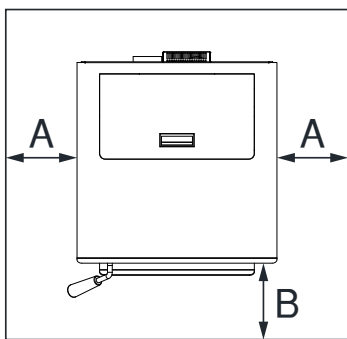
**Alcove Unit** - supported by pedestal/legs and placed on a non-combustible floor surface in compliance with clearance requirements for an alcove installation.

## IMPROPER INSTALLATION

The use of other components other than stated herein could cause bodily harm, heater damage, and void your warranty. The manufacturer will not be held responsible for damage caused by the malfunction of a stove due to improper venting or installation.

## FLOOR PROTECTION

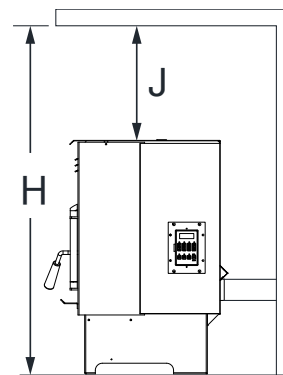
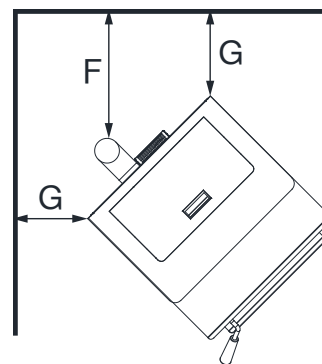
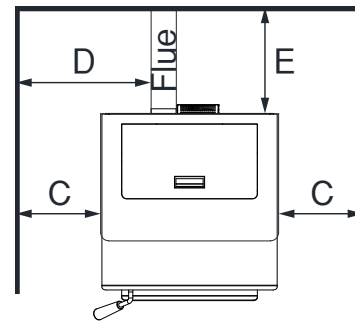
This heater must have a non-combustible floor protector (ember protection) installed beneath it if the floor is of combustible material. If a floor pad is used, it should be UL listed or equal. The floor pad or non-combustible surface should be large enough to cover at least the area under the product and 6" (153 mm) beyond the front and beyond each side of the fuel loading and ash removal openings. Floor protection must extend under and 2" (51 mm) to each side of the chimney tee for an interior vertical installation. Canadian Installations require a minimum of 18" [458 mm] beyond the front of the unit and 8" [204 mm] beyond each side of the unit.



A	Side to Stove	U.S.A	6"	153 mm
		CAN	8"	204 mm
B	Front to Stove	U.S.A	6"	153 mm
		CAN	18"	458 mm

## CLEARANCES

Your pellet stove has been tested and listed for installation in residential, mobile home in accordance with the clearances given below. For safety reasons, please adhere to the installation clearances and restrictions. Any reduction in clearance to combustibles may only be done by means approved by a regulatory authority.



C	Side Wall To Unit	10"	254 mm
D	Side Wall To Flue	3"	77 mm
E	Back wall To Unit	2"	51 mm
F	Back wall To Flue	3"	77 mm
G	Wall To Corner Of Unit	2"	51 mm
H	Ceiling Height To Floor	60"	1524 mm
J	Ceiling Height To Unit	27"	686 mm

## **OUTSIDE AIR SUPPLY (OPTIONAL, UNLESS INSTALLING IN A MOBILE HOME)**

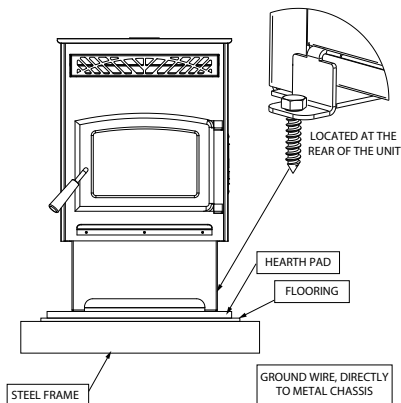
Depending on your location and home construction, outside air may be necessary for optimal performance. Your stove is approved to be installed with an outside air intake (69FAK) which is necessary for a mobile home. You can purchase the 69FAK through your heater dealer. Installation instructions are supplied with the air intake kit.

### **ATTENTION:**

**DO NOT VENT UNDER ANY PORCH, DECK, AWNING, OR IN ANY SEMI ENCLOSED OR ROOFED AREA. DOING SO MAY RESULT IN UNPREDICTABLE AIRFLOW AT THE VENT CAP UNDER CERTAIN CONDITIONS AND CAN AFFECT THE PERFORMANCE OF YOUR STOVE, AS WELL AS, OTHER UNFORESEEABLE ISSUES.**

## **SECURING APPLIANCE TO THE FLOOR**

Use the designated holes to secure the unit to the floor.



**WARNING! DO NOT INSTALL IN SLEEPING ROOM.**

**CAUTION! THE STRUCTURAL INTEGRITY OF THE MOBILE HOME FLOOR, WALL, AND CEILING/ROOF MUST BE MAINTAINED.**

**WHEN INSTALLED IN A MOBILE HOME, THE STOVE MUST BE GROUNDED DIRECTLY TO THE STEEL CHASSIS AND BOLTED TO THE FLOOR.**

In addition to the previously detailed installation requirements, mobile home installations must meet the following requirements:

- This stove must be securely fastened to the floor

of the mobile home using two 1/4" lag bolts that are long enough to go through both a hearth pad, if used, and the floor of the home.

- The heater must be electrically grounded to the steel chassis of the mobile home with 8 GA copper wire using a serrated or star washer to penetrate paint or protective coating to ensure grounding.
- Vent must be 3 or 4-inch "PL" Vent and must extend a minimum of 36" (914 mm) above the roof line of the mobile home and must be installed using a certified ceiling fire stop and rain cap.
- When moving your mobile home, all exterior venting must be removed while the mobile home is being relocated. After relocation, all venting must be reinstalled and securely fastened.
- Outside Air is mandatory for mobile home installation. See Outside Air Supply section and your dealer for purchasing.
- Check with your local building officials as other codes may apply.

## **VENTING REQUIREMENTS**

### **WARNING:**

- **INSTALL VENT AT CLEARANCES SPECIFIED BY THE VENT MANUFACTURER.**
- **DO NOT CONNECT THE PELLET VENT TO A VENT SERVING ANY OTHER APPLIANCE OR STOVE.**
- **DO NOT INSTALL A FLUE DAMPER IN THE EXHAUST VENTING SYSTEM OF THIS UNIT.**

The following installation guidelines must be followed to ensure conformity with both the safety listing of this stove and to local building codes. Do not use makeshift methods or compromise in the installation.

### **IMPORTANT:**

**THIS UNIT IS EQUIPPED WITH A NEGATIVE DRAFT SYSTEM THAT PULLS AIR THROUGH THE BURN POT AND PUSHES THE EXHAUST OUT OF THE DWELLING. IF THIS UNIT IS CONNECTED TO A FLUE SYSTEM OTHER THAN THE WAY EXPLAINED IN THIS MANUAL, IT WILL NOT FUNCTION PROPERLY.**

## MAXIMUM VENTING DISTANCE

Installation MUST include at least 3-feet of vertical pipe outside the home. This will create some natural draft to reduce the possibility of smoke or odor during appliance shutdown and keep exhaust from causing a nuisance or hazard by exposing people or shrubs to high temperatures. The maximum recommend vertical venting height is 12-feet for 3-inch type "PL" vent. Total length of horizontal vent must not exceed 4-feet. This could cause back pressure. Use no more than 180 degrees of elbows (two 90-degree elbows, or two 45-degree and one 90-degree elbow, etc.) to maintain adequate draft.

## IMPORTANCE OF PROPER DRAFT

Draft is the force which moves air from the appliance up through the chimney. The amount of draft in your chimney depends on the length of the chimney, local geography, nearby obstructions and other factors. Too much draft may cause excessive temperatures in the appliance. Inadequate draft may cause backpuffing into the room and 'plugging' of the chimney. Inadequate draft will cause the appliance to leak smoke into the room through appliance and chimney connector joints. An uncontrollable burn or excessive temperature indicates excessive draft. Take into account the chimney's location to ensure it is not too close to neighbours or in a valley which may cause unhealthy or nuisance conditions.

## PELLET VENT TYPE

A certified 3-inch or 4-inch type "PL" pellet vent exhaust system must be used for installation and attached to the pipe connector provided on the back of the stove (use a 3-inch to 4-inch adapter for 4-inch pipe). The connection at the back of the stove must be sealed using Hi-Temp RTV. Use a 4-inch vent if the vent height is over 12-feet or if the installation is over 2,500 feet above sea level. We recommend the use of Simpson Dura-Vent® or Metal-Fab® pipe (if you use other pipes, consult your local building codes and/or building inspectors). Do not use Type-B Gas Vent pipe or galvanized pipe with this unit. The pellet vent pipe is designed to disassemble for cleaning and should be checked several times during the burning season. The pellet vent pipe is not furnished with the unit and must be purchased separately.

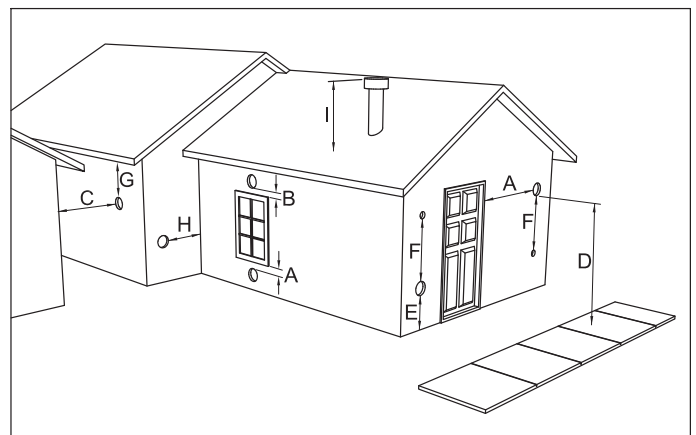
## PELLET VENT INSTALLATION

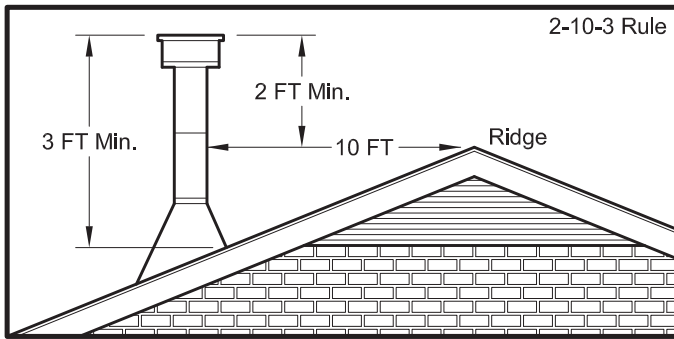
The installation must include a clean-out tee to enable collection of fly ash and to permit periodic cleaning of the exhaust system. 90-degree elbows accumulate fly ash and soot thereby reducing exhaust flow and performance of the stove. Each elbow or tee reduces draft potential by 30% to 50%. All joints in the vent system must be fastened by at least 3 screws, and all joints must be sealed with Hi-Temp RTV silicone sealant to be airtight. The area where the vent pipe penetrates to the exterior of the home must be sealed with silicone or other means to maintain the vapor barrier between the exterior and the interior of the home. Vent surfaces can get hot enough to cause burns if touched by children. Noncombustible shielding or guards may be required.

## PELLET VENT TERMINATION

Do not terminate the vent in an enclosed or semi-enclosed area, such as; carport, garage, attic, crawl space, under a sun deck or porch, narrow walkway, or any other location that can build up a concentration of fumes. Termination in one of these areas can also lead to unpredictable pressure situations with the appliance, and could result in improper performance and/or malfunction. The termination must exhaust above the outside air inlet elevation. The termination must not be located where it will become plugged by snow or other materials. Do not terminate the venting into an existing steel or masonry chimney.

## VENT TERMINATION CLEARANCES





- A. Minimum 4-foot (1.22m) clearance below or beside any door or window that opens.
- B. Minimum 1-foot (0.3m) clearance above any door or window that opens.
- C. Minimum 3-foot (0.91m) clearance from any adjacent building.
- D. Minimum 7-foot (2.13m) clearance from any grade when adjacent to public walkways.
- E. Minimum 2-foot (0.61m) clearance above any grass, plants, or other combustible materials.
- F. Minimum 3-foot (0.91m) clearance from an forced air intake of any appliance.
- G. Minimum 2-foot (0.61m) clearance below eaves or overhang.
- H. Minimum 1-foot (0.3m) clearance horizontally from combustible wall.
- I. Must be a minimum of 3 foot (0.91m) above the roof and 2 foot (0.61m) above the highest point or the roof within 10 feet (3.05m).

Determining where to install your new pellet stove heater. To get the most efficient use of re-circulated heat, you should consider a room that is centrally located within your home. Choose a room that is large and open. It is Extremely Important to maintain proper clearances from any combustible surfaces or materials in the room where your heater will be located. You can find proper clearance measurements in this manual and on the rating label of your pellet stove. The pellet stove can be vented through an exterior wall or into an existing masonry or metal chimney if "PL" vent pipe is used throughout existing chimney. Venting can pass through the ceiling and roof if approved pipe is used. Where passage through a wall, or partition of combustible construction is desired, the installation must conform to CAN/CSA-B365.

## WARNING:

- **DO NOT OBTAIN COMBUSTION AIR FROM THE ATTIC, GARAGE OR ANY OTHER UNVENTILATED AREA. YOU MAY OBTAIN COMBUSTION AIR FROM A VENTILATED CRAWL SPACE.**
- **DO NOT INSTALL A FLUE DAMPER IN THE EXHAUST VENTING SYSTEM OF THIS UNIT.**
- **DO NOT CONNECT THIS UNIT TO A CHIMNEY FLUE SERVING ANOTHER HEATER, FURNACE OR APPLIANCE.**
- **INSTALL VENT AT CLEARANCES SPECIFIED BY THE VENT MANUFACTURER.**
- **ONLY USE APPROVED MATERIAL FOR INSTALLATION, FAILURE TO DO SO MAY RESULT IN PROPERTY DAMAGE, BODILY INJURY, OR EVEN DEATH.**

This appliance is certified for use with listed 3 inch or 4 inch "PL" pellet venting products. The use of other components other than stated herein could cause bodily harm, heater damage, and void your warranty.

## HORIZONTAL EXHAUST VENT INSTALLATION

1. Locate your pellet stove in a location which meets the requirements of this manual, but in an area where it does not interfere with the house framing, wiring, etc.
2. Install a non-combustible hearth pad underneath the pellet stove. This pad should extend at least 6" (152 mm) in front of the unit.
3. Place the pellet stove approximately 15" (381 mm) away from the interior wall.
4. Locate the center of the exhaust pipe of your unit. This point should then be extended to the interior wall of your house. Once you have located the center point, on the interior wall, cut a 7" (175 mm) diameter hole through the wall.
5. The next step is to install the wall thimble, refer to the instructions which come with the wall thimble for this step.
6. Install the appropriate length of exhaust vent pipe into the wall thimble. See steps 11 and 12 when determining the correct length of exhaust vent to use.

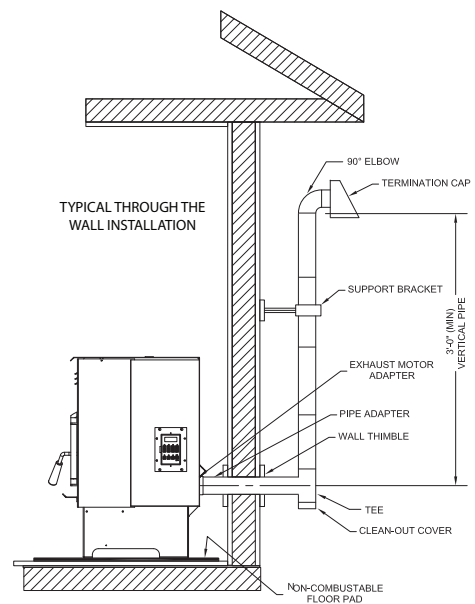


7. **Outside Fresh Air is Mandatory when installing this pellet stove room heater in airtight homes and mobile homes. Be sure that the outside air vent has an approved cap on it to prevent rodents from entering. Be sure to install in location that won't become blocked with snow, etc.**
8. Connect the exhaust vent pipe to the exhaust outlet of your pellet stove.
9. Secure all vent joint connections with 3 screws. Seal the exhaust vent joint connections with high temperature silicone sealant.
10. Push the unit straight back to the interior wall, being sure to maintain the minimum clearances to combustibles 2" (51 mm) to the back of the unit. Seal the annular space of the wall thimble and around the vent pipe with high temperature silicone sealant.
11. The exhaust vent pipe must extend at least 12" (300 mm) out past the exterior wall. Seal the annular space of the wall thimble and around the vent pipe with high temperature silicone sealant.
12. Install an approved horizontal termination cap or if necessary install a 90° elbow and appropriate length of vertical venting. An approved vertical vent cap is recommended.

## THROUGH THE WALL INSTALLATION (RECOMMENDED INSTALLATION)

Canadian installations must conform to CAN/CSA-B365. To vent the unit through the wall, connect the pipe adapter to the exhaust motor adapter. If the exhaust adapter is at least 18" (457 mm) above ground level, a straight section of pellet vent pipe can be used through the wall. Your heater dealer should be able to provide you with a kit that will handle most of this installation, which will include a wall thimble that will allow the proper clearance through a combustible wall. Once outside the structure, a 3" (76 mm) clearance should be maintained from the outside wall and a clean out tee should be placed on the pipe with a 90-degree turn away from the house. At this point, a 3ft (0.91m) (minimum) section of pipe should be added with a horizontal cap, which would complete the installation. A support bracket should be placed just below the termination cap or one every 4ft (1.22m) to make the system more stable. If you live in an area that has heavy snowfall,

it is recommended that the installation be taller than 3ft (0.91m) to get above the snowdrift line. This same installation can be used if your heater is below ground level by simply adding the clean-out section and vertical pipe inside until ground level is reached. With this installation you have to be aware of the snowdrift line, dead grass, and leaves. We recommend a 3ft (0.91m) minimum vertical rise on the inside or outside of the house. The "through the wall" installation is the least expensive and simplest installation. Never terminate the end vent under a deck, in an alcove, under a window, or between two windows. We recommend Simpson Dura-Vent® or Metal-Fab® kits.

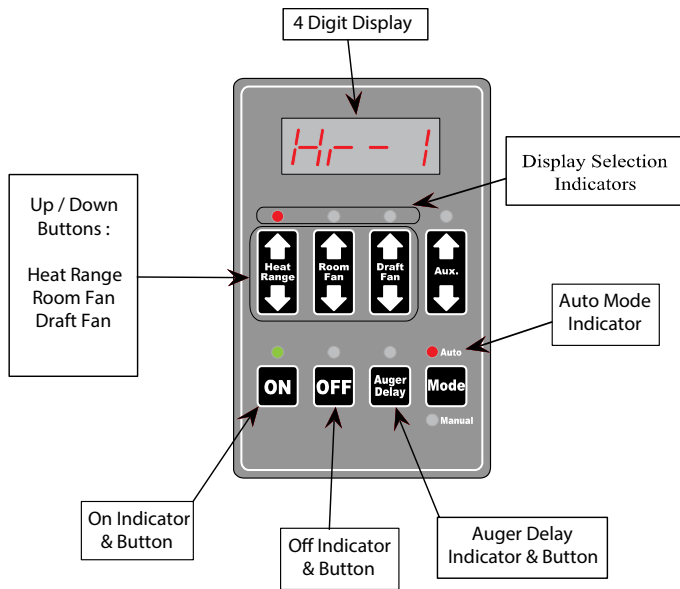


## THROUGH THE ROOF/CEILING INSTALLATION

- When venting the heater through the ceiling, the pipe is connected the same as through the wall, except the clean-out tee is always on the inside of the house, and a 3" (76 mm) adapter is added before the clean-out tee.
- You must use the proper ceiling support flanges and roof flashing (supplied by the pipe manufacturer; follow the pipe manufacturer's directions). It is important to note that if your vertical run of pipe is more than 12ft (3.7m), the pellet vent pipe size should be increased to 4" (102 mm) in diameter.
- Do not exceed more than 4ft (1.22m) of pipe on a horizontal run and use as few elbows as possible. If an offset is required, it is better to install 45-degree elbows rather than 90-degree elbows.

## NEVER OPERATE THIS PRODUCT WHILE UNATTENDED

### HOW YOUR STOVE WORKS



Your pellet stove utilizes an inclined auger fuel feed system that is operated by a microprocessor controlled digital circuit board. The digital circuit board allows the inclined auger fuel feed system to run in a timer-based, non-continuous cycle; this cycling allows the auger to run for a predetermined period of seconds. The auger pushes pellets up a chute located at the front/bottom of the hopper which in turn falls through another chute into the burnpot. Your stove is equipped with an automatic ignition system that should ignite the fuel within 5-10 minutes from pressing the ON button. As pellets enter the burn pot and ignite, outside air is drawn across the fuel and heated during the combustion process which is then pulled through the heat exchanger by the exhaust motor or draft fan. As the stove heats up, room air is circulated around the heat exchanger by means of a room air blower, distributing warm air into the room.

The amount of heat produced by the stove is proportional to the rate of the fuel that is burned, and this rate is controlled by the "HEAT RANGE" setting. In order to maintain combustion of the fuel at a desired rate, the air provided to the burn chamber by the exhaust or draft fan must be maintained precisely. Too little air will result in a flame that is non-energetic or lazy. If the fuel continues to flow with too little air for long enough, the burn pot will fill with too much fuel and the fire will smother out. Too much air will result in a flame that is overactive

or aggressive. The flame in this situation is typically very blue at the bottom and resembles a blow torch. If this situation continues, the fuel in the burn pot will be consumed and the fire will go out. Matching the amount of air required for proper combustion to the fuel rate is the primary objective in effectively burning pellets of various brands and qualities in your stove. The air to fuel ratio can be adjusted by following the procedures detailed in the remainder of this manual. Because a forced draft pressure is required for the combustion process inside your stove, it is extremely important that the exhaust system be properly installed and maintained. And, that when operating your stove, you make sure that the viewing door is properly sealed.

### PANEL/REMOTE CONTROLS



The operation of this appliance can be controlled from the panel located on the side of the stove and/or by the remote control. The control functions are as follows:

#### A. **On/Off Switch ("Power" Button)**

- When pushed, the stove will automatically ignite. No other fire starter is necessary. The igniter will stay on for at least 10 and up to 12 minutes, depending on when Proof of Fire is reached. The fire should start in approximately 5 minutes.
- After pushing "POWER", the auger motor is on for 3.5 minutes, off for 1 minute. During the remainder of the start-up period, the auger motor operates

on the heat range “1” setting.

- During start up the heat level advance (Up and Down keys) will change the heat range indicator level accordingly, but there is no change in the stoves operating conditions until start-up is completed.
- During start-up ignition must occur within 12 minutes or the stove will error out and show E3.
- During the start-up phase, the Mode key does not function.

## B. Heat Range Arrow Buttons

- These buttons when pushed will set the pellet feed rate, hence the heat output or heat range of your stove. When using the hand-held remote this function can be performed with the “Up/Down” buttons.
- The levels of heat output will incrementally change on the bar graph starting from heat range “1” to heat range “5”.

## CONTROL PANEL OVERVIEW

Turning the heater ON/OFF, as well as adjustments for the fuel feed rate and room fan speed are performed by pressing the appropriate button(s) on the control panel which is located on the lower left-hand side of your heater.

### • ON/OFF

Pressing the “ON” button on the control panel will begin the start-up sequence for the heater. Fuel will begin to feed through the auger feed system then ignite after approximately 5 minutes.

Pressing the “OFF” button on the control panel will cause the heater to enter its shut-down sequence. The fuel feed system will stop pulling fuel from the hopper and, once the fire goes out and the heater cools down, the fans will stop running.

### • HEAT RANGE

Pressing the “Heat Range” arrows, up or down, will adjust the amount of fuel being delivered to the burnpot.

### • DRAFT FAN

The draft fan (exhaust) will come on as soon as the “ON” button is pressed. The fan will automatically adjust its speed in accordance to the heat range setting. However, this speed can be manually

operated by pressing the “Draft Fan” arrows up or down. “Draft Fan” when pressed, the display will show “Df-A”, which is automatic. Press the arrows again to adjust fan speed. When the heater is in the manual mode, the optional thermostat will not properly control the unit. When adjusting the Draft Fan setting, try only 1 setting above or below the heat setting. It is better to leave the stove in the automatic mode.

### • ROOM FAN

The room fan will come on once the unit has reached operating temperature. By pressing the “Room Fan” buttons, the display will show “Rf-A” which is automatic or “Rf-1” through “Rf-9” for manual settings. In auto mode, the room fan’s speed will automatically be adjusted in accordance with the heat range setting. By pressing the “Room Fan” up arrow, you can adjust the fan speed setting up to “Rf-9”. The room fan must operate at a level greater than or equal to the heat range setting.

### • AUX - USED TO RETURN THE STOVE TO THE FACTORY SETTINGS

To return the stove to it’s original factory settings, press and hold the AUX UP and AUX DOWN buttons simultaneously for 3 seconds.

### • AUGER DELAY

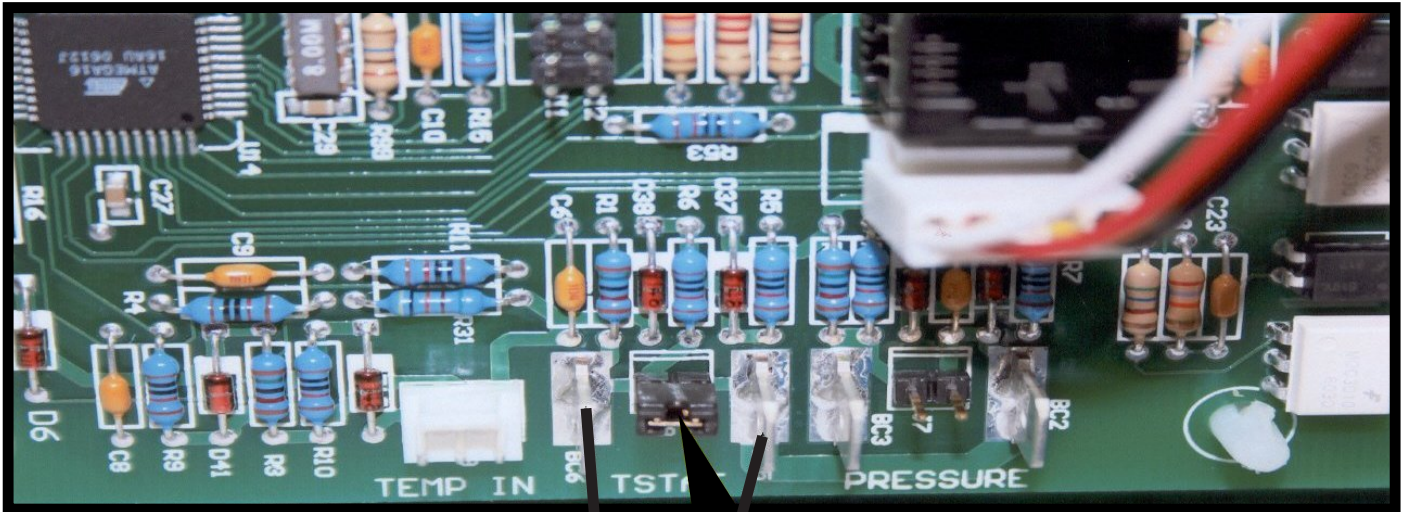
The “Auger Delay” button can be used to pause rotation of the Auger for approximately 1 minute. This can be cancelled by pressing the “ON” button. The “Auger Delay” is normally used only during the start up cycle to slow the fuel delivery down during the initial ignition.

### • MODE

The “Mode” button is not used on this model.

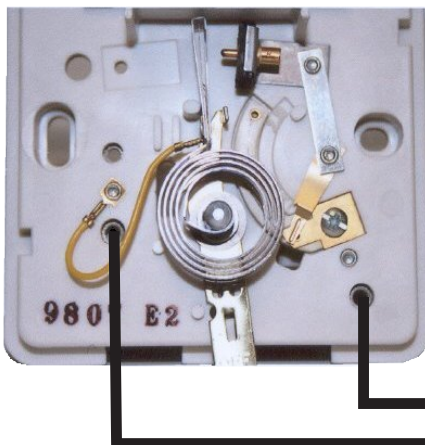
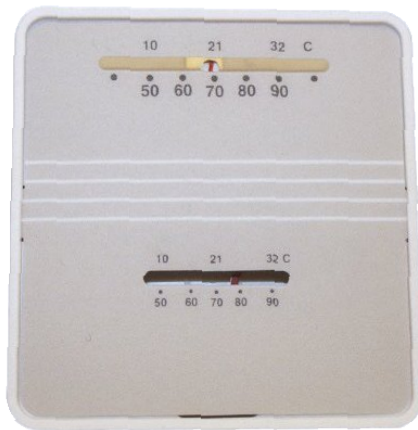
During normal operation, the unit is constantly monitored for problems. In the event of an error condition, the unit will stop and an error will be displayed. See the list of error codes found at the end of this manual.

## THERMOSTAT HOOK-UP



### The Jumper Must Be Removed First

1. Put female terminals on the lead wires to your low voltage thermostat.
2. Plug one thermostat lead onto each of the terminal posts on the circuit board.



**IMPORTANT NOTE:** The purpose of the T'Stat is to make the stove cycle between the preselected desired heat range setting ("1" to "5") and the minimum heat range setting of "1".

**The T'Stat will not turn the stove on and off.**

When the desired room temperature has been reached and the T'Stat no longer requires heat it will reduce to a minimum heat range setting of "1". **The unit will not turn completely off.** Once the room temperature has dropped and the T'Stat requires more heat, the unit will begin to feed pellets at the preselected heat setting ranging from "1" to "5".

Use 18 gauge, 2 conductor wire

**WARNING:**

- **DO NOT USE CHEMICALS OR FLUIDS TO START THE FIRE - NEVER USE GASOLINE, GASOLINE-TYPE LANTERN FUEL, KEROSENE, CHARCOAL LIGHTER FLUID, OR SIMILAR LIQUIDS TO START OR “FRESHEN UP” A FIRE IN THIS STOVE. KEEP ALL SUCH LIQUIDS WELL AWAY FROM THE STOVE WHILE IT IS IN USE.**
- **HOT WHILE IN OPERATION. KEEP CHILDREN, CLOTHING AND FURNITURE AWAY. CONTACT MAY CAUSE SKIN BURNS.**

This heater is designed to burn only PFI Premium grade pellets. DO NOT BURN:

1. Garbage;
2. Lawn clippings or yard waste;
3. Materials containing rubber, including tires;
4. Materials containing plastic;
5. Waste petroleum products, paints or paint thinners, or asphalt products;
6. Materials containing asbestos;
7. Construction or demolition debris;
8. Railroad ties or pressure-treated wood;
9. Manure or animal remains;
10. Salt water driftwood or other previously salt water saturated materials;
11. Unseasoned wood; or
12. Paper products, cardboard, plywood, or particleboard. The prohibition against burning these materials does not prohibit the use of fire starters made from paper, cardboard, saw dust, wax and similar substances for the purpose of starting a fire in an affected wood heater.

Burning these materials may result in release of toxic fumes or render the heater ineffective and cause smoke.

## PROPER FUEL

**ATTENTION:**

**THIS APPLIANCE IS DESIGNED FOR THE USE OF PELLETIZED FUEL THAT MEET OR EXCEED THE STANDARD SET BY THE PELLET FUEL INSTITUTE (PFI).**

Your pellet stove is designed to burn premium hardwood pellets that comply with the Pellet Fuels Institute (PFI) standard (minimum of 40 lbs density per cubic ft, 1/4” to 5/16” diameter, length no greater than 1.5”, not less than 8,200 BTU/lb, moisture under 8% by weight, ash under 1% by weight, and salt under 300 parts per million). Pellets that are soft, contain excessive amounts of loose sawdust, have been, or are wet, will result in reduced performance. Store your pellets in a dry place. DO NOT store the fuel within the installation clearances of the unit or within the space required for refuelling and ash removal. Doing so could result in a house fire. Do not over fire or use volatile fuels or combustibles, doing so may cause a personal and property damage hazards.

THIS STOVE IS APPROVED FOR BURNING PELLETIZED WOOD FUEL ONLY! Factory-approved pellets are those 1/4” or 5/16” in diameter and not over 1” long. Longer or thicker pellets sometimes bridge the auger flights, which prevents proper pellet feed. Burning wood in forms other than pellets is not permitted. It will violate the building codes for which the stove has been approved and will void all warranties. The design incorporates automatic feed of the pellet fuel into the fire at a carefully prescribed rate. Any additional fuel introduced by hand will not increase heat output but may seriously impair the stoves performance by generating considerable smoke. Do not burn wet pellets. The stove’s performance depends heavily on the quality of your pellet fuel. Avoid pellet brands that display these characteristics:

- Excess Fines – “Fines” is a term describing crushed pellets or loose material that looks like sawdust or sand. Pellets can be screened before being placed in hopper to remove most fines.
- Binders – Some pellets are produced with materials to hold the together, or “bind” them.
- High ash content – Poor quality pellets will often create smoke and dirty glass. They will create a need for more frequent maintenance. You will have to empty the burn pot plus vacuum the entire system more often. Poor quality pellets could damage the auger. We cannot accept responsibility for damage due to poor quality pellet.

**CAUTION:**

- **KEEP FOREIGN OBJECTS OUT OF THE HOPPER.**
- **THE MOVING PARTS OF THIS STOVE ARE PROPELLED BY HIGH TORQUE ELECTRIC MOTORS. KEEP ALL BODY PARTS AWAY FROM THE AUGER WHILE THE STOVE IS PLUGGED INTO AN ELECTRICAL OUTLET. THESE MOVING PARTS MAY BEGIN TO MOVE AT ANY TIME WHILE THE STOVE IS PLUGGED IN.**

### PRE-START-UP CHECK

Remove burn pot, making sure it is clean and none of the air holes are plugged. Clean the firebox, and then reinstall burn pot. Clean door glass if necessary (a dry cloth or paper towel is usually sufficient). Never use abrasive cleaners on the glass or door. Check fuel in the hopper, and refill if necessary.

### BUILDING A FIRE

Never use a grate or other means of supporting the fuel. Use only the burn pot supplied with this heater. Hopper lid must be closed in order for the unit to feed pellets. During the start-up period:

- Make sure the burn pot is free of pellets.
- DO NOT open the viewing door.
- The damper may need to be closed during startup.
- DO NOT add pellets to the burn pot by hand.

NOTE: During the first few fires, your stove will emit an odor as the high-temperature paint cures or becomes seasoned to the metal. Maintaining smaller fires will minimize this. Avoid placing items on the stovetop during this period because the paint could be affected. Attempts to achieve heat output rates that exceed heater design specifications can result in permanent damage to the heater.

### OPTIMAL OPERATION

This pellet stove has been certified by the US EPA to meet strict 2020 guidelines. To insure this unit produces the optimal minimal emissions, it is critical to follow the following guidelines. To achieve a "high burn" your stove should be set on setting 5. To achieve a "medium burn" your stove should be set on setting 1. To achieve a "low burn" your stove should be set on setting 1.

**NOTE:** It is possible you may want to use setting 2 for your medium setting. During EPA testing, it was determined setting 1 achieved a medium burn rate under laboratory conditions. Settings 3 & 4 will give you a higher heat output above medium. If the door is opened while the stove is in operation it must be closed within 30 seconds or the stove will shut down. If the stove shuts down push the "On/Off" button to re-start your stove. The stove will have to fully shut down and turn off before you will be able to restart the stove.

### IGNITOR

1. Fill hopper and clean burn pot.
2. Press the "On/Off" button. Make sure the green light comes on.
3. Adjust the feed rate to the desired setting by pressing the "Heat Level Advance" button.

If the fire doesn't start in 12 minutes, press "On/Off", wait a few minutes, clear the burn pot, and start the procedure again.

### OPENING DOOR

**CAUTION:**

- **DO NOT OPERATE YOUR STOVE WITH THE VIEWING DOOR OPEN. THE AUGER WILL NOT FEED PELLETS UNDER THESE CIRCUMSTANCES AND A SAFETY CONCERN MAY ARISE FROM SPARKS OR FUMES ENTERING THE ROOM.**
- **THE DOOR MUST BE CLOSED AND SEALED DURING OPERATION.**

If the door is opened while the stove is in operation it must be closed within 30 seconds or the stove will shut down. If the stove shuts down push the "On/Off" button to re-start your stove. The stove will have to fully shut down and turn off before you will be able to restart the stove.

### ROOM AIR FAN

When starting your stove the Room Air Fan will not come on until the stove's heat exchanger warms up. This usually takes about 10 minutes from start-up.

### IF STOVE RUNS OUT OF PELLETS

The fire goes out and the auger motor and blowers will run until the stove cools. This will take 30 minutes or longer depending on the heat remaining in

the appliance. After the stove components stop running all lights on the display will go out and the two digit display will begin flashing "E3"

## REFUELLING

### WARNING:

- **KEEP HOPPER LID CLOSED AT ALL TIMES EXCEPT WHEN REFILLING.**
- **DO NOT OVERFILL HOPPER.**

### CAUTION:

- **THE HOPPER AND STOVE TOP WILL BE HOT DURING OPERATION; THEREFORE, YOU SHOULD ALWAYS USE SOME TYPE OF HAND PROTECTION WHEN REFUELING YOUR STOVE.**
- **DO NOT TOUCH THE HOT SURFACES OF THE STOVE. EDUCATE ALL CHILDREN ON THE DANGERS OF A HIGH-TEMPERATURE STOVE. YOUNG CHILDREN SHOULD BE SUPERVISED WHEN THEY ARE IN THE SAME ROOM AS THE STOVE.**
- **NEVER PLACE YOUR HAND NEAR THE AUGER WHILE THE STOVE IS IN OPERATION.**
- **WE RECOMMEND THAT YOU NOT LET THE HOPPER DROP BELOW 1/4 FULL.**

## TAMPER WARNING

This wood heater has a manufacturer-set minimum low burn rate that must not be altered. It is against federal regulations to alter this setting or otherwise operate this wood heater in a manner inconsistent with operating instructions in this manual.

## SHUTDOWN PROCEDURE

### WARNING:

**NEVER SHUT DOWN THIS UNIT BY UNPLUGGING IT FROM THE POWER SOURCE.**

Turning your stove off is a matter of pressing the "POWER" button on the display board. The green light will turn back to red when the "POWER" button is pushed. The auger motor will stop, and the blowers will continue to operate until the internal firebox temperatures have fallen to a preset level.

1. Your stove is equipped with a high temperature thermodisc. This unit has a manual reset

thermodisc. This safety switch has two functions.

- A. To recognize an overheat situation in the stove and shut down the fuel feed or auger system.
- B. In case of a malfunctioning convection blower, the high-temperature thermodisc will automatically shut down the auger, preventing the stove from overheating.

NOTE: On some units, once tripped, like a circuit breaker, the reset button will have to be pushed before restarting your stove. On other units the thermodisc has no reset button and will reset itself once the stove has cooled. The manufacturer recommends that you call your dealer if this occurs as this may indicate a more serious problem. A service call may be required.

2. If the combustion blower fails, an air pressure switch will automatically shut down the auger.

NOTE: Opening the stove door for more than 30 seconds during operation will cause enough pressure change to activate the air switch, shutting the fuel feed off. The stove will shut down and show "E2" on the two digit display. The stove has to fully shut down before restarting.

## INTERIOR CHAMBERS

- **Burn Pot** - Periodically remove and clean the burn pot and the area inside the burn pot housing. In particular, it is advisable to clean out the holes in the burn pot to remove any build up that may prevent air from moving through the burn pot freely.

Over time ash or dust may accumulate on the blades of the circulation & exhaust fans. The fans should be inspected, periodically, and if any accumulation is present vacuumed clean as the ash or dust can impede the fans performance. It is also possible that creosote may accumulate in the exhaust fan therefore, this must be brushed clean. The exhaust fan can be found behind the left side panel (facing the front of the heater), the circulation fan can be found behind the right side panel. To access the igniter, remove the air inlet tube and cover (2 screws). The auger motor is located in the center rear of the unit. Note: When cleaning, take care not to damage the fan blades.

If a vacuum is used to clean your stove, we suggest using the AV15E AshVac vacuum. The AV15E AshVac is designed for ash removal. Some regular vacuum cleaner (i.e. shop vacs) may leak ash into the room.

**DO NOT VACUUM HOT ASH.**

**NEVER OPERATE THIS PRODUCT WHILE UNATTENDED**

<b>CAUTION:</b>
<ul style="list-style-type: none"> <li>• <b>FAILURE TO CLEAN AND MAINTAIN THIS UNIT AS INDICATED CAN RESULT IN POOR PERFORMANCE, SAFETY HAZARDS, FIRE, AND EVEN DEATH.</b></li> <li>• <b>NEVER PERFORM ANY INSPECTIONS, CLEANING, OR MAINTENANCE ON A HOT STOVE.</b></li> <li>• <b>DISCONNECT THE POWER CORD BEFORE PERFORMING ANY MAINTENANCE! NOTE: TURNING THE ON/OFF SWITCH TO "OFF" DOES NOT DISCONNECT ALL POWER TO THE ELECTRICAL COMPONENTS OF THE STOVE.</b></li> <li>• <b>DO NOT OPERATE STOVE WITH BROKEN GLASS, LEAKAGE OF FLUE GAS MAY RESULT.</b></li> <li>• <b>ATTEMPTS TO ACHIEVE HEAT OUTPUT RATES THAT EXCEED HEATER DESIGN SPECIFICATIONS CAN RESULT IN PERMANENT DAMAGE TO THE HEATER.</b></li> </ul>

**CREOSOTE FORMATION, INSPECTION, & REMOVAL**

<b>CAUTION:</b>
<b>THE EXHAUST SYSTEM SHOULD BE CHECKED MONTHLY DURING THE BURNING SEASON FOR ANY BUILD-UP OF SOOT OR CREOSOTE.</b>

When any wood is burned slowly, it produces tar and other organic vapors, which combine with expelled moisture to form creosote. The creosote vapors condense in the relatively cool chimney flue or a newly started fire or from a slow-burning fire. As a result, creosote residue accumulates on the flue lining. When ignited, this creosote makes an extremely hot fire, which may damage the chimney or even destroy the house. Despite their high efficiency, pellet stoves can accumulate creosote under certain conditions. The chimney connector and chimney should be inspected by a qualified person annually or per ton of pellets to determine if a creosote or fly ash build-up has occurred. If creosote has accumulated, it should be removed to reduce the risk of a chimney fire. Inspect the system at the stove connection and

at the chimney top. Cooler surfaces tend to build creosote deposits quicker, so it is important to check the chimney from the top as well as from the bottom. The creosote should be removed with a brush specifically designed for the type of chimney in use. A qualified chimney sweep can perform this service. It is also recommended that before each heating season the entire system be professionally inspected, cleaned and, if necessary, repaired. To clean the chimney, disconnect the vent from the stove.

**FLY ASH**

This accumulates in the horizontal portion of an exhaust run. Though non-combustible, it may impede the normal exhaust flow. It should therefore be periodically removed.

**ASH REMOVAL & DISPOSAL**

<b>CAUTION:</b>
<b>ALLOW THE STOVE TO COOL BEFORE PERFORMING ANY MAINTENANCE OR CLEANING. ASHES MUST BE DISPOSED IN A METAL CONTAINER WITH A TIGHT FITTING LID. THE CLOSED CONTAINER OF ASHES SHOULD BE PLACED ON A NON-COMBUSTIBLE SURFACE OR ON THE GROUND, WELL AWAY FROM ALL COMBUSTIBLE MATERIALS, PENDING FINAL DISPOSAL.</b>

Remove the ashes periodically to avoid unnecessary ash build up. Remove ashes when unit has cooled. Ashes should be placed in a metal container with a tight fitting lid. The closed container of ashes should be placed on a noncombustible floor or on the ground, well away from all combustible materials, pending final disposal. If the ashes are disposed of by burial in soil or otherwise locally dispersed, they should be retained in the closed container until all embers have been thoroughly cooled. The container shall not be used for other trash or waste disposal. If combined with combustible substances, ashes and embers may ignite.

**SMOKE & CO MONITORS**

Burning wood naturally produces smoke and carbon monoxide(CO) emissions. CO is a poisonous gas when exposed to elevated concentrations



for extended periods of time. While the modern combustion systems in heaters drastically reduce the amount of CO emitted out the chimney, exposure to the gases in closed or confined areas can be dangerous. Make sure you stove gaskets and chimney joints are in good working order and sealing properly to ensure unintended exposure. It is recommended that you use both smoke and CO monitors in areas having the potential to generate CO.

## CHECK & CLEAN THE HOPPER

Check the hopper periodically to determine if there is any sawdust (fines) that is building up in the feed system or pellets that are sticking to the hopper surface. Clean as needed.

## DOOR & GLASS GASKETS

Inspect the main door and glass window gaskets periodically. The main door may need to be removed to have frayed, broken, or compacted gaskets replaced by your authorized dealer. This unit's door uses a 3/4" diameter rope gasket.

## BLOWER MOTORS

Clean the air holes on the motors of both the exhaust and distribution blowers annually. Remove the exhaust blower from the exhaust duct and clean out the internal fan blades as part of your fall start-up. If you have indoor pets your power motors should be inspected monthly to make sure they are free of animal hair build up. Animal hair build up in blowers can result in poor performance or unforeseen safety hazards.

## PAINTED SURFACES

Painted surfaces may be wiped down with a damp cloth. If scratches appear, or you wish to renew your paint, contact your authorized dealer to obtain a can of suitable high-temperature paint.

## GLASS

We recommend using a high-quality glass cleaner. Should a buildup of creosote or carbon accumulate, you may wish to use 000 steel wool and water to clean the glass. DO NOT use abrasive cleaners. DO NOT perform the cleaning while the glass is HOT. Do not attempt to operate the unit with broken glass. Replacement glass may be purchased from your U.S. Stove dealer. If the glass is broken, follow these removal procedures:

1. Once the heater has cooled, remove the door from the heater.
2. Remove the rope gasket from the door followed by the nuts holding the glass retainer in place.
3. While wearing gloves, carefully remove any loose pieces of glass from the door frame.
4. Replace the glass and gasket, making sure the gasket runs the full perimeter of the glass edge.
5. Re-install the retainer and eight nuts and rope gasket using high-temperature silicone to adhere the gasket to the door.
6. Never use substitute materials for the glass.

DO NOT abuse the door glass by striking, slamming, or similar trauma. Do not operate the stove with the glass removed, cracked, or broken.

## FALL START UP

Prior to starting the first fire of the heating season, check the outside area around the exhaust and air intake systems for obstructions. Clean and remove any fly ash from the exhaust venting system. Clean any screens on the exhaust system and on the outside air intake pipe. Turn all of the controls on and make sure that they are working properly. This is also a good time to give the entire stove a good cleaning throughout.

## SPRING SHUTDOWN

After the last burn in the spring, remove any remaining pellets from the hopper and the auger feed system. Scoop out the pellets and then run the auger until the hopper is empty and pellets stop flowing (this can be done by pressing the "ON" button with the viewing door open). Vacuum out the hopper. Thoroughly clean the burn pot, and firebox. It may be desirable to spray the inside of the cleaned hopper with an aerosol silicone spray if your stove is in a high humidity area. The exhaust system should be thoroughly cleaned.

**MAINTENANCE SCHEDULE**

Use the following as a guide under average use conditions. Gaskets around door and door glass should be inspected and repaired or replaced when necessary.

	Daily	Weekly	Monthly or as needed
Burn Pot	Stirred	Empty	
Combustion Chamber		Brushed	
Ashes		Check	Empty
Interior Chambers			Vacuumed
Combustion Blower Blades			Vacuumed / Brushed
Convection Blower Impeller			Vacuumed / Brushed
Vent System			Cleaned
Gaskets			Inspected
Glass	Wiped	Cleaned	
Hopper (end of season)			Empty & Vacuumed

# TROUBLESHOOTING GUIDE

- Disconnect the power cord before performing any maintenance! NOTE: Turning the ON/OFF Switch to "OFF" does not disconnect all power to the electrical components of the stove.
- Never try to repair or replace any part of the stove unless instructions for doing so are given in this manual. All other work should be done by a trained technician.

PROBLEM	CAUSE: To rich air/fuel mixture
Orange, lazy flame excessive fuel build-up in the burnpot	Clean out the burnpot and burnpot housing Make sure that the viewing door is closed and sealed properly. If not, adjust door catch and/or replace door gaskets. Check that all outside connections are clear of any obstructions. Check the exhaust system; clean as needed.
PROBLEM	CAUSE: Burnpot burns out of fuel
Fire goes out or stove shuts down.	Hopper is empty, refill the hopper. Loss of draft pressure. Make sure that the viewing door is closed and sealed properly. If not, adjust door catch and/or replace door gaskets. Check that all outside connections are clear of any obstructions. Check the exhaust system; clean as needed. Check that the pressure switch connection to the firebox is free of ash or clear of obstructions. Auger system is jammed or there is a "bridging" of the fuel in the hopper, preventing fuel from flowing into the auger feed system.
PROBLEM	CAUSE: Auto-Start Igniter fails to ignite the fuel in the burn pot.
Stove does not start a fire when the "ON" button is pushed	Turn the stove "OFF". Clear the unburned fuel from the burnpot and try again. Check the pellet quality. Replace if moist, wet, or dirty. Loss of draft pressure. Make sure that the viewing door is closed and sealed properly. If not, adjust door catch and/or replace door gaskets. Check that all outside connections are clear of any obstructions. Check the exhaust system; clean as needed. Check that the auto-start igniter is not blocked with ash or soot. (The igniter is located behind the burnpot on the back wall of the firebox.) Check that the pressure switch connection to the firebox is free of ash or clear of obstructions. The auto-start igniter gets "red hot" during start-up. If you can not visibly see the igniter glowing during start-up, then the igniter may need to be replaced or there is a problem with the electrical control system.
PROBLEM	CAUSE: Power outage
Experiencing low exhaust pressure	Turn off the circuit board and turn it back on.

**ATTENTION: THIS WOOD HEATER NEEDS PERIODIC INSPECTION AND REPAIR FOR PROPER OPERATION. IT IS AGAINST FEDERAL REGULATIONS TO OPERATE THIS WOOD HEATER IN A MANNER INCONSISTENT WITH OPERATING INSTRUCTIONS IN THIS MANUAL.**

Error Code	Error Description	Possible Causes
Err1	The high limit temperature sensor has tripped.	Inadequate ventilation. Room fan failure. Exhaust Blockage. Electrical Open in wiring.
Err2	Stove ran out of fuel during normal operation.	Hopper Empty. Auger output failure or jam. Flame or fuel quality caused fire to burn too slowly or go out. Electrical Open in wiring. The high limit thermosdisc has tripped and will need to be manually reset.
Err3	The stove was unable to reach the Room Fan On temperature within the start-up time.	Flame or Fuel quality caused the fire to burn too slowly or go out. Auger output failure or jam Hopper empty on start-up.
Err4	The power failed while the stove was hot, and when power was restored, the fire was out.	Electrical Open in wiring. Power loss
Err5	The Auger output fuse has blown.	Auger motor jammed or bad.
Err6	The Ignitor output fuse has blown.	Ignitor shorted out or bad.
Err7	The Draft Fan (Exhaust Fan) output fuse has blown.	Draft Fan motor jammed or bad.
Err8	The Room Fan output fuse has blown.	Room fan motor jammed or bad.

## DISPLAY INDICATORS

Several situations or events are indicated in normal operation by blinking display indicators or segments in the display:

**Flashing On** - This means that the stove is in the "Start Up" state waiting for the ignition procedure to complete.

**Flashing Off** - This indicates that the stove is in the "Shut Down" state waiting for the off button, or for a 15 minute period after the stove was turned off, or for the stove to cool down, or for the door to be closed.

**Flashing dash in Heat Range Display** - This indicates that the stove is in the normal run mode and is ramping from the current heat range setting to the target heat range setting. Once the ramp is complete, the dash will stop flashing. For ramping from heat range 1 to 5, the default time is 12 minutes (with a 90 second ramp time).

**Flashing Automatic Mode** - This indicates that the stove is in normal operation and is running in the automatic mode. However, either the draft fan

or room fan setting is manually configured.

**Flashing Draft Fan Setting** - This indicates that the stove is in normal operation and that the vacuum sensor detects a loss of pressure either because the door is open or because there is a negative pressure in the room with respect to the exhaust.

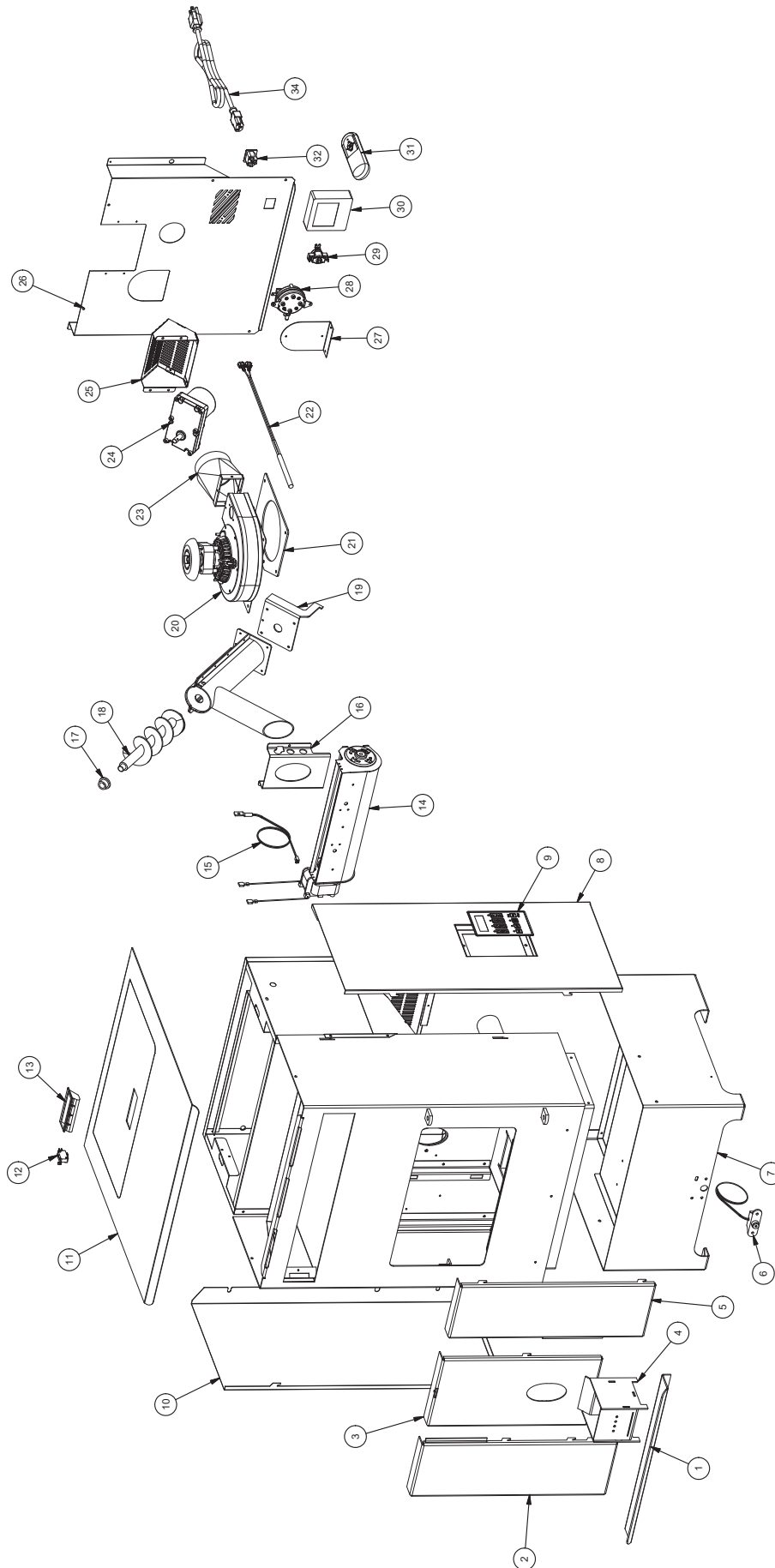
**Flashing Aux** - This indicates that the ignitor is on during the lighting stage.

**Quickly (changes twice per second) Flashing Heat Range Setting** - This indicates that the stove is in normal operation and that an over-temperature condition exists causing the fuel to stop.

**Slowly (changes once per second) Flashing Heat Range Setting** - This indicates that the stove is in a cut back condition in an attempt to prevent an over-temperature shut down.

## FACTORY DEFAULTS

To return the control to its original factory default settings, press and hold the AUX UP and AUX DOWN buttons together for three seconds.



Key	Part #	Description	Qty
1	28844	Hearth	1
2	28855	Left Liner	1
3	28839	Center Liner	1
4	69762	Burn Pot	1
5	28838	Right Liner	1
6	80798	IR Sensor	1
7	28603	Pedestal	1
8	610860	Right Cabinet Side	1
9	80778	Circuit Board (4-Digit) IR Compatible	1
10	28837	Left Cabinet Side	1
11	610861	Top Plate Assembly	1
12	80491	Micro-switch	1
13	891148	Plastic Handle	1
14	80834	Convection Blower	1
15	80480	Thermistor	1
16	28873	Drop Chute Cover	1
17	891132	Bushing	2
18	893012	Auger	1

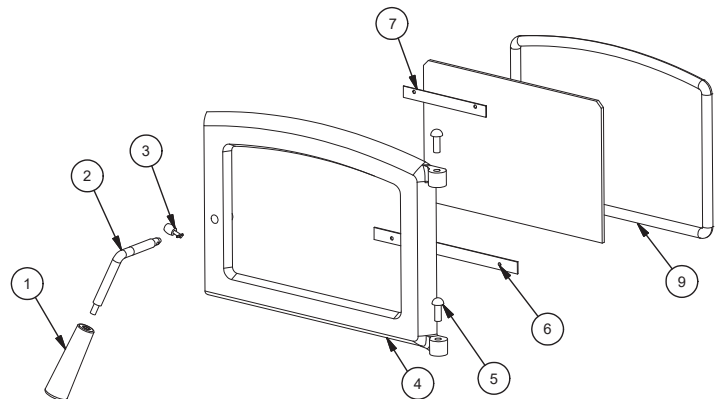
19	28846	Auger motor Bracket	1
20	80782	Combustion Blower	1
21	88308	Blower Gasket	1
22	80869	Ceramic Ignitor	1
23	40867	Transition, Blower	1
24	80781	Auger Motor	1
25	28845	Motor Cover	1
26	28604	Back Panel	1
27	28889	Pressure Switch Bracket	1
28	80549	Vacuum Switch	1
29	80609	High Limit Thermodisc	1
30	80779	Digital Wall Thermostat	1
31	80780	IR Remote	1
32	80462	3 Prong Receptacle	1
33	80461	Power Cord	1

To order parts:

Call 1-800-750-2723 Ext 5051 or

Email to: [parts@usstove.com](mailto:parts@usstove.com)

Key	Part #	Description	Qty
1	893011	Handle	1
2	86895	Handle Rod	1
3	AC09185	Roller Ball Kit	1
4	40586	Feed Door	1
5	83575	Hinge Pin (.370 DIA X 1.00)	2
6	892194	Bottom Glass Retainer	1
7	892195	Top Glass Retainer	1
8	893013	Door Glass	1
9	88082	Door Gasket	1



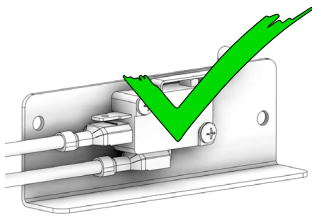
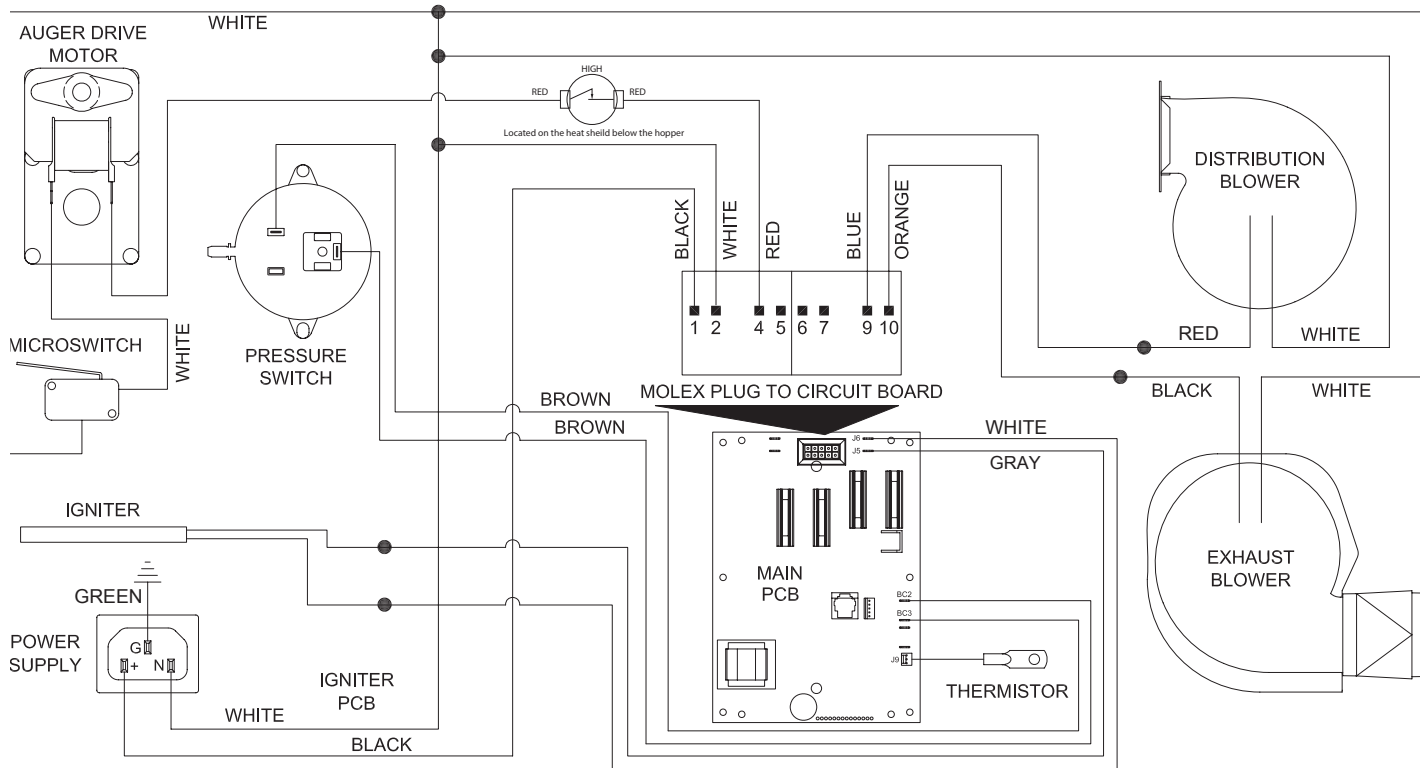
To order parts:

Call 1-800-750-2723 Ext 5051 or

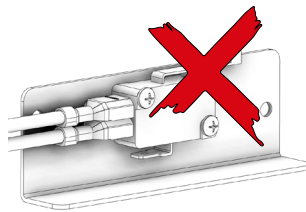
Email to: [parts@usstove.com](mailto:parts@usstove.com)

**IN ORDER TO MAINTAIN WARRANTY, COMPONENTS MUST BE REPLACED USING ASHLEY PARTS PURCHASED THROUGH YOUR DEALER OR DIRECTLY FROM ASHLEY. USE OF THIRD PARTY COMPONENTS WILL VOID THE WARRANTY.**

# WIRING DIAGRAM



**CORRECT**



**WRONG**

**Ensure the wires are connected to the bottom two prongs of the hopper switch as shown.**

## HOW TO ORDER REPAIR PARTS

**For Parts Assistance Call: 800-750-2723 Ext 5051 or Email: [parts@usstove.com](mailto:parts@usstove.com)**

The information in this owner's manual is specific to your unit. When ordering replacement parts the information in this manual will help to ensure the correct items are ordered. Before contacting customer service write down the model number and the serial number of this unit. That information can be found on the certification label attached to the back of the unit. Other information that may be needed would be the part number and part description of the item(s) in question. Part numbers and descriptions can be found in the "Repair Parts" section of this manual. Once this information has been gathered you can contact customer service by phone 1-800-750-2723 Ext 5051 or Email [parts@usstove.com](mailto:parts@usstove.com).

Model Information	
Model Number	
Serial Number	

It is recommended that your heating system is serviced regularly and that the appropriate Service Interval Record is completed.

## SERVICE PROVIDER

Before completing the appropriate Service Record below, please ensure you have carried out the service as described in the manufacturer's instructions. Always use the manufacturer's specified spare part when replacement is necessary.

**Service 01**                      Date: \_\_\_\_\_  
Engineer Name: \_\_\_\_\_  
License No.: \_\_\_\_\_  
Company: \_\_\_\_\_  
Telephone No.: \_\_\_\_\_  
Stove Inspected:     Chimney Swept:   
Items Replaced: \_\_\_\_\_

**Service 02**                      Date: \_\_\_\_\_  
Engineer Name: \_\_\_\_\_  
License No.: \_\_\_\_\_  
Company: \_\_\_\_\_  
Telephone No.: \_\_\_\_\_  
Stove Inspected:     Chimney Swept:   
Items Replaced: \_\_\_\_\_

**Service 03**                      Date: \_\_\_\_\_  
Engineer Name: \_\_\_\_\_  
License No.: \_\_\_\_\_  
Company: \_\_\_\_\_  
Telephone No.: \_\_\_\_\_  
Stove Inspected:     Chimney Swept:   
Items Replaced: \_\_\_\_\_

**Service 04**                      Date: \_\_\_\_\_  
Engineer Name: \_\_\_\_\_  
License No.: \_\_\_\_\_  
Company: \_\_\_\_\_  
Telephone No.: \_\_\_\_\_  
Stove Inspected:     Chimney Swept:   
Items Replaced: \_\_\_\_\_

**Service 05**                      Date: \_\_\_\_\_  
Engineer Name: \_\_\_\_\_  
License No.: \_\_\_\_\_  
Company: \_\_\_\_\_  
Telephone No.: \_\_\_\_\_  
Stove Inspected:     Chimney Swept:   
Items Replaced: \_\_\_\_\_

**Service 06**                      Date: \_\_\_\_\_  
Engineer Name: \_\_\_\_\_  
License No.: \_\_\_\_\_  
Company: \_\_\_\_\_  
Telephone No.: \_\_\_\_\_  
Stove Inspected:     Chimney Swept:   
Items Replaced: \_\_\_\_\_

**Service 07**                      Date: \_\_\_\_\_  
Engineer Name: \_\_\_\_\_  
License No.: \_\_\_\_\_  
Company: \_\_\_\_\_  
Telephone No.: \_\_\_\_\_  
Stove Inspected:     Chimney Swept:   
Items Replaced: \_\_\_\_\_

**Service 08**                      Date: \_\_\_\_\_  
Engineer Name: \_\_\_\_\_  
License No.: \_\_\_\_\_  
Company: \_\_\_\_\_  
Telephone No.: \_\_\_\_\_  
Stove Inspected:     Chimney Swept:   
Items Replaced: \_\_\_\_\_



Il est recommandé que votre système de chauffage est desservi régulièrement et que le Service Interval enregistré approprié est terminée.

**Fournisseur de services**

Avant de terminer l'enregistrement de service approprié ci-dessous, s'il vous plaît vous assurer que vous avez effectué le service tel que décrit dans les instructions du fabricant. Toujours utiliser pièce de rechange indiquée par le fabricant lors de remplacement est nécessaire.

<b>Service de 01</b> Date: _____ Nom de l'ingénieur: _____ N° de licence: _____ Compagnie: _____ N° de téléphone: _____ Poêle inspecté: <input type="checkbox"/> Cheminée balayée: <input type="checkbox"/> Articles Remplacés: _____	<b>Service de 02</b> Date: _____ Nom de l'ingénieur: _____ N° de licence: _____ Compagnie: _____ N° de téléphone: _____ Poêle inspecté: <input type="checkbox"/> Cheminée balayée: <input type="checkbox"/> Articles Remplacés: _____
--	--

<b>Service de 03</b> Date: _____ Nom de l'ingénieur: _____ N° de licence: _____ Compagnie: _____ N° de téléphone: _____ Poêle inspecté: <input type="checkbox"/> Cheminée balayée: <input type="checkbox"/> Articles Remplacés: _____	<b>Service de 04</b> Date: _____ Nom de l'ingénieur: _____ N° de licence: _____ Compagnie: _____ N° de téléphone: _____ Poêle inspecté: <input type="checkbox"/> Cheminée balayée: <input type="checkbox"/> Articles Remplacés: _____
--	--

<b>Service de 05</b> Date: _____ Nom de l'ingénieur: _____ N° de licence: _____ Compagnie: _____ N° de téléphone: _____ Poêle inspecté: <input type="checkbox"/> Cheminée balayée: <input type="checkbox"/> Articles Remplacés: _____	<b>Service de 06</b> Date: _____ Nom de l'ingénieur: _____ N° de licence: _____ Compagnie: _____ N° de téléphone: _____ Poêle inspecté: <input type="checkbox"/> Cheminée balayée: <input type="checkbox"/> Articles Remplacés: _____
--	--

<b>Service de 07</b> Date: _____ Nom de l'ingénieur: _____ N° de licence: _____ Compagnie: _____ N° de téléphone: _____ Poêle inspecté: <input type="checkbox"/> Cheminée balayée: <input type="checkbox"/> Articles Remplacés: _____	<b>Service de 08</b> Date: _____ Nom de l'ingénieur: _____ N° de licence: _____ Compagnie: _____ N° de téléphone: _____ Poêle inspecté: <input type="checkbox"/> Cheminée balayée: <input type="checkbox"/> Articles Remplacés: _____
--	--

Informations sur le modèle	
Numéro de modèle	
Numéro de série	

Les informations contenues dans ce manuel du propriétaire sont spécifiques à votre appareil. Lors de la commande de pièces de rechange, les informations contenues dans ce manuel vous aideront à vous assurer que les bons articles sont commandés. Avant de contacter le service client, notez le numéro de modèle et le numéro de série de cet appareil. Cette information se trouve sur l'étiquette de certification apposée à l'arrière de l'appareil. D'autres informations qui pourraient être nécessaires sont le numéro de pièce et la description de l'article en question. Les références et les descriptions se trouvent dans la section «Pièces de réparation» de ce manuel. Une fois ces informations recueillies, vous pouvez contacter le service client par téléphone au 1-800-750-2723, poste 5051 ou par e-mail à parts@usstove.com.

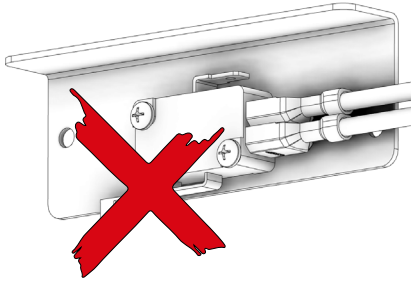
parts@usstove.com

Pour l'assistance sur les pièces, appelez le 800-750-2723, poste 5051 ou par courriel:

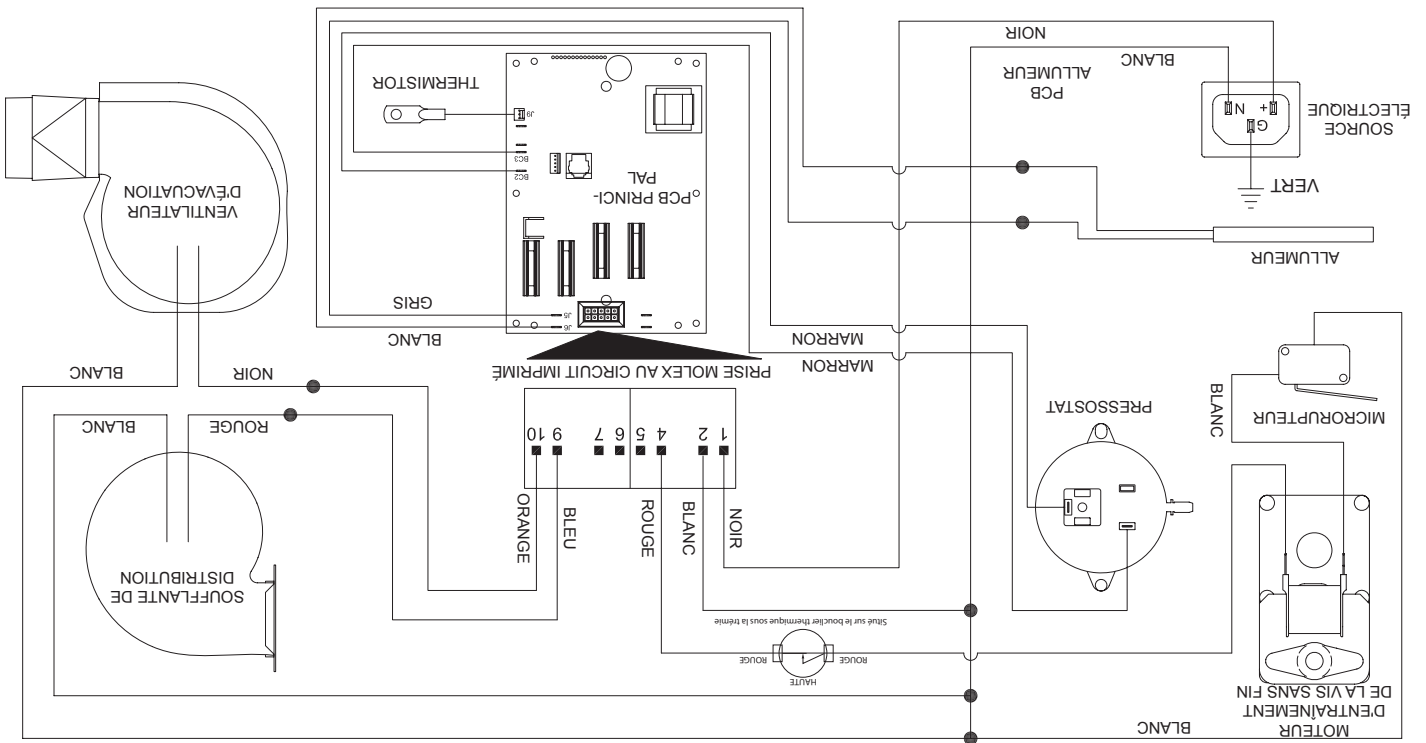
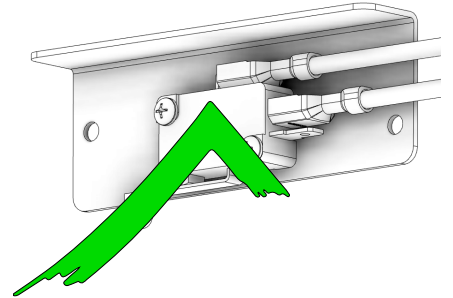
## COMMANDE DE PIÈCES DE RECHANGE

**ASSUREZ-VOUS QUE LES FILS SONT CONNECTÉS AUX DEUX BROCHES INFÉRIEURES DE L'INTERRUPTEUR DE LA TRÉMIE, COMME ILLUSTRÉ.**

FAUX



CORRECT



**PIECES DE RECHANGE**

Clé	Partie	La Description	Qté
1	28844	Foyer	1
2	28855	Doublure Gauche	1
3	28839	Doublure Centrale	1
4	69762	Pot De Combustion	1
5	28838	Doublure Droite	1
6	80798	Capteur IR	1
7	28603	Piédestal	1
8	610860	Côté Droit Du Cabinet	1
9	80778	Carte De Circuit Imprimé (4 Chiffres) Compatible Ir	1
10	28837	Côté Gauche De L'armoire	1
11	610861	Assemblage De La Plaque Supérieure	1
12	80491	Micro-Interrupteur	1
13	891148	Poignée En Plastique	1
14	80834	Ventilateur De Convection	1
15	80480	Thermistance	1
16	28873	Couvercle De La Goulotte	1
17	891132	Bague	2
18	893012	Tarîère	1

19	28846	Support De Moteur De Tarîère	1
20	80782	Ventilateur De Combustion	1
21	88308	Joint De Soufflante	1
22	80869	Ignitor Céramique	1
23	40867	Transition, Ventilateur	1
24	80781	Moteur De Tarîère	1
25	28845	Capot Moteur	1
26	28604	Panneau Arrière	1
27	28889	Support De Commutateur De Pression	1
28	80549	Interrupteur À Vide	1
29	80609	Thermodisque Haute Limite	1
30	80779	Thermostat Mural Numérique	1
31	80780	Ir À Distance	1
32	80462	Réceptacle À 3 Broches	1
33	80461	Cordon D'alimentation	1

Pour commander des pièces:

Appellez le 1-800-750-2723 Ext 5051 ou

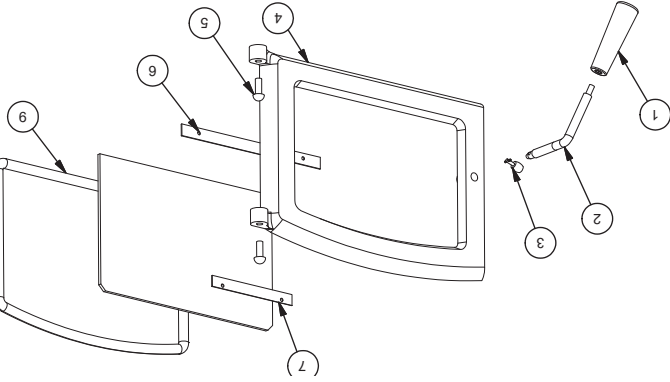
Envoyez un courriel à: parts@usstove.com

Clé	Partie	La Description	Qté
1	893011	Manipuler	1
2	86895	Tige De Poignée	1
3	AC09185	Kit Bille Roulante	1
4	40586	Porte D'alimentation	1
5	83575	Axe De Charnière (0,370 dia X 1,00)	2
6	892194	Support De Verre Inférieur	1
7	892195	Support De Verre Supérieur	1
8	893013	Porte Vitree	1
9	88082	Joint De Porte	1

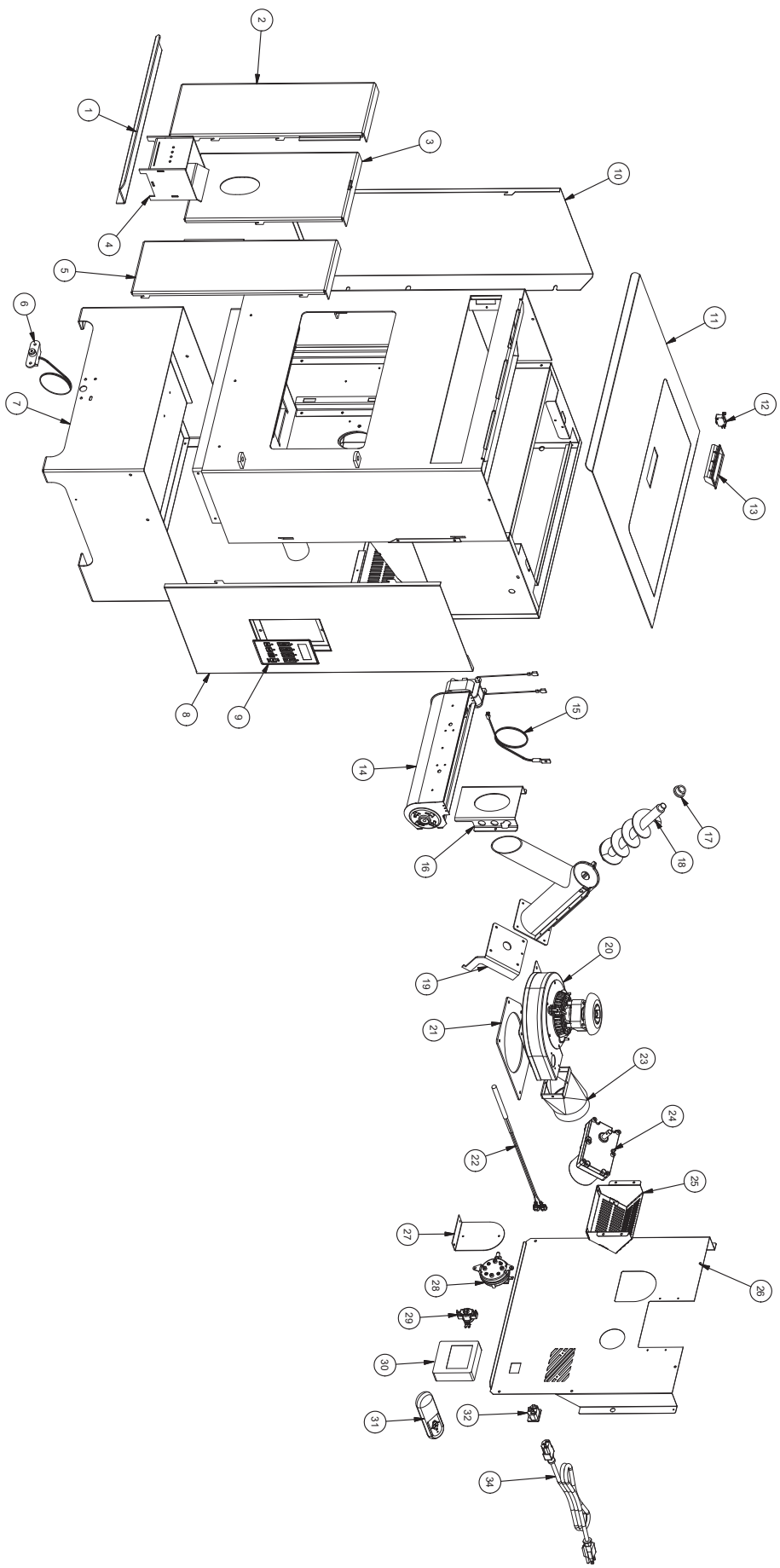
Pour commander des pièces:

Appellez le 1-800-750-2723 Ext 5051 ou

Envoyez un courriel à: parts@usstove.com



**AFIN DE MAINTENIR LA GARANTIE, LES COMPOSANTS DOIVENT ÊTRE REMPLACÉS PAR DES PIÈCES D'ORIGINE DU FABRICANT ACHETÉS AUPRÈS DE VOTRE REVENDUEUR OU DIRECTEMENT AUPRÈS DU FABRICANT DE L'APPAREIL. L'UTILISATION DE COMPOSANTS TIERS ANNULERA LA GARANTIE.**



Pour renvoyer les commandes à leurs réglages originaux d'usine, appuyez et maintenez enfoncés simultanément les bouton AUX UP et AUX DOWN pendant trois secondes.

## DÉFAUTS D'USINE

**Indicateur de réglage du niveau de chaleur (Heat Range) clignotant lentement (une fois par seconde):** Cela indique que le poêle est en condition de réduction, essayant d'éviter un arrêt dû à une température excessive.

**Indicateur de réglage du niveau de chaleur (Heat Range) clignotant rapidement (deux fois par seconde):** Cela indique que le poêle fonctionne normalement et qu'une condition de température excessive existe, provoquant l'arrêt du combustible.

**Indicateur «Aux» clignotant:** Cela indique que l'igniteur est en marche pendant la phase d'allumage.

**Indicateur du réglage du ventilateur de tirage («Draft Fan») clignotant:** Cela indique que le poêle fonctionne normalement et que le capteur de vide détecte une perte de pression due au fait que la porte soit ouverte ou en raison d'une pression négative dans la pièce par rapport à l'évacuation.

ventilateur de pièce est configuré manuellement.

Code d'erreur	Description de l'erreur	Causes possibles
Err1	Le capteur de limite élevée de température s'est déclenché.	Ventilation inadéquate. Panne du ventilateur de la pièce. Blocage de l'évacuation. Circuit électrique ouvert.
Err2	Le poêle est tombé à court de combustible pendant le fonctionnement normal.	Tremie vide. Panne ou blocage de la sortie de la vis sans fin. La flamme ou la qualité du combustible a entraîné un feu qui brûle trop lentement ou s'éteint. Circuit électrique ouvert.
Err3	Le poêle a été incapable d'atteindre la température de mise en marche du ventilateur de la pièce dans le délai de mise en route.	Panne de la sortie de la vis sans fin Tremie vide lors de la mise en marche.
Err4	Une panne d'alimentation électrique a eu lieu tandis que le poêle était chaud et lorsque l'alimentation a été restaurée, le feu était éteint.	Circuit électrique ouvert. Perte de puissance
Err5	Le fusible de sortie de la vis sans fin a sauté.	Moteur de la vis sans fin bloqué ou défectueux.
Err6	Le fusible de sortie de l'igniteur a sauté.	Igniteur court-circuité ou défectueux.
Err7	Le fusible de sortie du ventilateur de tirage (ventilateur d'évacuation) a sauté.	Moteur du ventilateur de tirage bloqué ou défectueux.
Err8	Le fusible de sortie du ventilateur de la pièce a sauté.	Moteur du ventilateur de la pièce bloqué ou défectueux.

Plusieurs situations ou événements sont indiqués lors du fonctionnement normal par le biais d'indicateurs d'affichage ou segments clignotant sur l'écran:

**Indicateur «On» clignotant:** Cela signifie que le poêle est dans l'état «Démarrage» en attendant la fin de la procédure d'allumage.

**Indicateur «Off» clignotant:** Cela indique que le poêle est en cours d'«extinction», en attendant que le bouton OFF soit pressé, ou pendant un délai de 15 minutes après que le poêle ait été éteint ou encore que le poêle refroidisse.

**Tiret clignotant sur l'affichage du niveau de chaleur (Heat Range):** Cela indique que le poêle est en mode de fonctionnement normal et qu'il se met en marche à partir du réglage du niveau de chaleur actuel jusqu'au réglage du niveau de chaleur indiqué. Une fois que le temps de mise en œuvre est terminé, le tiret s'arrête de clignoter. Pour la mise en marche du niveau de chaleur de 1 à 5, le délai par défaut est de 12 minutes (avec un délai de mise en œuvre de 90 secondes).

**Indicateur du mode Automatique («Automatique Mode») clignotant:** Ceci indique que le poêle fonctionne normalement et fonctionne en mode automatique. Toutefois, le réglage du ventilateur de tirage ou du

- Déconnectez le cordon d'alimentation avant d'effectuer tout travail d'entretien ; REMARQUE: Mettre l'interrupteur ON/OFF (marche/arrêt) sur "OFF" ne coupe pas l'alimentation des composants électriques du poêle.
- Ne tentez jamais de réparer ou de remplacer une pièce du poêle à moins que des instructions pour le faire ne soient fournies dans ce manuel. Tous les autres travaux devront être effectués par un technicien qualifié.

PROBLÈME	CAUSE: Pour enrichir le mélange air/combustible
Flamme faible, orange-dépot excessif de combustible dans le pot de combustion	Nettoyez le pot de combustion et le logement du pot de combustion Assurez-vous que la porte d'inspection soit fermée et scellée correctement. Si ce n'est pas le cas, réglez la fermeture joints de la porte. Vérifiez que tous les raccords externes ne présentent aucune obstruction. Vérifiez le système d'aspiration ; nettoyez-le si nécessaire.
PROBLÈME	CAUSE: Le pot de combustion brûle sans combustible
Le feu ou le poêle s'éteignent.	La trémie est vide, remplissez la trémie. Perte de pression de tirage. Assurez-vous que la porte d'inspection soit fermée et scellée correctement. Si ce n'est pas le cas, réglez la fermeture et/ou remplacez les joints de la porte. Vérifiez que tous les raccords externes ne présentent aucune obstruction. Vérifiez le système d'aspiration ; nettoyez-le si nécessaire. Vérifiez que le raccordement du pressostat au foyer ne contient aucune cendre ni obstruction. Le système à vis sans fin est bloqué ou il y a une « voute » de combustible dans la trémie, qui empêche le combustible de s'écouler dans le système d'approvisionnement à vis sans fin.
PROBLÈME	CAUSE: L'allumeur automatique n'allume pas le combustible dans le pot de combustion.
Le poêle ne démarre pas un feu quand le bouton « ON » (marche) est pressé	Mettez le poêle en position "OFF" (arrêt). Retirez le combustible non brûlé du pot de combustion et essayez de nouveau. Vérifiez la qualité des granulés. Remplacez-les s'ils sont mouillés, humides ou sales. Perte de pression de tirage. Assurez-vous que la porte d'inspection soit fermée et scellée correctement. Si ce n'est pas le cas, réglez la fermeture de la porte et/ou remplacez les joints de la porte. Vérifiez que tous les raccords externes ne présentent aucune obstruction. Vérifiez le système d'aspiration ; nettoyez-le si nécessaire. Vérifiez que l'allumeur est situé derrière le pot de combustion sur la paroi arrière du foyer.) Vérifiez que le raccordement du pressostat au foyer ne contient aucune cendre ni obstruction. L'allumeur automatique devient « rouge vif » lors du démarrage. Si vous ne pouvez pas observer le rougeoiement de l'allumeur pendant le démarrage, alors il se peut que l'allumeur doive être remplacé ou qu'il y ait un problème avec le système de contrôle électrique.
PROBLÈME	CAUSE: Panne de courant
Vivre une faible pression d'échappement	Éteignez la carte de circuit imprimé et rallumez-la.

**AVERTISSEMENT: N'ESSEYER PAS DE FAIRE FONCTIONNER LE NETTOYEUR DE TUBES DE L'ÉCHANGEUR THERMIQUE DURANT LE FONCTIONNEMENT OU LE REFOUILLAGE DU POÊLE À GRANULÉS, ATTENDEZ SON COMPÉT REFOUILLAGE AVANT DE COMMENCER CETTE PROCÉDURE DE NETTOYAGE.**



3. Aspirez les cendres de la chambre de combustion. ASSUREZ-VOUS QUE LES CENDRES SONT FROIDES AU TOUCHER AVANT D'ASPIRER. Certains aspirateurs peuvent laisser échapper des cendres dans la pièce. Votre aspirateur doit avoir un filtre ou un sac spécial pour éliminer les fuites.
4. Réinstallez le pot de combustion.

## FUMÉE ET CO MONITEURS

La combustion du bois produit naturellement le monoxyde de carbone (CO) et de la fumée. CO est un gaz toxique lorsqu'il est exposé à des concentrations élevées pendant des périodes de temps prolongées. Alors que les systèmes de combustion modernes réchauffeurs réduisent considérablement la quantité de CO émise par la cheminée, l'exposition aux gaz dans des zones fermées ou confinées peut être dangereuse. Assurez-vous que vous les joints du poêle et les joints de cheminée sont en bon état de fonctionnement et d'étanchéité correctement pour assurer une exposition involontaire. Il est recommandé d'utiliser les deux écrans de fumée et de CO dans les zones ayant le potentiel de générer CO.

## VÉRIFICATION ET NETTOYAGE DE LA TRÉMIE

Vérifiez périodiquement la trémie pour déterminer si de la sciure (des fines) s'est accumulée dans le système d'alimentation ou si des granulés sont restés collés à la surface de la trémie. Nettoyez-les si nécessaire.

## JOINTS DE PORTE ET DE VITRE

Inspecter régulièrement les principales portes et fenêtres en verre joints. La porte principale peut avoir besoin d'être enlevé pour avoir des joints effilochés, brisés ou compactés remplacés par votre revendeur agréé. La porte de cet appareil utilise un joint 3/4 po corde de diamètre.

## MOTEURS DES VENTILATEURS

Nettoyez tous les ans les orifices d'aération des moteurs des ventilateurs d'évacuation et de distribution. Retirez le ventilateur d'évacuation du conduit d'évacuation et nettoyez ses pales dans le cadre des opérations de mise en marche en automne.

## PEINTURE DE SURFACE

Les surfaces peintes peuvent être essuyées avec un chiffon humide. Si des rayures apparaissent, ou si vous souhaitez rénover la peinture, adressez-vous au revendeur agréé qui vous fournira un bidon de peinture à haute température adaptée.

## VERRE

Nous vous recommandons d'utiliser un nettoyeur pour vitres de haute qualité. Si une accumulation de crasse ou de carbone s'accumule, vous pouvez utiliser de la laine

## ARRÊT AU PRINTemps

Après la dernière flamme du printemps, retirez tous les granulés restants de la trémie et du système d'alimentation à tarrière. Enlevez tout d'abord les granulés avec une pelle, puis faites fonctionner la tarrière jusqu'à ce que la trémie soit vide et que les granulés cessent de couler (il suffit pour cela d'appuyer sur l'interrupteur ON en gardant la porte d'observation ouverte). Passez l'aspirateur dans la trémie. Nettoyez soigneusement le pot de combustion et la chambre de combustion. Si le poêle est dans un endroit humide, il peut être souhaitable de pulvériser du silicone en aérosol à l'intérieur de la trémie nettoyée. Le système d'évacuation doit être soigneusement nettoyé.

## MISE EN MARCHÉ À L'AUTOMNE

Avant de démarrer le premier feu de la saison de chauffage, vérifiez que la zone à l'extérieur des systèmes d'évacuation et d'admission d'air ne soit pas obstruée. Nettoyez et retirez les cendres volantes du système d'évacuation. Nettoyez tous les filtres du système d'évacuation et du tuyau d'entrée d'air extérieur. Activez toutes les commandes et vérifiez qu'elles fonctionnent correctement. C'est aussi le bon moment pour nettoyer à fond la totalité du poêle.

1. Une fois le radiateur refroidi, retirez la porte du radiateur.
2. Retirez le joint de corde de la porte, puis les écrous retenant le dispositif de retenue du verre en place.
3. Tout en portant des gants, retirez soigneusement les morceaux de verre détachés du cadre de la porte.
4. Remplacez la vitre et le joint en vous assurant que le joint parcourt tout le périmètre du bord du verre.
5. Réinstaller le dispositif de retenue et les huit écrous et le joint de corde à l'aide de silicone haute température pour faire adhérer le joint à la porte.
6. N'utilisez jamais de matériaux de substitution pour le verre.

d'acier et de l'eau pour nettoyer le verre. N'UTILISEZ PAS de nettoyeurs abrasifs. N'effectuez PAS le nettoyage lorsque la vitre est CHAUDE. N'essayez pas de faire fonctionner l'appareil avec du verre brisé. Le verre de remplacement peut être acheté auprès de votre revendeur américain Stove. Si le verre est brisé, suivez ces procédures de retrait:



Retirez les cendres périodiquement pour éviter l'accumulation inutile de cendres. Retirez les cendres dans un récipient en métal avec un couvercle hermétique. Le contenant fermé de cendres doit être placé sur un sol combustible ou sur le sol, bien éloigné de tout matériau combustible, en attendant l'élimination finale. Si les cendres sont éliminées par enfouissement dans le sol ou autrement dispersées localement, elles doivent être conservées dans le récipient fermé jusqu'à ce que toutes les braises aient été complètement refroidies. Le conteneur ne doit pas être utilisé pour d'autres déchets ou l'élimination des déchets. S'ils sont combinés avec des substances combustibles, les cendres et les braises peuvent s'enflammer. L'élimination des cendres est la suivante:

1. Laissez le feu s'éteindre et laissez l'appareil refroidir à température ambiante.
2. Assurez-vous que le poêle à granulés est à température ambiante avant de le toucher. Ouvrez la porte, retirez le pot de combustion et videz-le dans un récipient en métal.

**AVERTISSEMENT:**  
**LAISSEZ LE POÊLE REFOIDIR AVANT D'EFFECTUER TOUT ENTRETIEN OU NETTOYAGE. LES CENDRES DOIVENT ÊTRE ÉVACUÉES DANS UN RÉCIPENT MÉTALLIQUE DOTÉ D'UN COUVERCLE HERMÉTIQUE. LE RÉCIPENT À CENDRES FERMÉ DOIT ÊTRE DÉPOSÉ SUR UNE SURFACE NON COMBUSTIBLE OU SUR LE SOL, BIEN À L'ÉCART DE TOUTE MATIÈRE COMBUSTIBLE, AVANT L'ÉLIMINATION DÉFINITIVE.**

## CENDRES ENLÈVEMENT ET ÉLIMINATION DES CENDRES

Elles s'accumulent dans la portion horizontale du conduit d'évacuation. Bien qu'elles ne soient pas combustibles, elles peuvent gêner le flux normal d'évacuation. Elles doivent donc être périodiquement éliminées.

### CENDRES VOLANTES

à accumuler les dépôts de créosote plus rapidement; il est donc important de vérifier la cheminée par le haut ainsi que par le bas. La créosote doit être éliminée avec une brosse spécialement conçue pour le type de cheminée utilisé. Un ramonneur qualifié peut fournir ce service. Il est également conseillé d'inspecter, de nettoyer et si nécessaire de réparer la totalité du système avant chaque saison de chauffage. Pour nettoyer la cheminée, déconnecter l'évacuation du poêle.

## NE JAMAIS UTILISER CE PRODUIT SANS SURVEILLANCE

Lorsque le bois brûle lentement, il produit du goudron et d'autres vapeurs organiques qui se combinent avec l'humidité rejetée pour former la créosote. Les vapeurs de créosote se condensent dans un conduit de cheminée relativement froid ou si le feu vient de démarrer ou brûle lentement. Ainsi, les résidus de créosote s'accumulent sur le boisseau. Si elle prend feu, cette créosote produit un feu extrêmement chaud qui peut endommager la cheminée, voire détruire la maison. En dépit de leur grande efficacité, les poêles à granulés peuvent accumuler de la créosote dans certaines conditions. Le raccord et le conduit de cheminée doivent être inspectés par une personne qualifiée une fois par an ou par tone de granulés pour déterminer si une accumulation de créosote s'est accumulée, elle doit être enlevée pour réduire le risque de feu de cheminée. Inspectez le système au niveau du raccord avec le poêle et en haut de la cheminée. Les surfaces plus froides ont tendance

**LE SYSTÈME D'ÉCHAPPEMENT DOIT ÊTRE VÉRIFIÉ MENSUEL PENDANT LA SAISON DE BRÛLURE POUR TOUT ACCUMULATION DE SUIE OU DE CRÉOSOTE.**

**MISE EN GARDE:**

## FORMATION, INSPECTION ET ÉLIMINATION DE LA CRÉOSOTE

**AVERTISSEMENT:**

- LE DÉFAUT DE NETTOYAGE ET D'ENTRETIEN DE CET APPAREIL COMME INDiqué PEUT ENTRAÎNER UNE BAISSÉ DES PERFORMANCES ET UN RISQUE POUR LA SÉCURITÉ.
- DÉBRANCHEZ LE CORDON ÉLECTRIQUE DU POÊLE AVANT DE RETIRER LE PANNEAU ARRIÈRE OU D'OUVRIr LE SYSTÈME D'ÉVACUATION POUR TOUTE TÂCHE D'INSPECTION, DE NETTOYAGE OU D'ENTRETIEN.
- NE PROCÉDEZ JAMAIS À L'INSPECTION, AU NETTOYAGE OU À L'ENTRETIEN SUR UN POÊLE CHAUD.
- N'UTILISEZ PAS LE POÊLE SI LA VITRE EST CASSÉE, IL POURRAIT EN RÉSULTER UNE FUITÉ DE GAZ DE COMBUSTION.
- LES TENTATIVES D'OBTENIR DES TAUX DE SORTIE DE CHALEUR QUI DÉPASSENT LES SPÉCIFICATIONS DE CONCEPTION DU CHAUFFAGE PEUVENT CAUSER DES DOMMAGES PERMANENTS AU CHAUFFAGE.

**AVERTISSEMENT:**

<b>AVERTISSEMENT:</b>
<ul style="list-style-type: none"> <li>• <b>LA TRÉMIE ET LE COUVERCLE DU POÊLE SONT CHAUDS PENDANT LE FONCTIONNEMENT ; VOUS DEVEZ TOUJOURS PROTÉGER VOS MAINS LORS DU REMPLISSAGE DU POÊLE.</b></li> <li>• <b>NE TOUCHEZ PAS AUX SURFACES CHAUDES DU POÊLE. ENSEIGNEZ AUX ENFANTS LES DANGERS DES POÊLES À HAUTE TEMPÉRATURE. LES JEUNES ENFANTS DOIVENT ÊTRE SURVEILLÉS LORSQU'ILS SE TROUVENT DANS LA MÊME PIÈCE QUE LE POÊLE.</b></li> <li>• <b>NE PLACEZ JAMAIS VOTRE MAIN PRÈS DE LA TARIÈRE LORSQUE LE POÊLE EST EN MARCHÉ. NOUS VOUS RECOMMANDONS DE NE PAS LAISSER LA TRÉMIE TOMBER EN DESSOUS DU 1/4 PLEIN.</b></li> </ul>

## AVERTISSEMENT DE SABOTAGE

Ce poêle à bois a un taux de combustion faible minimum, défini par le fabricant, qui ne doit pas être modifié. Il est contraire à la réglementation fédérale de modifier ce paramètre ou d'utiliser ce radiateur à bois d'une manière non conforme aux instructions d'utilisation de ce manuel.

## PROCÉDURE D'ARRÊT

### AVERTISSEMENT:

**NE JAMAIS ARRÊTER CET APPAREIL EN LE DÉBRANCHANT DE LA SOURCE D'ALIMENTATION.**

Pour arrêter le poêle, il suffit d'appuyer sur la touche « POWER » du tableau d'affichage. Le témoin vert repasse au rouge lorsqu'on appuie sur la touche « POWER ». Le moteur de la tarière s'arrête et les ventilateurs continuent de fonctionner jusqu'à ce que la température de la chambre de combustion interne ait baissé jusqu'à un niveau prédéfini.

1. Ce poêle est équipé d'un thermostat haute température. Cet appareil comporte un thermostatique à réarmement manuel. Cet interrupteur de sécurité a deux fonctions.

A. Détecter une surchauffe du poêle et arrêter le système d'alimentation en combustible ou la tarière.

B. En cas de dysfonctionnement du ventilateur de convection, le thermostatique haute température arrête automatiquement la tarière, ce qui prévient une surchauffe du poêle.

REMARQUE: Sur certains appareils, une fois le bouton de réinitialisation déclenché, comme un disjoncteur, il faut appuyer dessus pour redémarrer le poêle. Sur d'autres appareils, le thermostatique ne comporte pas de bouton de réinitialisation et se réinitialise lorsque le poêle a

refroidi. Le fabricant vous recommande de vous adresser au revendeur si cela se produit car cela peut indiquer un problème plus grave. Il peut s'avérer nécessaire d'appeler le service de réparation.

2. En cas de défaillance du ventilateur de combustion, un interrupteur pneumatique interrompt automatiquement la tarière.

REMARQUE: L'ouverture de la porte du poêle pendant plus de 30 secondes pendant le fonctionnement provoque un changement de pression suffisant pour activer l'interrupteur pneumatique qui arrête l'alimentation en combustible. Le poêle s'éteint et la mention « E2 » s'affiche sur l'écran à deux chiffres. Le poêle doit s'arrêter complètement avant de pouvoir être redémarré.

## CHAMBRES INTÉRIEURES

• **Pot de combustion** - Retirez et nettoyez périodiquement le pot de combustion et la zone à l'intérieur du boîtier du pot de combustion. En particulier, il est conseillé de nettoyer les trous du pot de combustion pour éliminer toute accumulation qui pourrait empêcher l'air de circuler librement dans le pot de combustion.

Au fil du temps, de la cendre ou de la poussière peuvent s'accumuler sur les pales des ventilateurs de circulation et d'extraction. Les ventilateurs doivent être inspectés périodiquement et, en cas d'accumulation, les nettoyer à l'aspirateur car les cendres ou la poussière peuvent nuire aux performances des ventilateurs. Il est également possible que la créosote puisse s'accumuler dans le ventilateur d'extraction, il doit donc être nettoyé à la brosse. Le ventilateur d'extraction se trouve derrière le panneau latéral gauche (face à l'avant du radiateur), le ventilateur de circulation se trouve derrière le panneau latéral droit. Pour accéder à l'allumeur, retirez le tube d'entrée d'air et le couvercle (2 vis). Le moteur de la vis sans fin est situé au centre arrière de l'unité. Remarque: lors du nettoyage, veillez à ne pas endommager les pales du ventilateur.

## NE PAS ASPIRER LES CENDRES CHAUDES.

3. Ajustez la vitesse d'alimentation au réglage souhaité en appuyant sur le bouton «Avance du niveau de chaleur».

Si le feu ne démarre pas dans 12 minutes, appuyez sur «Marche / Arrêt», attendez quelques minutes, dégagez le pot de combustion et recommencez la procédure.

### OUVERTURE DE LA PORTE

Si la porte est ouverte pendant le fonctionnement du poêle, elle doit être refermée dans les 30 secondes, sinon le poêle s'éteint. Si le poêle s'éteint, appuyez sur l'interrupteur ON/OFF pour le redémarrer. Le poêle doit être complètement arrêté et débranché avant de pouvoir être redémarré.

- NE FAITES PAS FONCTIONNER VOTRE POÊLE AVEC LA PORTE VUE OUVERTE. LA TARIÈRE N'ALIMENTERA PAS DE GRANULÉS DANS CES CIRCONSTANCES ET UN PROBLÈME DE SÉCURITÉ PEUT PROVOQUER DES ÉTINCELLES OU DES FUMÉES ENTRANT DANS LA PIÈCE.
- LA PORTE DOIT ÊTRE FERMÉE ET SCELLÉE PENDANT LE FONCTIONNEMENT.

#### AVERTISSEMENT:

### VENTILATEUR DE LA PIÈCE

Lors du démarrage du poêle, le ventilateur de la pièce ne se met pas en marche tant que l'échangeur thermique du poêle n'est pas chaud. Cela prend habituellement environ 10 minutes après le démarrage.

### SI LE POÊLE MANQUE DE GRANULÉS

Le feu s'éteint; le moteur de la tarière et les ventilateurs restent en fonctionnement jusqu'à ce que le poêle ait refroidi. Cela peut prendre 30 minutes ou plus, en fonction de la chaleur résiduelle dans l'appareil. Après l'arrêt des composants du poêle, tous les témoins de l'écran s'éteignent et l'écran à deux chiffres affiche « E3 » en clignotant.

### RECHARGE EN COMBUSTIBLE

- GARDEZ LE COUVERCLE DE LA TRÉMIE FERMÉ À TOUT MOMENT, SAUF PENDANT LE REMPLISSAGE.
- NE REMPLISSEZ PAS TROP LA TRÉMIE.

#### AVERTISSEMENT:

### VÉRIFICATION AVANT LA MISE EN MARCHÉ

Retirez le pot de combustion, vérifiez qu'il soit propre et qu'aucun des orifices d'air ne soit bouché. Nettoyez la chambre de combustion puis réinstallez le pot de combustion. Nettoyez la vitre de la porte si nécessaire (un chiffon sec ou une serviette en papier suffit généralement). N'utilisez jamais de produits nettoyants abrasifs sur la vitre ou la porte. Vérifiez le combustible dans la trémie, et remplissez-la si nécessaire.

### CONSTRUIRE UN FEU

N'utilisez jamais de grille ou autre moyen de supporter le carburant. Utilisez uniquement le pot de combustion fourni avec ce radiateur. Le couvercle de la trémie doit être fermé pour que l'unité puisse alimenter des granulés. Pendant la période de démarrage:

- Assurez-vous que le pot de combustion ne contient pas de granulés.
- N'ouvrez PAS la porte de visualisation.
- Il se peut que le registre doit être fermé pendant le démarrage.
- N'ajoutez PAS de granulés dans le pot de combustion à la main.

REMARQUE: Au cours des premiers incendies, votre poêle émettra une odeur lorsque la peinture à haute température durcit ou deviendra assaisonnée au métal. Le maintien de petits incendies minimisera cela. Évitez de placer des articles sur la cuisinière pendant cette période car la peinture pourrait être affectée. Les tentatives pour atteindre des débits de chaleur dépassant les spécifications de conception du réchauffeur peuvent entraîner des dommages permanents au réchauffeur.

### IGNITEUR

1. Remplissez la trémie et nettoyez le pot de combustion.
2. Appuyez sur le bouton «Marche / Arrêt». Assurez-vous que le voyant vert s'allume.

**AVERTISSEMENT:**

**L'APPAREIL EST CONÇU POUR ÊTRE UTILISÉ AVEC DU COMBUSTIBLE EN GRANULÉS CONFORME À OU EXCÉDANT LA NORME ÉTABLIE PAR LE PELLETS FUEL INSTITUTE (PFI). L'UTILISATION D'AUTRES COMBUSTIBLES ANNULE LA GARANTIE.**

**CARBURANT APPROPRIÉ**

Cet appareil est conçu pour brûler uniquement PFI pellets Premium qualité. NE PAS BRÛLER:

1. Des déchets;
2. Coupures de gazon ou les déchets de jardin;
3. Les matériaux contenant du caoutchouc, y compris les pneumatiques;
4. Les matériaux contenant de plastique;
5. Produits pétroliers des déchets, des peintures ou des diluants de peinture ou de produits d'asphalte;
6. Les matériaux contenant de l'amiante;
7. Les débris de construction ou de démolition;
8. Liens ou de bois traité sous pression Railroad;
9. Fumier ou restes d'animaux;
10. Sel de bois flotté de l'eau ou d'autres matériaux préalablement eau salée saturés;
11. Bois de; ou
12. Les produits de papier, de carton, de contreplaqué ou de particules. L'interdiction de la combustion de ces matériaux n'interdit pas l'utilisation des démarrureurs de feu fabriqués à partir de papier, de carton, de sciure, de cire et substances similaires dans le but de déclencher un incendie dans un poêle à bois affecté.

Brûler ces matériaux peut entraîner la libération de fumées toxiques ou de rendre l'appareil de chauffage de la fumée inefficace et cause.

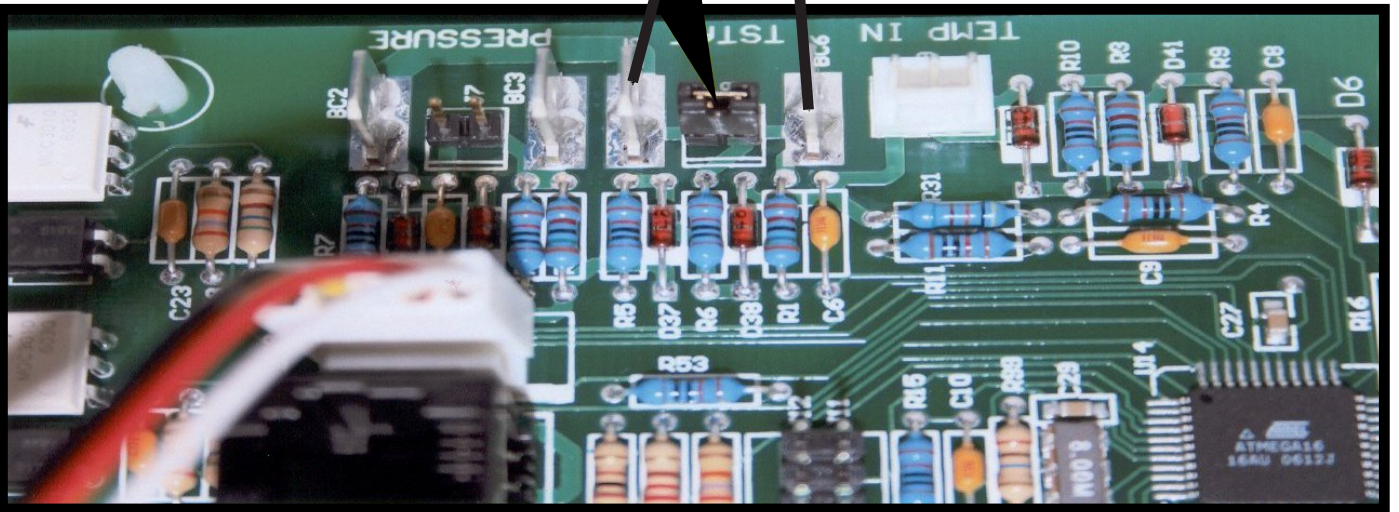
**AVERTISSEMENT:**

- **N'UTILISEZ PAS DE PRODUITS CHIMIQUES OU DE FLUIDES POUR ALLUMER LE FEU - N'UTILISEZ JAMAIS D'ESSENCE, DE COMBUSTIBLE POUR LANTERNE DE TYPE ESSENCE, DE KÉROÛSENE, DE LIQUIDE À BRIQUET À CHARBON OU DE LIQUIDES SIMILAIRES POUR ALLUMER OU «RAFFRAÎCHIR» UN FEU DANS CE POÊLE. GARDEZ TOUS CES LIQUIDES ÉLOIGNÉS DU POÊLE PENDANT SON UTILISATION.**
- **CHAUD EN FONCTIONNEMENT. TENIR LES ENFANTS, LES VÊTEMENTS ET LES MEUBLES À L'ÉCART. LE CONTACT PEUT CAUSER DES BRÛLURES DE LA PEAU.**

Votre poêle à granulés est conçu pour brûler des granulés de bois dur de qualité supérieure conformes à la norme PFI (Pellet Fuels Institute) (densité minimale de 40 lb par pied cube, diamètre de 1/4 à 5/16 moins de 8 200 BTU / lb, humidité inférieure à 8% en poids, cendres inférieure à 1% en poids et sel inférieure à 300 parties par million). Les granulés mous, contenant une quantité excessive de sciure de bois en vrac, qui ont été ou sont mouillés, réduiront les performances. Rangez vos pellets dans un endroit sec. NE STOCKEZ PAS le carburant dans les dégagements d'installation de l'appareil ou dans l'espace requis pour faire le plein et enlever les cendres. Cela pourrait provoquer un incendie. Ne pas trop brûler ou utiliser des combustibles volatiles ou des combustibles, cela pourrait causer des dommages aux personnes et à la propriété. Cet appareil n'est homologué que pour brûler du carburant sous forme de granulés de bois ; Les granulés approuvés mesurent 1/4 po. Ou 5/16 po. De diamètre et pas plus de 1 po. De long. Les granulés plus longs ou plus épais peuvent bloquer les ailettes de la tarrière, ce qui empêche une bonne alimentation en granulés. Il est interdit de brûler du bois sous d'autres formes que des granulés. Il s'agit d'une violation des codes du bâtiment pour lesquels le poêle a été approuvé, et cela annulerait toutes les garanties. La conception du poêle intègre l'alimentation automatique des granulés dans le feu selon un rythme soigneusement calculé. Un autre combustible introduit à la main n'augmenterait pas la production de chaleur, mais pourrait nuire gravement aux performances du poêle en générant beaucoup de fumée. Ne brûlez pas de granulés mouillés. Les performances du poêle dépendent fortement de la qualité des granulés. Évitez les marques de granulés qui présentent les caractéristiques suivantes :

- Un excès de fines – Le terme « fines » décrit les granulés écrasés ou les matériaux libres qui ressemblent à de la sciure ou à du sable. Il est possible de tamiser les granulés avant de les placer dans la trémie pour éliminer la plupart des fines.
- Des liants – Certains granulés sont produits avec des matériaux liants qui les agglutinent, les « lient ».
- Un contenu élevé en cendres – Ces granulés de mauvaise qualité créent souvent de la fumée et salissent la vitre. L'entretien devra être plus fréquent. Il faudra vider le pot de combustion et aspirer la totalité du système plus fréquemment. Des granulés de mauvaise qualité pourraient endommager la tarrière. Nous ne pouvons accepter aucune responsabilité en cas de dommages dus à des granulés de mauvaise qualité.

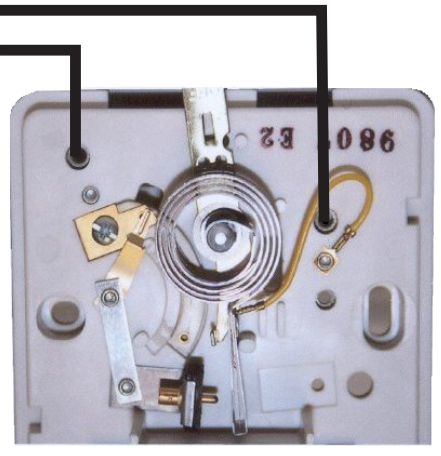
RACCORDEMENT DU THERMOSTAT



Le cavalier doit être enlevé en premier

1. Placez les bornes femelles sur les fils conducteurs de votre thermostat basse tension.
2. Branchez un fil de thermostat sur chacun des bornes du circuit imprimé.

**REMARQUE IMPORTANTE:** L'objet du T'Stat est de faire en sorte que le poêle se programme entre le réglage présélectionné de la plage de chaleur désirée («1» à «5») et le réglage de la plage de chaleur minimale de «1». **Le T'Stat n'allumera ni ne éteindra le poêle.** Lorsque la température ambiante souhaitée est atteinte et que le T'Stat n'a plus besoin de chaleur, le réglage de la plage de chauffage minimale est défini sur «1». **L'unité ne s'éteindra pas complètement.** Une fois que la température ambiante a baissé et que le T'Stat a besoin de plus de chaleur, l'appareil commencera à alimenter les granulés avec le réglage de chaleur présélectionné allant de «1» à «5».



Utilisez un fil de calibre 18, 2 conducteurs

- Après avoir appuyé sur "Power", le moteur de la vis est activé pendant 3,5 minutes, éteint pendant 1 minute. Pendant le reste de la période de démarrage, le moteur de la vis sans fin fonctionne sur le réglage "1" de la plage de chaleur.

- Pendant le démarrage, l'avance du niveau de chaleur (touches Haut et Bas) modifie le niveau de l'indicateur de plage de chaleur en conséquence, mais il n'y a aucun changement dans les conditions de fonctionnement du poêle avant la fin du démarrage.

- Lors de la mise en marche, l'allumage doit avoir lieu dans les 12 minutes ou le poêle émettra une erreur et affichera E3.
- Pendant la phase de démarrage, la touche Mode ne fonctionne pas.

## B. Gamme De Chaleur Boutons De Fleche

- Ces boutons, une fois poussés, permettent de régler le débit d'alimentation en granulés, d'où la puissance calorifique ou la plage de chaleur de votre poêle. Lors de l'utilisation de la télécommande manuelle, cette fonction peut être effectuée avec les touches "Haut / Bas".
- Les niveaux de sortie de chaleur changent de manière incrémentielle sur le diagramme à barres en commençant par la plage de chaleur "1" jusqu'à la plage de chaleur "5".

## Vue D'Ensemble Du Panneau De Contrôle

La mise en marche / arrêt du chauffage, ainsi que les réglages du débit d'alimentation en carburant et de la vitesse du ventilateur de la pièce sont effectués en appuyant sur le (s) bouton (s) approprié (s) sur le panneau de commande situé sur le côté inférieur gauche de votre appareil de chauffage.

### • ON/OFF

Appuyer sur le bouton «ON» du panneau de contrôle démarrera la séquence de mise en marche du système de chauffage. Le combustible commencera à être alimenté grâce au système d'approvisionnement à vis sans fin puis s'allumera après environ 5 minutes.

Appuyer sur le bouton «OFF» du panneau de contrôle fera entrer le système de chauffage dans sa séquence d'arrêt. Le système d'approvisionnement du combustible arrêtera d'amener du combustible à partir de la vis sans fin et, une fois que le feu sera éteint et le système de chauffage refroidi, les ventilateurs s'arrêteront de fonctionner.

### • DEGRÉ DE CHALEUR

Appuyer sur les flèches vers le haut et vers le bas «Heat Range» (Niveau de chaleur) permet de régler la quantité

de combustible qui est approvisionnée au pot de combustion.

### • VENTILATEUR DE TIRAGE

Le ventilateur de tirage (évacuation) s'allumera dès que le bouton «ON» sera pressé. Le ventilateur réglera automatiquement sa vitesse conformément au réglage du niveau de chaleur. Cependant, cette vitesse peut être réglée manuellement en appuyant sur les flèches haut et bas du ventilateur de tirage (Draft Fan). Lorsque le bouton «Draft Fan» (ventilateur de tirage) est appuyé, l'affichage indiquera «DF-A», qui est automatique. Appuyez de nouveau sur les flèches pour régler la vitesse du ventilateur. Quand le système de chauffage est en mode manuel, le thermostat en option ne contrôlera pas correctement l'unité. Lorsque vous ajustez le réglage du ventilateur de tirage, essayez seulement 1 réglage au-dessus ou en dessous du réglage de chaleur. Il est préférable de laisser le poêle en mode automatique.

### • VENTILATEUR DE LA PIÈCE

Le ventilateur de la pièce s'allumera une fois que l'unité aura atteint la température de fonctionnement. En appuyant sur les boutons «Room Fan» du ventilateur de la pièce, l'affichage indiquera «RF-A», ce qui correspond à automatique ou «RF-1» à «RF-9» pour les réglages manuels. En mode auto, la vitesse du ventilateur de la pièce sera automatiquement réglée conformément au réglage du niveau de chaleur. En appuyant sur les flèches haut et bas «Room Fan» du ventilateur de la pièce, vous pouvez régler le réglage de la vitesse du ventilateur jusqu'à «RF-9». Le ventilateur de la pièce doit fonctionner à un niveau supérieur ou égal au réglage du niveau de chaleur.

### • AUX - UTILISÉ POUR RÉINITIALISER LE POÊLE AUX RÉGLAGES D'USINE

Pour réinitialiser le poêle à ses réglages originaux d'usine, appuyez et maintenez enfoncés simultanément les boutons AUX UP et AUX DOWN pendant 3 secondes.

### • RETARDEMENT DE LA VIS SANS FIN

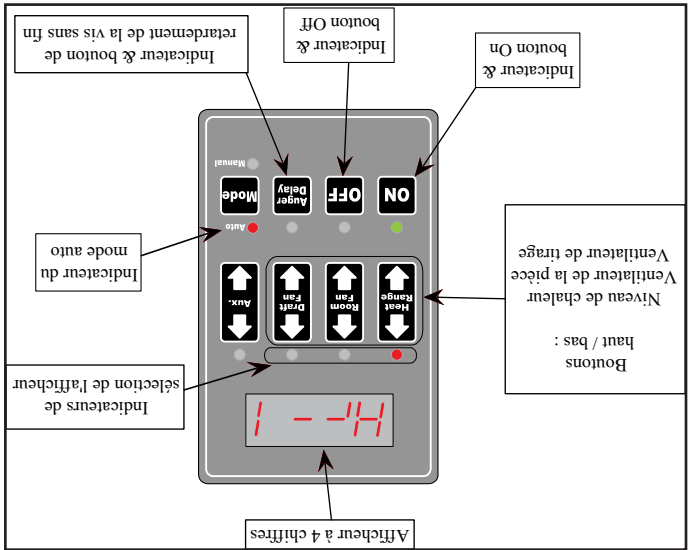
Le bouton «Auger Delay» peut être utilisé pour mettre en pause la rotation de la vis sans fin pendant environ 1 minute. Cela peut être annulé en appuyant sur le bouton «ON». Le «Retardement de la vis sans fin» est normalement utilisé pendant le cycle de mise en route pour ralentir l'approvisionnement en combustible pendant l'allumage initial.

### • MODE

Le bouton «Mode» n'est pas utilisé sur ce modèle. Pendant le fonctionnement normal, l'unité est constamment surveillée pour les problèmes. En cas d'erreur, l'unité s'arrêtera et une erreur s'affichera. Consultez la liste des codes d'erreur à la fin de ce manuel.

NE JAMAIS UTILISER CE PRODUIT SANS SURVEILLANCE

COMMENT FONCTIONNE VOTRE POËLE



Votre poêle à granulés utilise un système d'alimentation du combustible à vis sans fin inclinée qui est commandé par un circuit imprimé numérique contrôlé par microprocesseur. Le circuit imprimé numérique permet au système d'alimentation du combustible à vis sans fin inclinée de fonctionner dans un cycle non continu à minute ; ces cycles permettent à la vis sans fin de fonctionner durant une période prédéterminée de secondes. La vis sans fin pousse les granulés au-dessus d'un conduit situé devant/en bas de la trémie qui, elle, tombe à travers un autre conduit dans le pot de combustion. Votre poêle est équipé d'un système d'allumage automatique qui devra allumer le combustible dans un délai de 5 à 10 minutes en appuyant sur le bouton ON (Marche). Quand les granulés entrent dans le pot de combustion et s'allument, l'air extérieur est entraîné en direction du combustible et chauffé pendant le processus de combustion puis est aspiré à travers l'échangeur de chaleur par un moteur d'évacuation ou un ventilateur. Quand le poêle chauffe, l'air ambiant circule autour de l'échangeur de chaleur grâce à un ventilateur d'air ambiant, répartissant l'air chaud dans la pièce. La quantité de chaleur produite par le poêle est proportionnelle au taux de combustible qui est brûlé, et ce taux est contrôlé par le réglage du « Degré De Chaleur ». Afin de conserver une combustion du combustible au taux souhaité, l'air fourni à la chambre de combustion par le ventilateur d'évacuation ou de tirage doit être maintenu de façon précise. Pas assez d'air provoquera une flamme peu énergétique ou faible. Si le combustible continue d'être approvisionné avec trop peu d'air pendant une durée suffisante, le pot de combustion se remplira avec trop de combustible et le feu s'éteindra. Trop d'air provoquera une flamme

hyperactive ou agressive. La flamme dans cette situation est généralement très bleue à la base et ressemble à celle d'un chalumeau. Si cette situation persiste, le combustible dans le pot de combustion sera consommé et le feu s'éteindra. Faire correspondre la quantité d'air nécessaire pour une bonne combustion avec le taux de combustible est l'objectif principal de la combustion efficace des granulés de marques et qualités différentes à l'intérieur de votre poêle. Le rapport air/combustible peut être réglé pour permettre que presque n'importe quelle qualité de combustible brûle efficacement en respectant les procédures détaillées dans le reste de ce manuel. Comme une pression de tirage forcée est nécessaire au processus de combustion à l'intérieur de votre poêle, il est extrêmement important que le système d'évacuation soit installé correctement et maintenu. Et, que la porte d'inspection soit correctement scellée.

PANEL / TÉLÉCOMMANDES

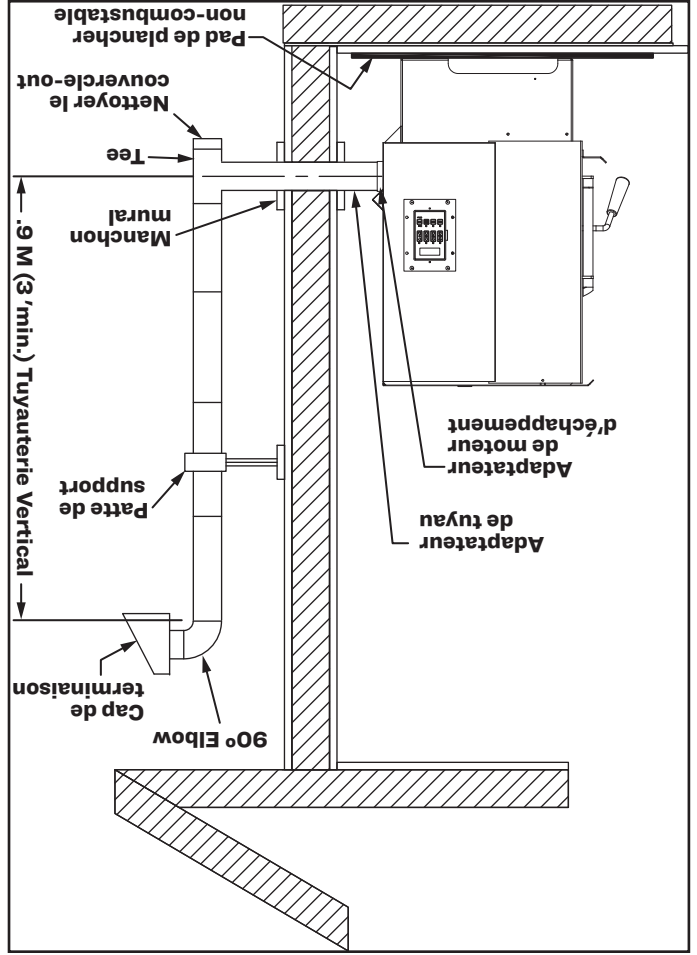


Le fonctionnement de cet appareil peut être contrôlé depuis le panneau situé sur le côté du poêle et / ou par la télécommande. Les fonctions de contrôle sont les suivantes:

A. Interrupteur Marche / Arrêt (Bouton "Alimentation")

- Une fois poussé, le poêle s'allume automatiquement. Aucun autre allume-feu n'est nécessaire. L'allumeur restera allumé pendant au moins 10 et jusqu'à 12 minutes, selon le moment où la preuve de tir est atteinte. L'incendie devrait commencer dans environ 5 minutes.

GRACE À L'INSTALLATION DE MUR (INSTALLATION RECOMMANDÉE)



Les installations canadiennes doivent se conformer à la norme CAN / CSA-B365. Pour évacuer l'unité à travers la paroi, branchez l'adaptateur de tuyau à l'adaptateur de moteur d'échappement. Si l'adaptateur d'échappement est d'au moins 18 po (457 mm) au-dessus du niveau du sol, une section droite de tuyau d'évent peut être utilisée à travers le mur. Votre concessionnaire de chauffage devrait être en mesure de vous fournir un kit qui va gérer la plupart de cette installation, qui comprendra une bague murale qui permettra le jeu correct travers un

mur combustible. Une fois hors de la structure, un 3 po (76 mm) de dégagement devrait être maintenue dans le mur extérieur et un tee ressorte propre doit être placé sur le tuyau avec un 90 degrés tourner loin de la maison. À ce stade, une section de 3 pieds (0,91 m) (minimum) de la conduite devrait être ajoutée avec un bouchon horizontale, qui viendrait compléter l'installation. Une patte de support doit être placé juste sous le bouchon de terminaison ou un tous les 4 pieds (1,22 m) pour rendre le système plus stable. Si vous habitez dans une région qui a fortes chutes de neige, il est recommandé que l'installation soit plus grand que 3 pieds (0,91 m) pour obtenir au-dessus de la ligne de congère. Cette même installation peut être utilisée si votre chauffe-eau est en dessous du niveau du sol en ajoutant simplement la section de nettoyage et tuyau vertical intérieur jusqu'à ce que le niveau du sol est atteint. Avec cette installation, vous devez être conscient de la hauteur de la neige, l'herbe morte, et les feuilles. Nous recommandons un (0,91 m) élévation verticale minimale de 3 pieds à l'intérieur ou à l'extérieur de la maison. L'installation "à travers le mur" est l'installation la moins chère et la plus simple. Ne jamais mettre fin à l'évent de fin sous un pont, dans une alcôve, sous une fenêtre, ou entre deux fenêtres.

INSTALLATION PAR LE TOIT/LE PLAFOND

• Lors de la ventilation du radiateur à travers le plafond, le tuyau est connecté de la même manière que dans le mur, sauf que le té de nettoyage est toujours à l'intérieur de la maison et qu'un adaptateur de 3 po (76 mm) est ajouté avant le nettoyage. tee.

• Vous devez utiliser les brides de support de plafond et le solin de toit appropriés (fournis par le fabricant de tuyaux; suivez les instructions du fabricant de tuyaux). Il est important de noter que si votre longueur verticale de tuyau est supérieure à 12 pi (3,7 m), la taille du tuyau d'évent à granules doit être augmentée à 4 po (102 mm) de diamètre.

• Ne dépassez pas plus de 4 pieds (1,22 m) de tuyau sur une longueur horizontale et utilisez le moins de coudes possible. Si un décalage est nécessaire, il est préférable d'installer des coudes à 45 degrés plutôt que des coudes à 90 degrés.



**ECHAPPEMENT HORIZONTALS  
INSTALLATION**

1. Localisez votre poêle à granulés dans un endroit qui

répond aux exigences de ce manuel, mais dans une

zone où il ne gêne pas la charpente de la maison, le

cablage, etc.

2. Installez un tampon de foyer non combustible sous

le poêle à granulés. Ce coussin doit dépasser d'au

moins 6 po (152 mm) en face de l'unité.

3. Placez le poêle à granulés environ 15 po (381 mm de)

loin de la paroi intérieure.

4. Localisez le centre du tuyau d'échappement de votre

unité. Ce point devrait ensuite être étendu à la paroi

intérieure de votre maison. Une fois que vous avez

localisé le point central, sur la paroi intérieure, couper

un trou 7 po (175 mm) de diamètre dans le mur.

5. L'étape suivante consiste à installer le coupe-feu

mural, reportez-vous aux instructions qui viennent

avec le coupe-feu mural pour cette étape.

6. Installez la longueur appropriée du conduit

d'évacuation des gaz d'échappement dans la gaine

murale. Voir les étapes 11 et 12 pour déterminer la

bonne longueur de conduit d'évacuation à utiliser.

7. **En dehors de l'air frais est obligatoire lors de**

**l'installation de cette pastille salle de poêle de**

**chauffage dans les maisons étanches à l'air et**

**les maisons mobiles. Assurez-vous que l'évent**

**de l'air extérieur a un plafond approuvé sur elle**

**pour empêcher les rongeurs d'entrer. Assurez-**

**vous d'installer dans un endroit qui ne sera pas**

**devenir bloqué avec de la neige, etc.**

8. Connectez le tuyau d'évacuation des gaz

d'échappement à la sortie d'échappement de votre

poêle à granulés.

9. Fixer tous les raccords de ventilation conjoints avec

3 vis. Sceller le conduit d'évacuation des connexions

communes avec haute température silicone.

10. Poussez l'unité vers l'arrière à la paroi intérieure, en

étant sûr de maintenir les distances minimales à

combustibles 62 po (51 mm) à l'arrière de l'appareil.

Sceller l'espace annulaire de la paroi vitrole et autour

du tuyau de ventilation à haute température silicone.

11. Le tuyau d'évent d'échappement doit dépasser d'au

moins 12 po (300mm) sur au-delà du mur extérieur.

Sceller l'espace annulaire de la paroi vitrole et autour

du tuyau de ventilation à haute température silicone.

12. Installez un bouchon de terminaison horizontal

approuvé ou si nécessaire installer un coude à 90 °

et la longueur appropriée de ventilation verticale. Un

capuchon d'évent vertical approuvé est recommandé.

G. Dégagement minimum de 2 pi. (0,61 m) sous les

avancées de toiture ou surplombs.

H. Dégagement minimum de 1 pi. (0,3 m) à l'horizontale

de tout mur en matériau combustible.

I. Doit se trouver au minimum à 3 pi. (0,91 m) au-dessus

du toit et à 2 pi. (0,61 m) au-dessus de toute fatière du

toit située à moins de 10 pi (3,05 m).

Déterminer où installer votre nouveau poêle à granulés.

Pour obtenir l'utilisation la plus efficace possible de la

chaleur recueillie, vous devriez envisager une pièce

située au centre de votre maison. Choisissez une pièce

grande et ouverte. Il est extrêmement important de

maintenir des dégagements appropriés par rapport

aux surfaces ou matériaux combustibles dans la pièce

où votre appareil de chauffage sera situé. Vous pouvez

trouver les mesures de dégagement appropriées dans

ce manuel et sur l'étiquette signalétique de votre poêle

à granulés. Le poêle à granulés peut être ventilé à travers

un mur extérieur ou dans une cheminée en maçonnerie

ou en métal existante si le tuyau de ventilation «PL» ou «L»

est utilisé dans toute la cheminée existante. La ventilation

peut traverser le plafond et le toit si le tuyau approuvé est

utilisé. Lorsqu'un passage à travers un mur ou une cloison

de construction combustible est souhaité, l'installation

doit être conforme à la norme CAN / CSA-B365.

**AVERTISSEMENT:**

**• NE PAS OBTENIR D'AIR DE COMBUSTION DU**

**GRENIER, DU GARAGE OU DE TOUTE AUTRE**

**ZONE NON VENTILÉE. VOUS POUVEZ OBTENIR**

**DE L'AIR DE COMBUSTION À PARTIR D'UN**

**ESPACE DE NAVIRE VENTILÉ.**

**• NE PAS INSTALLER D'AMORTISSEUR DE**

**FUMÉE DANS LE SYSTÈME D'ÉVACUATION**

**D'ÉCHAPPEMENT DE CET APPAREIL.**

**• NE RACCORDEZ PAS CET APPAREIL À UN**

**CHEMINÉE DE CHEMINÉE SERVANT UN AUTRE**

**CHAUFFAGE, FOURNAISE OU APPAREIL.**

**• INSTALLER L'ÉVENT AUX DÉGAGEMENTS**

**SPÉCIFIÉS PAR LE FABRICANT DE L'ÉVENT.**

**• UTILISEZ UNIQUEMENT UN MATÉRIEL APPROUVÉ**

**POUR L'INSTALLATION, LE NON-RESPECT DE**

**CES INSTRUCTIONS PEUT ENTRAÎNER DES**

**DOMMAGES MATÉRIELS, DES BLESSURES**

**CORPORELLES OU MÊME LA MORT.**

Cet appareil est certifié pour une utilisation avec

énumérée 3 pouces ou 4 pouces "PL" produits granulés de

ventilation. L'utilisation d'autres composants autres que

mentionnés ici pourrait causer des lésions corporelles, les

dommages de chauffage, et annuler votre garantie.

ou deux coudes à 45 degrés et un coude à 90 degrés, etc.) pour conserver un tirage adéquat.

**IMPORTANT DU PROJET CORRECTE**

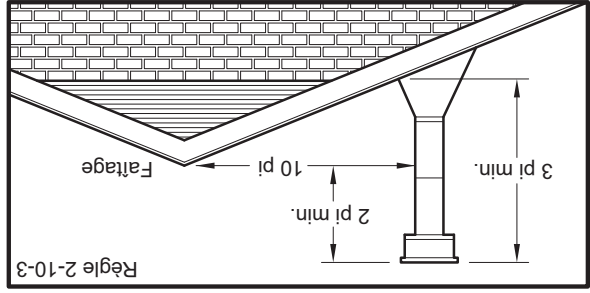
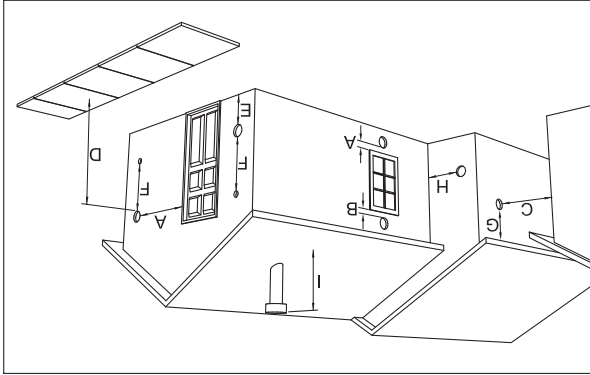
Le tirage est la force qui déplace l'air de l'appareil à travers la cheminée. Le montant du projet dans votre cheminée dépend de la longueur de la cheminée, la géographie locale, les obstructions avoisinantes et d'autres facteurs. Trop projet peut causer des températures excessives dans l'appareil. Un tirage inadéquat peut provoquer un retour de fumée dans la pièce et « brancher » de la cheminée. Un tirage inadéquat entraînera l'appareil à une fuite de fumée dans la pièce par appareil et le connecteur de cheminée joints. Une combustion incontrôlable ou une température excessive indique un tirage excessif. Prendre en compte l'emplacement de la cheminée pour assurer qu'il ne soit pas trop proche de voisins ou dans une vallée qui peut causer des conditions insalubres ou nuisibles.

**TYPE D'ÉVENT À GRANULÉS**

Un système d'évacuation des granulés de type « PL » certifié de 3 pouces ou 4 pouces doit être utilisé pour l'installation et fixé au raccord de tuyau fourni à l'arrière du poêle (utilisez un adaptateur de 3 pouces à 4 pouces pour 4 pouces tuyau). La connexion à l'arrière du poêle doit être scellée à l'aide de HI-Temp RTV. Utilisez un événement de 4 pouces si la hauteur de l'évent est supérieure à 12 pieds ou si l'installation est à plus de 2500 pieds au-dessus du niveau de la mer. Nous recommandons l'utilisation de tuyaux Simpson Dura-Vent® ou Metal-Fab® (si vous utilisez d'autres tuyaux, consultez les codes du bâtiment locaux et / ou les inspecteurs en bâtiment). N'utilisez pas de tuyau d'évent de gaz de type B ou de tuyau galvanisé avec cet appareil. Le tuyau d'évent à granulés est conçu pour être démonté pour le nettoyage et doit être vérifié plusieurs fois pendant la saison de combustion. Le tuyau d'évent à granulés n'est pas fourni avec l'appareil et doit être acheté séparément.

**INSTALLATION D'ÉVENT À GRANULÉS**

L'installation doit comprendre un té de nettoyage pour permettre la collecte des cendres volantes et pour permettre le nettoyage périodique du système d'échappement. Les coudes à 90 degrés accumulent les cendres volantes et la suie, réduisant ainsi le débit d'échappement et les performances du poêle. Chaque coude ou té réduit le potentiel de tirage de 30% à 50%. Tous les joints du système de ventilation doivent être fixés par au moins 3 vis, et tous les joints doivent être scellés avec du mastic silicone HI-Temp RTV pour être hermétiques. La zone où le tuyau de ventilation pénètre à l'extérieur de la maison doit être scellée avec du silicone ou d'autres moyens pour maintenir le pare-vapeur entre l'extérieur et l'intérieur de la maison. Les surfaces de ventilation peuvent devenir suffisamment chaudes pour provoquer des brûlures si elles sont touchées par des enfants. Un



**DÉGAGEMENTS DE TERMINAISON D'ÉVENT**

Ne terminez pas l'évent dans une zone fermée ou semi-fermée, telle que; abri d'auto, garage, grenier, vide sanitaire, sous une terrasse ou un porche, une allée étroite ou tout autre endroit qui peut accumuler une concentration de fumées. Une terminaison dans l'une de ces zones peut également entraîner des situations de pression imprévisibles avec l'appareil et entraîner des performances incorrectes et / ou un dysfonctionnement. La terminaison doit s'échapper au-dessus de l'élevation de l'entrée d'air extérieur. La terminaison ne doit pas être située là où elle sera obstruée par la neige ou d'autres matériaux. Ne pas terminer le conduit d'évacuation dans une cheminée en acier ou en maçonnerie existante.

**TERMINAISON D'ÉVENT À GRANULÉS**

blindage ou des protections non combustibles peuvent être nécessaires.

A. Dégagement minimum 4 pi. (1,22 m) sous ou à côté de toute porte ou fenêtre ouvrante.

B. Dégagement minimum de 1 pi. (0,3 m) au-dessus de toute porte ou fenêtre ouvrante.

C. Dégagement minimum de 3 pi. (0,91 m) de tout bâtiment adjacent.

D. Dégagement minimum de 7 pi. (2,13 m) au-dessus de tout passage public.

E. Dégagement minimum de 2 pi. (0,61 m) au-dessus de toute plante, herbe ou autre matériau combustible.

F. Dégagement minimum de 3 pi. (0,91 m) autour de l'entrée d'air forcée de tout appareil.

L'installation DOIT comporter au moins 3 pi (91 cm) de conduit vertical hors de la maison. Ceci crée un appel d'air naturel qui limite le risque de fumée ou d'odeur lors de l'arrêt de l'appareil et évite que l'évacuation ne provoque des nuisances et un danger en exposant les personnes ou les bûissons à des températures élevées. La hauteur verticale maximale recommandée pour l'évacuation des fumées est de 12 pi (3,66 m) pour une évacuation de type « PL » de 3 po (76 mm). La longueur totale de l'évacuation horizontale NE DOIT PAS dépasser 4 pi (1,22 m). Ceci pourrait provoquer une contre-pression. N'utilisez pas plus de 180 degrés de cou dage (deux coudes à 90 degrés,

## DISTANCE D'ÉVACUATION MAXIMALE

**IMPORTANT:**  
CET APPAREIL EST ÉQUIPÉ D'UN SYSTÈME À TIRAGE NÉGATIF QUI ASPIRE L'AIR À TRAVERS LE POT DE COMBUSTION ET Pousse L'ÉCHAPPEMENT HORS DU LOGEMENT. SI CET APPAREIL EST CONNECTÉ À UN SYSTÈME DE CHEMINÉE AUTRE QUE CELUI DÉCRIT DANS CE MANUEL, IL NE FONCTIONNERA PAS CORRECTEMENT.

Les directives d'installation ci-dessous doivent être respectées pour garantir la conformité tant avec la liste de sécurité de ce poêle qu'avec les codes de construction locaux. Ne pas recourir à des méthodes de fortune ou à des compromis lors de l'installation.

**AVERTISSEMENT:**

- INSTALLEZ L'ÉVACUATION DES FUMÉES EN RESPECTANT LES DÉGAGEMENTS SPÉCIFIÉS PAR LE FABRICANT D'ÉVACUATIONS.
- NE RELIEZ PAS L'ÉVACUATION POUR POÊLE À GRANULÉS À UNE ÉVACUATION UTILISÉE POUR UN AUTRE APPAREIL OU UN AUTRE POÊLE.
- N'INSTALLEZ PAS DE REGISTRE DE TIRAGE SUR LE SYSTÈME D'ÉVACUATION DE CET APPAREIL.

## EXIGENCES POUR L'ÉVACUATION

- coupe-feu de plafond certifié et d'un chapeau de pluie.
- Lors du déménagement de votre maison mobile, toute ventilation extérieure doit être enlevée pendant le déplacement de la maison mobile. Après le déplacement, tous les événements doivent être réinstallés et solidement fixés.
- L'air extérieur est obligatoire pour l'installation d'une maison mobile. Consultez la section Alimentation en air extérieur et votre revendeur pour l'achat.
- Vérifiez auprès de vos responsables locaux du bâtiment car d'autres codes peuvent s'appliquer.

## INSTALLATION

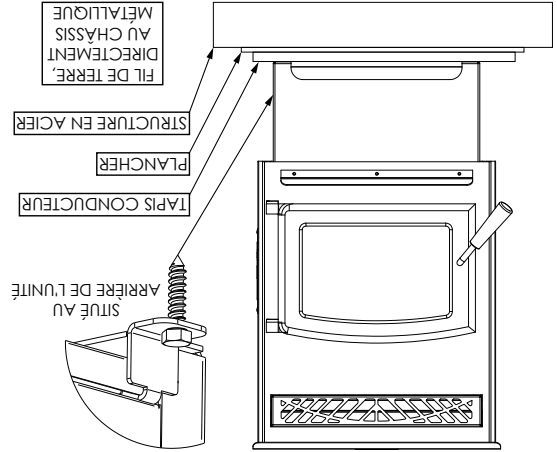
- Ce poêle doit être solidement fixé au plancher de la maison mobile à l'aide de deux tire-fonds de 1/4" qui sont assez longs pour passer à la fois par un coussin de foyer, s'il est utilisé, et le plancher de la maison.
- Le radiateur doit être mis à la terre électriquement au châssis en acier de la maison mobile avec un fil de cuivre de 8 GA à l'aide d'une rondelle dentelée ou en étoile pour pénétrer la peinture ou le revêtement protecteur afin d'assurer la mise à la terre.
- L'évent doit être de 3 ou 4 po « PL » et doit dépasser d'au moins 36 po (914 mm) au-dessus de la ligne de toit de la maison mobile et doit être installé à l'aide d'un

En plus des exigences d'installation précédemment détaillées, les installations de maisons mobiles doivent répondre aux exigences suivantes:

**AVERTISSEMENT ! - N'INSTALLEZ PAS L'APPAREIL DANS UNE CHAMBRE A COUCHER**

**ATTENTION ! - L'INTÉGRITÉ STRUCTURELLE DU PLANCHER DE LA MAISON MOBILE, DES MURS ET DU TOIT DOIT ÊTRE PRÉSERVÉE.**

**EN CAS D'INSTALLATION DANS UNE MAISON MOBILE, LE POÊLE DOIT ÊTRE MIS À LA TERRE DIRECTEMENT SUR LE CHÂSSIS D'ACIER ET BOULONNÉ AU SOL.**



Utilisez les trous désignés pour fixer l'unité au sol.

## FIXATION DE L'APPAREIL AU SOL

**ATTENTION:**

**NE PAS VENTILER SOUS UNE PORCHE, UNE PONT, UN AUVENT OU DANS TOUTE ZONE SEMI-CLOS OU TOIT. LE FAIRE PEUT ENTRAÎNER UN FLUX D'AIR IMPRÉVISIBLE AU BOUCHON D'ÉVENT DANS CERTAINES CONDITIONS ET PEUT AFFECTER LES PERFORMANCES DE VOTRE POÊLE, AINSI QUE D'AUTRES PROBLÈMES IN PRÉVISIBLES.**

## OPTIONS D'INSTALLATION

**Unité autoportante** - supportée par un piédestal / pieds et placée sur une surface de plancher incombustible conformément aux exigences de dégagement pour une installation de poêle autoportante.

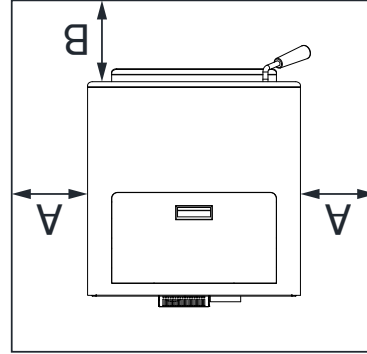
**Unité d'alcôve** - supportée par un piédestal / des pieds et placée sur une surface de plancher incombustible conformément aux exigences de dégagement pour une installation en alcôve.

## INSTALLATION INCORRECTE

L'utilisation d'autres composants autres que ceux indiqués dans le présent document pourrait causer des blessures corporelles, des dommages au radiateur et annuler votre garantie. Le fabricant ne sera pas tenu responsable des dommages causés par le dysfonctionnement d'un poêle en raison d'une ventilation ou d'une installation incorrecte.

## PROTECTION DU SOL

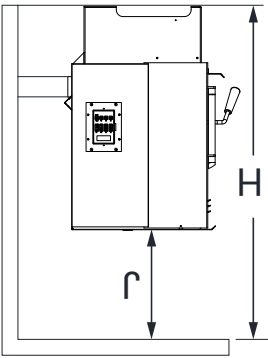
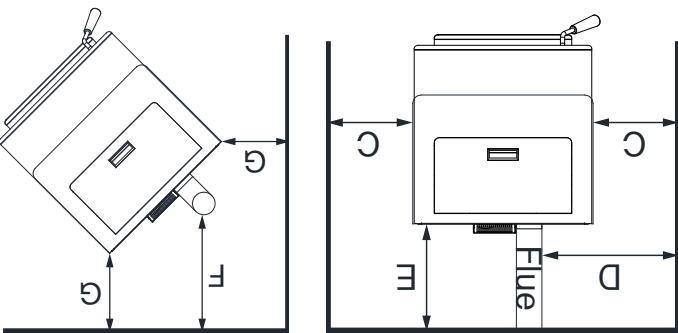
Cet appareil de chauffage doit avoir un protecteur de plancher incombustible (protection contre les braises) installé en dessous si le plancher est en matériau combustible. Si un tapis de sol est utilisé, il doit être homologué UL ou égal. Le tapis de sol ou la surface non combustible doit être suffisamment grand pour couvrir au moins la zone sous le produit et 6 po (153 mm) au-delà de l'avant et au-delà de chaque côté des ouvertures de chargement de carburant et de retrait des cendres. La protection du plancher doit s'étendre sous et 2" (51 mm) de chaque côté du té de cheminée pour une installation verticale intérieure. Les installations canadiennes nécessitent un minimum de 18 po [458 mm] au-delà de l'avant de l'appareil et de 8 po [204 mm] au-delà de chaque côté de l'appareil.



mm	po		
A	153	U.S.A	6
A	204	CAN	8
B	153	U.S.A	6
B	458	CAN	18

## DÉGAGEMENTS

Votre poêle à granulés a été testé et répertorié pour une installation dans une maison résidentielle et mobile conformément aux dégagements indiqués ci-dessous. Pour des raisons de sécurité, veuillez respecter les dégagements et restrictions d'installation. Toute réduction du jeu aux combustibles ne peut être effectuée que par des moyens approuvés par une autorité réglementaire.



mm	po		
C	10	Mur latéral à l'appareil	
D	77	Mur latéral au conduit	
E	51	Mur arrière à l'appareil	
F	77	Mur arrière vers la cheminée	
G	51	Mur au coin de l'appareil	
H	1524	Hauteur du plafond au sol	
J	686	Hauteur du plafond à l'appareil	

## ALIMENTATION EN AIR EXTÉRIEUR (EN

### OPTION, SAUF SI INSTALLÉ DANS UNE MAISON MOBILE)

Selon votre emplacement et la construction de votre maison, l'air extérieur peut être nécessaire pour une performance optimale. Votre poêle est homologué pour être installé avec une prise d'air extérieur (69FAK) nécessaire pour une maison mobile. Vous pouvez acheter le 69FAK auprès de votre revendeur d'appareils de chauffage. Les instructions d'installation sont fournies avec le kit d'admission d'air.

<https://www.wettinc.ca>


<https://nificertified.org>

proche, accédez à:

US Stove recommande fortement que votre poêle soit installé par un technicien qualifié NFI (US) ou WETT (Canada). Pour trouver l'installateur qualifié le plus

We recommend that our woodburning hearth products be installed and serviced by professionals who are certified in the U.S. by the National Fireplace Institute® (NFI) as NFI Woodburning Specialists or who are certified in Canada by Wood Energy Technical Training (WETT).

**CERTIFIED**  
www.nificertified.org



**Wood Energy Technical Training (WETT)**  
www.wettinc.ca

**ATTENTION:**

- L'UTILISATION D'AIR EXTÉRIEUR N'EST PAS NÉCESSAIRE POUR CET APPAREIL.
- NE DÉBRANCHEZ PAS LE POÊLE SI VOUS SOUÇONNEZ UN DYSFONCTIONNEMENT. PLACEZ LE CONTACTEUR ON/OFF SUR « OFF » PUIS PRENEZ CONTACT AVEC LE CONCESSIONNAIRE.
- LE POÊLE NE FONCTIONNE PAS PENDANT LES COUPURES DE COURANT. EN CAS DE PANNE DE COURANT, VEILLEZ AUX ÉMANATIONS DE FUMÉE DU POÊLE ET OUVEREZ UNE FENÊTRE SI LA FUMÉE SE RÉPAND DANS LA PIÈCE.
- N'OBSTRUEZ JAMAIS LA CIRCULATION DE L'AIR DES GRILLES D'ÉVACUATION OUVERTES DE L'APPAREIL.

**ATTENTION:**

- UN DÉTECTEUR DE FUMÉE FONCTIONNEL DOIT ÊTRE INSTALLÉ DANS LA PIÈCE OÙ SE TROUVE LE POÊLE.
- INSTALLEZ UN DÉTECTEUR DE FUMÉE À CHAQUE ÉTAGE DE VOTRE MAISON; EN CAS D'INCENDIE ACCIDENTEL DÙ À N'IMPORTE QUELLE CAUSE, CE DISPOSITIF PEUT LAISSER LE TEMPS DE S'ÉCHAPPER.
- LE DÉTECTEUR DE FUMÉE DOIT ÊTRE INSTALLÉ À AU MOINS 15 PIEDS (4,57 M) DE L'APPAREIL AFIN D'ÉVITER QU'IL NE SE DÉCLENCHE INUTILEMENT LORS DU RECHARGEMENT DU POÊLE.

**POUR LE SERVICE À LA CLIENTÈLE APPELÉZ: 800-750-2723 EXT 5050**

**ATTENTION:**

**ATTENTION: LA COMBUSTION DU COMBUSTIBLE GÈNÈRE DU MONOXYDE DE CARBONE QUI PEUT S'AVÉRER DANGEREUX POUR LA SANTÉ EN L'ABSENCE D'UNE VENTILATION APPROPRIÉE.**

**AVIS DE SÉCURITÉ**

- SICEPOËLE N'EST PAS INSTALLÉ CORRECTEMENT, UN INCENDIE PEUT EN RÉSULTER. POUR RÉDUIRE LES RISQUES D'INCENDIE, SUIVEZ LES INSTRUCTIONS D'INSTALLATION.
- ADRESSEZ-VOUS AUX AUTORITÉS LOCALES DE L'URBANISME POUR OBTENIR UN PERMIS ET DES RENSEIGNEMENTS SUR TOUTE AUTRE RESTRICTION À L'INSTALLATION ET SUR LES EXIGENCES D'INSPECTION DANS VOTRE RÉGION.
- NE PLACEZ AUCUN VÊTEMENT OU AUTRE OBJET INFLAMMABLE SUR OU PRÈS DU POÊLE.
- N'UTILISEZ JAMAIS D'ESSENCE, DE COMBUSTIBLE À LANTERNE DE TYPE ESSENCE, DE KÉROSENE, D'ESSENCE D'ALLUME-FEU OU D'AUTRES LIQUIDES SIMILAIRES POUR ALLUMER OU RAVIVER LE FEU DANS CE POÊLE. GARDEZ TOUS CES LIQUIDES ÉLOIGNÉS DU POÊLE LORSQU'IL EST EN MARCHÉ.
- CET APPAREIL EST UN APPAREIL DE CHAUFFAGE AUTONOME. IL N'EST PAS CONÇU POUR ÊTRE RELIÉ À DES CONDUITS DE DISTRIBUTION D'AIR. CE N'EST PAS UN FOURNEAU.
- INSTALLER L'ÉVENT AUX DÉGAGEMENTS SPÉCIFIÉS PAR LE FABRICANT DE L'ÉVENT.
- N'INSTALLEZ PAS DE REGISTRE DE TIRAGE SUR LE SYSTÈME D'ÉVACUATION DE CET APPAREIL.
- CE POÊLE DOIT ÊTRE RÉGULIÈREMENT ENTRETENU ET NETTOYÉ (VOIR LA SECTION « ENTRETIEN »). LE DÉFAUT D'ENTRETIEN DU POÊLE PEUT ENTRAÎNER UN FONCTIONNEMENT INAPPROPRIÉ ET DANGEREUX.
- UN DISJONCTEUR DOIT ÊTRE INSTALLÉ. CET APPAREIL DOIT ÊTRE BRANCHÉ SUR UNE PRISE MURALE AVEC TERRE DE 110-120 V, 60 Z. N'UTILISEZ PAS D'ADAPTATEUR DE PRISE ET NE COUPEZ PAS LA FICHE DE TERRE. N'ACHÉMINÉZ PAS LE CORDON ÉLECTRIQUE SOUS, DEVANT OU SUR LE POÊLE. NE FAITES PAS COURIR LE CORDON ÉLECTRIQUE DANS LES ZONES DE PASSAGE ET NE LE COINCEZ PAS SOUS LES MEUBLES.

Votre poêle à bois ne doit être installé que par un installateur qualifié. Un installateur qualifié NFI est disponible à l'adresse [www.nficertified.org/public/find-an-nfi-pro/](http://www.nficertified.org/public/find-an-nfi-pro/)

## SERVICE CLIENTS

1-800-750-2723 poste 5050

Texte au 423-301-5624

E-mail à: [customer-service@ussstove.com](mailto:customer-service@ussstove.com)

## LISTE DE CONTRÔLE DE MISE EN SERVICE

Cette liste de contrôle doit être remplie intégralement par la personne qualifiée qui installe cet appareil. Conservez cette page pour référence future.

Le fait de ne pas installer et mettre en service selon les instructions du fabricant et de remplir cette liste de contrôle annulera la garantie.

S'il te plaît imprime

Nom du client:		Numéro de téléphone:	
Adresse:			
Modèle:			
Numéro de série:			
Nom de la société d'installation:		Numéro de téléphone:	
Nom du technicien d'installation:		Numéro de licence:	

## DESCRIPTION DU TRAVAIL

Emplacement de l'appareil installé: \_\_\_\_\_

Système de ventilation: nouveau système de ventilation  Oui  Non Si oui, marque \_\_\_\_\_

Si non, date d'inspection du système de ventilation existant: \_\_\_\_\_

## MISE EN SERVICE

Confirmer l'installation du tapis de foyer conformément aux instructions d'installation

Confirmer le bon placement des pièces internes

Vérifier la solidité du joint de porte et des joints de porte

Confirmer les dégagements aux combustibles selon les instructions d'installation de ce manuel

Vérifier le fonctionnement des commandes pneumatiques

Confirmez que le système de ventilation est sécurisé et scellé

Confirmer que le poêle démarre et fonctionne correctement

Assurez-vous qu'un avertisseur de CO est installé conformément aux codes du bâtiment locaux et qu'il est fonctionnel

Expliquer le fonctionnement en toute sécurité, l'utilisation appropriée du carburant, le nettoyage et les exigences d'entretien de routine

Déclaration d'achèvement: En tant que personne qualifiée responsable des travaux décrits ci-dessus, je confirme que l'appareil en tant que travail associé a été installé selon les instructions du fabricant et en suivant les codes de construction et d'installation applicables.

Signé: \_\_\_\_\_

Nom en lettres moulées: \_\_\_\_\_

Date: \_\_\_\_\_

## Propriétaire du domicile: CONSERVEZ CETTE INFORMATION POUR RÉFÉRENCE FUTURE



**Remarque:** enregistrez votre produit en ligne sur [www.usstove.com](http://www.usstove.com) ou téléchargez l'application gratuite dès aujourd'hui. Cette application est disponible uniquement sur l'App Store pour iPhone et iPad. Recherchez US Stove. Conservez votre reçu avec vos dossiers pour toute réclamation.

customer@ussstove.com

Écrivez-nous à:

Texte au 423-301-5624 ou;

1-800-750-2723 poste 5050 ou;

Pour le service client, veuillez appeler:

**IL EST CONTRAIRE À LA RÉGLEMENTATION FÉDÉRALE D'UTILISER CE POÊLE À BOIS D'UNE MANIÈRE INCOMPATIBLE AVEC LES INSTRUCTIONS D'UTILISATION DU MANUEL DU PROPRIÉTAIRE.**

**AVERTISSEMENT:**

Spécifications De Chauffage	
Brûler le combustible de tarif* (réglage le plus bas)	1,5 lbs./hr.
Temps de combustion (réglage le plus bas)	32 hrs. (approximatif)
Capacité de la trémie	60 lbs. (27,2 kg)
Spécifications Électriques	
Note électrique	120 V, 60 Hz, 3.0 Amps
Watts (opérationnel)	180W
Watts (allumeur en marche)	350W
Dimensions	
Hauteur X Largeur X Profondeur	32,8 po (834 mm) X 21 po (534mm) X 23,77 po (604 mm)
Poids	145 lbs. (123kg)

Votre poêle à granulés a été approuvé pour une installation aux États-Unis et au Canada. Il peut également être installé dans une maison préfabriquée ou mobile. Votre poêle est certifié à la norme ASTM E1509-12 (2017) et certifiés à la norme ULC S627, 2000. Ce manuel décrit l'installation et le fonctionnement du poêle à granulés Ashley, AP60. Cet appareil de chauffage respecte les limites d'émission de bois en vigueur dans la US Environmental Protection Agency pour 2020 pour les appareils de chauffage au bois vendus après le 15 mai 2020. Dans des conditions d'essai spécifiques de l'EPA, brûler du bois dimensionnel en sapin Douglas a démontré que cet appareil produit de la chaleur à un taux de 8 476 à 20 700 btu/heure. Ce dispositif de chauffage a atteint un taux d'émission de particules de 1,5 g / h lors de son test selon la méthode ASTM E 2779 et une efficacité de 66%.

# Manuel D'Instructions et D'utilisation Du Propriétaire



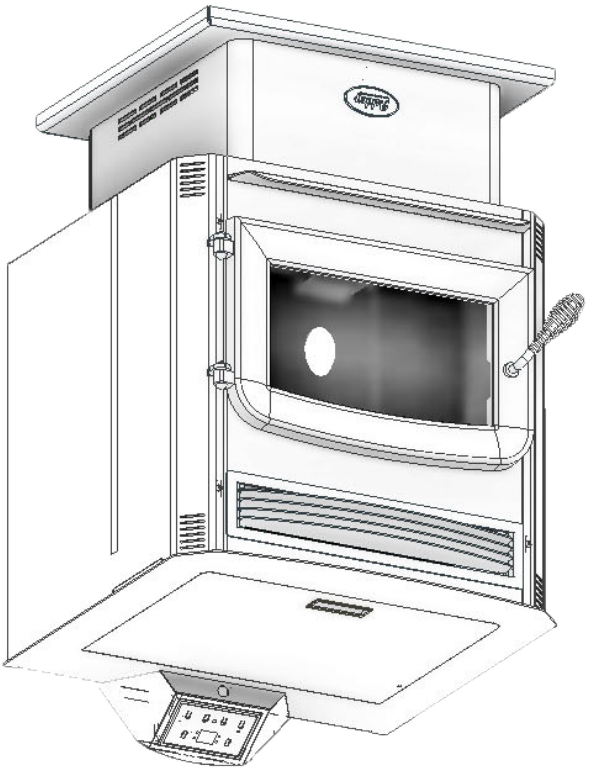
Numéro De Modèle:

**AP5617**



Rapport #: F20-571

Certifié selon la norme ASTM E1509-12 (2017)  
et Certifié UL-C-5627-00-REV1  
Mobile home approuvé



\* Toutes les images de ce manuel sont à des fins d'illustration uniquement. Le produit réel peut varier.

Conservez ces instructions dans un endroit sûr pour référence ultérieure.



**AVIS DE SÉCURITÉ:** Si ce radiateur n'est pas correctement installé, un incendie peut en résulter. Pour votre sécurité, suivez les instructions d'installation. N'utilisez jamais de compromis de fortune lors de l'installation de ce radiateur. Contactez les responsables locaux du bâtiment ou des pompiers pour connaître les permis, les restrictions et les exigences d'installation dans votre région. NE JAMAIS UTILISER CE PRODUIT SANS SURVEILLANCE.



MISE EN GARDE! Veuillez lire l'intégralité de ce manuel avant d'installer ou d'utiliser votre nouveau radiateur. Le non-respect des instructions peut entraîner des dommages matériels, des blessures corporelles ou même la mort. Une installation incorrecte pourrait annuler votre garantie!

## AGENCE AMÉRICAINE DE PROTECTION DE L'ENVIRONNEMENT

Certifié conforme aux normes d'émissions de particules 2020.

**AVERTISSEMENT SUR LA PROPOSITION 65 DE LA CALIFORNIE:**  
Ce produit peut vous exposer à des produits chimiques, y compris le monoxyde de carbone, qui est connu dans l'État de Californie pour provoquer le cancer, des anomalies congénitales et / ou d'autres troubles de la reproduction. Pour plus d'informations, visitez [www.P65warnings.ca.gov](http://www.P65warnings.ca.gov)

CE MANUEL EST SUJET À MODIFICATION SANS PRÉAVIS.