

UNITED STATES STOVE CO

EST^d 1869

MODEL: 5660

SAVE THESE INSTRUCTIONS

THIS MANUAL WILL HELP YOU TO OBTAIN EFFICIENT, DEPENDABLE SERVICE FROM THE HEATER, AND ENABLE YOU TO ORDER REPAIR PARTS CORRECTLY. KEEP IN A SAFE PLACE FOR FUTURE REFERENCE.

- Please read this entire manual before installation and use of this appliance. Failure to follow these instructions could result in property damage, bodily injury, or even death.
- Contact your local building or fire officials about obtaining permits, restrictions and installation inspection requirements in your area.
- SAVE THESE INSTRUCTIONS.
- If your heater is not properly installed, a house fire may result. For everyone's safety, follow all Installation and Operating Directions. Never use makeshift compromises during the installation of this appliance. Contact your local building or fire officials about restrictions and installation inspection requirements in your area. These Pellet Stove Room Heaters have been designed for use in the US and Canada and are suitable for mobile homes.

ALL PICTURES SHOWN ARE FOR ILLUSTRATIVE PURPOSES ONLY.
ACTUAL PRODUCT MAY VARY DUE TO PRODUCT ENHANCEMENT.

This manual is subject to change without notice.



Certified to ASTM E1509-12 (2017)
and Certified to ULC-S627-00 REV 1

This unit is not intended to be used as a
primary source of heat.

U.S. Environmental Protection Agency
Certified to comply with 2020
particulate emissions standards.

⚠ CALIFORNIA PROPOSITION 65 WARNING:
This product can expose you to chemicals including carbon monoxide, which is known to the State of California to cause cancer, birth defects and/or other reproductive harm. For more information, go to www.P65warnings.ca.gov

United States Stove Company
227 Industrial Park Road
South Pittsburg, TN 37380

851901T-0503J

Safety Precautions

- **IMPORTANT:** Read this entire manual before installing and operating this product. Failure to do so may result in property damage, bodily injury, or even death. Proper installation of this stove is crucial for safe and efficient operation.
- Install vent at clearances specified by the vent manufacturer.
- Do not connect the pellet vent to a vent serving any other appliance or stove.
- Do not install a flue damper in the exhaust venting system of this unit.
- Use of outside air is not required for this unit.
- Contact your local building officials to obtain a permit and information on any additional installation restrictions or inspection requirements in your area.
- Do not throw this manual away. This manual has important operating and maintenance instructions that you will need at a later time. Always follow the instructions in this manual.
- This appliance is designed for the use of pelletized fuel that meet or exceed the standard set by the Pellet Fuel Institute(PFI),
- Never use gasoline, gasoline-type lantern fuel, kerosene, charcoal lighter fluid, or similar liquids to start or 'freshen up' a fire in this stove. Keep all such liquids well away from the stove while it is in use.
- A working smoke detector must be installed in the same room as this product.
- Install a smoke detector on each floor of your home; incase of accidental fire from any cause it can provide time for escape.
- The smoke detector must be installed at least 15 feet (4,57 M) from the appliance in order to prevent undue triggering of the detector when reloading.
- Do not unplug the stove if you suspect a malfunction. Turn the ON/OFF switch to "OFF" and contact your dealer.
- Your stove requires periodic maintenance and cleaning (see "Maintenance"). Failure to maintain your stove may lead to improper and/or unsafe operation.
- Disconnect the power cord before performing any maintenance! NOTE: Turning the ON/OFF Switch to "OFF" does not disconnect all power to the electrical components of the stove.
- Never try to repair or replace any part of the stove unless instructions for doing so are given in this manual. All other work should be done by a trained technician.
- Do not operate your stove with the viewing door open. The auger will not feed pellets under these circumstances and a safety concern may arise from sparks or fumes entering the room.
- Allow the stove to cool before performing any maintenance or cleaning. Ashes must be disposed in a metal container with a tight fitting lid. The closed container of ashes should be placed on a non-combustible surface or on the ground, well away from all combustible materials, pending final disposal.
- The exhaust system should be checked monthly during the burning season for any build-up of soot or creosote.
- Do not touch the hot surfaces of the stove. Educate all children on the dangers of a high-temperature stove. Young children should be supervised when they are in the same room as the stove.
- The hopper and stove top will be hot during operation; therefore, you should always use some type of hand protection when refuelling your stove.
- A power surge protector is required. This unit must be plugged into a 110 - 120V, 60 Hz grounded electrical outlet. Do not use an adapter plug or sever the grounding plug. Do not route the electrical cord underneath, in front of, or over the heater. Do not route the cord in foot traffic areas or pinch the cord under furniture.
- The heater will not operate during a power outage. If a power outage does occur, check the heater for smoke spillage and open a window if any smoke spills into the room.
- The feed door must be closed and sealed during operation.
- Never block free airflow through the open vents of the unit.
- Keep foreign objects out of the hopper.
- The moving parts of this stove are propelled by high torque electric motors. Keep all body parts away from the auger while the stove is plugged into an electrical outlet. These moving parts may begin to move at any time while the stove is plugged in.
- Do not place clothing or other flammable items on or near this stove.
- When installed in a mobile home, the stove must be grounded directly to the steel chassis and bolted to the floor. **WARNING - THIS UNIT MUST NOT BE INSTALLED IN THE BEDROOM.** **CAUTION -** The structural integrity of the mobile home floor, wall, and ceiling/roof must be maintained.
- This appliance is not intended for commercial use.
- **CAUTION:** Burning fuel creates carbon monoxide and can be hazardous to your health if not properly vented.
- This appliance is a freestanding heater. It is not intended to be attached to any type of ducting. It is not a furnace.

Specifications

Heating Specifications	
Fuel Burn Rate* (lowest setting)	1.5 lbs./hr.
Hopper Capacity	45 lbs.

* Pellet size may effect the actual rate of fuel feed and burn times. Fuel feed rates may vary by as much as 20%. Use PFI listed fuel for best results.

Dimensions	
Height	30.50 po (775 mm)
Width	24.25 po (616 mm)
Depth	26.19 po (665 mm)

Electrical Specifications	
Electrical Rating	115-120 volts, 60 HZ, 3.0 Amps
Watts (operational)	180W
Watts (igniter running)	346W

This manual describes the installation and operation of the United States Stove Company, 5660 pellet stove. This heater meets the 2020 U.S. Environmental Protection Agency's crib wood emission limits for wood-heaters sold after May 15, 2020. Under specific EPA test conditions burning Douglas Fir dimensional lumber this heater has been shown to deliver heat at a rate of 11,155 to 24,361 btu/hr. This heater achieved a particulate emissions rate of 1.9 g/hr and an efficiency of 62%.

FUEL CONSIDERATIONS

Your pellet stove is designed and tested with premium grade pellets that comply with Pellet Fuels Institute (PFI) standards. You can only burn premium grade pellets in this pellet heater (minimum of 40 lbs density per cubic feet, 1/4" to 5/16" diameter, length no greater than 1.5", not less than 8,200 BTU/lb, moisture under 8% by weight, ash under 1% by weight, and salt under 300 parts per million). Pellets that are soft, contain excessive amounts of loose sawdust, have been, or are wet, will result in reduced performance and may cause damage to your heater. Store your pellets in a dry place. DO NOT store the fuel within the installation clearances of the unit or within the space required for refuelling and ash removal. Doing so could result in a house fire. Do not over-fire or use volatile fuels or combustibles, doing so may cause a personal and property damage hazards.

SAFETY AND EPA COMPLIANCE

Your pellet stove has been approved for installation in the USA and Canada. It may also be installed in a manufactured or mobile home. Your stove is Certified to ASTM E1509-12 (2017), and Certified to ULC-S627-00 REV1

WARNING: It is against federal regulations to operate this wood heater in a manner inconsistent with the operating instructions in the owner's manual.

Installation

Attention: DO NOT vent under any porch, deck, awning, or in any semi enclosed or roofed area. Doing so may result in unpredictable airflow at the vent cap under certain conditions and can affect the performance of your stove, as well as, other unforeseeable issues.

INSTALLATION OPTIONS

Read this entire manual before you install and use your pellet stove. Failure to follow instructions may result in property damage, bodily injury, or even death! See specific installation details for clearances and other installation requirements.

Freestanding Unit - supported by pedestal/legs and placed on a non-combustible floor surface in compliance with clearance requirements for a freestanding stove installation.

Alcove Unit - supported by pedestal/legs and placed on a non-combustible floor surface in compliance with clearance requirements for an alcove installation.

Your pellet stove may be installed to code in either a conventional or mobile home (see Special Mobile Home Requirements). It is recommended that only a authorized technician install your pellet stove, preferably an NFI certified specialist. DO NOT CONNECT THIS UNIT TO ANY AIR DISTRIBUTION DUCT OR SYSTEM. The use of other components other than stated herein could cause bodily harm, heater damage, and void your warranty.

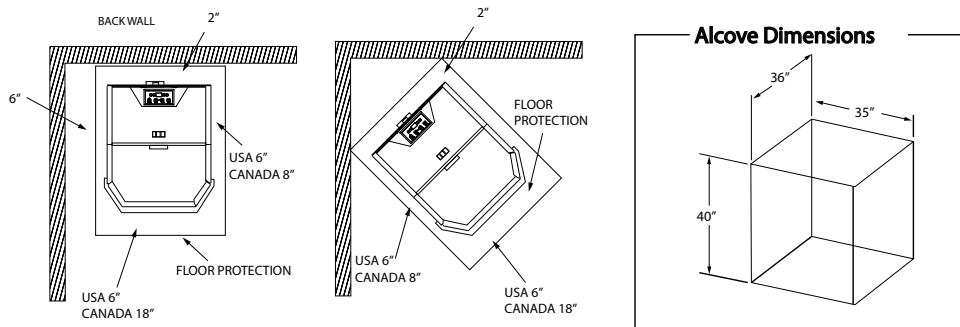
IMPROPER INSTALLATION: The manufacturer will not be held responsible for damage caused by the malfunction of a stove due to improper venting or installation. Call (800) 750-2723 and/or consult a professional installer if you have any questions.

CLEARANCES

Your pellet stove has been tested and listed for installation in residential, mobile home, and alcove applications in accordance with the clearances given. For safety reasons, please adhere to the installation clearances and restrictions. Any reduction in clearance to combustibles may only be done by means approved by a regulatory authority.

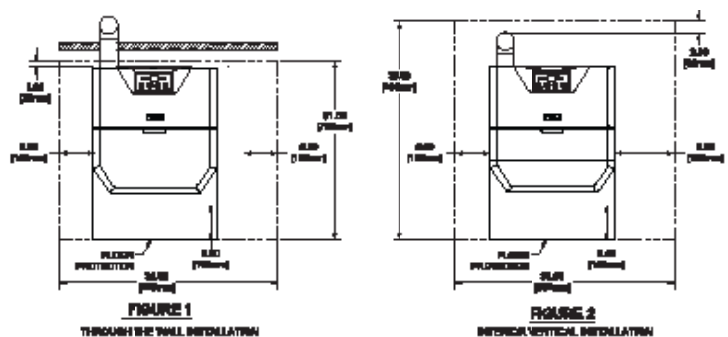
INSTALL ALL VENTS AT CLEARANCES SPECIFIED BY THE VENT MANUFACTURER

When this unit is being installed on a combustible floor it is mandatory that a 1/2" (13 mm) thick non-combustible hearth pad be installed under the heater. The non-combustible hearth pad must extend at least 6" (152 mm) beyond the fuel loading and ash removal openings and at least the depth of the heater plus 6" (152 mm) out in front of the heater. The floor protector must extend 2" (51 mm) beyond each side of the exhaust vent. This applies to both freestanding heaters and insert heaters.



FLOOR PROTECTION

This heater must have a non-combustible floor protector (ember protection) installed beneath it if the floor is of combustible material. If a floor pad is used, it should be UL listed or equal. The floor pad or non-combustible surface should be large enough to cover at least the area under the product and 6" (152 mm) beyond the front and beyond each side of the fuel loading and ash removal openings. Floor protection must extend under and 2" (51 mm) to each side of the chimney tee for an interior vertical installation. Canadian installations require a minimum of 450 mm [17.7"] beyond the front of the unit and 200 mm [7.8"] beyond each side of the unit. A Floor Protector of 1/4" thick is recommended for this installation.



VENTING REQUIREMENTS

- Install vent at clearances specified by the vent manufacturer.
- Do not connect the pellet vent to a vent serving any other appliance or stove.
- Do not install a flue damper in the exhaust venting system of this unit.

The following installation guidelines must be followed to ensure conformity with both the safety listing of this stove and to local building codes. Do not use makeshift methods or compromise in the installation.

IMPORTANT! This unit is equipped with a negative draft system that pulls air through the burn pot and pushes the exhaust out of the dwelling. If this unit is connected to a flue system other than the way explained in this manual, it will not function properly.

MAXIMUM VENTING DISTANCE

Installation MUST include at least 3-feet of vertical pipe outside the home. This will create some natural draft to reduce the possibility of smoke or odor during appliance shutdown and keep exhaust from causing a nuisance or hazard by exposing people or shrubs to high temperatures. The maximum recommend vertical venting height is 12-feet for 3-inch type "PL" vent. Total length of horizontal vent must not exceed 4-feet. This could cause back pressure. Use no more than 180 degrees of elbows (two 90-degree elbows, or two 45-degree and one 90-degree elbow, etc.) to maintain adequate draft.

IMPORTANCE OF PROPER DRAFT

Draft is the force which moves air from the appliance up through the chimney. The amount of draft in your chimney depends on the length of the chimney, local geography, nearby obstructions and other factors. Too much draft may cause excessive temperatures in the appliance. Inadequate draft may cause backpuffing into the room and 'plugging' of the chimney. Inadequate draft will cause the appliance to leak smoke into the room through appliance and chimney connector joints. An uncontrollable burn or excessive temperature indicates excessive draft. Take into account the chimney's location to ensure it is not too close to neighbors or in a valley which may cause unhealthy or nuisance conditions.

PELLET VENT TYPE

A certified 3-inch or 4-inch type "PL" pellet vent exhaust system must be used for installation and attached to the pipe connector provided on the back of the stove (use a 3-inch to 4-inch adapter for 4-inch pipe). Connection at back of stove must be sealed using Hi-Temp RTV. Use 4-inch vent if the vent height is over 12-feet or if the installation is over 2,500 feet above sea level. We recommend the use of Simpson Dura-Vent® or Metal-Fab® pipe (if you use other pipe, consult your local building codes and/or building inspectors). Do not use Type-B Gas Vent pipe or galvanized pipe with this unit. The pellet vent pipe is designed to disassemble for cleaning and should be checked several times during the burning season. Pellet vent pipe is not furnished with the unit and must be purchased separately.

PELLET VENT INSTALLATION

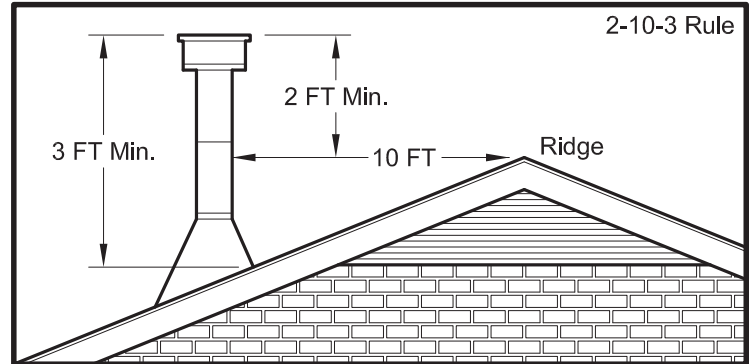
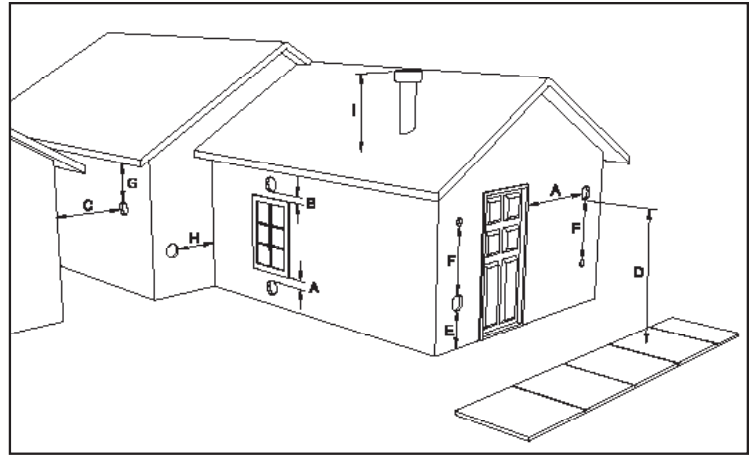
The installation must include a clean-out tee to enable collection of fly ash and to permit periodic cleaning of the exhaust system. 90-degree elbows accumulate fly ash and soot thereby reducing exhaust flow and performance of the stove. Each elbow or tee reduces draft potential by 30% to 50%. All joints in the vent system must be fastened by at least 3 screws, and all joints must be sealed with Hi-Temp RTV silicone sealant to be airtight. The area where the vent pipe penetrates to the exterior of the home must be sealed with silicone or other means to maintain the vapor barrier between the exterior and the interior of the home. Vent surfaces can get hot enough to cause burns if touched by children. Non-combustible shielding or guards may be required.

PELLET VENT TERMINATION

Do not terminate the vent in an enclosed or semi-enclosed area, such as; carport, garage, attic, crawl space, under a sun deck or porch, narrow walkway, or any other location that can build up a concentration of fumes. Termination in one of these areas can also lead to unpredictable pressure situations with the appliance, and could result in improper performance and/or malfunction. The termination must exhaust above the outside air inlet elevation. The termination must not be located where it will become plugged by snow or other materials. Do not terminate the venting into an existing steel or masonry chimney.

VENT TERMINATION CLEARANCES

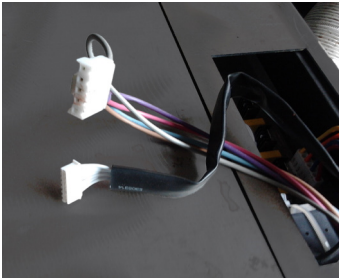
- A. Minimum 4-foot (1.22m) clearance below or beside any door or window that opens.
- B. Minimum 1-foot (0.3m) clearance above any door or window that opens.
- C. Minimum 3-foot (0.91m) clearance from any adjacent building.
- D. Minimum 7-foot (2.13m) clearance from any grade when adjacent to public walkways.
- E. Minimum 2-foot (0.61m) clearance above any grass, plants, or other combustible materials.
- F. Minimum 3-foot (0.91m) clearance from an forced air intake of any appliance.
- G. Minimum 2-foot (0.61m) clearance below eaves or overhang.
- H. Minimum 1-foot (0.3m) clearance horizontally from combustible wall.
- I. Must be a minimum of 3 foot (0.91m) above the roof and 2 foot (0.61m) above the highest point or the roof within 10 feet (3.05m).



Assembly Instructions

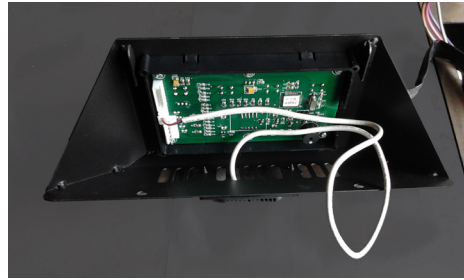
Step 1

Pull the factory installed wires out of the top of the stove. There will be two wire harnesses, as shown.



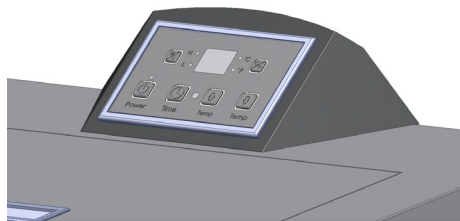
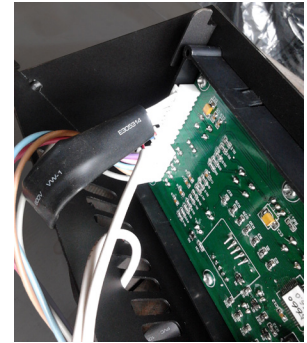
Step 2

Unpack the top mount controls and ensure that the wiring harness shown is attached securely.



Step 3

Connect the factory installed wiring harnesses to the control panel as shown.



Step 4

Attach the control panel to the top of the stove, as shown.

Step 5

Secure with two sheet metal screws.

You have already made the important decision of choosing your U.S. Stove Pellet Burning Room Heater; now your next step is to determine where to install your new pellet stove heater. To get the most efficient use of re-circulated heat, you should consider a room that is centrally located within your home. Choose a room that is large and open. It is Extremely Important to maintain proper clearances from any combustible surfaces or materials in the room where your heater will be located. You can find proper clearance measurements in this manual and on the rating label of your pellet stove. The pellet stove can be vented through an exterior wall or into an existing masonry or metal chimney if "PL" or "L" vent pipe is used throughout existing chimney. Venting can pass through the ceiling and roof if approved pipe is used. Where passage through a wall, or partition of combustible construction is desired, the installation must conform to CAN/CSA-B365.

- DO NOT OBTAIN COMBUSTION AIR FROM THE ATTIC, GARAGE OR ANY OTHER UNVENTILATED AREA. YOU MAY OBTAIN COMBUSTION AIR FROM A VENTILATED CRAWL SPACE.
- DO NOT INSTALL A FLUE DAMPER IN THE EXHAUST VENTING SYSTEM OF THIS UNIT.
- DO NOT CONNECT THIS UNIT TO A CHIMNEY FLUE SERVING ANOTHER HEATER, FURNACE OR APPLIANCE.
- INSTALL VENT AT CLEARANCES SPECIFIED BY THE VENT MANUFACTURER.
- ONLY USE APPROVED MATERIAL FOR INSTALLATION, FAILURE TO DO SO MAY RESULT IN PROPERTY DAMAGE, BODILY INJURY, OR EVEN DEATH.

This appliance is certified for use with listed 3 inch or 4 inch "PL" or "L" pellet venting products. The use of other components other than stated herein could cause bodily harm, heater damage, and void your warranty.

HORIZONTAL EXHAUST VENT INSTALLATION

1. Locate your pellet stove in a location which meets the requirements of this manual, but in an area where it does not interfere with the house framing, wiring, etc.
2. Install a non-combustible hearth pad underneath the pellet stove. This pad should extend at least 6" (152 mm) in front of the unit.
3. Place the pellet stove approximately 15" (381 mm) away from the interior wall.
4. Locate the center of the exhaust pipe of your unit. This point should then be extended to the interior wall of your house. Once you have located the center point, on the interior wall, cut a 7" (175 mm) diameter hole through the wall.
5. The next step is to install the wall thimble, refer to the instructions which come with the wall thimble for this step.
6. Install the appropriate length of exhaust vent pipe into the wall thimble. See steps 11 and 12 when determining the correct length of exhaust vent to use.
7. Outside Fresh Air is Mandatory when installing this pellet stove room heater in airtight homes and mobile homes. Be sure that the outside air vent has an approved cap on it to prevent rodents from entering. Be sure to install in location that won't become blocked with snow, etc.
8. The air intake pipe is equipped with a butterfly valve that is preset to maximum air intake. For optimum operating efficiency you may calibrate the butterfly valve to provide less intake air. Caution: Too much restriction on the intake air will cause dirtier burn, therefore, will require more frequent cleaning.



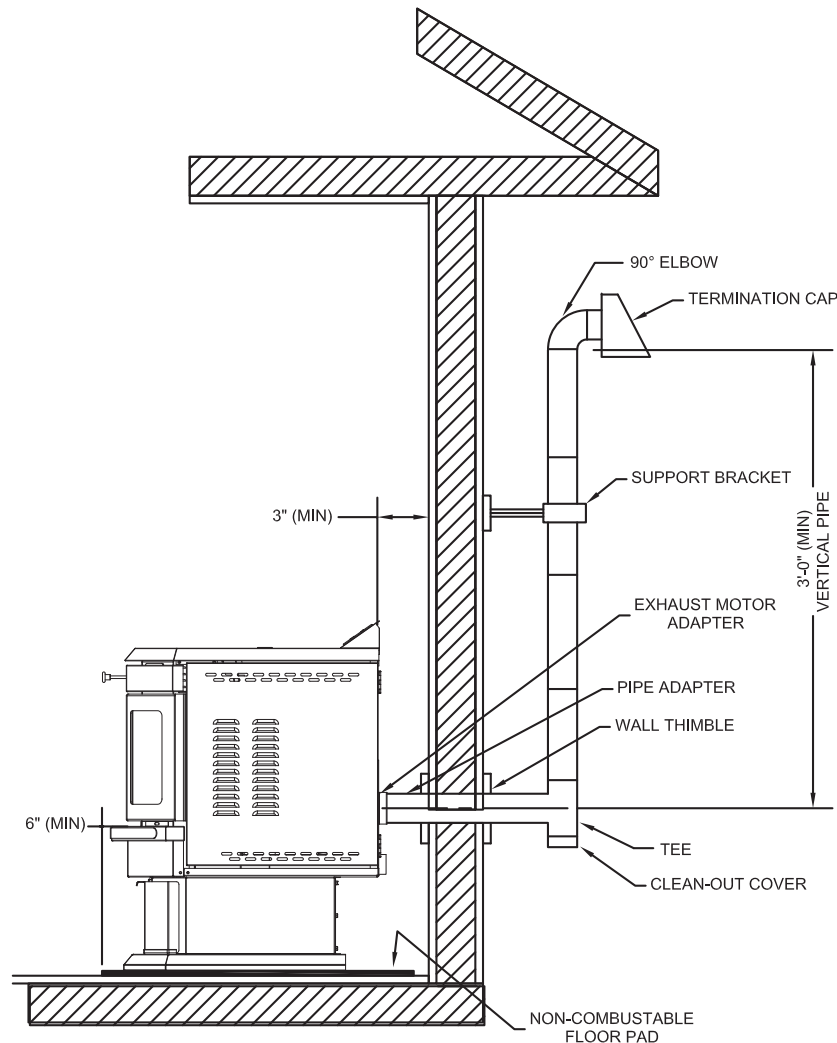
9. Connect the exhaust vent pipe to the exhaust outlet of your pellet stove.
10. Secure all vent joint connections with 3 screws. Seal the exhaust vent joint connections with high temperature silicone sealant.
11. Push the unit straight back to the interior wall, being sure to maintain the minimum clearances to combustibles 6" (152 mm) to the back of the unit. Seal the annular space of the wall thimble and around the vent pipe with high temperature silicone sealant.
12. The exhaust vent pipe must extend at least 12" (300 mm) out past the exterior wall. Seal the annular space of the wall thimble and around the vent pipe with high temperature silicone sealant.
13. Install an approved horizontal termination cap or if necessary install a 90° elbow and appropriate length of vertical venting. An approved vertical vent cap is recommended.

THROUGH THE WALL INSTALLATION (RECOMMENDED INSTALLATION)

Canadian installations must conform to CAN/CSA-B365. To vent the unit through the wall, connect the pipe adapter to the exhaust motor adapter. If the exhaust adapter is at least 18 in.(457mm) above ground level, a straight section of pellet vent pipe can be used through the wall. Your heater dealer should be able to provide you with a kit that will handle most of this installation, which will include a wall thimble that will allow the proper clearance through a combustible wall. Once outside the structure, a 3" (76 mm) clearance should be maintained from the outside wall and a clean out tee should be placed on the pipe with a 90-degree turn away from the house. At this point, a 3ft (0.91m) (minimum) section of pipe should be added with a horizontal cap, which would complete the installation. A support bracket should be placed just below the termination cap or one every 4ft (1.22m) to make the system more stable. If you live in an area that has heavy snowfall, it is recommended that the installation be taller than 3ft (0.91m) to get above the snowdrift line. This same installation can be used if your heater is below ground level by simply adding the clean-out section and vertical pipe inside until ground level is reached. With this installation you have to be aware of the snowdrift line, dead grass, and leaves. We recommend a 3ft (0.91m) minimum vertical rise on the inside or outside of the house. The "through the wall" installation is the least expensive and simplest installation. Never terminate the end vent under a deck, in an alcove, under a window, or between two windows.

THROUGH THE ROOF/CEILING INSTALLATION

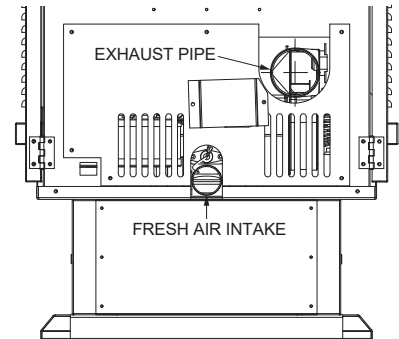
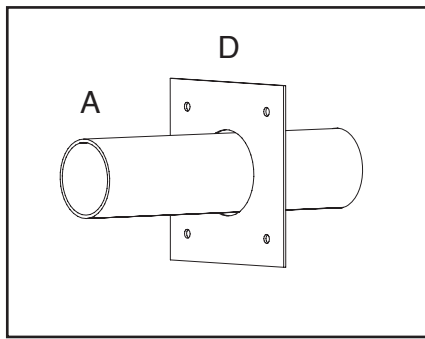
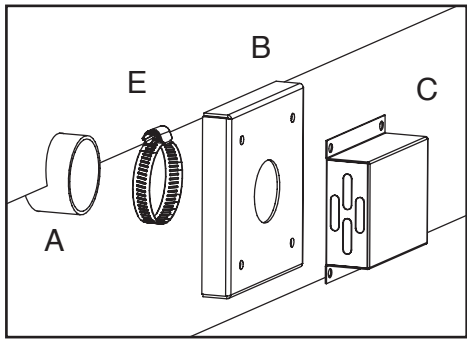
When venting the heater through the ceiling, the pipe is connected the same as through the wall, except the clean-out tee is always on the inside of the house, and a 3 in.(76mm) adapter is added before the clean-out tee. You must use the proper ceiling support flanges and roof flashing (supplied by the pipe manufacturer; follow the pipe manufacturer's directions). It is important to note that if your vertical run of pipe is more than 15ft (4.57m), the pellet vent pipe size should be increased to 4" (102 mm) in diameter. Do not exceed more than 4ft (1.22m) of pipe on a horizontal run and use as few elbows as possible. If an offset is required, it is better to install 45-degree elbows rather than 90-degree elbows.



69FAK OUTSIDE AIR SUPPLY (OPTIONAL, UNLESS INSTALLING IN A MOBILE HOME)

Depending on your location and home construction, outside air may be necessary for optimal performance.

1. With the stove in the operating position, mark and drill a hole to accommodate the 2" flexible hose.
2. Insert the hose through the wall and attach the Outside Cover with one of the 2" hose clamps provided.
3. Then attach the Outside Cover to the outside wall.
4. Next, attach the Rodent Cover to the Outside Cover using four (4) of the #10 x 3/4 screws supplied.
5. On the inside of the home, slide the Inside Plate over the tube then attach to the wall with the four drywall anchors and screws provided.
6. On the Air Inlet Tube coming out of the firebox, there is a cap that must have four (4), 5/32" (0.156) diameter holes drilled in it for the fresh air installation. The cap is on the front side of the tube just under the burnpot. Remove burnpot. Using a long screwdriver or equivalent, knock the cap off by inserting it from the back of the stove and pecking with a hammer. Drill holes, then replace cap and burnpot.
7. Attach one of the 2" flex hoses to the backside of the firebox, then to air inlet pipe at the back of the stove as shown.
8. Stretch the 2" flex hose to the air inlet on the back of the stove. Attach using the other 2" hose clamp. The hose will extend up to 4 feet in length.



Mobile Home Installation

Canadian installations require that the heater must be connected to a 3 or 4 inch, factory-built chimney conforming to CAN/ULC-S627-00 REV1. See the installation illustrations in this manual for minimum height above the roof. The chimney installation must allow for removal in case of mobile home transportation, especially outside connections. You may contact your local building authority or person having jurisdiction on height restrictions.

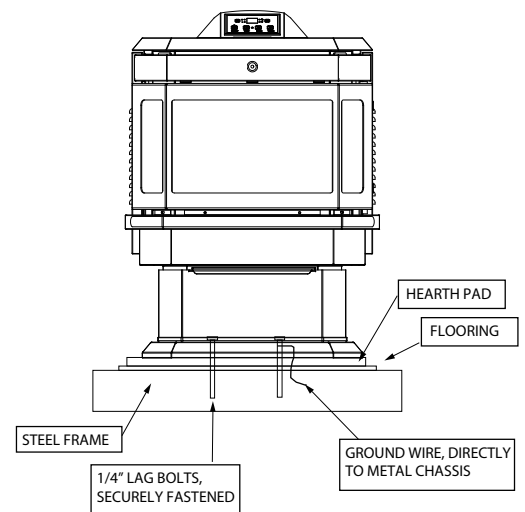
In order for this unit to be installed in a mobile home the following criteria must be met:

- The unit must be secured to the floor using lag bolts in the holes provided in the pedestal base.
- Ensure that the unit is permanently electrically grounded to the chassis of your home with 18 gauge copper wire.
- All exhaust systems must have a spark arrestor.

IT IS MANDATORY TO TAKE THE COMBUSTION AIR FROM THE OUTSIDE WHEN INSTALLING THIS UNIT IN AIR TIGHT OR MANUFACTURED/MOBILE HOMES.

CAUTION: The structural integrity of the manufactured home floor, wall, and ceiling/roof must be maintained. Make sure to maintain an effective vapor barrier by sealing with silicone where the chimney or other components penetrate to the exterior of the structure. Refer to and follow the chimney manufacturer's installation instructions.

WARNING: Do not install in sleeping room.



NOTE: Only the free standing model is approved for installation into a mobile home.

Appliance Controls

PANEL/REMOTE CONTROLS

The blowers and automatic fuel supply are controlled from a panel on the top of the stove. The control panel functions are as follows.

A. ON/OFF SWITCH (“POWER” BUTTON)

- When pushed, the stove will automatically ignite. No other fire starter is necessary. The igniter will stay on for at least 10 and up to 12 minutes, depending on when Proof of Fire is reached. The fire should start in approximately 5 minutes.
- The red light located above the “POWER” button will turn green when pressed and remain green until the stove is turned off.
- After pushing “POWER”, the auger motor is on for 3.5 minutes, off for 1 minute. During the remainder of the start-up period, the auger motor operates on the heat range “1” setting.
- During start-up the heat level advance (Up and Down keys) will change the heat range indicator level accordingly, but there is no change in the stove's operating conditions until start-up is completed.
- During start-up ignition must occur within 12 minutes or the stove will error out and show E4.
- During the start-up phase, the Mode key does not function.

B. LEVEL / TEMP ARROW BUTTONS

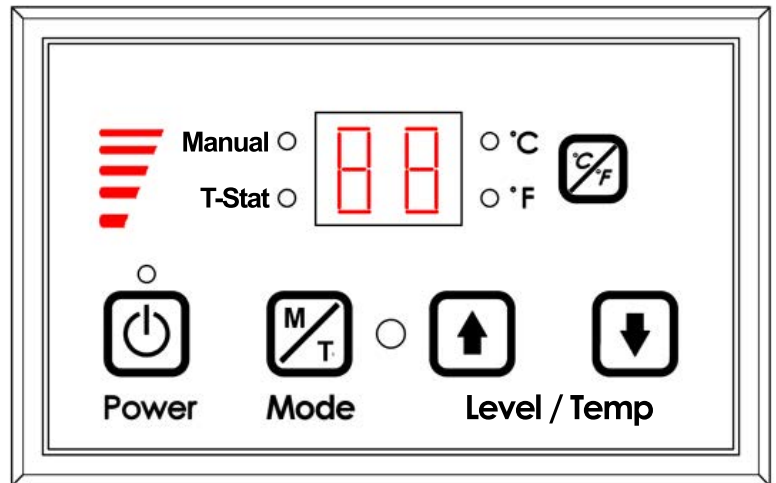
- These buttons when pushed will set the pellet feed rate, hence the heat output or heat range of your stove.
- The levels of heat output will incrementally change on the bar graph starting from heat range “1” to heat range “5”.

C. °C / °F BUTTON

- The °C / °F button changes the two digit display from degrees Celsius to degrees Fahrenheit.

D. MODE (M/T) BUTTON

- The Mode of the stove can be switched between manual and controlled with a Thermostat. Separate LEDs to the left of the two digit display indicate the mode of operation – Manual or T-Stat. The stove has to be in normal operation to be switched from Manual to T-Stat mode.
- Manual mode operates according to the 5 set levels of feed on the bar graph from heat range “1” to heat range “5”.
- T-Stat mode works as follows:
- The stove has a built in Thermostat into the controls of the appliance. The temperature sensor for the T-Stat is located on the back of the stove behind the display board.
- Once the stove has gone into run mode the stove can be switched into T-Stat mode.
- The Up and Down Level / Temp Arrow buttons are used to change the desired set-point temperature. Once the desired temperature is reached the two digit display will flash for four seconds and reset to the actual room temperature.
- Once the stove reaches within 3°F of the desired temperature set point, it returns to the heat range that the stove was set on before it was switched to T-Stat mode (if the stove was running on heat range “5” when switched to T-stat mode when it gets within 3°F of the set point it will return to heat range “5”).
- Once the stove reaches the desired set-point, the stove will drop to heat range “1”.
- When room temperature drops below desired set-point the stove will ramp back up until it reaches the desired temperature.



Operation

- DO NOT USE CHEMICALS OR FLUIDS TO START THE FIRE - Never use gasoline, gasoline-type lantern fuel, kerosene, charcoal lighter fluid, or similar liquids to start or “freshen up” a fire in this stove. Keep all such liquids well away from the stove while it is in use.
- HOT WHILE IN OPERATION. KEEP CHILDREN, CLOTHING AND FURNITURE AWAY. CONTACT MAY CAUSE SKIN BURNS.

This heater is designed to burn only PFI Premium grade pellets. DO NOT BURN:

1. Garbage;
2. Lawn clippings or yard waste;
3. Materials containing rubber, including tires;
4. Materials containing plastic;
5. Waste petroleum products, paints or paint thinners, or asphalt products;
6. Materials containing asbestos;
7. Construction or demolition debris;
8. Railroad ties or pressure-treated wood;
9. Manure or animal remains;
10. Salt water driftwood or other previously salt water saturated materials;
11. Unseasoned wood; or
12. Paper products, cardboard, plywood, or particleboard. The prohibition against burning these materials does not prohibit the use of fire starters made from paper, cardboard, saw dust, wax and similar substances for the purpose of starting a fire in an affected wood heater.

Burning these materials may result in release of toxic fumes or render the heater ineffective and cause smoke.

PROPER FUEL

THIS STOVE IS APPROVED FOR BURNING PELLETIZED WOOD FUEL ONLY ! Factory-approved pellets are those 1/4" or 5/16" in diameter and not over 1" long. Longer or thicker pellets sometimes bridge the auger flights, which prevents proper pellet feed. Burning wood in forms other than pellets is not permitted. It will violate the building codes for which the stove has been approved and will void all warranties. The design incorporates automatic feed of the pellet fuel into the fire at a carefully prescribed rate. Any additional fuel introduced by hand will not increase heat output but may seriously impair the stoves performance by generating considerable smoke. Do not burn wet pellets. The stove's performance depends heavily on the quality of your pellet fuel. Avoid pellet brands that display these characteristics:

1. Excess Fines – “Fines” is a term describing crushed pellets or loose material that looks like sawdust or sand. Pellets can be screened before being placed in hopper to remove most fines.
2. Binders – Some pellets are produced with materials to hold the together, or “bind” them.
3. High ash content – Poor quality pellets will often create smoke and dirty glass. They will create a need for more frequent maintenance. You will have to empty the burn pot plus vacuum the entire system more often. Poor quality pellets could damage the auger. We cannot accept responsibility for damage due to poor quality pellet.

PRE-START-UP CHECK

Remove burn pot, making sure it is clean and none of the air holes are plugged. Clean the firebox, and then reinstall burn pot. Clean door glass if necessary (a dry cloth or paper towel is usually sufficient). Never use abrasive cleaners on the glass or door. Check fuel in the hopper, and refill if necessary.

BUILDING A FIRE

Never use a grate or other means of supporting the fuel. Use only the burn pot supplied with this heater. Hopper lid must be closed in order for the unit to feed pellets. During the start-up period:

1. Make sure burn pot is free of pellets.
2. DO NOT open the viewing door.
3. DO NOT open the damper, the damper needs to be closed during start up.
4. DO NOT add pellets to the burn pot by hand.

NOTE: During the first few fires, your stove will emit an odor as the high temperature paint cures or becomes seasoned to the metal. Maintaining smaller fires will minimize this. Avoid placing items on stove top during this period because paint could be affected.

THE FIRESTARTER

1. Fill hopper and clean burn pot.
2. Press "On/Off" button. Make sure green light comes on.
3. The damper should be completely closed or open no more than 1/4 of the way during start-up. This will vary depending on your installation and elevation. Once fire is established adjust for desired flame increasing the amount the damper is open as the heat setting is increased. (See "DAMPER CONTROL")
4. Adjust feed rate to desired setting by pressing "Heat Level Advance" button.

If fire doesn't start in 12 minutes, press "On/Off", wait a few minutes, clear the burn pot, and start procedure again.

DAMPER CONTROL

The damper control lever is located on the back of the stove on the lower left side. The dampener adjusts the combustion air. This control is necessary due to the varied burn characteristics of individual installations, different pellet brands and pellet feed rates. It allows you to improve the efficiency of your stove. Providing correct combustion air will reduce the frequency of cleaning your glass door and prevent the rapid buildup of creosote inside your stove and chimney. You should adjust the damper based on the fire's appearance. A low, reddish, dirty fire can be improved by turning the dampener slightly to the right. A "blow torch" fire can be improved by turning the dampener to the left a little bit. As a general rule, on lower feed rate settings, the damper should be farther to the left closing it off. On higher feed rates, the damper should be open more by having it set more towards the right. Through trial and error, you will find the best setting. Consult your dealer if you need help. NOTE: On heat range "1", damper should be either completely closed or open no more than a 1/4 of the way. If damper is open to far, it can cause the fire to go out.

OPENING DOOR

If the door is opened while the stove is in operation it must be closed within 30 seconds or the stove will shut down. If the stove shuts down push the "On/Off" button to re-start your stove. The stove will have to fully shut down and turn off before you will be able to restart the stove.

ROOM AIR FAN

When starting your stove the Room Air Fan will not come on until the stove's heat exchanger warms up. This usually takes about 10 minutes from start-up.

IF STOVE RUNS OUT OF PELLETS

The fire goes out and the auger motor and blowers will run until the stove cools. This will take 30 minutes or longer depending on the heat remaining in the appliance. After the stove components stop running all lights on the display will go out and the two digit display will begin flashing "E3"

REFUELING

- The hopper and stove top will be hot during operation; therefore, you should always use some type of hand protection when refueling your stove.
 - Never place your hand near the auger while the stove is in operation.
- We recommend that you not let the hopper drop below 1/4 full.

KEEP HOPPER LID CLOSED AT ALL TIMES EXCEPT WHEN REFILLING. DO NOT OVERFILL HOPPER.

SHUTDOWN PROCEDURE

Turning your stove off is a matter of pressing the "POWER" button on the display board. The green light will turn back to red when the "POWER" button is pushed. The auger motor will stop, and the blowers will continue to operate until the internal firebox temperatures have fallen to a preset level.

WARNING: Never shut down this unit by unplugging it from the power source.

1. Your stove is equipped with a high temperature thermoswitch. This unit has a manual reset thermoswitch. This safety switch has two functions.
 - A. To recognize an overheat situation in the stove and shut down the fuel feed or auger system.
 - B. In case of a malfunctioning convection blower, the high-temperature thermoswitch will automatically shut down the auger, preventing the stove from overheating.

NOTE: On some units, once tripped, like a circuit breaker, the reset button will have to be pushed before restarting your stove. On other units the thermodisc has no reset button and will reset itself once the stove has cooled. The manufacturer recommends that you call your dealer if this occurs as this may indicate a more serious problem. A service call may be required.

2. If the combustion blower fails, an air pressure switch will automatically shut down the auger.

NOTE: Opening the stove door for more than 30 seconds during operation will cause enough pressure change to activate the air switch, shutting the fuel feed off. The stove will shut down and show "E2" on the two digit display. The stove has to fully shut down before restarting.

TAMPER WARNING

This wood heater has a manufacturer-set minimum low burn rate that must not be altered. It is against federal regulations to alter this setting or otherwise operate this wood heater in a manner inconsistent with operating instructions in this manual.

VISIBLE SMOKE

The amount of visible smoke being produced can be an effective method of determining how efficiently the combustion process is taking place at the given settings. Visible smoke consist of unburned fuel and moisture leaving your stove. Learn to adjust the air settings of your specific unit to produce the smallest amount of visible smoke. Wood that has not been seasoned properly and has a high wood moisture content will produce excess visible smoke and burn poorly.

Maintenance

- Failure to clean and maintain this unit as indicated can result in poor performance and safety hazards.
- Unplug your stove's electrical cord prior to removing the back panel or opening the exhaust system for any inspection, cleaning, or maintenance work.
- Never perform any inspections, cleaning, or maintenance on a hot stove.
- Do not operate stove with broken glass, leakage of flue gas may result.
- Attempts to achieve heat output rates that exceed heater design specifications can result in permanent damage to the heater.

EXHAUST SYSTEM

Creosote Formation – When any wood is burned slowly, it produces tar and other organic vapors, which combine with expelled moisture to form creosote. The creosote vapors condense in the relatively cool chimney flue or a newly started fire or from a slow-burning fire. As a result, creosote residue accumulates on the flue lining. When ignited, this creosote makes an extremely hot fire, which may damage the chimney or even destroy the house. Despite their high efficiency, pellet stoves can accumulate creosote under certain conditions.

Fly Ash – This accumulates in the horizontal portion of an exhaust run. Though non-combustible, it may impede the normal exhaust flow. It should therefore be periodically removed.

Inspection and Removal – The chimney connector and chimney should be inspected by a qualified person annually or per ton of pellets to determine if a creosote or fly ash build-up has occurred. If creosote has accumulated, it should be removed to reduce the risk of a chimney fire. Inspect the system at the stove connection and at the chimney top. Cooler surfaces tend to build creosote deposits quicker, so it is important to check the chimney from the top as well as from the bottom. The creosote should be removed with a brush specifically designed for the type of chimney in use. A qualified chimney sweep can perform this service. It is also recommended that before each heating season the entire system be professionally inspected, cleaned and, if necessary, repaired. To clean the chimney, disconnect the vent from the stove.

WARNING: FAILURE TO PROPERLY MAINTENANCE THE CLEAN OUTS WILL RESULT IN POOR PERFORMANCE OF THIS STOVE.

WARNING: Do not attempt to operate the heat exchange tube cleaner while the pellet stove is in operation or cooling down; wait until pellet stove has cooled completely before performing this procedure.

INTERIOR CHAMBERS

- Burn Pot: Periodically remove and clean the burn pot and the area inside the burn pot housing. In particular, it is advisable to clean out the holes in the burn pot to remove any build up that may prevent air from moving through the burn pot freely.
- Heat Exchanger: There is a clean out plate on both sides of the heat exchanger that need to be removed to clean fly ash out of the heat exchanger. The clean outs are located inside the cabinet doors, on the lower front corners of the heat exchanger. It is imperative that they be cleaned out at a minimum of once per month. To access these clean outs, you must remove both side panels. The clean outs are secured to the firebox with (2) 5/16" screws. Remove the clean outs and vacuum out any accumulated ash. This should be done at least once per month or more frequently if large amounts of ash are noticed while cleaning or if the stove does not seem to be burning properly

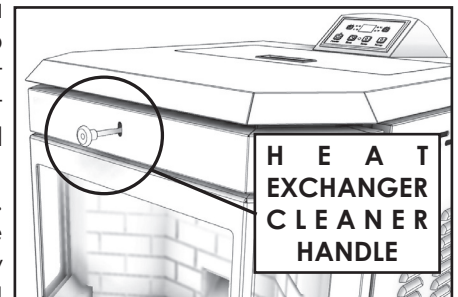
If a vacuum is used to clean your stove, we suggest using the AV15E AshVac vacuum. The AV15E AshVac is designed for ash removal. Some regular vacuum cleaner (i.e. shop vacs) may leak ash into the room.

DO NOT VACUUM HOT ASH

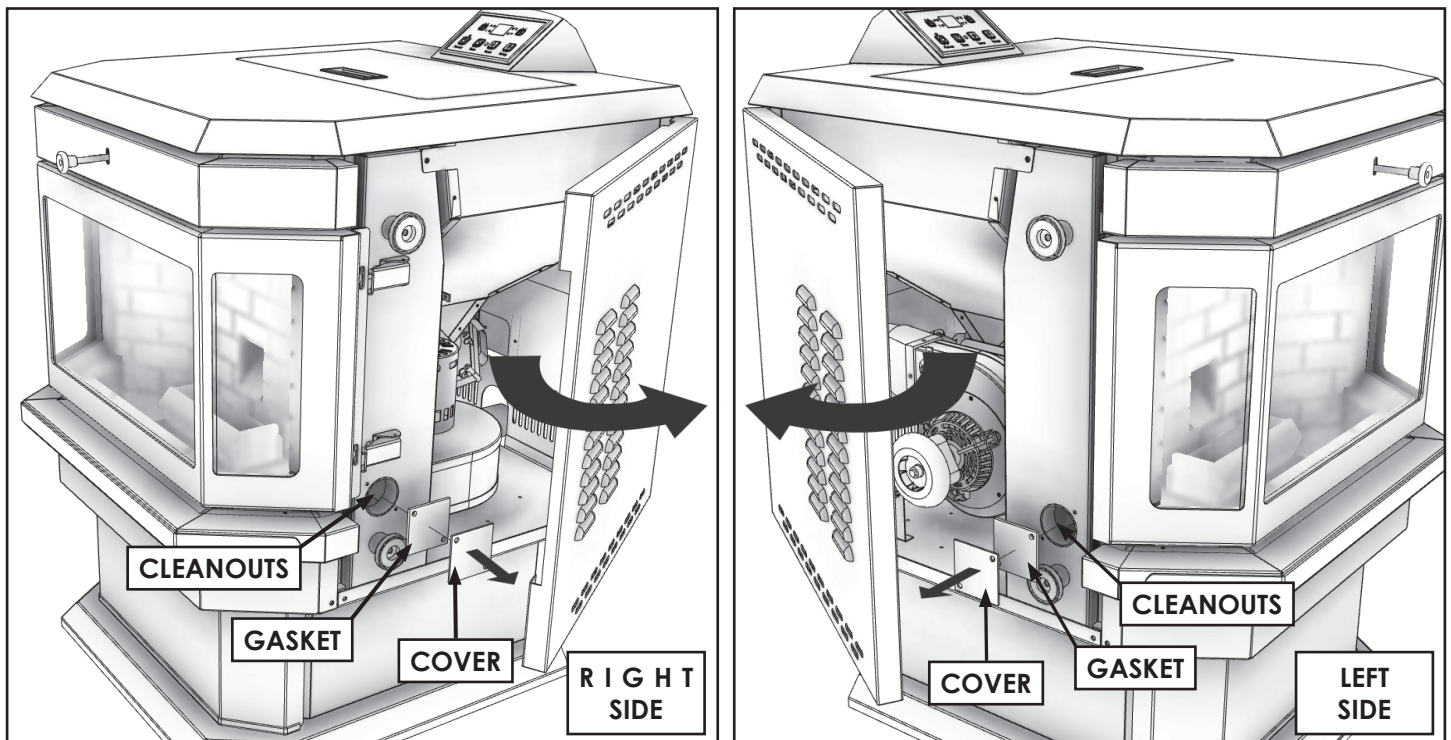
CLEANING

Heat Exchanger Tubes – Your Pellet Stove Room Heater is designed with a built in heat exchanger tube cleaner. This should be used every 2 or 3 days to remove ash build up on the heat exchanger tubes, which can reduce heat transfer. The handle, for the heat exchanger tube cleaner, is located in front of the vent tubes on front side of heater. Slide the rod front to back several times to clean the tubes then follow the instructions for ash removal.

Periodically remove the clean outs on either side of the heat exchanger. Clean out the ash, then follow the instructions for ash removal. Check the gasket before replacing the clean out cover. If gasket is damaged new gasket can be ordered. Alternatively, high temperature silicone can be used to ensure a proper seal between the clean out cover and the stove body.

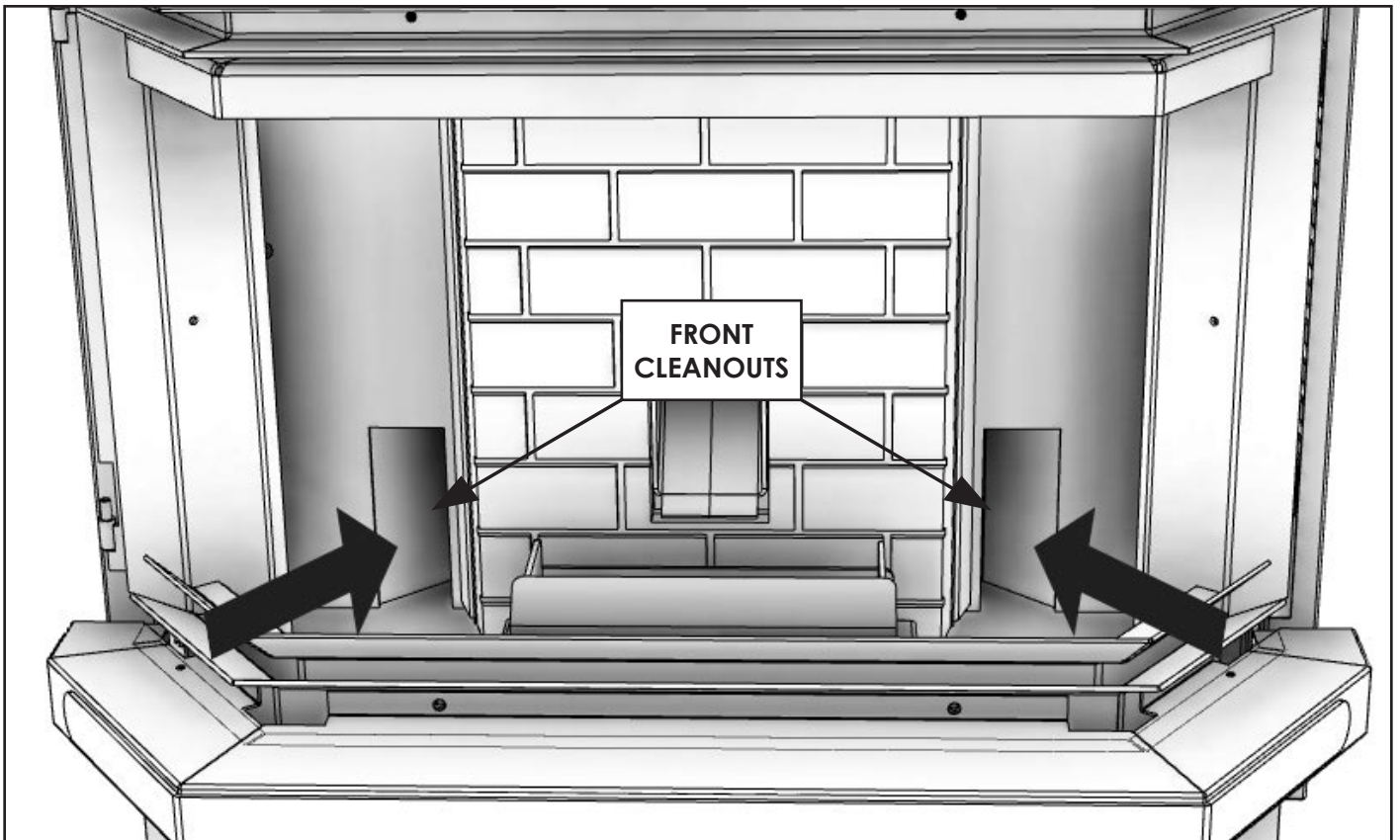
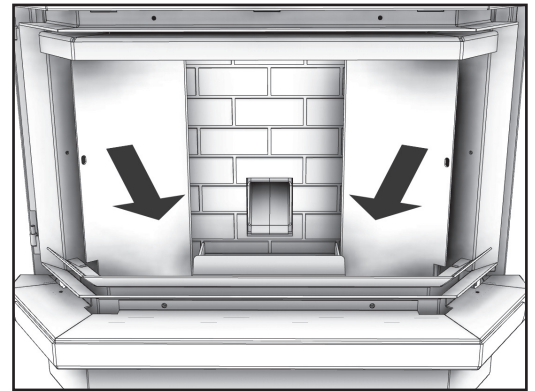
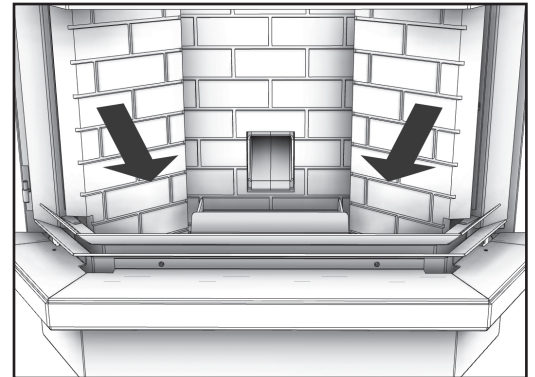
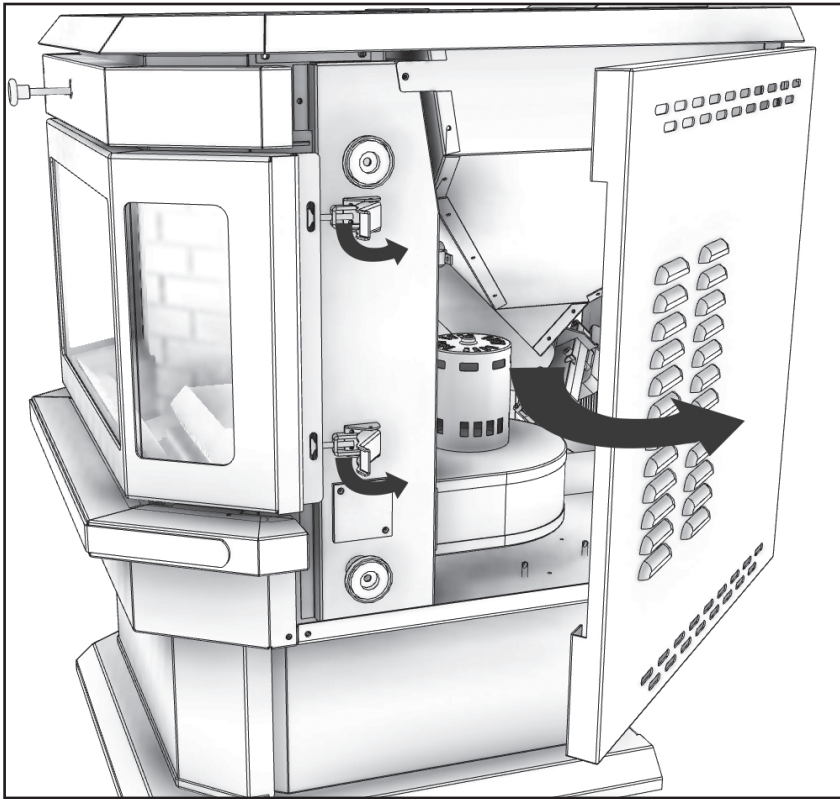


LOCATING THE RIGHT AND LEFT SIDE CLEANOUTS (CLEAN THOROUGHLY)



LOCATING THE FRONT CLEANOUTS (CLEAN ANNUALLY)

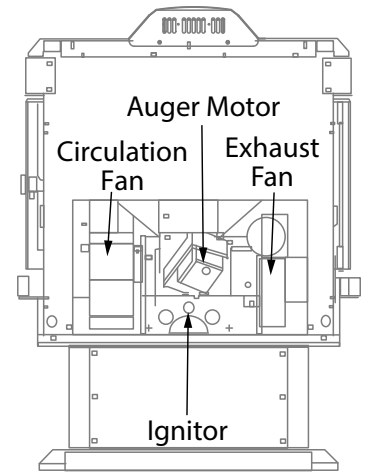
1. Remove the front glass by releasing the two latches attaching it to the unit. They are located behind the right side panel.
2. Remove the two side brick panels.
3. Remove the two interior side panels.



FANS

DANGER: RISK OF ELECTRIC SHOCK. DISCONNECT POWER BEFORE SERVICING UNIT

Over time ash or dust may accumulate on the blades of the circulation & exhaust fans. The fans should be inspected, periodically, and if any accumulation is present vacuumed clean as the ash or dust can impede the fans performance. It is also possible that creosote may accumulate in the exhaust fan therefore, this must be brushed clean. The exhaust fan can be found behind the left side panel (facing the front of the heater), the circulation fan can be found behind the right side panel. To access the igniter, remove the air inlet tube and cover (2 screws). The auger motor is located in the center rear of the unit. Note: When cleaning, take care not to damage the fan blades.



CHECK AND CLEAN THE HOPPER

Check the hopper periodically to determine if there is any sawdust (fines) that is building up in the feed system or pellets that are sticking to the hopper surface. Clean as needed.

DOOR AND GLASS GASKETS

Inspect the main door and glass window gaskets periodically. The main door may need to be removed to have frayed, broken, or compacted gaskets replaced by your authorized dealer. This unit's door uses a 3/4" diameter rope gasket.

BLOWER MOTORS

Clean the air holes on the motors of both the exhaust and distribution blowers annually. Remove the exhaust blower from the exhaust duct and clean out the internal fan blades as part of your fall start-up.

PAINTED SURFACES

Painted surfaces may be wiped down with a damp cloth. If scratches appear, or you wish to renew your paint, contact your authorized dealer to obtain a can of suitable high-temperature paint.

GLASS - CLEANING, REMOVAL AND REPLACEMENT OF BROKEN DOOR GLASS

Cleaning - We recommend using a high quality glass cleaner. Should a buildup of creosote or carbon accumulate, you may wish to use 000 steel wool and water to clean the glass. DO NOT use abrasive cleaners. DO NOT perform the cleaning while the glass is HOT. Do not attempt to operate the unit with broken glass. Replacement glass may be purchased from your U.S. Stove dealer. If glass is broken, follow these removal procedures:

1. Once the heater has cooled, remove the door from the heater.
2. Remove the rope gasket from the door followed by the eight(8) nuts holding the glass retainer in place.
3. While wearing gloves, carefully remove any loose pieces of glass from the door frame.
4. Replace the glass and gasket, making sure the gasket runs the full perimeter of the glass edge.
5. Re-install the retainer and eight nuts and rope gasket using high temperature silicone to adhere the gasket to the door.
6. Never use substitute materials for the glass.

DO NOT abuse the door glass by striking, slamming or similar trauma. Do not operate the stove with the glass removed, cracked or broken.

FALL START UP

Prior to starting the first fire of the heating season, check the outside area around the exhaust and air intake systems for obstructions. Clean and remove any fly ash from the exhaust venting system. Clean any screens on the exhaust system and on the outside air intake pipe. Turn all of the controls on and make sure that they are working properly. This is also a good time to give the entire stove a good cleaning throughout.

SPRING SHUTDOWN

After the last burn in the spring, remove any remaining pellets from the hopper and the auger feed system. Scoop out the pellets and then run the auger until the hopper is empty and pellets stop flowing (this can be done by pressing the "ON" button with the viewing door open). Vacuum out the hopper. Thoroughly clean the burn pot, and firebox. It may be desirable to spray the inside of the cleaned hopper with an aerosol silicone spray if your stove is in a high humidity area. The exhaust system should be thoroughly cleaned.

MAINTENANCE SCHEDULE

Use the following as a guide under average use conditions. Gaskets around door and door glass should be inspected and repaired or replaced when necessary.

	Daily	Weekly	Monthly or as needed
Burn Pot	Stirred	Empty	
Combustion Chamber		Brushed	
Ashes		Check	Empty
Interior Chambers			Vacuumed
Combustion Blower Blades			Vacuumed / Brushed
Convection Blower			Vacuumed / Brushed
Vent System			Cleaned
Gaskets			Inspected
Glass			Wiped/Cleaned
Hopper (end of season)			Emptied and vacuumed
Heat Exchanger Tubes			Bi-Weekly

ASH REMOVAL

Remove the ashes periodically to avoid unnecessary ash build up. Ash removal is as follows:

1. Let the fire burn out and allow the unit cool to room temperature.
2. Clean the heat exchanger tubes (see Heat Exchanger Cleaning section) – Make sure Pellet Stove is at room temperature before touching.
3. Open the ash pan door, remove the burn pot and empty it into a metal container.
4. Vacuum to remove ashes from the firebox.
5. BE SURE THAT ASHES ARE COOL TO THE TOUCH BEFORE VACUUMING. Some vacuum cleaners may leak ash into the room. Your vacuum cleaner should have a special filter or bag to eliminate leakage.
6. Remove ash pan and dispose of ashes into a metal container.
7. Reinstall ash pan.
8. Reinstall burn pot.

Attention: This wood heater needs periodic inspection and repair for proper operation. It is against federal regulations to operate this wood heater in a manner inconsistent with operating instructions in this manual.
--

DISPOSAL OF ASHES

Ashes should be placed in a steel metal container with a tight fitting lid. The closed container of ashes should be placed on a non-combustible floor or on the ground well away from all combustible materials, pending final disposal. If the ashes are disposed of by burial in soil or otherwise locally dispersed, they should be retained in the closed container until all cinders have been thoroughly cooled. Do not place other waste in the same container.

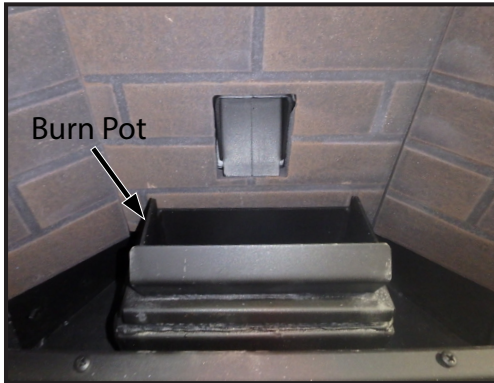
SMOKE AND CO MONITORS

Burning wood naturally produces smoke and carbon monoxide(CO) emissions. CO is a poisonous gas when exposed to elevated concentrations for extended periods of time. While the modern combustion systems in heaters drastically reduce the amount of CO emitted out the chimney, exposure to the gases in closed or confined areas can be dangerous. Make sure your stove gaskets and chimney joints are in good working order and sealing properly to ensure unintended exposure. It is recommended that you use both smoke and CO monitors in areas having the potential to generate CO.

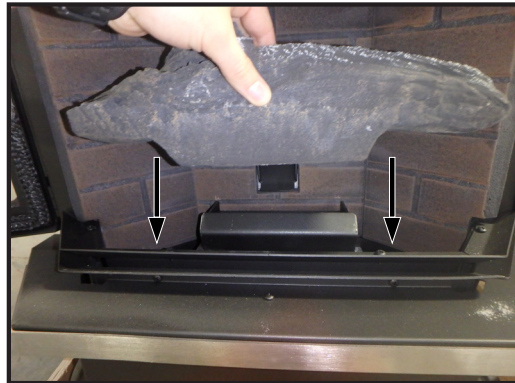
Decorative Log Placement

Your decorative logs should come in place, however if this is not the case the following steps depicts the correct location.

STEP 1
Locate the Burn Pot.



STEP 2
Place log into correct position.



Above are the decorative logs in there correct location.

Trouble Shooting Guide

When your stove acts out of the ordinary, the first reaction is to call for help. This guide may save time and money by enabling you to solve simple problems yourself. Problems encountered are often the result of only five factors: 1) poor fuel; 2) poor operation or maintenance; 3) poor installation; 4) component failure; 5) factory defect. You can usually solve those problems related to 1 and 2. Your dealer can solve problems relating to 3, 4 and 5. For the sake of troubleshooting and using this guide to assist, you should look at your heat level setting to see which light is flashing.

- Disconnect the power cord before performing any maintenance! NOTE: Turning the ON/OFF Switch to "OFF" does not disconnect all power to the electrical components of the stove.
- Never try to repair or replace any part of the stove unless instructions for doing so are given in this manual. All other work should be done by a trained technician.

Display is Flashing "E1"	
Possible Causes	Possible Remedies: (Unplug stove first when possible)
The convection blower is overheating and tripping the internal temperature shutoff.	Clean any dust off of the windings and fan blade. If oiling the blower does not help, the blower may be bad.
The stove is being left on the highest setting for extended periods of time.	If operating the heater on the highest heat setting, the room temperature could increase enough and lead to potential overheating situations. If this happens try operating at a lower heat setting.
Fuel other than wood pellets is being burned in the stove.	This pellet stove is designed and tested to use wood pellets. Check for signs of fuel other than wood pellets. No other types of fuel have been approved for this pellet stove. If there are signs of other types of fuel being used, stop using them immediately.
Power surge or brown out situation.	A power surge, spike, or voltage drop could cause the high limit switch to trip. Check to see if a surge protector is being used on the stove. If not, recommend one to the customer.
High Limit Switch is malfunctioning.	If the other items check out OK, replace the high limit switch.

Display is Flashing "E2"	
Possible Causes	Possible Remedies: (Unplug stove first when possible)
Airflow switch hose or stove attachment pipes for hose are blocked.	Unhook air hose from the air switch and blow through it. If air flows freely, the hose and tube are fine. If air will not flow through the hose, use a wire coat hanger to clear the blockage.
The air inlet, burnpot, interior combustion air chambers, combustion blower, or exhaust pipe are blocked with ash or foreign material.	Follow all cleaning procedures in the maintenance section of the owner's manual.
The firebox is not properly sealed.	Make sure the door is closed and that the gasket is in good shape.
Vent pipe is incorrectly installed.	Check to make sure vent pipe installation meets criteria in owner's manual.
The airflow switch wire connections are bad.	Check the connectors that attach the gray wires to the air switch.
Combustion blower failure.	With the stove on, check to see if the combustion blower is running. If it is not, you will need to check for power going to the combustion blower. It should be a full current. If there is power, the blower is bad. If there is not, see #8.
Control board not sending power to combustion blower.	If there is no current going to the combustion blower, check all wire connections. If all wires are properly connected, you have a bad control board.
Control board not sending power to air switch.	There should be a 5-volt current (approximately) going to the air switch after the stove has been on for 30 seconds.

Air switch has failed.	To test the air switch, you will need to disconnect the air hose from the body of the stove. With the other end still attached to the air switch, very gently suck on the loose end of the hose (you may want to remove the hose entirely off the stove and the air switch first and make sure it is clear). If you hear a click, the air switch is working. BE CAREFUL TOO MUCH VACUUM CAN DAMAGE THE AIR SWITCH.
------------------------	--

Display is Flashing "E3"	
Possible Causes	Possible Remedies: (Unplug stove first when possible)
The hopper is out of pellets	Refill the hopper.
The air dampener is too far open for a low feed setting	If on the low setting, you may need to close the dampener all the way.
The burnpot holes are blocked.	Remove the burnpot and thoroughly clean it.
The air inlet, the interior chambers, or exhaust system has a partial blockage.	Follow all cleaning procedures in the maintenance section of the owner's manual
The hopper safety switch has failed or hopper is open.	When operating the unit, be sure the hopper lid is closed so that the hopper safety switch will activate. Check the wires leading from the hopper safety switch to the control panel and auger motor for secure connections. Use a continuity tester to test the hopper safety switch; replace if necessary.
The auger shaft is jammed.	"Start by emptying the hopper. Then remove the auger motor by removing the auger pin, then remove the two bolts that hold the auger bracket to the auger tube. The auger bracket will now be able to be removed from the auger tube. Remove the two bolts on the side of the auger tube to remove the lower bearing of the auger. Pull the auger out of the tube to free the jam.
The auger motor has failed.	Remove the auger motor from the auger shaft and try to run the unit. If the motor will turn the shaft is jammed on something. If the motor will not turn, the motor is bad.
The Proof of Fire (POF) thermomdisc has malfunctioned.	Temporarily bypass the POF thermomdisc by disconnecting the two wires and connecting them with a short piece of wire. Then plug the stove back up. If the stove comes on and works, you need to replace the POF thermomdisc. This is for testing only. DO NOT LEAVE THE THERMODISC BYPASSED. Your blowers will never shut off and if the fire went out the auger will continue to feed pellets until the hopper is empty if you leave the POF thermomdisc bypassed.
The control board is not sending power to the POF thermomdisc or other auger system components.	There should be a 5-volt (approximately) current going to the POF thermomdisc after the stove has been on for 10 minutes.

Display is Flashing "E4"	
Possible Causes	Possible Remedies: (Unplug stove first when possible)
The air inlet, burnpot, interior combustion air chambers, combustion blower, or exhaust pipe are blocked with ash or foreign material.	Follow all cleaning procedures in the maintenance section of the owner's manual.
The Proof of Fire (POF) thermomdisc has come unplugged	Check the (POF) thermomdisc to see if the wires are connected properly.

The Proof of Fire (POF) thermodisc has malfunctioned.	Temporarily bypass the POF thermodisc by disconnecting the two wires and connecting them with a short piece of wire. Then plug the stove back up. If the stove comes on and works, you need to replace the POF thermodisc. This is for testing only. DO NOT LEAVE THE THERMODISC BYPASSED. Your blowers will never shut off and if the fire went out the auger will continue to feed pellets until the hopper is empty if you leave the POF thermodisc bypassed.
The hopper is out of Pellets.	Refill the hopper.
The hopper safety switch has failed or hopper is open.	When operating the unit, be sure the hopper lid is closed so that the hopper safety switch will activate. Check the wires leading from the hopper safety switch to the control panel and auger motor for secure connections. Use a continuity tester to test the hopper safety switch; replace if necessary.
The auger shaft is jammed.	Start by emptying the hopper. Then remove the auger motor by removing the auger pin. Remove the auger shaft inspection plate in the hopper so that you can see the auger shaft. Gently lift the auger shaft straight up so that the end of the auger shaft comes up out of the bottom auger bushing. Next, remove the two nuts that hold the top auger biscuit in. Then rotate the bottom end of the auger shaft up towards you until you can lift the shaft out of the stove. After you have removed the shaft, inspect it for bent flights, burrs, or broken welds. Remove any foreign material that might have caused the jam. Also, check the auger tube for signs of damage such as burrs, rough spots, or grooves cut into the metal that could have caused a jam.
The auger motor has failed.	Remove the auger motor from the auger shaft and try to run the unit. If the motor will turn the shaft is jammed on something. If the motor will not turn, the motor is bad.

Display is Flashing "E5"	
Possible Causes	Possible Remedies: (Unplug stove first when possible)
The stove automatically flashes "E5" when turned on	The T-stat sensor has come unplugged from the control board. Check to see if the sensor is unplugged. If the sensor is not unplugged then the sensor is damaged or has a short. If the sensor is damaged or has a short it will need to be replaced.

Stove Feeds Pellets, But Will Not Ignite	
Possible Causes	Possible Remedies: (Unplug stove first when possible)
Air damper open too far for ignition.	Push the air damper in closer to the side of the stove for startup. In some situations it may be necessary to have the damper completely closed for ignition to take place. After there is a flame, the damper can then be adjusted for the desired feed setting.
Blockage in igniter tube or inlet for igniter tube.	Find the igniter housing on the backside of the firewall. The air intake hole is a small hole located on bottom side of the housing. Make sure it is clear. Also, look from the front of the stove to make sure there is not any debris around the igniter element inside of the igniter housing.
The burnpot is not pushed completely to the rear of the firebox.	Make sure that the air intake collar on the burnpot is touching the rear wall of the firebox.
Bad igniter element.	Put power directly to the igniter element. Watch the tip of the igniter from the front of the stove. After about 2 minutes the tip should glow. If it does not, the element is bad.
The control board is not sending power to the igniter.	Check the voltage going to the igniter during startup. It should be a full current. If the voltage is lower than full current, check the wiring. If the wiring checks out good, the board is bad.

Smoke Smell Coming Back Into The Home	
Possible Causes	Possible Remedies: (Unplug stove first when possible)
There is a leak in the vent pipe system.	Inspect all vent pipe connections. Make sure they are sealed with RTV silicone that has a temperature rating on 500 degree F or higher. Also, seal joints with UL-181-AP foil tape. Also, make sure the square to round adapter piece on the combustion blower has been properly sealed with the same RTV.
The gasket on the combustion blower has gone bad.	Inspect both gaskets on the combustion blower to make sure they are in good shape.
Because it is a wood-burning device, your pellet heater may emit a faint wood-burning odor. If this increases beyond normal, or if you notice an unusual soot build-up on walls or furniture, check your exhaust system carefully for leaks. All joints should be properly sealed. Also clean your stove, following instructions in "MAINTENANCE". If problem persists, contact your dealer.	

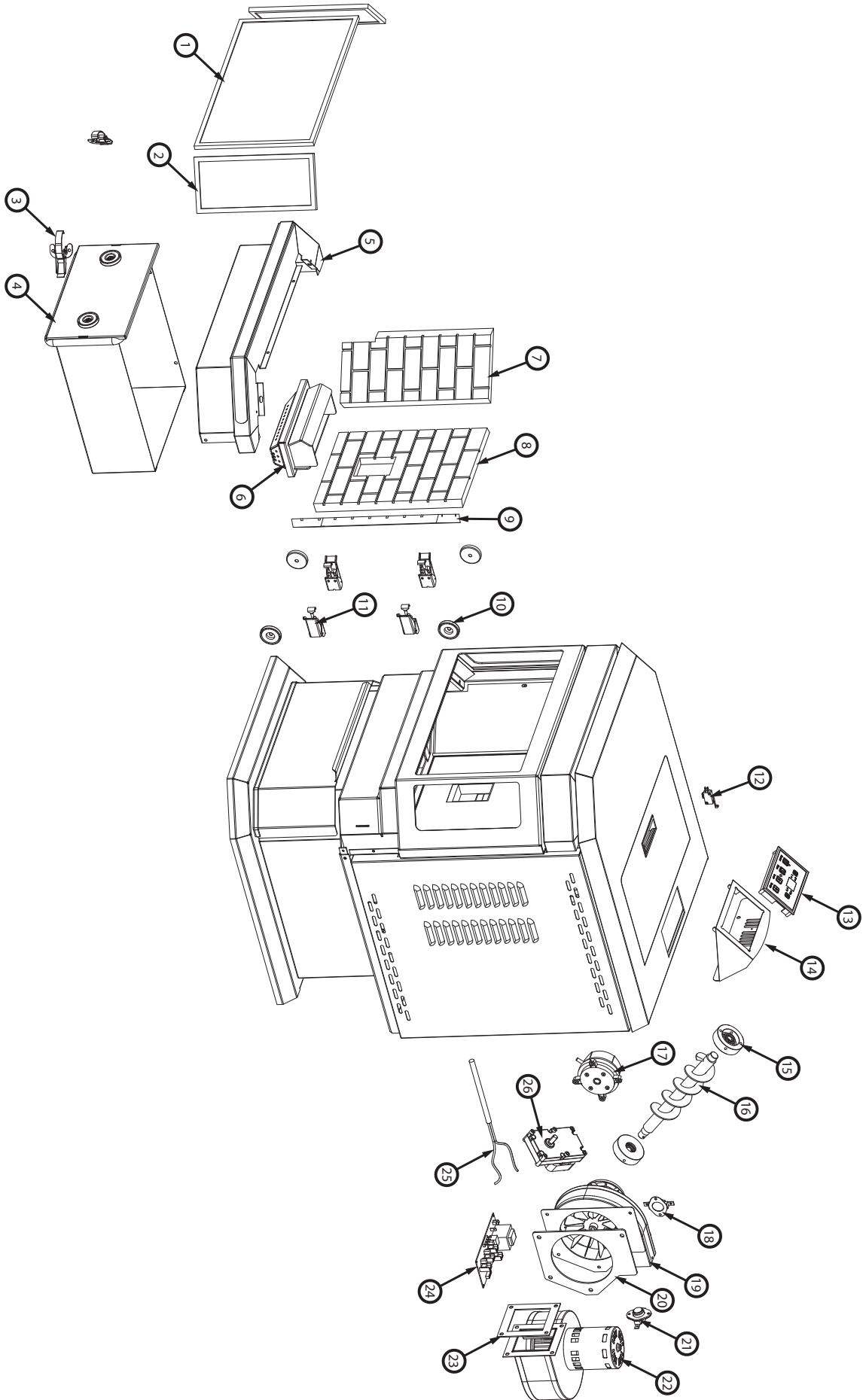
Stove will not feed pellets, but fuel feed light comes on as designed	
Possible Causes	Possible Remedies: (Unplug stove first when possible)
High limit switch has tripped or is defective.	Wait for the stove to cool for about 30 - 45 minutes. Locate the High Limit thermdisc and press the reset button on the back of it. If the heater will not restart, check the thermdisc to see if it's bad. To test if the thermdisc is bad, you can bypass it as described previously for the POF thermdisc.
Bad Auger Motor.	Remove the auger motor from the auger shaft and try to run the unit. If the motor will turn the shaft is jammed on something. If the motor will not turn, the motor is bad.
Auger Jam.	Start by emptying the hopper. Then remove the auger motor by removing the auger pin. Remove the auger shaft inspection plate in the hopper so that you can see the auger shaft. Gently lift the auger shaft straight up so that the end of the auger shaft comes up out of the bottom auger bushing. Next, remove the two nuts that hold the top auger biscuit in. Then rotate the bottom end of the auger shaft up towards you until you can lift the shaft out of the stove. After you have removed the shaft, inspect it for bent flights, burrs, or broken welds. Remove any foreign material that might have caused the jam. Also, check the auger tube for signs of damage such as burrs, rough spots, or grooves cut into the metal that could have caused a jam.
Loose wire or connector.	Check all wires and connectors that connector to the auger motor, high limit switch, and the Molex connector.
Bad control board.	If the fuse is good, the wires and connectors check out good, and the high limit switch did not trip, test for power going to the auger motor. If there is not a full current going to the auger motor when the fuel feed light is on, you have a bad control board.

Convection Blower Shuts Off And Comes Back On	
Possible Causes	Possible Remedies: (Unplug stove first when possible)
The convection blower is overheating and tripping the internal temperature shutoff.	Clean any dust off of the windings and fan blades. If cleaning the blower does not help, the blower may be bad.
Circuit board malfunction.	Test the current going to the convection blower. If there is power being sent to the blower when it is shut off, then the control board is fine. If there is NOT power being sent to the blower when it shuts off during operation, then you have a bad control board.

High limit switch keeps tripping	
Possible Causes	Possible Remedies: (Unplug stove first when possible)
The convection blower is overheating and tripping the internal temperature shutoff.	Clean any dust off of the windings and fan blades. If oiling the blower does not help, the blower may be bad.
The stove is being left on the highest setting for extended periods of time.	If operating the heater on the highest heat setting, the room temperature could increase enough and lead to potential overheating situations. If this happens, try operating at a lower heat setting.
Fuel other than wood pellets is being burned in the stove.	This pellet stove is designed and tested to use wood pellets. Check for signs of fuel other than wood pellets. No other types of fuel have been approved for this pellet stove. If there are signs of other types of fuel being used, stop using them immediately.
Power surge or brown out situation.	A power surge, spike, or voltage drop could cause the high limit switch to trip. Check to see if a surge protector is being used on the stove. If not, recommend one to the consumer.
High limit switch is malfunctioning.	If the other items check out OK, replace the high limit switch.

<ul style="list-style-type: none"> • GLASS "SOOT'S" UP AT A VERY FAST RATE • FLAME IS LAZY, DARK, AND HAS BLACK TIPS • AFTER STOVE HAS BEEN ON FOR A WHILE, THE BURNPOT OVERFILLS 	
Possible Causes	Possible Remedies: (Unplug stove first when possible)
Stove or vent pipe is dirty, which restricts airflow through the burnpot.	Follow all cleaning procedure in the maintenance section of the owner's manual.
Vent pipe installed improperly.	Check to make sure the vent pipe has been installed according to the criteria in the owner's manual.
Air damper is set too far in (closed) for a higher setting.	Pull the damper knob farther out away from the side of the stove and try to burn the unit again.
Burnpot holes are blocked.	Remove the burnpot and thoroughly clean it.
Air damper is broken.	Visually inspect the damper assembly. Make sure the damper plate is attached to the damper rod. When the damper rod is moved the plate should move with it.
Blockage in air intake pipe.	Visually inspect the air intake pipe that leads into the burnpot for foreign material.
Combustion blower is not spinning fast enough.	Test the RPM on the blower after the blades have been cleaned. The RPM should be approximately 3000 RPM.
Bad Pellets. (Applies to GLASS "SOOT'S" UP AT A VERY FAST RATE Only)	The brand of pellets or the batch of pellets that are being used may be of poor quality. If possible, try a different brand of pellets. You might also want to try a brand that is made from a different type of wood (softwood vs. hardwood). Different woods have different characteristics when being burned.

Parts List

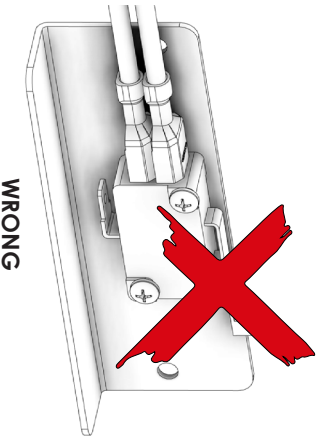
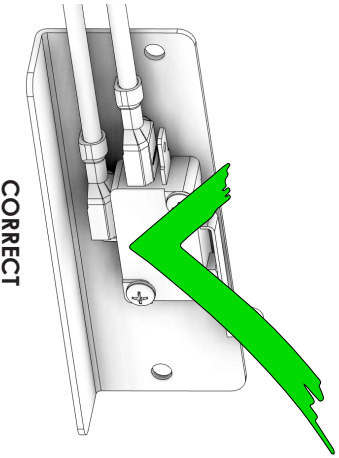
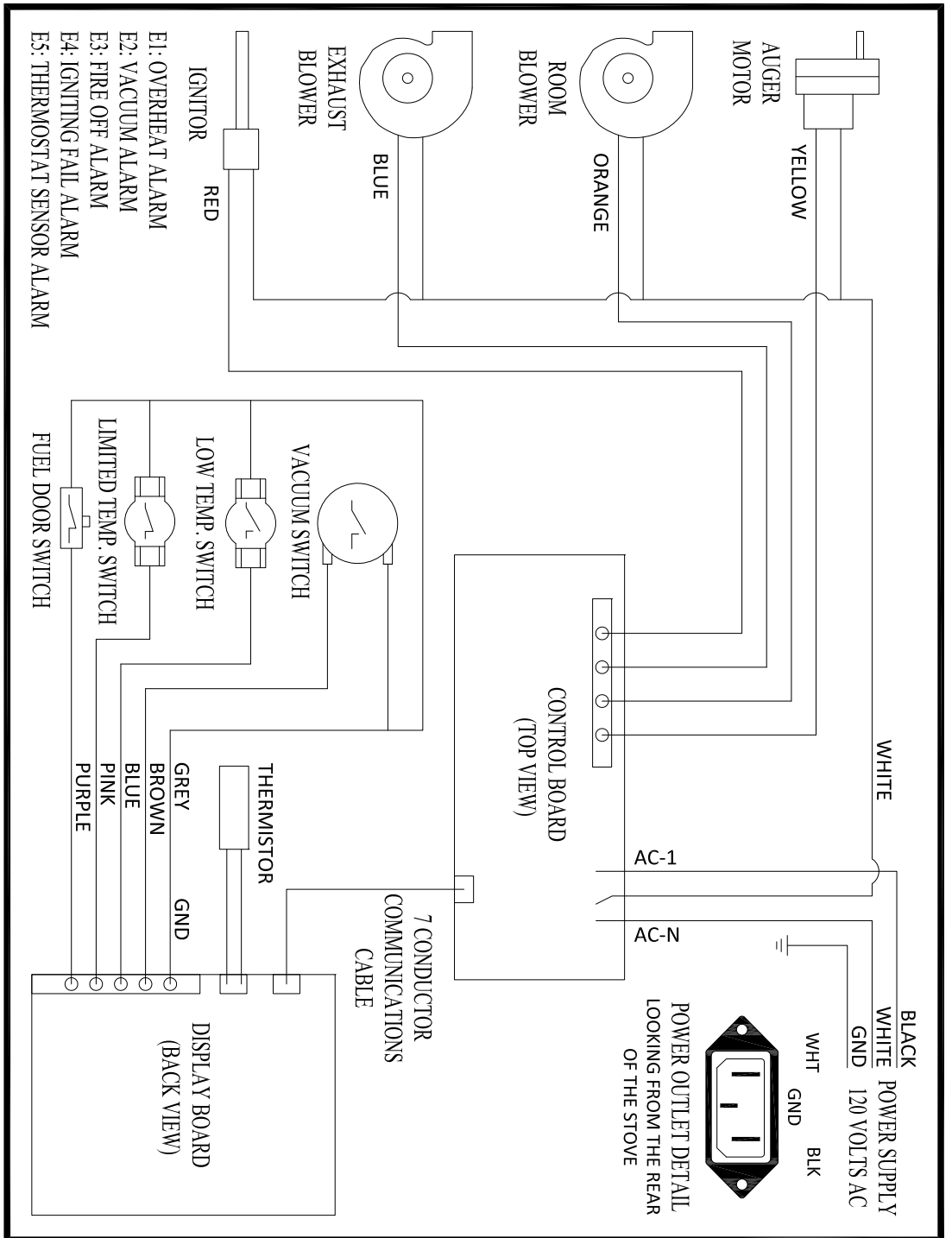


Parts List

Key	Part#	Description	Qty
1	88161	Glass w/Gasket, Center	1
2	88162	Glass w/Gasket, Side	2
3	891997	Latch, Ash Pan	2
4	891996	Ash Pan	1
5	892037	Hearth Trim	1
6	891994	Burn Pot	1
7	88165	Brick Panel - Right	1
8	88163	Brick Panel - Center	1
9	88164	Brick Panel - Left	1
10	891995	Magnet	4
11	891540	Latch, Door	4
12	80491	Micro Switch	1
13	80676	PCB, Circuit Board	1
14	892199	Housing, PCBA Controller	1
15	891998	Bushing	2
16	891999	Auger	1
17	80549	Pressure Switch	1
18	80599	Switch, Low-Temp	1
19	80602	Blower, Exhaust	1
20	88166	Gasket, Exhaust Blower	1
21	80601	Switch, Hi-Temp	1
22	80622	Blower, Convection	1
23	88167	Gasket, Convection Blower	1
24	80631	PCBA Board	1
25	80604	Igniter	1
26	80606	Motor, Auger	1
*	892064	Decorative Log (not shown)	1

IN ORDER TO MAINTAIN WARRANTY, COMPONENTS MUST BE REPLACED USING USSC PARTS PURCHASED THROUGH YOUR DEALER OR DIRECTLY FROM USSC. USE OF THIRD PARTY COMPONENTS WILL VOID THE WARRANTY.

Wiring Diagram



Ensure the wires are connected to the bottom two prongs of the hopper switch as shown.

Notes

Service Record

It is recommended that your heating system is serviced regularly and that the appropriate Service Interval Record is completed.

SERVICE PROVIDER

Before completing the appropriate Service Record below, please ensure you have carried out the service as described in the manufacturer's instructions. Always use the manufacturer's specified spare part when replacement is necessary.

Service 01	Date: _____
Engineer Name: _____	
License No.: _____	
Company: _____	
Telephone No.: _____	
Stove Inspected: <input type="checkbox"/>	Chimney Swept: <input type="checkbox"/>
Items Replaced: _____	

Service 02	Date: _____
Engineer Name: _____	
License No.: _____	
Company: _____	
Telephone No.: _____	
Stove Inspected: <input type="checkbox"/>	Chimney Swept: <input type="checkbox"/>
Items Replaced: _____	

Service 03	Date: _____
Engineer Name: _____	
License No.: _____	
Company: _____	
Telephone No.: _____	
Stove Inspected: <input type="checkbox"/>	Chimney Swept: <input type="checkbox"/>
Items Replaced: _____	

Service 04	Date: _____
Engineer Name: _____	
License No.: _____	
Company: _____	
Telephone No.: _____	
Stove Inspected: <input type="checkbox"/>	Chimney Swept: <input type="checkbox"/>
Items Replaced: _____	

Service 05	Date: _____
Engineer Name: _____	
License No.: _____	
Company: _____	
Telephone No.: _____	
Stove Inspected: <input type="checkbox"/>	Chimney Swept: <input type="checkbox"/>
Items Replaced: _____	

Service 06	Date: _____
Engineer Name: _____	
License No.: _____	
Company: _____	
Telephone No.: _____	
Stove Inspected: <input type="checkbox"/>	Chimney Swept: <input type="checkbox"/>
Items Replaced: _____	

Service 07	Date: _____
Engineer Name: _____	
License No.: _____	
Company: _____	
Telephone No.: _____	
Stove Inspected: <input type="checkbox"/>	Chimney Swept: <input type="checkbox"/>
Items Replaced: _____	

Service 08	Date: _____
Engineer Name: _____	
License No.: _____	
Company: _____	
Telephone No.: _____	
Stove Inspected: <input type="checkbox"/>	Chimney Swept: <input type="checkbox"/>
Items Replaced: _____	

How To Order Repair Parts

This manual will help you obtain efficient, dependable service from your heater, and enable you to order repair parts correctly.

Keep this manual in a safe place for future reference.

When writing, always give the full model number which is on the nameplate attached to the heater.

When ordering repair parts, always give the following information as shown in this list:

1. The part number _____
2. The part description _____
3. The model number _____
4. The serial number _____

Comment Commander Des Pièces De Rechange

Ce manuel vous aidera à obtenir un service fiable et efficace de votre appareil de chauffage, et vous permettre de commander correctement les pièces de rechange.

Conservez ce manuel dans un endroit sûr pour référence future.

Lors de l'écriture, toujours donner le numéro de modèle complet qui se trouve sur la plaque signalétique fixée sur l'appareil de chauffage.

Lors de la commande des pièces de rechange, fournir les informations suivantes comme indiqué dans cette liste:

1. Le numéro de pièce _____
2. La description de la pièce _____
3. Le numéro de modèle _____
4. Le numéro de série _____



United States Stove Company
227 Industrial Park Rd.,
South Pittsburg, TN 37380
PH: (800) 750-2723
www.usstove.com

Enregistrement De Service

Il est recommandé que votre système de chauffage est desservi régulièrement et que le Service Intervall enregistrement approprié est terminée.

FURNISSEUR DE SERVICES

Avant de terminer l'enregistrement de service approprié ci-dessous, s'il vous plaît vous assurer que vous avez effectué le service tel que décrit dans les instructions du fabricant. Toujours utiliser pièce de rechange indiquée par le fabricant lors de remplacement est nécessaire.

Service de 01

Date: _____

Nom de l'ingénieur: _____

N° de licence: _____

Compagnie: _____

N° de téléphone: _____

Poêle Inspecté: Cheminée balayée:

Articles Remplacé: _____

Service de 02

Date: _____

Nom de l'ingénieur: _____

N° de licence: _____

Compagnie: _____

N° de téléphone: _____

Poêle Inspecté: Cheminée balayée:

Articles Remplacé: _____

Service de 03

Date: _____

Nom de l'ingénieur: _____

N° de licence: _____

Compagnie: _____

N° de téléphone: _____

Poêle Inspecté: Cheminée balayée:

Articles Remplacé: _____

Service de 04

Date: _____

Nom de l'ingénieur: _____

N° de licence: _____

Compagnie: _____

N° de téléphone: _____

Poêle Inspecté: Cheminée balayée:

Articles Remplacé: _____

Service de 05

Date: _____

Nom de l'ingénieur: _____

N° de licence: _____

Compagnie: _____

N° de téléphone: _____

Poêle Inspecté: Cheminée balayée:

Articles Remplacé: _____

Service de 06

Date: _____

Nom de l'ingénieur: _____

N° de licence: _____

Compagnie: _____

N° de téléphone: _____

Poêle Inspecté: Cheminée balayée:

Articles Remplacé: _____

Service de 07

Date: _____

Nom de l'ingénieur: _____

N° de licence: _____

Compagnie: _____

N° de téléphone: _____

Poêle Inspecté: Cheminée balayée:

Articles Remplacé: _____

Service de 08

Date: _____

Nom de l'ingénieur: _____

N° de licence: _____

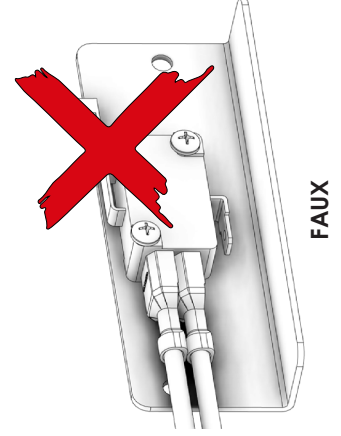
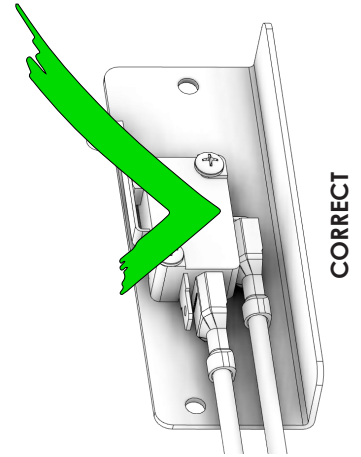
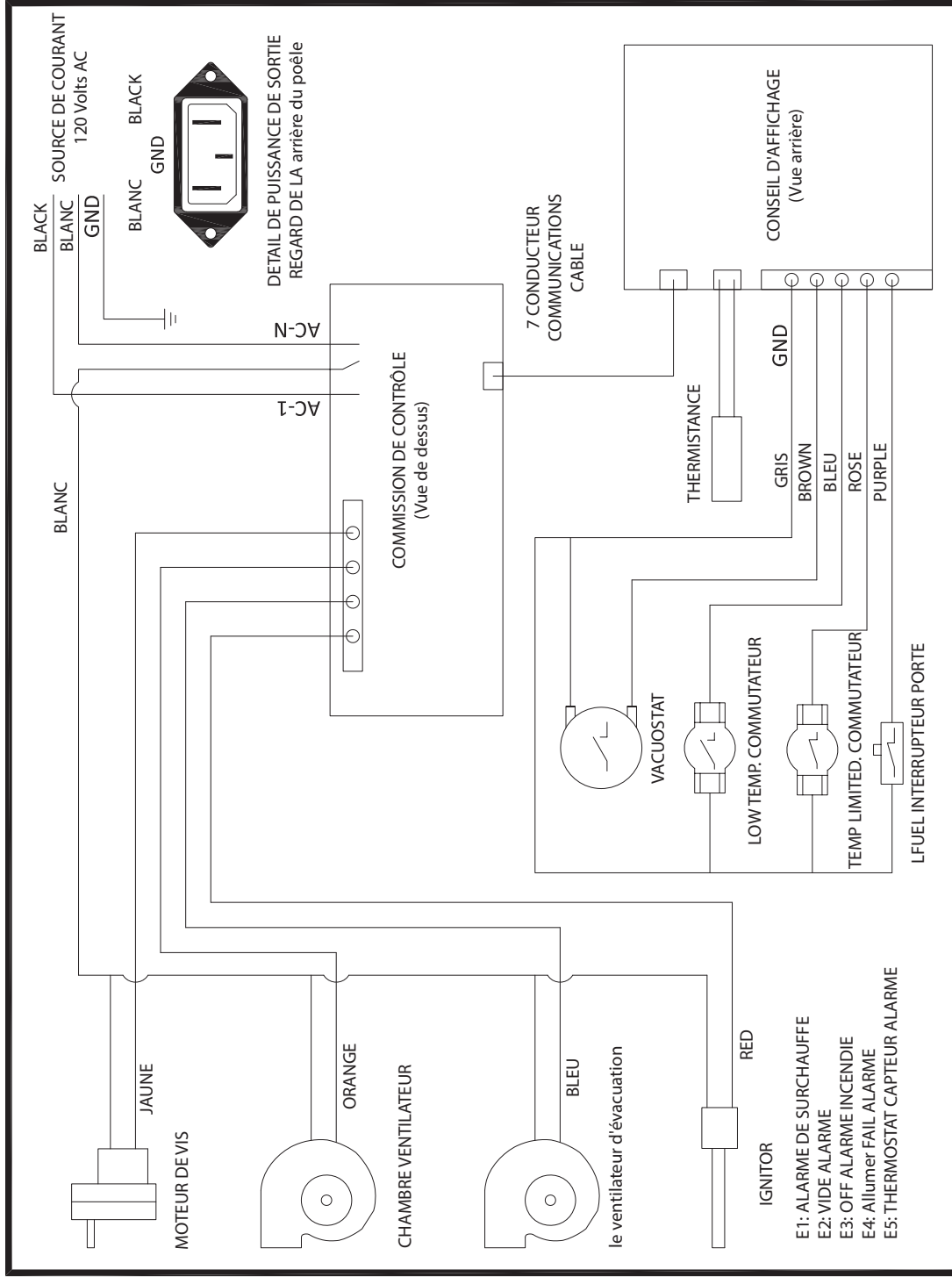
Compagnie: _____

N° de téléphone: _____

Poêle Inspecté: Cheminée balayée:

Articles Remplacé: _____

Schéma De Câblage



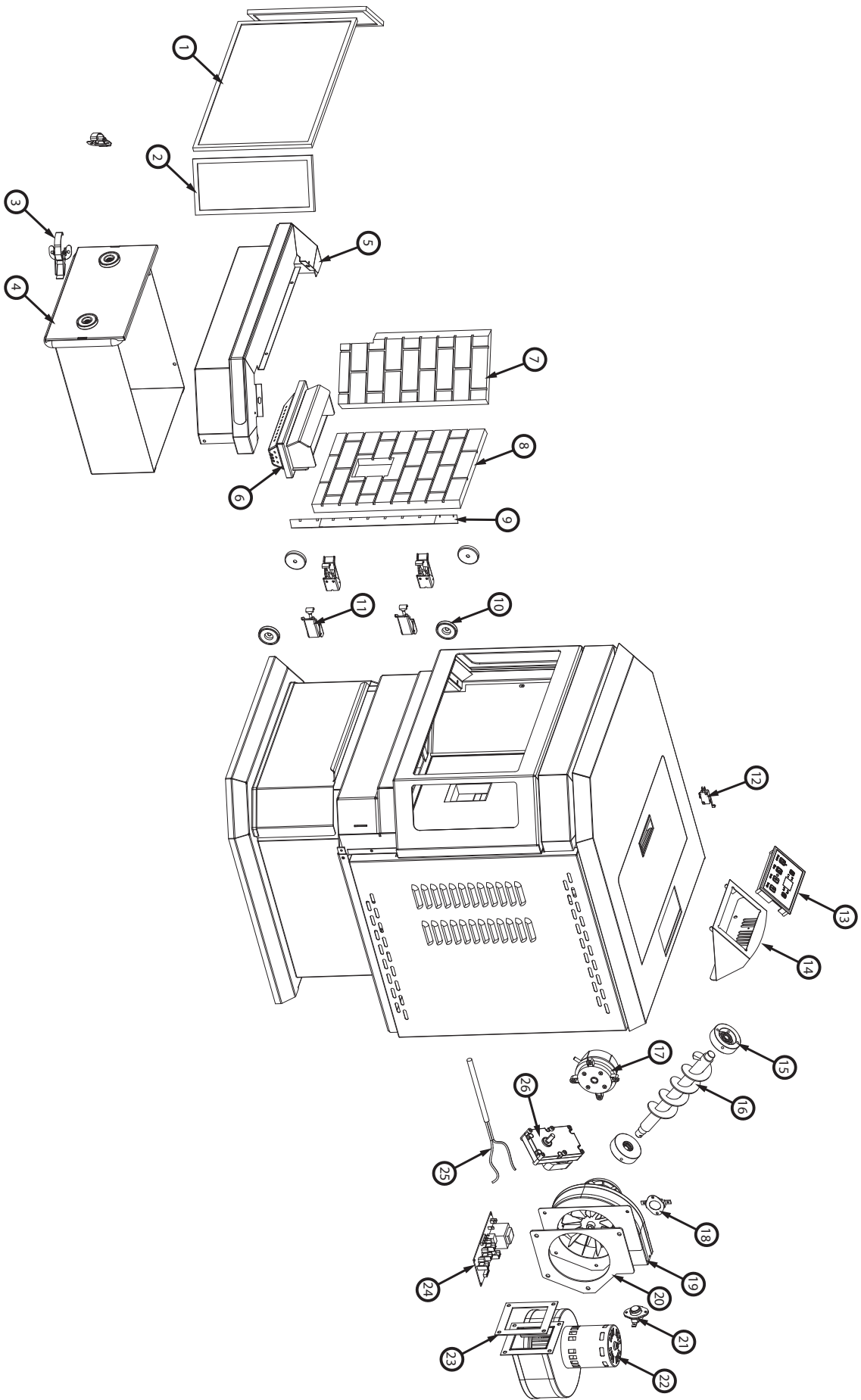
Assurez-vous que les fils sont connectés aux deux broches inférieures de l'interrupteur de la trémie, comme illustré.

Pièces De Remplacement

Clé	Partie#	La description	Qté
1	88161	Verre avec joint, centre	1
2	88162	Verre avec joint, côté	2
3	891997	Loquet, cendrier	2
4	891996	Cendrier	1
5	892037	Garniture de foyer	1
6	891994	Pot de combustion	1
7	88165	Panneau de brique - droite	1
8	88163	Panneau de brique - centre	1
9	88164	Panneau de brique - gauche	1
10	891995	Almant	4
11	891540	Loquet de porte	4
12	80491	Micro-interrupteur	1
13	80676	Circuit imprimé	1
14	892199	Boîtier, contrôleur PCBA	1
15	891998	Bague	2
16	891999	Tarîère	1
17	80549	Interrupteur à pression	1
18	80599	Interrupteur, basse température	1
19	80602	Ventilateur, échappement	1
20	88166	Joint, ventilateur d'échappement	1
21	80601	Commuteur, solut-temp	1
22	80622	Ventilateur, convection	1
23	88167	Joint, ventilateur de convection	1
24	80631	Carte PCBA	1
25	80604	Allumeur	1
26	80606	Moteur, tarîère	1
*	892064	Bûche décorative (non montée)	1

AFIN DE MAINTENIR LA GARANTIE, LES COMPOSANTS DOIVENT ÊTRE REMPLACÉS PAR DES PIÈCES D'ORIGINE DU FABRICANT ACHETÉS APRÈS DE VOTRE REVENDEUR OU DIRECTEMENT APRÈS DU FABRICANT DE L'APPAREIL. L'UTILISATION DE COMPOSANTS TIERS ANNULERA LA GARANTIE.

Pièces De Remplacement



Pressostat haute limite maintient déclenchement	Causes possibles Solutions possibles: (Débrancher réchaud premier si possible)	
Le ventilateur de convection est en surchauffe et le déclenchement de l'arrêt de la température interne. Nettoyez toute la poussière hors des enrroulements et des pales de ventilateur. De huiler le ventilateur ne fonctionne pas, le ventilateur peut être mauvais.	Si le fonctionnement du dispositif de chauffage sur le réglage de chaleur le plus élevé, la température ambiante pourrait augmenter assez et conduire à des situations de surchauffe potentielles. Si cela se produit, essayez de fonctionner à un réglage de chaleur plus faible.	Ce poêle à granulés est conçu et testé pour utiliser des granulés de bois. Vérifiez les signes de combustible autre que des granulés de bois. Aucun autre type de carburant ont été approuvés pour ce poêle à granulés. S'il y a des signes d'autres types de combustibles utilisés, cessez de les utiliser immédiatement.
Carburant autre que des granulés de bois est brûlé dans le poêle.	Une surtension, pointe ou chute de tension pourrait provoquer la fin de course haute de déclenchement. Vérifiez si un protecteur de surtension est utilisé sur la cuisinière. Si non, recommander un pour le consommateur.	Si les autres objets vérifier OK, remplacer l'interrupteur de fin de course haute.
Pressostat haute limite est défectueux.	Solutions possibles: • GLASS I'UP "de SOOT" AT RAPIDEMENT • FLAMME EST MOLLE, DARK, ET A TIPS NOIR • APRÈS POELE A ETÉ SUR UN TOUT, LA pot de combustion déborde	
Causes possibles	Solutions possibles: (Débrancher réchaud premier si possible)	
Le tuyau de poêle ou de ventilation est sale, ce qui limite le flux d'air à travers le pot de combustion.	Assurez-vous que le tuyau de ventilation a été installé selon les critères dans le manuel du propriétaire.	Suivez toutes les procédures de nettoyage dans la section maintenance du manuel du propriétaire.
Vent tuyau installé incorrectement.	Assurez-vous que le tuyau d'amortissement plus loin à partir du poêle et tirez sur le bouton d'amortissement pour un réglage plus élevé.	Trous pot de combustion sont bloqués.
Amortisseur de l'air est cassé.	Inspecter visuellement l'amortisseur. Assurez-vous que la plaque d'amortissement est fixée à la tige d'amortisseur. Lorsque la tige de l'amortisseur est déplacé la plaque doit se déplacer avec elle.	Retirez le pot de combustion et nettoyez soigneusement.
Obstruction dans le tuyau d'admission d'air.	Inspecter visuellement le tuyau d'admission d'air qui mène dans le pot de combustion pour les matières étrangères.	Combustion ventilateur ne tourne pas assez vite.
Combustion ventilateur ne tourne pas assez vite.	Testez le RPM sur le ventilateur après que les lames ont été nettoyées. Le RPM devrait être d'environ 3000 RPM.	La marque de pastilles ou le lot de pellets qui sont utilisés peuvent être de mauvaise qualité. Si possible, essayez une autre marque de pellets. Vous pouvez également essayer une marque qui est faite à partir d'un autre type de bois (résineux vs feuillus). Différents bois ont des caractéristiques différentes lorsqu'il est brûlé.
Bad Pellets. (Valable pour GLASS I'UP "de SOOT" AT RAPIDEMENT seulement)		

FUMÉE ODEUR REVENANT À LA MAISON

Causes possibles	Solutions possibles: (Débranchez réchaud premier si possible)
Il y a une fuite dans le système de tuyau d'évent.	Inspectez tous les raccords de tuyauterie de ventilation. Assurez-vous qu'ils sont scellés avec du silicone RTV qui a une cote de température sur 500 degrés F ou plus. En outre, sceller les joints avec du ruban métallique UL-181-AP. Aussi, assurez-vous de la place pour arrondir pièce d'adaptation sur le ventilateur de combustion a été correctement scellé avec le même RTV.
Le joint d'étanchéité sur le ventilateur de combustion a mal tourné.	Inspecter les deux joints d'étanchéité sur le ventilateur de combustion pour vous assurer qu'ils sont en bonne forme.
Parce qu'il est un appareil à bois, votre poêle à granulés peut émettre une odeur de bois léger. Si cela augmente au-delà de la normale, ou si vous remarquez une accumulation de suie inhabituelle sur les murs ou les meubles, vérifiez soigneusement votre système d'échappement pour les fuites. Tous les joints doivent être correctement scellés. Aussi nettoyer votre poêle, suivant les instructions de "MAINTENANCE". Si le problème persiste, contactez votre revendeur.	

CONVECTION SOUFFLEUR SE ÉTEINT ET REVIENT SUR	
Causes possibles	Solutions possibles: (Débranchez réchaud premier si possible)
Le ventilateur de convection est en surchauffe et le déclenchement de l'arrêt de la température interne.	Nettoyez toute la poussière hors des enrroulements et des pales de ventilateur. Si le nettoyage du ventilateur ne fonctionne pas, le ventilateur peut être mauvais.
Circuit board dysfonctionnement.	Testez le courant alimentant le ventilateur de convection. Si l'alimentation est très bien. S'il n'y a pas le pouvoir d'être envoyé au ventilateur quand il était envoyé au ventilateur quand il est éteint, le panneau de contrôle est très bien. S'il n'y a pas le pouvoir d'être envoyé au ventilateur quand il éteint pendant le fonctionnement, alors vous avez une mauvaise carte de contrôle.

POËLE NE SERA PAS NOURRIR GRANULES MAIS ALIMENTATION ESSENCE allume AS CONÇU	
Causes possibles	Solutions possibles: (Débranchez réchaud premier si possible)
Pressostat haute limite a déclenché ou est défectueux.	Attendez que le poêle refroidir pendant environ 30 - 45 minutes. Localisez le thermostat High Limit et appuyez sur le bouton de réinitialisation à l'arrière de celui-ci. Si l'appareil ne redémarre pas, vérifiez le thermostatique pour voir si elle est mauvaise. Pour tester si le thermostatique est mauvais, vous pouvez le contourner comme décrit précédemment pour le thermostatique POF.
Moteur de la vis Bad.	Réglez le moteur de la vis de l'arbre de vis sans fin et d'essayer de faire fonctionner l'unité. Si le moteur va tourner l'arbre est coincé sur quelque chose. Si le moteur ne tourne pas, le moteur est mauvais.

Confiture Auger.	Commencez par vider la trémie. Retirez ensuite le moteur de la vis en retirant la goupille de la tarrière. Retirez la plaque d'inspection de l'arbre de vis sans fin dans la trémie de sorte que vous pouvez voir l'arbre de vis sans fin. Soulevez délicatement l'arbre de vis sans fin vers le haut de sorte que l'extrémité de l'arbre de la tarrière monte de la tarrière douille inférieure. Ensuite, retirez les deux écrous qui retiennent le top biscuit tarrière. Tournez l'extrémité inférieure de l'arbre de la vis sans fin vers vous jusqu'à ce que vous pouvez soulever l'arbre hors du poêle. Après avoir retiré l'arbre, l'inspecter pour des vis pliés, les bavures ou les soudures cassées. Retirez toute matière étrangère qui pourrait avoir causé le bourrage. Vérifiez également le tube de la vis sans fin pour des signes de dommages tels que les bavures, les endroits rugueux, ou des rainures creusées dans le métal qui aurait pu causer un bourrage.
File ou connecteur desserré.	Vérifier tous les câbles et connecteurs connecteur du moteur de la vis sans fin, fin de course haute, et le connecteur Molex.
Bad carte de contrôle.	Si le fusible est bon, les fils et les connecteurs vérifier bon, et la fin de course haute n'a pas déclenché, test pour pouvoir aller au moteur de la vis. S'il n'y a pas un plein courant allant au moteur de la vis lorsque la lumière d'alimentation en carburant est allumé, vous avez une mauvaise carte de contrôle.

La trémie est hors de Pellets.	Remplir la trémie.
L'interrupteur de sécurité de la trémie a échoué ou trémie est ouvert.	Lors du fonctionnement de l'unité, vérifiez que le couvercle de la trémie est fermée de sorte que l'interrupteur de sécurité de la trémie active. Vérifiez les fils menant de l'interrupteur de sécurité de la trémie sur le panneau de commande et le moteur de la vis sans fin pour des connexions sécurisées. Utilisez un testeur de continuité pour tester l'interrupteur de sécurité de la trémie; remplacer si nécessaire.
L'arbre de la vis a échoué.	Retirez le moteur de la vis de l'arbre de vis sans fin et essayez de faire fonctionner l'unité. Si le moteur va tourner l'arbre est coincé sur quelque chose. Si le moteur ne tourne pas, le moteur est mauvais.
Affichage clignote "E5"	Solutions possibles: (Débrancher le chaud premier si possible)
Causes possibles	Solutions possibles: (Débrancher le chaud premier si possible)
Le poêle se déclenche automatiquement "E5" lorsqu'il est allumé	Le capteur T-stc est venu sous forme débranché le panneau de commande. Vérifiez si le capteur est débranché. Si le capteur ne soit pas endommagé ou a un court, il devra être remplacé.
POËLE ALIMENTE GRANULES MAIS PAS IGNITE	
Causes possibles	Solutions possibles: (Débrancher le chaud premier si possible)
Amortisseur trop ouvert pour l'allumage de l'air.	Poussez le volet d'air en plus près du côté du poêle pour le démarrage. Dans certaines situations, il peut être nécessaire d'avoir l'amortisseur complètement fermé pour l'allumage ait lieu. Après il y a une flamme, l'amortisseur peut alors être ajusté pour le réglage de l'alimentation souhaitée.
Obstruction dans tube allumeur ou du tube allumeur.	Trouver le bouchon d'allumage sur le côté arrière du pare-feu. L'orifice d'admission d'air est un petit trou situé sur le côté intérieur du bouchon. Assurez-vous qu'il est clair. Aussi, regardez de l'avant de la cuisinière pour assurer qu'il n'y ait pas de débris autour de l'élément allumeur à l'intérieur du bouchon de l'allumeur.
Le pot de combustion est pas poussé complètement à l'arrière de la chambre de combustion.	Assurez-vous que le collier d'admission d'air sur le pot de combustion est en contact avec la paroi arrière de la chambre de combustion.
Élément allumeur Bad.	Mettez la puissance directement à l'élément allumeur. Regardez la pointe de l'allumeur de l'avant du poêle. Après environ 2 minutes, la pointe doit briller. Dans le cas contraire, l'élément est mauvais.
Le panneau de commande n'envoie courant à l'allumeur.	Vérifiez la tension va à l'allumeur lors du démarrage. Il devrait être un plein courant. Si la tension est inférieure à plein courant, vérifiez le câblage. Si le câblage vérifie bien, le conseil est mauvais.

<p>Interrupteur d'air a échoué.</p> <p>Pour tester l'interrupteur de l'air, vous aurez besoin de débrancher le tuyau d'air du corps du poêle. Avec l'autre extrémité encore attaché à l'interrupteur de l'air, très sucer doucement sur l'extrémité libre du tuyau (vous pouvez retirer le tuyau entièrement sur le poêle et le commutateur d'air d'abord et assurez-vous qu'il est clair). Si vous entendez un clic, le commutateur d'air fonctionne. ATTENTION VIDE TROP PEUT ENDOMMAGER LE CAPTEUR DE L'AIR.</p>	<p>Affichage clignote "E3"</p>
<p>Possible Causes</p> <p>Solutions possibles: (Débrancher réchaud premier si possible)</p> <p>Remplir la trémie.</p> <p>L'arrêt de l'air est trop ouvert pour un réglage bas d'alimentation</p> <p>Les trous de pot de combustion sont bloqués.</p> <p>Retirez le pot de combustion et nettoyez soigneusement.</p> <p>L'entrée d'air, les chambres intérieures, ou d'un système d'échappement a un blocage</p> <p>Suivez toutes les procédures de nettoyage dans la section maintenance du manuel du propriétaire</p>	<p>Affichage clignote "E4"</p> <p>Causes possibles</p> <p>Solutions possibles: (Débrancher réchaud premier si possible)</p>
<p>Lors du fonctionnement de l'unité, vérifiez que le couvercle de la trémie est fermé de sorte que l'interrupteur de sécurité de la trémie active. Vérifiez les fils menant de l'interrupteur de sécurité de la trémie sur le panneau de commande et le moteur de la vis sans fin pour des connexions sécurisées. Utilisez un testeur de continuité pour tester l'interrupteur de sécurité de la trémie; remplacer si nécessaire.</p> <p>"Commencez par vider la trémie. Retirez ensuite le moteur de la vis en retirant la goupille de la tarrière, puis retirez les deux vis qui maintiennent le support de la vis sur le tube de la vis sans fin. Le support de la vis sans fin va maintenant pouvoir être retiré sous forme de tube de la tarrière. Retirez le deux boulons sur le côté du tube de vis sans fin pour enlever le palier intérieur de la vis sans fin. Tirez la vis sans fin hors du tube pour libérer le blocage.</p> <p>Retirez le moteur de la vis de l'arbre de vis sans fin et d'essayer de faire fonctionner l'unité. Si le moteur va tourner l'arbre est coincé sur quelque chose. Si le moteur ne tourne pas, le moteur est mauvais.</p>	<p>Le panneau de commande n'envoie pouvoir le thermodynamique POF ou d'autres composants du système de vis sans fin.</p> <p>Il devrait y avoir un 5 volts (environ) de courant alimentant le thermodynamique POF après que le poêle a été pendant 10 minutes.</p>
<p>L'arbre de la vis sans fin est coincé.</p>	<p>Le moteur de la vis a échoué.</p>
<p>La preuve de feu (POF) thermodynamique a mal fonctionné.</p> <p>Contourner temporairement le thermodynamique POF en déconnectant les deux fils et en les reliant avec un court morceau de fil. Ensuite, branchez le poêle back up. Si le poêle est en marche et fonctionne, vous devez remplacer le thermodynamique POF. Ceci est pour tester seulement. NE PAS LAISSER LE THERMODYNAMIQUE BYPASSED. Vos ventilateurs ne seront jamais éteint et si le feu est sorti de la tarrière continueront à nourrir bouillottes jusqu'à ce que la trémie est vide si vous laissez le thermodynamique POF contournées.</p>	<p>La preuve de feu (POF) thermodynamique a mal fonctionné.</p> <p>Contourner temporairement le thermodynamique POF en déconnectant les deux fils et en les reliant avec un court morceau de fil. Ensuite, branchez le poêle back up. Si le poêle est en marche et fonctionne, vous devez remplacer le thermodynamique POF. Ceci est pour tester seulement. NE PAS LAISSER LE THERMODYNAMIQUE BYPASSED. Vos ventilateurs ne seront jamais éteint et si le feu est sorti de la tarrière continueront à nourrir bouillottes jusqu'à ce que la trémie est vide si vous laissez le thermodynamique POF contournées.</p>
<p>Chambres à air de combustion, des entrées d'air, pot de combustion, d'échappement sont bloqués avec de la cendre ou de matières étrangères.</p>	<p>La preuve de feu (POF) thermodynamique a mal fonctionné.</p>
<p>La preuve de feu (POF) thermodynamique a mal fonctionné.</p>	<p>La preuve de feu (POF) thermodynamique a mal fonctionné.</p> <p>Contourner temporairement le thermodynamique POF en déconnectant les deux fils et en les reliant avec un court morceau de fil. Ensuite, branchez le poêle back up. Si le poêle est en marche et fonctionne, vous devez remplacer le thermodynamique POF. Ceci est pour tester seulement. NE PAS LAISSER LE THERMODYNAMIQUE BYPASSED. Vos ventilateurs ne seront jamais éteint et si le feu est sorti de la tarrière continueront à nourrir bouillottes jusqu'à ce que la trémie est vide si vous laissez le thermodynamique POF contournées.</p>

Guide de dépannage

Lorsque votre poêle fonctionne hors de l'ordinaire, la première réaction est de demander de l'aide. Ce guide peut gagner du temps et de l'argent en vous permettant de résoudre des problèmes simples vous. Les problèmes rencontrés sont souvent le résultat de seulement cinq facteurs: 1) la faible carburant; 2) une mauvaise opération ou d'entretien; 3) mauvaise installation; 4) défaillance d'un composant; 5) défaut de fabrication. Vous pouvez généralement résoudre ces problèmes liés à 1 et 2. Votre revendeur peut résoudre les problèmes liés à 3, 4 et 5. Par souci de dépannage et d'utiliser ce guide pour aider, vous devriez regarder votre réglage du niveau de chaleur pour voir la lumière qui clignote.

- Débrancher le cordon d'alimentation avant d'effectuer toute opération de maintenance! Remarque: Tourner le bouton ON / OFF sur "OFF" ne coupe pas tout le pouvoir aux composants électriques du poêle.
- Ne jamais essayer de réparer ou de remplacer une partie du poêle moins que des instructions pour le faire sont données dans ce manuel. Tous les autres travaux doivent être effectués par un technicien qualifié.

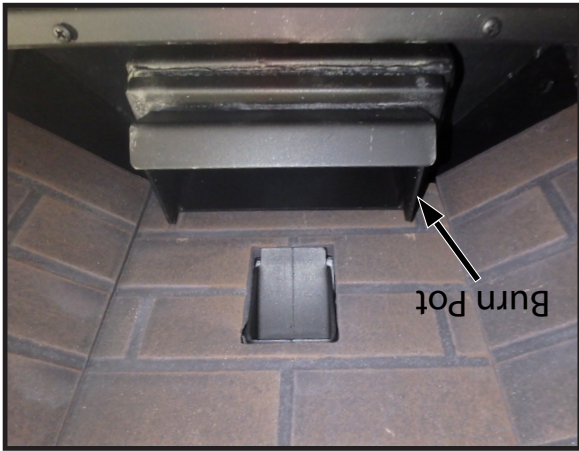
Affichage clignote "E1"	
Causes possibles	Solutions possibles: (Débrancher le poêle et attendre 30 secondes.)
Le ventilateur de convection est en surchauffe et le déclenchement de l'arrêt de la température interne.	Nettoyez toute la poussière hors de l'enroulement et pale de ventilateur. De huiler le ventilateur ne fonctionne pas, le ventilateur peut être mauvais.
Le poêle est laissé sur le réglage le plus élevé pour des périodes de temps prolongées.	Si le fonctionnement du dispositif de chauffage sur le réglage de chaleur le plus élevé, la température ambiante pourrait augmenter assez et conduire à des situations de surchauffe potentielles. Si cela se produit essayez d'exploitation à un réglage de chaleur plus faible.
Carburant autre que des granulés de bois est brûlé dans le poêle.	Ce poêle à granulés est conçu et testé pour utiliser des granulés de bois. Vérifiez les signes de combustible autre que des granulés de bois. Aucun autre type de carburant ont été approuvés pour ce poêle à granulés. S'il y a des signes d'autres types de combustibles utilisés, cessez de les utiliser immédiatement.
Sur tension ou d'une situation hors brun.	Une surtension, pointe ou chute de tension pourrait provoquer la fin de course haute de déclenchement. Vérifiez si un protecteur de surtension est utilisé sur la cuisinière. Si non, recommander un pour le client.
Fin de course haut est défectueux.	Si les autres objets vérifier OK, remplacer l'interrupteur de fin de course haute.

Affichage clignote "E2"	
Possible Causes	Solutions possibles: (Débrancher le poêle et attendre 30 secondes.)
Airflow commutateur tuyau ou fixation du poêle tuyaux pour tuyau sont bloqués.	Décrocher le tuyau d'air de l'interrupteur de l'air et souffler à travers. Si l'air circule librement, le tuyau et le tube sont très bien. Si l'air ne circule pas jeter le tuyau, utilisez un cintre métallique pour dégager le blocage.
L'entrée d'air, pot de combustion, des chambres à air de combustion intérieure, ventilateur de combustion, ou un tuyau d'échappement sont bloqués avec de la cendre ou de matières étrangères.	Suivez toutes les procédures de nettoyage dans la section maintenance du manuel du propriétaire.
Le foyer est pas correctement scellé.	Assurez-vous que la porte est fermée et que le joint est en bonne forme.
Tuyau d'évacuation est mal installée.	Assurez-vous que l'installation du tuyau d'évacuation répond aux critères dans le manuel du propriétaire.
Les liaisons filaires de commutation de flux d'air sont mauvais.	Vérifier les connecteurs qui relient les fils gris au commutateur d'air.
Combustion panne du ventilateur.	Avec le sur poêle, vérifier pour voir si le ventilateur de combustion est en cours d'exécution. Dans le cas contraire, vous devez vérifier pour pouvoir aller à la soufflerie de combustion. Il devrait être un plein courant. Si l'alimentation, le ventilateur est mauvais. S'il n'y a pas, voir # 8.
Le panneau de contrôle ne pas envoyer le pouvoir de ventilateur de combustion.	S'il n'y a pas de courant alimentant le ventilateur de combustion, vérifier toutes les connexions. Si tous les fils sont correctement connectés, vous pouvez passer l'air.
Le panneau de contrôle ne pas envoyer le pouvoir de ventilateur de combustion.	Il devrait y avoir un courant de 5 volts (environ) va à l'interrupteur d'air après que le poêle a été allumé pendant 30 secondes.

Placement Log Décoratif

Vos journaux décoratifs devraient venir en place, si ce n'est pas le cas les étapes ci-dessous illustre l'emplacement correct.

ÉTAPE 1
Localisez le pot à feu.



ÉTAPE 2
Placez la bûche dans la position correcte.



Au-dessus se trouvent les bûches décoratives à leur emplacement correct.



SPRING FERMÉ

Après la dernière brûlure au printemps, enlever les granulés restants de la trémie et le système d'alimentation à vis sans fin. Scoop sur les pastilles puis exécuter la tarrière jusqu'à ce que la trémie est vide et pellets cesse de couler (cela peut être fait en appuyant sur le bouton "ON" avec la porte de visualisation ouverte). Passez l'aspirateur sur la trémie. Nettoyer soigneusement le pot de combustion, et le foyer. Il peut être souhaitable de pulvériser l'intérieur de la trémie nettoyée avec un spray de silicone aérosol si votre poêle est dans une zone très humide. Le système d'échappement doit être soigneusement nettoyé.

CALENDRIER DE MAINTENANCE

Utilisez le suivant comme guide dans des conditions d'utilisation moyenne.

Jointes autour de la porte et le verre de la porte doivent être inspectés et réparés ou remplacés si nécessaire.

Tous les jours	Hebdomadaire	Mensuel ou au besoin
Remué	Vide	
Chambre de combustion	Brossé	
Cendres	Vérifier	Vide
Chambres intérieur	Aspiré	
Pale de soufflante de combustion	Aspiré / brossé	
Ventilateur de convection	Aspiré / brossé	
Vent système	Nettoyé	
Jointes	Inspecté	
Verre	Essuyé / Nettoyé	
Hopper (fin de saison)	Vide et aspirés	
Echangeur de chaleur Tubes		Bihédomadaire

ENLEVEMENT DES CENDRES - UNITÉ AUTOPORTANTE

Réviser les cendres périodiquement afin d'éviter inutilités cendres accumulation. Le décentrage est la suivante:

1. Laissez le feu brûler et laissez l'unité refroidir à température ambiante.
2. Nettoyer les tubes de l'échangeur de chaleur (voir la section échangeur de chaleur Nettoyage) - Assurez-vous que poêle à pellets est à la température ambiante avant de les toucher.
3. Ouvrez la porte du bac à cendres, enlever le pot de combustion et vider dans un récipient en métal.
4. Vide pour éliminer les cendres du foyer. Remarque: vérifiez que CENDRES SONT FROID AU TOUCHER AVANT ASPARATION. Certains aspirateurs peuvent fuir les cendres dans la pièce. Votre aspirateur devrait avoir un filtre spécial ou un sac pour éliminer les fuites.
5. Retirer la casserole de cendres et de disposer des cendres dans un contenant métallique.
6. Réinstaller bac à cendres.
7. Réinstaller le pot de combustion.

ÉLIMINATION DES CENDRES

Les cendres doivent être placées dans un récipient de métal en acier avec un couvercle hermétique. Le récipient fermé doit être placé sur une surface non-combustible ou sur le sol loin de tous matériaux combustibles, en attendant l'élimination finale. Si les cendres sont éliminées par enfouissement dans le sol ou dispersées autrement sur place, ils doivent être conservés dans le récipient fermé jusqu'à ce qu'elles ont été complètement refroidi. Ne pas placer d'autres déchets dans le même conteneur.

DÉTECTEURS DE FUMÉE ET DE CO

Le brûlage du bois produit naturellement des émissions de fumée et du monoxyde de carbone (CO). Le CO est un gaz poison lorsque l'exposition se fait à des concentrations élevées pour une période de temps prolongée. Bien que les systèmes de combustion modernes des chauffages réduisent de façon importante la quantité de CO émis par la cheminée, l'exposition aux gaz dans des endroits fermés ou clos peut être dangereuse. Assurez-vous que les joints d'étanchéité de votre poêle et les joints de la cheminée soient en bon état et qu'ils scellent correctement, évitant les expositions indésirables. Il est recommandé que vous utilisiez des détecteurs de fumée et de CO dans les zones où se trouve un potentiel de génération de CO.

AVERTISSEMENT: Ne tentez pas de faire fonctionner le nettoyage des tubes d'échange de chaleur tandis que le poêle à granulés est en fonctionnement ou de refroidissement; attendre poêle à granulés a complètement refroidi avant d'effectuer cette procédure.

VENTILATEURS

DANGER: RISQUE DE CHOC ELECTRIQUE. DÉBRANCHEZ AVANT UNITÉ DE RÉPARATION.

Au fil du temps la cendre ou la poussière peut s'accumuler sur les pales des ventilateurs de circulation et d'évacuation. Ces ventilateurs doivent être inspectés périodiquement, et si une quelconque accumulation est présente, nettoyez par aspiration car la cendre ou la poussière peuvent affecter leur performance. Il est aussi possible que de la créosote s'accumule dans le ventilateur d'évacuation, il faut alors le nettoyer par brossage. Le ventilateur d'évacuation se trouve derrière le panneau latéral de gauche (dirigé vers l'avant du poêle), le ventilateur de circulation se trouve derrière le panneau latéral de droite. Pour accéder à l'allumeur, enlevez le tube d'arrivée d'air et le couvercle (2 vis). Remarque : En nettoyant faites attention de ne pas endommager les pales de ventilateurs.

VÉRIFIER ET NETTOYER LA TRÉMIE

Vérifiez la trémie périodiquement afin de déterminer s'il y a une scorie de bois (amendes) qui est constitué dans le système d'alimentation ou de granulés qui sont coller à la surface de la trémie. Nettoyer au besoin.

PORTE ET VÉRRE JOINTS

Inspecter régulièrement les principales portes et fenêtres en verre joints. La porte principale peut avoir besoin d'être enlevé pour avoir des joints effilochés, brisés ou compactés remplacés par votre revendeur agréé. La porte de cet appareil utilise un joint de corde de 3/4 po de diamètre.

PORTE ET VÉRRE JOINTS

Inspecter régulièrement les principales portes et fenêtres en verre joints. La porte principale peut avoir besoin d'être enlevé pour avoir des joints effilochés, brisés ou compactés remplacés par votre revendeur agréé. La porte de cet appareil utilise un joint de corde de 3/4 po de diamètre.

SOUFFLEUSE MOTORS

Nettoyer les trous d'air sur les moteurs des deux l'échappement et les ventilateurs de distribution chaque année. Retirez le ventilateur d'évacuation du conduit d'échappement et nettoyer les pales du ventilateur interne dans le cadre de votre chute start-up.

SURFACES PEINTES

Les surfaces peintes peuvent être essuyés avec un chiffon humide. Si des rayures apparaissent, ou si vous souhaitez renouveler votre peinture, contactez votre revendeur agréé pour obtenir une boîte de peinture appropriée à haute température.

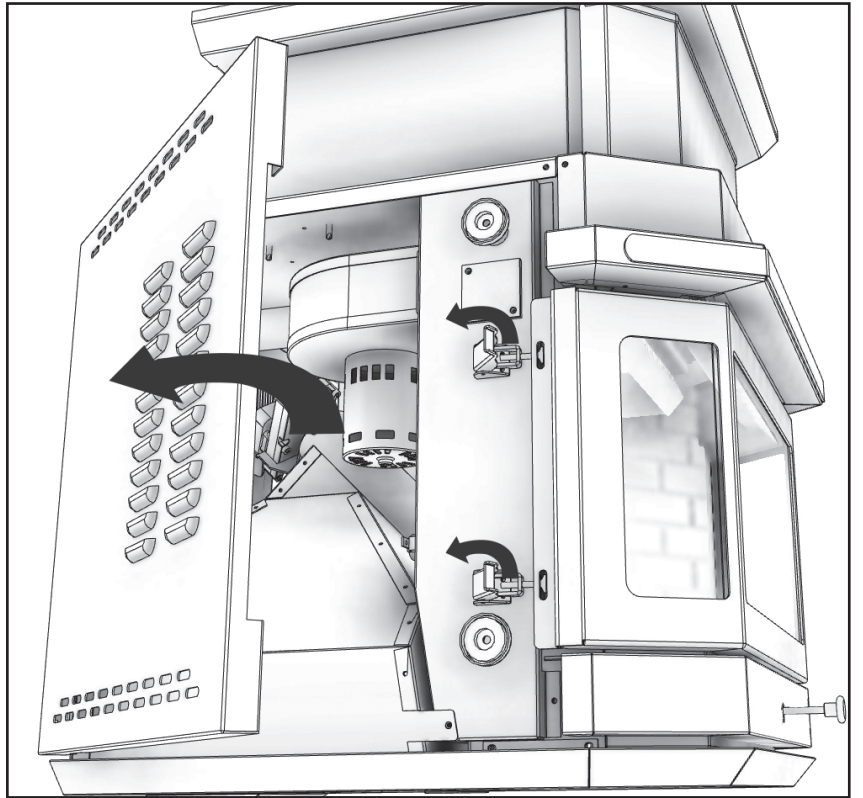
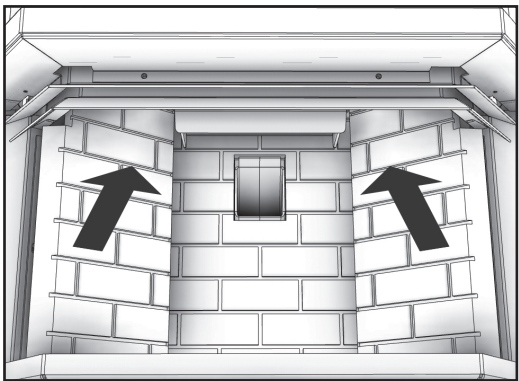
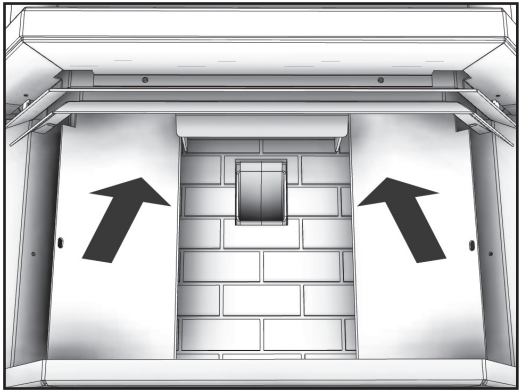
VERRE - NETTOYAGE, RETRAIT ET REMPLACEMENT DE PORTE EN VERRE BRISÉ

Nettoyage - Nous vous recommandons d'utiliser un nettoyeur pour vitres de haute qualité. Si une accumulation de créosote ou de carbone s'accumule, vous pouvez utiliser 000 laine d'acier et de l'eau pour nettoyer la vitre. NE PAS utiliser de nettoyeurs abrasifs. N'effectuez PAS le nettoyage tant que la vitre est CHAUDE. N'essayez pas de faire fonctionner l'appareil avec du verre brisé. La vitre de remplacement peut être achetée auprès de votre revendeur américain Stove. Si le verre est brisé, suivez ces procédures de retrait:

1. Une fois que le chauffe-eau a refroidi, retirez la porte de l'appareil de chauffage.
 2. Retirez le joint de corde de la porte suivie par les huit (8) écrous qui maintiennent le dispositif de retenue de verre en place.
 3. Tout en portant des gants, retirez prudemment les morceaux de verre du cadre de la porte.
 4. Remplacer le verre et le joint, assurant que le joint court le périmètre complet du bord de verre.
 5. Ré-installer le dispositif de retenue et huit écrous et le joint de corde à l'aide de silicone à haute température pour faire adhérer le joint de la porte.
 6. Ne jamais utiliser des matériaux de substitution pour le verre.
- NE PAS abuser de la vitre de la porte, par la suppression, ou en la claquant. Ne pas faire fonctionner le poêle avec le verre est enlevée, fissurée ou cassée.

AUTONNE DEMARRAGE

Avant de commencer le premier feu de la saison de chauffage, vérifiez la zone à l'extérieur autour des systèmes d'échappement et d'admission d'air pour les obstructions. Nettoyer et enlever les cendres volantes provenant du système d'évacuation. Nettoyer les écrans sur le système d'échappement et sur le tuyau d'admission d'air extérieur. Mettez toutes les commandes et assurez-vous qu'ils fonctionnent correctement. Ceci est aussi un bon moment pour donner le poêle entier un bon nettoyage tout au long.



1. Retirez la vitre avant en libérant les deux loquets qui la fixent à l'unité. Ils sont situés derrière le panneau latéral droit.
2. Retirez les deux panneaux de brique latérale.
3. Retirez les deux panneaux latéraux intérieurs.

LOCALISATION DES NETTOYAGES AVANT (NETTOYANT ANNUELLEMENT)

AVERTISSEMENT: L'ENSEMBLE DE MAINTENANCE L'ENTRETIEN PROPRE DÉTERMINANT UNE PERFORMANCE DE CE POÊLE.

AVERTISSEMENT: N'essayez pas d'utiliser le nettoyeur du tube d'échange de chaleur lorsque le poêle à granules est en marche ou qu'il refroidit; attendre jusqu'à ce que le poêle à pellets ait complètement refroidi avant d'effectuer cette procédure.

CHAMBERS INTÉRIEUR

- Graver Pot: Périodiquement enlever et nettoyer le pot de combustion et la zone à l'intérieur du logement du pot de combustion. En particulier, il est conseillé de nettoyer les trous dans le pot de combustion pour éliminer toute accumulation qui peut empêcher l'air de se déplacer à travers le pot de combustion librement.

- Echangeur de chaleur: Il y a une plaque à nettoyer des deux côtés de l'échangeur de chaleur qui ont besoin d'être enlevé pour le nettoyage des cendres volantes hors de l'échangeur de chaleur. Les sorties propres sont situés à l'intérieur des portes d'armoires, sur les coins avant inférieurs de l'échangeur de chaleur. Il est impératif qu'ils soient nettoyés au moins une fois par mois. Pour accéder à ces outils propres, vous devez retirer les deux panneaux latéraux. Les sorties propres sont fixées à la chambre de combustion avec (2) vis 5/16 po. Retirez les feuilles propres et aspirez les cendres accumulées. Cela devrait être fait au moins une fois par mois ou plus fréquemment si de grandes quantités de cendres sont remarquées lors du nettoyage ou si le poêle ne semble pas être brûler correctement.

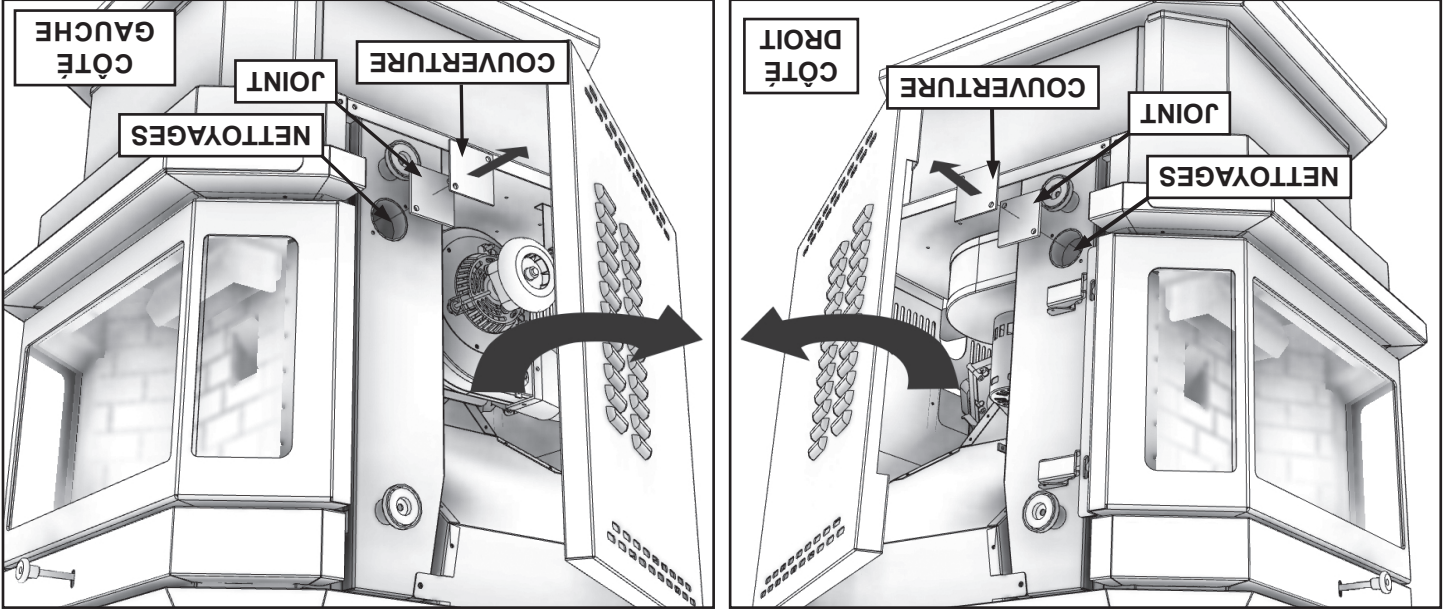
Si un aspirateur est utilisé pour nettoyer votre poêle, nous vous suggérons d'utiliser l'aspirateur AV15E AshVac. L'AV15E AshVac est conçu pour l'élimination des cendres. Certains aspirateurs ordinaires (c.-à-d. Aspirateurs d'atelier) peuvent laisser fuir des cendres dans la pièce.

NE PAS ASPIRER LES CENDRES CHAUDES

NETTOYAGE

Tubes d'échangeur thermique à granules de chauffage de pièce est conçu avec un nettoyeur intégré de tubes d'échangeur. Il doit s'utiliser tous les 2 ou 3 jours pour éliminer l'accumulation de cendres sur les tubes de l'échangeur thermique, qui peut réduire le transfert de la chaleur. La poignée, pour le nettoyeur d'échangeur thermique, est située devant les tubes de ventilation sur la face avant du poêle. Faites glisser la tige d'avant en arrière plusieurs fois afin de nettoyer les tubes, puis suivez les instructions d'élimination des cendres. Enlevez périodiquement les sorties de nettoyage de chaque côté de l'échangeur de chaleur. Nettoyez les cendres, puis suivez les instructions pour l'élimination des cendres. Vérifiez le joint avant de remplacer le couvercle de nettoyage. Si le joint est endommagé, un nouveau joint peut être commandé. Il est également possible d'utiliser du silicone à haute température pour assurer une bonne étanchéité entre le couvercle de nettoyage et le corps du poêle.

LOCALISATION DES NETTOYAGES LATÉRAUX DROIT ET GAUCHE (PROPREMENT PROPRE)



AVERTISSEMENT DE FALSIFICATION

Ce chauffage au bois a un taux de combustion minimum réglé à la fabrication, et qui ne peut être modifié. La modification de ce réglage ou une utilisation autre de ce chauffage au bois qui ne respecterait pas les directives du présent manuel contrevient aux réglementations fédérales.

FUMÉE VISIBLE

La quantité visible de fumée produite peut être une méthode efficace pour déterminer comment le processus de combustion s'établit efficacement aux réglages donnés. La fumée visible est composée de combustible non brûlé et de l'humidité s'échappant de votre poêle. Apprenez comment ajuster les réglages d'air de votre unité afin de produire la plus petite quantité de fumée visible. Le bois incorrectement séché a une teneur élevée en humidité et produira un excès de fumée visible et un mauvais brûlage.

Entretien

- Défaut de nettoyer et d'entretenir cet appareil comme indiqué peut entraîner des risques pour la performance et de sécurité pauvres.
- Débranchez le cordon électrique de votre poêle avant de retirer le panneau arrière ou l'ouverture du système d'échappement pour toute inspection, de nettoyage ou des travaux d'entretien.
- Ne jamais effectuer des inspections, le nettoyage ou la maintenance sur un poêle chaud.
- Ne pas utiliser poêle avec du verre brisé, des fuites de gaz de combustion peut entraîner.

SYSTÈME D'ÉCHAPPEMENT

Formation de créosote - Quand tout le bois brûle lentement, il produit du goudron et d'autres vapeurs organiques qui se combinent à l'humidité évacuée pour former la créosote. Les vapeurs de créosote se condensent dans le conduit de cheminée relativement froid ou un feu qui vient de démarrer ou d'un feu à combustion lente. En conséquence, les résidus de créosote accumule sur les parois du conduit de fumée. Lorsqu'elle est enflammée, la créosote produit un feu extrêmement chaud, ce qui peut endommager la cheminée ou même détruire la maison. Malgré leur grande efficacité, les poêles à granulés peuvent accumuler de la créosote sous certaines conditions.

Cendres volantes - Ce accumule dans la partie horizontale d'une course d'échappement. Bien que non-combustible, il peut empêcher l'écoulement d'échappement normal. Il convient donc de supprimer périodiquement.

Inspection et enlèvement - Le connecteur de cheminée et la cheminée doivent être inspectés par une personne qualifiée annuellement ou par tonne de pellets pour déterminer si une créosote ou les cendres volantes build-up a eu lieu. Si la créosote est accumulée pour réduire le risque d'un feu de cheminée. Inspecter le système au niveau du raccordement du poêle et au sommet de la cheminée. Surfaces coolier ont tendance à construire des dépôts de créosote plus rapide, il est donc important de vérifier la cheminée du haut ainsi que par le bas. La créosote doit être enlevée avec une brosse spécialement conçu pour le type de cheminée en usage. Un ramonneur qualifié peut effectuer ce service. Il est également recommandé que, avant chaque saison de chauffage l'ensemble du système professionnellement inspecté, nettoyé et, le cas échéant, réparés. Pour nettoyer la cheminée, débranchez l'évent du poêle.

ALLUME-FEU AUTOMATIQUE

1. Remplissez la trémie et le pot de combustion propre.
2. Appuyez sur "On / Off". Assurez-vous que le feu est allumé.
3. L'amortisseur doit être complètement fermé ou ouvert au plus 1/4 du chemin pendant le démarrage. Cela varie en fonction de votre installation et d'élevation. Une fois que le feu est établi pour régler la flamme vous le en augmentant la quantité de l'amortisseur est ouvert que le réglage de chaleur est augmentée.
4. Régler le débit d'alimentation à la position désirée par le bouton "Heat Level Advance" en appuyant sur. Si le feu ne démarre pas dans les 12 minutes, appuyez sur "On / Off", attendez quelques minutes, vider le pot de combustion, et recommencer la procédure.

CONTRÔLE DAMPER

Le levier de commande du volet est situé à l'arrière du poêle sur le côté intérieur gauche. L'amortisseur permet de régler l'air de combustion. Ce contrôle est nécessaire en raison des caractéristiques de combustion variées des installations individuelles, les différentes marques de granulés et les taux d'alimentation en granulés. Il vous permet d'améliorer l'efficacité de votre poêle. Fournir l'air de combustion correcte permettra de réduire la fréquence de nettoyage de votre porte en verre et éviter l'accumulation rapide de crésote dans votre poêle et la cheminée. Vous devez ajuster l'amortisseur en fonction de l'apparence du feu. A bas, rougeâtre, le feu sale peut être améliorée en tournant légèrement l'amortisseur vers la droite. Un "chaleur" feu peut être améliorée en tournant l'amortisseur vers la gauche un peu. En règle générale, sur les réglages inférieurs du débit d'alimentation, l'amortisseur doit être plus à gauche le fermant. Sur les taux plus élevés des aliments, l'amortisseur doit être ouvert plus par l'avoir mis plus vers la droite. Par essais et erreurs, vous trouverez le meilleur réglage. Consultez votre revendeur si vous avez besoin d'aide. NOTE: Sur la gamme thermique "1", l'amortisseur doit être soit complètement fermé ou ouvert plus d'un quart de la manière. Si l'amortisseur est ouvert à présent, il peut provoquer le feu sortir.

OUVERTURE DE PORTE

Si la porte est ouverte pendant que le poêle est en fonctionnement, il doit être fermé dans les 30 secondes ou le poêle sera fermé. Si le poêle éteint pousser le "Marche / Arrêt" pour redémarrer votre poêle. Le poêle devra fermer complètement et éteignez avant d'être en mesure de redémarrer le poêle.

CHAMBRE AIR FAN

Lors du démarrage de votre poêle la chambre Air Fan ne viendra pas jusqu'à ce que l'échangeur de chaleur du poêle se réchauffe. Cela prend habituellement environ 10 minutes de start-up.

SI POÊLE MANQUE DE GRANULÉS

Le feu éteint et le moteur de la vis et les ventilateurs se déroulera jusqu'à ce que le poêle se refroidit. Cela va prendre 30 minutes ou plus en fonction de la chaleur résiduelle dans l'appareil. Une fois les composants du poêle s'arrêtent toutes les lumières sur l'écran va sortir et l'affichage à deux chiffres se met à clignoter "E3"

RAVITAILLEMENT

La trémie et cuisinière sera chaud pendant le fonctionnement; par conséquent, vous devriez toujours utiliser un certain type de protection de la main lors du remplissage de votre poêle. Ne placez jamais votre main près de la vis sans fin pendant que le poêle est en fonctionnement.

Nous vous recommandons de ne pas laisser la chute de la trémie ci-dessous 1/4 pleine. Tentez d'atteindre un taux de puissance calorifique dépassant les spécifications de conception du chauffage peut lui causer des dommages permanents. GARDER HOPPER LID FERMÉ EN TOUT TEMPS SAUF QUAND REMPLISSAGE. NE PAS TROP REMPLIR HOPPER.

PROCÉDURE SHUT-DOWN

Transformer votre réchaud est une question d'appuyer sur la touche "POWER" sur le panneau d'affichage. La lumière verte se rallume au rouge lorsque le bouton "POWER" est poussé. Le moteur de la vis arrête, et les ventilateurs continueront de fonctionner jusqu'à ce que les températures de la chambre à combustion interne sont tombés à un niveau préalable.

AVERTISSEMENT: NE JAMAIS ÉTEINDRE CET APPAREIL EN LE DÉBRANCHANT DE LA SOURCE D'ALIMENTATION.

1. Votre poêle est équipé d'un thermostat haute température. Cette unité a une remise à zéro thermostatique manuel. Cet interrupteur de sécurité a deux fonctions.
 - A. Pour reconnaître une situation de surchauffe dans le poêle et arrêter l'alimentation en carburant ou d'un système de vis sans fin.
 - B. Dans le cas d'un ventilateur de convection fonctionne mal, le thermostatique haute température arrête automatiquement la vis sans fin, ce qui empêche le poêle de la surchauffe. REMARQUE: Sur certaines unités, une fois déclenchés, comme un disjoncteur, le bouton de remise à zéro devra être poussé avant de redémarrer votre poêle. Sur les autres unités du thermostatique n'a pas de bouton de remise à zéro et se réinitialise une fois le poêle a refroidi. Le fabricant recommande que vous appelez votre revendeur si cela se produit car cela peut indiquer un problème plus grave. Un appel de service peut être nécessaire.

2. Si le ventilateur de combustion échoue, un interrupteur de pression d'air arrête automatiquement la vis sans fin. NOTE: Ouverture de la porte du poêle pendant plus de 30 secondes pendant le fonctionnement provoque assez de changement de pression pour activer l'interrupteur d'air, fermer l'alimentation en carburant hors tension. Le poêle s'arrête et monter "E2" sur l'afficheur à deux chiffres. Le poêle doit complètement fermer avant de redémarrer.

Opération

Ne pas utiliser des produits chimiques ou autres liquides pour allumer le feu - ne jamais utiliser d'essence, de type combustible à lampe, de kérosène, briquet, ou de liquides similaires pour allumer ou "rattracher" un feu dans ce poêle. Gardez tous ces liquides loin du poêle pendant qu'il est en cours d'utilisation. Chaud en fonctionnement. Gardez les enfants, les vêtements et les meubles. Le contact peut causer des brûlures cutanées.

Le chauffage est conçu pour ne brûler que des granulés de classe supérieure PFI, NE PAS BRÛLER:

1. Des ordures;
 2. Des déchets de tonte ou résidus de jardin;
 3. Des matériaux contenant du caoutchouc, incluant les pneus;
 4. Matériaux contenant du plastique;
 5. Des déchets de produits du pétrole, des peintures ou diluants à peinture, ou des produits d'asphalte;
 6. Matériaux contenant de l'amiante;
 7. Débris de construction ou de démolition;
 8. Traverses de voie ferrée ou bois traité sous pression; au bois modifié.
- Le brûlage de ces matériaux peut causer des émanations de fumées toxiques ou rendre le chauffage inefficace en raison de la fumée.

COMBUSTIBLE

POÊLE EST APPROUVÉ POUR BRÛLER DE LA GRANULE DE BOIS SEULEMENT! Les granulés approuvés sont ceux 1/4 po ou 5/16 po de diamètre et pas plus de 1 po de long. Longeur ou pellets plus épais pont, parfois, les volets de la tarrière, ce qui empêche l'alimentation en granulés. La combustion du bois dans des formes autres que des granulés est pas autorisée. Il viole les codes de construction pour lesquels le poêle a été approuvé et annulera toutes les garanties. La conception intègre l'alimentation automatique du combustible pellet dans le feu à un taux soigneusement prescrit. Tout carburant supplémentaire introduit par la main ne sera pas augmenter la production de chaleur, mais peut nuire gravement à la performance des poêles en générant beaucoup de fumée. Ne pas brûler des granulés humides. La performance du poêle dépend fortement de la qualité de votre carburant en pastilles. Évitez les marques de granulés qui présentent les caractéristiques suivantes:

1. Amendes excédentaires - «Amendes» est un terme décrivant des pastilles concassés ou lâche qui ressemblent à de la sciure ou de sable. Pellets peuvent être criblés avant d'être placés dans la trémie pour éliminer la plupart des amendes.
2. Rellures - Certains granulés sont fabriqués avec des matériaux de tenir le ensemble, ou "iller" eux.
3. Haute teneur en cendres - - pauvres pellets de qualité vont souvent créer de la fumée et le verre sale. Ils vont créer un besoin pour un entretien plus fréquent. Vous devrez vider le pot de combustion, plus vide l'ensemble du système plus souvent. Granule de mauvaise qualité pourrait endommager la vis sans fin. Nous ne pouvons pas accepter la responsabilité pour les dommages dus à une mauvaise qualité de pellets.

PRE-START-UP VÉRIFIER

Réviser le pot de combustion, en vous assurant qu'il est propre et aucun des trous d'air sont branchés. Nettoyer la chambre de combustion, puis réinstallez le pot de combustion. Nettoyez la vitre de la porte si nécessaire (un chiffon sec ou une serviette en papier est généralement suffisant). Ne jamais utiliser de nettoyeurs abrasifs sur la vitre ou une porte. Vérifiez carburant dans la trémie, et remplir si nécessaire.

CONSTRUCTION D'UN INCENDIE

Ne jamais utiliser une grille ou d'autres moyens de soutenir le carburant. Utilisez uniquement le pot de combustion fourni avec cet appareil de chauffage. Couvrez de la trémie doit être fermé pour que l'unité pour alimenter des pastilles. Pendant la période de démarrage:

1. Assurez-vous que pot de combustion est libre de pellets.
 2. NE PAS ouvrir la porte de visionnement.
 3. NE PAS ouvrir le registre, le registre doit être fermé pendant le démarrage.
 4. NE PAS ajouter des pastilles pour le pot de combustion à la main.
- Remarque: Pendant les premiers feux, votre poêle émet une odeur que les cures de peinture à haute température ou devient assaisonnée au métal. Le maintien de petits feux permettra de minimiser cela. Évitez de placer des objets sur le dessus de la cuisinière pendant cette période parce que la peinture pourrait être affectée.

Contrôles D'appareils

COMMANDES DU TABLEAU

Les ventilateurs et l'alimentation automatique en carburant sont contrôlés à partir d'un panneau sur le dessus du poêle. Les fonctions du tableau de commande sont les suivantes :

A. INTERRUPTEUR ON/OFF (BOUTON DE MISE EN MARCHÉ)

- En appuyant sur ce bouton, le poêle s'allume automatiquement. Aucun autre allume-feu n'est nécessaire. L'allumeur reste activé pendant au moins 10 minutes et jusqu'à 12 minutes en fonction du moment où le seuil de détection de feu est atteint. Le feu devrait démarrer en 5 minutes environ.
- Le témoin rouge situé au-dessus du bouton "POWER" passe au vert lorsqu'il est enfoncé et reste vert jusqu'à l'arrêt du poêle.
- Après l'appui sur le bouton "POWER", le moteur de la tarrière fonctionne pendant 3,5 minutes, puis s'arrête pendant 1 minute. Pendant le reste de la période de démarrage, le moteur de la tarrière fonctionne sur le réglage "1" de niveau de chauffage.
- Pendant le démarrage, le réglage du niveau de chauffage (touches H et L) modifie le niveau du témoin de plage de chaleur, mais les conditions de fonctionnement du poêle ne changent pas avant la fin de la période de démarrage.
- Pendant la période de démarrage, le feu doit démarrer en 12 minutes, sinon le poêle passe en mode d'erreur et affiche le code E4.
- Pendant la phase de démarrage, la touche Mode n'est pas fonctionnelle.

B. TOUCHES FLÉCHÉES DE NIVEAU / TEMPÉRATURE

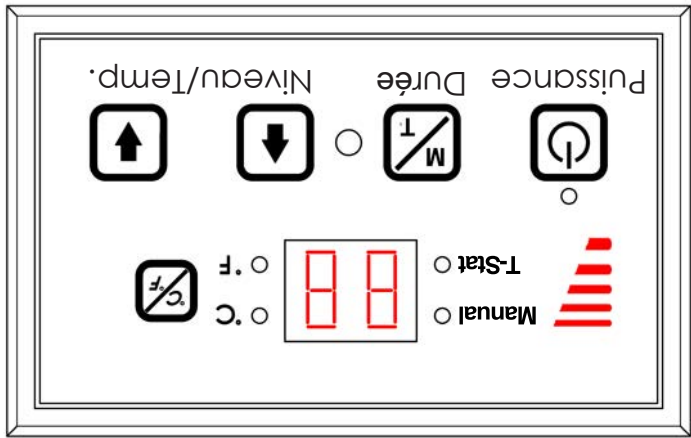
- Ces touches permettent de régler le débit d'alimentation des granulés, et par conséquent la production de chaleur du poêle.
- Les niveaux de production de chaleur changent progressivement sur le diagramme en barres, passant du niveau "1" au niveau "5" de chauffage.

C. TOUCHES °C / °F

- La touche °C / °F fait passer l'affichage à deux chiffres des degrés Celsius aux degrés Fahrenheit et vice-versa.

D. TOUCHES MODE (M/T)

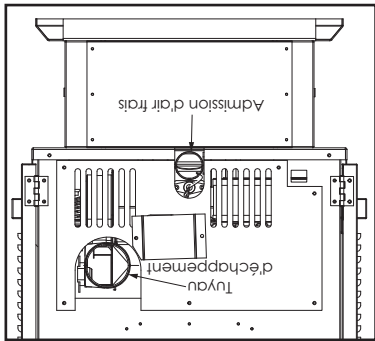
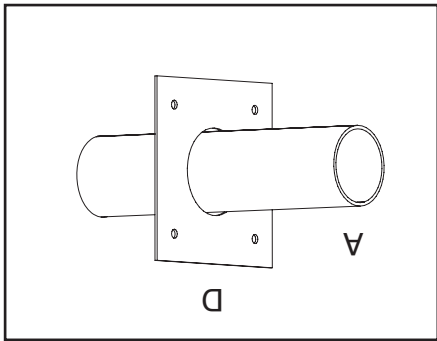
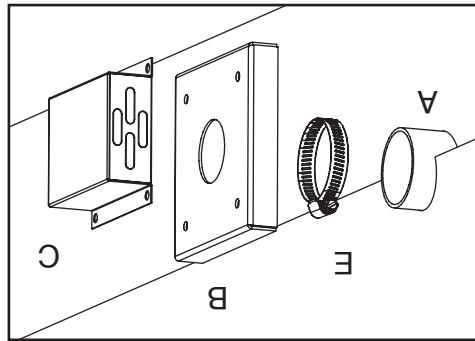
- Le Mode de fonctionnement du poêle peut être Manuel ou commandé par un Thermostat. Des diodes distinctes, à gauche de l'écran à deux chiffres, indiquent le mode de fonctionnement – Manuel ou T-stat. Le poêle doit être en mode de fonctionnement normal pour pouvoir passer du mode Manuel au mode T-Stat.
- Le mode Manuel fonctionne conformément aux 5 niveaux de réglage d'alimentation sur le diagramme, du niveau de chauffage "1" au niveau "5".
- Le mode T-Stat fonctionne de la manière suivante :
 - Le poêle est équipé d'un thermostat intégré dans ses commandes. Le capteur de température du thermostat se trouve à l'arrière du poêle, derrière le panneau d'affichage.
 - Une fois le poêle en mode de fonctionnement, il est possible de le placer en mode T-Stat.
- Les touches fléchées Haut et Bas de Niveau / Température permettent de modifier la température de déclenchement (point de consigne).
- Une fois la température souhaitée atteinte, l'écran à deux chiffres clignote pendant quatre secondes et indique la température réelle de la pièce.
- Lorsque le poêle atteint une plage de 3 °F autour du point de consigne souhaité, il revient à la plage de chaleur pour laquelle il était réglé avant de passer en mode T-Stat (si le poêle était réglé sur le niveau de chauffage « 5 » avant de passer en mode T-Stat, il revient à niveau de chauffage "5" lorsqu'il atteint la plage de 3 °F autour du point de consigne.
- Lorsque le poêle atteint le point de consigne souhaité, il passe au niveau de chauffage "1".
- Lorsque la température ambiante passe sous le point de consigne souhaité, le poêle chauffe de nouveau jusqu'à la température souhaitée.



69FAK APPROVISIONNEMENT EN AIR EXTÉRIEUR (EN OPTION)

En fonction de la construction de votre domicile et de son emplacement, de l'air venant de l'extérieur peut être nécessaire afin d'obtenir des performances optimales.

1. Avec le poêle en position de fonctionnement, marquez et percez un trou pour accueillir le tuyau flexible de 2 po.
2. Insérez le tuyau dans le mur et fixez le couvercle extérieur avec l'un des colliers de serrage de 2 po fournis.
3. Fixez ensuite le couvercle extérieur au mur extérieur.
4. Ensuite, fixez le couvercle pour rongeurs au couvercle extérieur à l'aide de quatre (4) des vis # 10 x 3/4 fournies.
5. À l'intérieur de la maison, faites glisser la plaque intérieure sur le tube, puis fixez-la au mur avec les quatre chevilles et vis fournies.
6. Sur le tube d'entrée d'air sortant du foyer, il y a un capuchon qui doit avoir quatre (4) trous de 5/32 po (0,156) de diamètre percés pour l'installation d'air frais. Le capuchon se trouve à l'avant du tube juste sous le pot de combustion. Retirez le pot de combustion. À l'aide d'un tournevis long ou équivalent, faites tomber le couvercle en l'insérant à l'arrière du poêle et en picorant avec un marteau. Percez des trous, puis remettez le capuchon et le pot de combustion.
7. Attachez l'un des tuyaux flexibles de 2 po à l'arrière du foyer, puis au tuyau d'entrée d'air à l'arrière du poêle, comme illustré.
8. Étirez le tuyau flexible de 2 po à l'entrée d'air à l'arrière du poêle. Fixez en utilisant l'autre collier de serrage de 2 po. Le tuyau s'étendra jusqu'à 4 pieds de longueur.



Installation En Maison Mobile

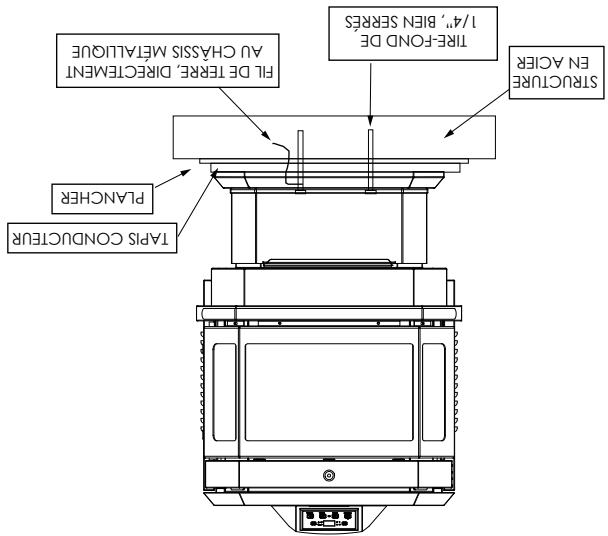
Les installations au Canada nécessitent que le poêle soit connecté à une cheminée d'usine en 3 ou 4 pouces conformément à CAN/ULC-S629. Consultez les illustrations d'installations dans ce manuel pour la hauteur minimale au-dessus du toit. U.S. Stove suggère l'utilisation de produits de ventilation pour gainuls de Selkirk. Référez-vous à leurs instructions d'installation pour une bonne mise en place de l'évacuation et de l'admission d'air de combustion. L'installation de cheminée doit permettre un démontage en cas de déplacement de la maison mobile, en particulier les connexions à l'extérieur. Vous pouvez contacter les autorités de construction locales ou une personne ayant juridiction pour les restrictions sur les hauteurs. Pour que cette unité puisse être installée dans une maison mobile les critères qui suivent doivent être remplis :

- L'unité doit être solidement fixée au plancher en utilisant des tire-fond dans les trous fournis dans le piedestal.
- Assurez-vous que l'unité est reliée en permanence à la terre via le châssis de votre maison.
- IL EST OBLIGATOIRE DE PRÉLÈVER L'AIR DE COMBUSTION DE L'EXTÉRIEUR EN INSTALLANT CETTE UNITÉ DANS DES DOMICILES ÉTANCHES OU DES MAISONS PRÉFABRIQUÉES/MOBILES.

ATTENTION: IL FAUT PRÉSERVER L'INTÉGRITÉ STRUCTURELLE DE LA MAISON PRÉFABRIQUÉE (PLANCHER, CLOISONS, PLAFOND/TOIT). ASSUREZ-VOUS DE CONSERVER UNE BARRIÈRE EFFICACE PAR LE SCÉLAGE AVEC DU SILICONE LÀ OÙ PÉNÈTRENT LA CHEMINÉE OU D'AUTRES COMPOSANTS VERS L'EXTÉRIEUR DE LA STRUCTURE.

AVERTISSEMENT: N'INSTALLEZ PAS LE POÊLE DANS LA CHAMBRE.

REMARQUE: Seul le modèle autonome peut s'installer dans une maison mobile.

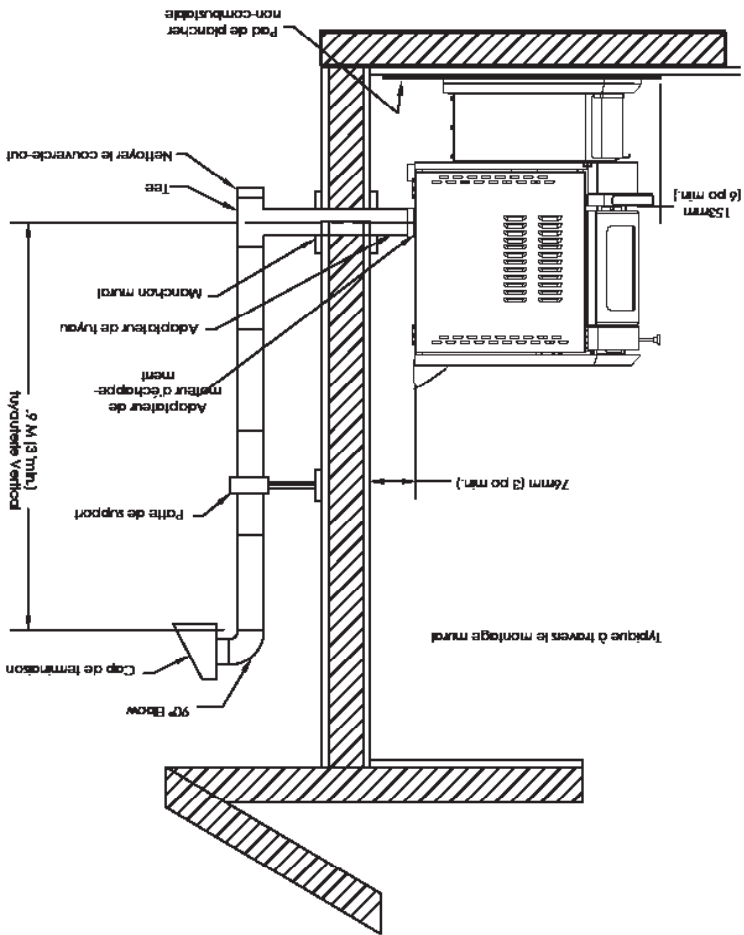


GRACE À L'INSTALLATION DE MUR (INSTALLATION RECOMMANDÉE)

Les installations canadiennes doivent se conformer à la norme CAN / CSA-B365. Pour évacuer l'unité à travers la paroi, branchez l'adaptateur de tuyau à l'adaptateur de moteur d'échappement. Si l'adaptateur d'échappement est d'au moins 18 po (457 mm) au-dessus du niveau du sol, une section droite de tuyau d'évacuation peut être utilisée à travers le mur. Votre concessionnaire de chauffage devrait être en mesure de vous fournir un kit qui va gérer la plupart de cette installation, qui comprendra une bague murale qui permettra le jeu correct à travers un mur combustible. Une fois hors de la structure, un 3 po (76 mm) de dégagement devrait être maintenu dans le mur extérieure et un tee ressorte propre doit être placé sur le tuyau avec un 90° tourner loin de la maison. À ce stade, une section de 3 pieds (0,91 m) (minimum) de la conduite devrait être ajoutée avec un bouchon horizontale, qui viendrait compléter l'installation. Une patte de support doit être placée juste sous le bouchon de terminaison ou un tous les 4 pi (1,22m) pour rendre le système plus stable. Si vous habitez dans une région qui a fortes chutes de neige, il est recommandé que l'installation soit plus grand que 3 pi (0,91 m) pour obtenir au-dessus de la ligne de congère. Cette même installation peut être utilisée si votre chauffe-eau est en dessous du niveau du sol en ajoutant simplement la section de nettoyage et tuyau vertical intérieur jusqu'à ce que le niveau du sol est atteint. Avec cette installation, vous devez être conscient de la hauteur de la neige, l'herbe morte, et les feuilles. Nous recommandons un (0,91 m) élévation verticale minimale de 3 pieds à l'intérieur ou à l'extérieur de la maison. L'installation "à travers le mur" est l'installation la moins chère et la plus simple. Ne jamais mettre fin à l'évent de fin sous un pont, dans une alcôve, sous une fenêtre, ou entre deux fenêtres.

À TRAVERS LE TOIT / INSTALLATION AU PLAFOND

Lorsque la ventilation du chauffage à travers le plafond, le tuyau est relié le même que à travers la paroi, à l'exception du tête de nettoyage-out est toujours à l'intérieur de la maison, et un 3 po (76 mm) adaptateur est ajouté avant le nettoyage-out tee. Vous devez utiliser les flasques et les solins de soutien de plafond appropriées (fourni par le fabricant de tuyaux; suivre les instructions du fabricant de tuyau). Il est important de noter que si votre course verticale de la conduite est plus que 15 pi (4,57m), l'évent taille du tuyau de granules devrait être porté à 4 po (102 mm) de diamètre. Ne pas dépasser plus de 4 pi (1,22 m) de la conduite sur une piste horizontale et utiliser aussi peu de coudes que possible. Si un décalage est nécessaire, il est préférable d'installer les coudes de 45 degrés plutôt que coudes à 90°.



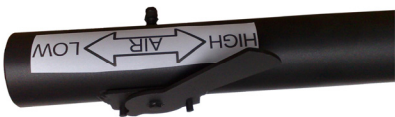
INSTALLATION DE VENTILATION D'ÉVACUATION HORIZONTALE

Vous avez déjà pris la décision importante de choisir votre poêle à pellets États-Unis Brûler Chambre chauffe; maintenant votre prochaine étape est de déterminer où installer votre nouveau poêle à granulés. Pour obtenir l'utilisation la plus efficace de la chaleur recyclée, vous devriez envisager une chambre que se trouve au centre de votre maison. Choisissez une chambre qui est grande et ouverte. Il est extrêmement important de maintenir les dégagements appropriés de toutes les surfaces ou matériaux combustibles dans la pièce où se trouve votre chauffe. Vous pouvez trouver des mesures de dégagement appropriées dans ce manuel et sur la plaque signalétique de votre poêle à granulés. Le poêle à granulés peut être évacué par un mur extérieur ou dans une maçonnerie ou en métal cheminée existante. La cheminée doit être doublée si elle est au-dessus de 6 po (150 mm) de diamètre ou si elle a une aire de section transversale de plus de 28 pouces carrés (711 mm²). Évacuation peut passer à travers le plafond et le toit si tuyau approuvé est utilisé. Lorsque le passage à travers un mur ou une cloison de construction combustible est souhaitée, l'installation doit être conforme à la norme CAN / CSA-B365.

- NE PAS OBTENIR COMBUSTION AIR DU GRÉNIER, GARAGE OU TOUTE AUTRE AREA non adéres. VOUS POUVEZ OBTENIR AIR MATÉRIELS, DES BLESSURES OU MÊME LA MORT.
- CET APPAREIL EST CERTIFIÉ POUR UNE UTILISATION AVEC ÉNUMÉRÉ 3 POUÇES OU 4 POUÇES "PL" OU "L" produits granulés de ventilation. L'utilisation d'autres composants autres que mentionnés ici pourrait causer des lésions corporelles, les dommages de chauffage, et annuler votre garantie.

ÉCHAPPEMENT HORIZONTALES INSTALLATION

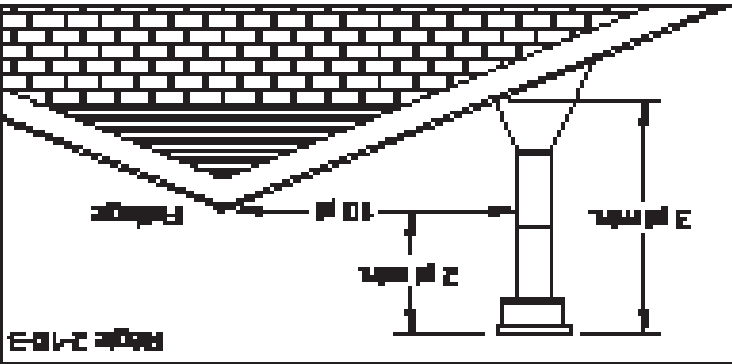
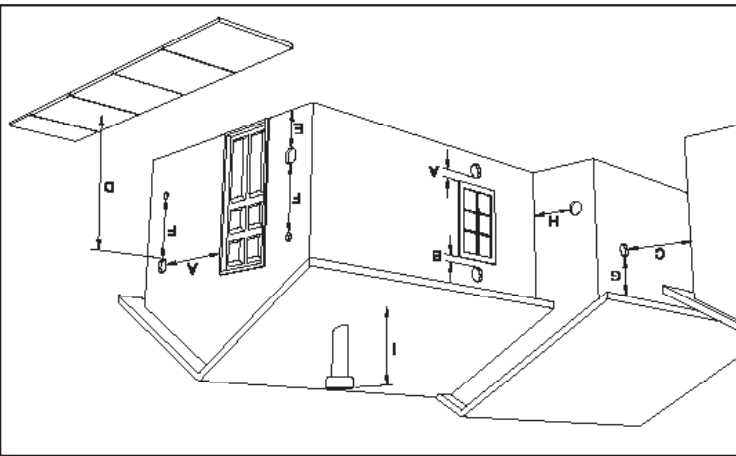
1. Localisez votre poêle à granulés dans un endroit qui répond aux exigences de ce manuel, mais dans une zone où il ne gêne pas la charpente de la maison, le câblage, etc.
2. Installez un tampon de foyer non combustible sous le poêle à granulés. Ce coussin doit dépasser d'au moins 6 po (152 mm) en face de l'unité.
3. Placez le poêle à granulés environ 15 po (381 mm de) loin de la paroi intérieure.
4. Localisez le centre du tuyau d'échappement de votre unité. Ce point devrait ensuite être étendu à la paroi intérieure de votre maison. Une fois que vous avez localisé le point central, sur la paroi intérieure, couper un trou 7 po (175mm) de diamètre dans le mur.
5. L'étape suivante consiste à installer le coupe-feu mural, reportez-vous aux instructions qui viennent avec le coupe-feu mural pour cette étape.
6. Installez la longueur appropriée du conduit d'évacuation des gaz d'échappement dans la gaine murale. Voir les étapes 1 et 12 pour déterminer la bonne longueur de conduit d'évacuation à utiliser.
7. En dehors de l'air frais est obligatoire lors de l'installation de cette pastille salle de poêle de chauffage dans les maisons étanches à l'air et les maisons mobiles. Assurez-vous que l'évent de l'air extérieur a un plafond approuvé sur elle pour empêcher les rongeurs d'entrer. Assurez-vous d'installer dans un endroit qui ne sera pas devenir bloqué avec de la neige, etc.
8. Le tuyau d'admission d'air est équipé d'une vanne papillon qui est réglée à la prise d'air maximale. Pour une efficacité optimale de fonctionnement, vous pouvez calibrer la vanne papillon pour fournir moins d'air d'admission. Attention: Trop de restriction sur l'air d'admission va causer des brûlures plus sale, par conséquent, il faudra un nettoyage plus fréquent.



9. Connectez le tuyau d'évacuation des gaz d'échappement à la sortie d'échappement de votre poêle à granulés.
10. Fixer tous les raccords de ventilation conjoints avec 3 vis. Sceller le conduit d'évacuation des connexions communes avec haute température silicone.
11. Poussez l'unité vers l'arrière à la paroi intérieure, en étant sûr de maintenir les distances minimales à combustibles 6 po (152 mm) à l'arrière de l'appareil. Sceller l'espace annulaire de la paroi virole et autour du tuyau de ventilation à haute température silicone.
12. Le tuyau d'évent d'échappement doit dépasser d'au moins 12 po (300 mm) sur au-delà du mur extérieur. Sceller l'espace annulaire de la paroi virole et autour du tuyau de ventilation à haute température silicone.
13. Installez un bouchon de terminaison horizontal approuvé ou si nécessaire installer un coude à 90 ° et la longueur appropriée de ventilation verticale. Un capuchon d'évent vertical approuvé est recommandé.

VENT DÉGAGEMENTS DE SORTIE

- A. Le minimum de 1,22 m (4 pieds) de dégagement dessous ou à côté d'une porte ou fenêtre qui ouvre.
- B. Le minimum 0,3 m (1 pied) dégagement au-dessus d'une porte ou fenêtre qui ouvre.
- C. Le minimum de 0,9 m (3 pieds) de dégagement de tout bâtiment adjacent.
- D. Le minimum de 2,13 m (7 pieds) l'autorisation de tout grade lorsqu'ils sont adjacents aux passages publics.
- E. 0,61 m (2 pieds) de dégagement E) minimale au-dessus toute l'herbe, les plantes, ou d'autres matériaux combustibles.
- F. Le minimum de 0,91 m (3 pieds) de dégagement à partir d'une prise d'air forcée de tout appareil.
- G. Le minimum de 0,61 m (2 pieds) de dégagement ci-dessous ou faux Eves.
- H. Le minimum 0,3 m (1 pied) de dégagement horizontalement du mur combustible.
- I. Doit être un minimum de 0,091 m (3 pieds) au-dessus du toit et 0,61 m (2 pieds) au-dessus du point le plus haut ou le toit à moins de 3,05 m (10 pieds).



Instructions de montage

Étape 1

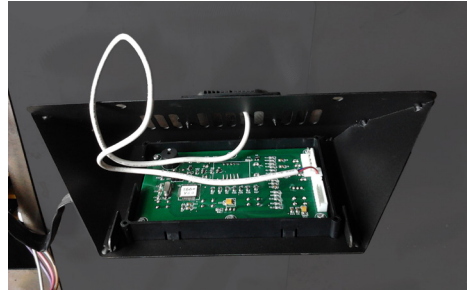
Tirer les fils installés en usine sur le dessus de la cuisinière. Il y aura deux faisceaux de câbles, cendres



indiqué.

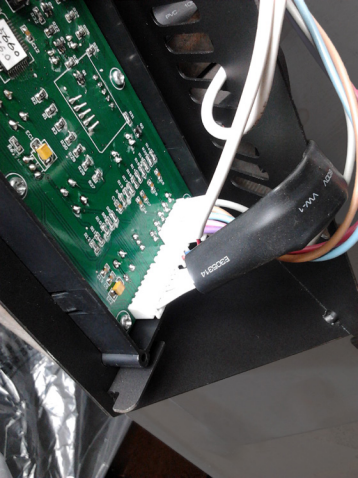
Étape 2

Déballiez les meilleurs contrôles de montage et se assurer que le faisceau de câblage illustré est fixé.



Étape 3

Connectez les installés en usine faisceaux de câblage au panneau de commande comme indiqué.



Étape 4

Fixez le panneau de commande vers le haut du poêle, comme

Étape 5

Fixer avec deux vis à tôle.



EVACUATION EXIGENCES

- Installez l'évent aux dégagements spécifiés par le fabricant de l'évent.
- Ne pas installer un amortisseur de fumée dans le système d'évacuation de cet appareil.
- Les directives d'installation suivantes doivent être respectées pour assurer la conformité à la fois avec la fiche de sécurité de ce poêle et aux codes de construction locaux. Ne pas utiliser de méthodes ou de compromis de fortune dans l'installation.

IMPORTANT! Cette unité est équipée d'un système de tirage négatif qui tire l'air à travers le pot de combustion et pousse l'échappement hors de l'habitation. Si cet appareil est connecté à un système de combustion autre que la façon expliquée dans ce manuel, il ne fonctionnera pas correctement.

DISTANCE MAXIMALE DE VENTILATION

Installation DOIT inclure au moins 3 pieds de tuyau vertical extérieur de la maison. Cela va créer un tirage naturel pour réduire la possibilité de fumée ou d'odeur lors de l'appareil d'arrêt et de garder l'échappement de causer une nuisance ou un risque en exposant des personnes ou des arbres à des températures élevées. Le maximum recommandé la hauteur de ventilation verticale est de 12 pieds pour le type 3 pouces événement "PL". La longueur totale du conduit horizontal ne doit pas dépasser 4 pieds. Cela pourrait provoquer une contre-pression. Ne pas utiliser plus de 180 degrés de coudes (deux coudes de 90 degrés, ou deux 45 degrés et un coude à 90 degrés, etc.) pour maintenir un tirage adéquat.

IMPORTANT D'UN TIRAGE ADEQUAT

Le tirage est une force déplaçant l'air de l'appareil vers la cheminée. La quantité de tirage dans votre cheminée dépend de sa longueur, son emplacement géographique local, les obstructions à proximité et autres facteurs. Trop de tirage peut causer des températures excessives dans l'appareil. Un tirage inadéquat peut causer des retours de fumée dans la pièce et causer l'obturation de la cheminée. Un tirage inadéquat causera des fuites de fumée par l'appareil dans la pièce, s'infiltrant par l'appareil, et les joints du conduit de raccordement. Un brûlage incontrôlable ou une température excessive indiquent un tirage excessif. Tenez compte de l'emplacement de la cheminée pour veiller à ce qu'elle ne soit pas trop près des voisins ou dans une vallée pouvant causer des conditions malsaines ou nuisibles.

PELLET TYPE D'ÉVÈNI

Une liste UL de 3 pouces ou 4 pouces de type culot "PL" événement système d'échappement doit être utilisé pour l'installation et relié au connecteur du tuyau fourni à l'arrière du poêle (utiliser un 3 pouces à 4 pouces adaptateur pour 4-tuyau de pouce). Connexion à l'arrière du poêle doit être scellée à l'aide Salut-Temp RTV. Utilisez 4 pouces événement si la hauteur de l'évent est de plus de 12 pieds ou si l'installation est plus de 2500 pieds au-dessus du niveau de la mer. Ne pas utiliser de type B Gas Vent tuyau ou tuyau en acier galvanisé avec cet appareil. Le tuyau d'évent à granulés est conçu pour démonter pour le nettoyage et doit être vérifié plusieurs fois pendant la saison de chauffage. Tuyau d'évent Pellet ne sont pas fournis avec l'appareil et doit être acheté séparément.

INSTALLATION DE VENTILATION PELLET

L'installation doit inclure un tee-shirt de nettoyage pour permettre la collecte de cendres volantes et de permettre le nettoyage périodique du système d'échappement. Coudez à 90 degrés accumulent les cendres volantes et la suie réduisant ainsi l'écoulement des gaz d'échappement et de la performance du poêle. Chaque coude ou té réduit le projet potentiel de 30% à 50%. Tous les joints du système de ventilation doivent être fixés par au moins 3 vis, et tous les joints doivent être scellés avec Salut-Temp RTV silicone étanche à l'air. La zone où le tuyau de ventilation pénètre à l'extérieur de la maison doit être scellée avec du silicone ou d'autres moyens pour maintenir la barrière de vapeur entre l'extérieur et l'intérieur de la maison. Vent surfacés peuvent obtenir assez chaud pour causer des brûlures en cas de contact par les enfants. Blindage ou gardes non-combustibles peuvent être nécessaires.

PELLET TERMINAISON DE VENTILATION

Ne pas mettre fin à l'évent dans un espace clos ou semi-clos, comme: carport, garage, grenier, vide sanitaire, sous une terrasse ou une véranda, d'un passage étroit, ou tout autre endroit qui peut accumuler une concentration de fumées. Résiliation dans une zone peut également conduire à des situations de pression imprévisibles avec l'appareil, et pourrait entraîner des performances et / ou de dysfonctionnement. La résiliation doit épouser au-dessus de l'extérieur élévation d'entrée d'air incorrecte. La résiliation ne doit pas être située là où il deviendra branché par la neige ou d'autres matériaux. Ne pas mettre fin à la ventilation dans un acier ou une cheminée de maçonnerie existante.

Installation

Attention: NE PAS expier sous un porche, un pont, un auvent ou dans une zone semi-fermée ou couverte. Cela pourrait entraîner un flux d'air imprévisible sur le bouchon de ventilation sous certaines conditions et peut affecter les performances de votre poêle, ainsi que d'autres problèmes imprévisibles.

INSTALLATION OPTIONS

Lisez ce manuel en entier avant d'installer votre poêle à granules. Le non-respect des instructions peut entraîner des dommages matériels, des blessures corporelles ou même la mort! Voir les détails d'installation spécifiques pour les dégagements et autres exigences d'installation.

Unité autoportante - soutenue par un piédestal / des pieds et placée sur une surface de plancher incombustible conformément aux exigences de dégagement pour une installation de poêle autoportant.

Unité en alcôve - soutenue par un piédestal / des pieds et placée sur une surface de plancher incombustible conformément aux exigences de dégagement pour une installation en alcôve.

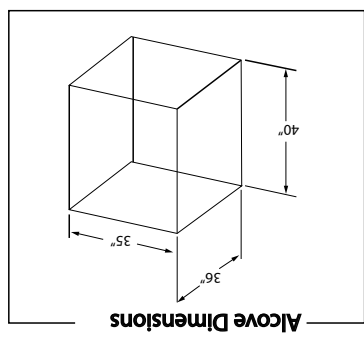
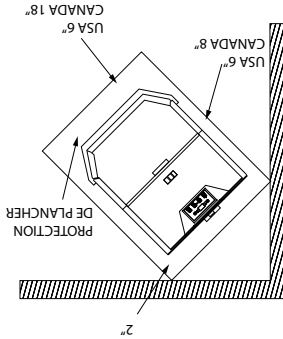
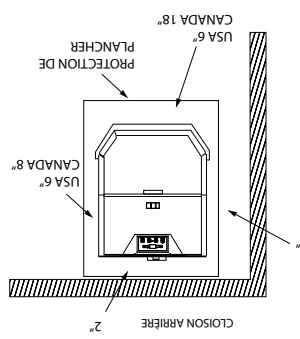
Votre poêle à granules peut être installé pour coder dans une maison conventionnelle ou mobile (voir Exigences spéciales pour les maisons mobiles). Il est recommandé que seul un technicien agréé installe votre poêle à granules, de préférence un spécialiste certifié NFI. NE CONNECTEZ PAS CET APPAREIL À UN CONDUIT OU À UN SYSTÈME DE DISTRIBUTION D'AIR. L'utilisation d'autres composants que ceux indiqués dans le présent document peut provoquer des lésions corporelles, des dommages au chauffage et annuler votre garantie.

MAUVAISE INSTALLATION: Le fabricant ne sera pas tenu responsable des dommages causés par le mauvais fonctionnement d'un poêle en raison d'une ventilation ou une mauvaise installation. Appelez (800) 750-2723 et / ou consulter un installateur professionnel si vous avez des questions.

DÉGAGEMENTS

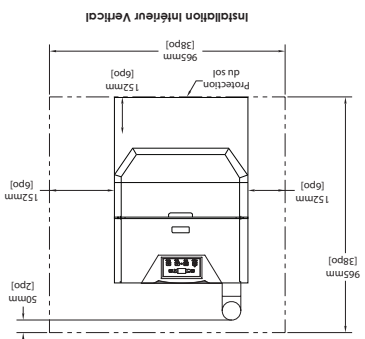
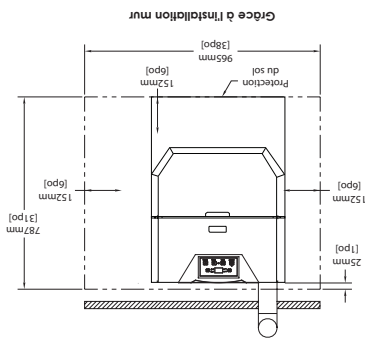
Votre poêle à granules a été testé et homologué pour une installation dans le secteur résidentiel, maison mobile, et alcôve applications conformément aux autorisations données. Pour des raisons de sécurité, s'il vous plaît respecter les autorisations et restrictions d'installation. Toute réduction de la clairance à combustibles ne peut être fait par des moyens approuvés par une autorité réglementaire.

INSTALLEZ TOUTES LES VENTILATIONS AVEC LES DISTANCES SPÉCIFIÉES PAR LEUR CONSTRUCTEUR! Lorsque votre poêle aux granules Poêle de chambre est installé sur un plancher combustible filé est obligatoire que 1/2 po (13 mm) d'épaisseur pad foyer incombustible être installé sous le chauffe. Le protecteur de plancher non-combustible doit dépasser d'au moins 6 po au-delà des ouvertures de chargement de carburant et d'élimination des cendres et au moins la profondeur de l'appareil de chauffage plus 6 po (152 mm) à l'avant de l'appareil. Le protecteur de plancher doit se étendre 2 po (51 mm) de chaque côté de l'évent d'échappement. Cela se applique aux appareils de chauffage autoportant et insère chauffe.



PROTECTION DU SOL

Cet appareil de chauffage doit avoir un protecteur de plancher incombustible (protection contre les braises) installé en dessous si le plancher est en matériau combustible. Si un coussin de sol est utilisé, il doit être homologué UL ou équivalent. Le plancher ou la surface incombustible doit être suffisamment grand pour couvrir au moins la zone située sous le produit et 6 po (152 mm) au-delà de l'avant et au-delà de chaque côté des ouvertures de chargement de carburant et d'élimination des cendres. La protection du plancher doit s'étendre sous et 2 po (51 mm) de chaque côté du té de cheminée pour une installation verticale intérieure. Les installations canadiennes nécessitent un minimum de 450 mm [17,7 po] au-delà de l'avant de l'unité et 200 mm [7,8 po] au-delà de chaque côté de l'unité. Un protecteur de plancher de 1/4 po d'épaisseur est recommandé pour cette installation.



Spécifications

Spécifications de chauffage	
Brûler le combustible de tarif * (réglage le plus bas)	1,5 lbs./hr.
Capacité de la trémie	45 lbs. (20,4 kg)

* Taille de Pellet peut effectuer le taux réel d'alimentation en carburant et de brûler fois. Taux d'alimentation en carburant peut varier par autant que 20%. Utiliser PFI carburant listé pour de meilleurs résultats.

Dimensions	
Hauteur	30,50 po (775 mm)
Largueur	24,25 po (616 mm)
Profondeur	26,19 po (665 mm)

Spécifications électriques	
Note électrique	115-120 volts, 60 HZ, 3,0 Amps
Watts (opérationnel)	180W
Watts (allumeur en marche)	346W

Ce manuel décrit l'installation et le fonctionnement des USSC, 5660 poêle à granulés. Cet appareil de chauffage répond aux limites d'émission de bois de bœreau de l'Environmental Protection Agency des États-Unis de 2020 pour les appareils de chauffage au bois vendus après le 15 mai 2020. Dans des conditions de test spécifiques de l'EPA brûlant du bois dimensionnel de sapin de Douglas, il a été démontré que cet appareil de chauffage fournit de la chaleur à un taux de 11 155 à 24 361 btu./heure. Ce radiateur a atteint un taux d'émissions de particules de 1,9 g / h et une efficacité de 62%.

DES CONSIDÉRATIONS DE CARBURANT

Votre poêle à granulés est conçu et testé avec des granulés de qualité supérieure conformes aux normes du Pellet Fuels Institute (PFI). Vous ne pouvez brûler que des granulés de qualité supérieure dans ce poêle à granulés (densité minimale de 40 lb par pied cube, 1/4 po à 5/16 po de diamètre, longueur ne dépassant pas 1,5 po, pas moins de 8 200 BTU / lb, humidité inférieure à 8 % en poids, cendres de moins de 1% en poids et sel de moins de 300 parties par million). Les pastilles qui sont molles, contiennent des quantités excessives de sciure lâche, ont été ou sont mouillées, réduiront les performances et peuvent endommager votre appareil de chauffage. Conservez vos granulés dans un endroit sec. NE PAS stocker le carburant dans les dégagements d'installation de l'unité ou dans l'espace requis pour le ravitailllement et l'élimination des cendres. Cela pourrait entraîner un incendie dans la maison. Ne pas surchauffer ni utiliser de combustibles ou combustibles volatils, cela pourrait entraîner des risques de dommages personnels et matériels.

CONFORMITÉ SÉCURITÉ ET EPA

Votre poêle à granulés a été approuvé pour une installation aux États-Unis et au Canada. Il peut également être installé dans une maison préfabriquée ou mobile. Votre poêle est certifié ASTM E1509-12 (2017) et certifié ULCS 5627, 2000

AVERTISSEMENT: Il est contraire aux règlements fédéraux d'utiliser ce poêle à bois d'une manière non conforme aux instructions d'utilisation du manuel du propriétaire.

Informations De Sécurité

- Assurez-vous de lire complètement le manuel d'utilisation avant d'installer et d'activer ce poêle à granulés. Le fait de ne pas totalement assimiler ces instructions peut entraîner un départ d'incendie, des dégâts matériels et des blessures corporelles, et même être fatal.
- Le système d'échappement du poêle fonctionne avec une pression négative de la chambre de combustion et une pression de cheminée légèrement positive, il est très important de s'assurer que le système d'évacuation est scellé et étanche à l'air. Le bac à cendres et la porte à judas doivent être bien refermés de façon à ce que l'unité reste étanche. Ce poêle à granulés ne fonctionne pas en utilisant un tirage naturel ou sans source d'alimentation pour les soufflantes.
- L'utilisation de grilles ou d'autres méthodes pour porter le carburant n'est pas permise.
- Le poêle à granulés est conçu pour faire brûler uniquement comme carburant des granulés de bois. N'utilisez aucun autre type de carburant, cela annulerait toutes les garanties énoncées dans ce manuel.
- L'utilisation de bois plein comme carburant dans ce poêle est également interdite.
- Ce poêle à granulés est conçu pour une installation en résidence en conformité avec les normes de construction nationales et locales en vigueur. Il est également approuvé comme chauffage pour maison mobile conçu pour une connexion sur une source d'air de combustion extérieure. En cas d'installation d'un poêle à granulés dans une maison mobile, il doit être électriquement relié à la terre via le châssis en acier de la maison, et bouclonné au plancher. Assurez-vous du maintien de l'intégrité structurelle de la maison.
- Assurez-vous en passant des tuyaux de ventilation au travers des cloisons, des plafonds et des toits.
- Il est recommandé que la ventilation d'échappement soit nettoyée semestriellement, ou après chaque consommation de deux tonnes américaines de granulés. De la suie ou de la créosote peuvent s'accumuler quand le poêle à granulés est utilisé dans des conditions incorrectes, telles qu'une combustion extrêmement riche (flammes parsessées orange à pointe noire). Ne faites pas fonctionner le poêle si la flamme devient sombre ou si le pot de combustion déborde de granulés. Coupez le poêle et appelez votre revendeur.
- Le cordon électrique avec terre doit être branché sur une prise secteur standard de 120 V/60 Hz. Assurez-vous que ce cordon n'est pas coincé sous l'appareil et qu'il ne touche pas à des surfaces chaudes ou à des bords tranchants.
- Le bac à cendres et la porte avec judas doivent être bien verrouillés pour un fonctionnement correct et sans risques. Ne placez pas des granulés neufs ou non brûlés dans le bac à cendres. Un feu dans le bac à cendres pourrait en résulter.
- Ne malmenez pas la vitre en frappant ou en claquant la porte. N'essayez pas de faire fonctionner l'unité avec une vitre cassée. Une vitre de remplacement peut être achetée chez votre revendeur U.S. Stove de chauffages pour pièce carburant aux granulés.
- N'essayez pas de nettoyer la vitre quand elle est encore

chaude. Pour nettoyer la vitre, veuillez attendre que le poêle à granulés ait refroidi, puis utilisez un chiffon en coton et du produit nettoyant pour vitres doux et un produit nettoyant pour poêle à bois.

Ne faites plus fonctionner votre poêle à granulés si vous sentez de la fumée qui en sort. Coupez-le, contrôlez-le et, si nécessaire, appelez votre revendeur.

Les interventions de réparation ou de service sur votre poêle à granulés de chauffage de pièce U.S. Stove ne doivent être effectuées que par un technicien qualifié.

Débranchez le cordon d'alimentation avant toute intervention d'entretien ou de réparation.

Remarque : le fait d'arrêter le poêle à granulés en le passant sur "off" ne le déconnecte pas du secteur.

Le poêle à granulés de chauffage de pièce ne fonctionnera pas durant une coupure de secteur ou si le circuit électrique a disjoncté, contrôlez la dispersion de fumée et ouvrez portes et fenêtres pour ventiler si nécessaire.

Gardez les objets étrangers hors de la trémie.

Contactez les autorités officielles de construction locales pour obtenir un permis et des informations sur toutes les contraintes d'installation ou exigences d'inspection dans votre secteur.

Veuillez à prévenir votre compagnie d'assurance de l'acquisition de votre nouveau poêle à granulés de chauffage de pièce.

Permettez au poêle à granulés de chauffage de pièce de refroidir avant d'effectuer tout entretien.

Les cendres doivent être jetées dans un conteneur métallique avec un couvercle étanche, et placées sur une surface non-combustible à bonne distance de votre maison.

Vérifiez le système de ventilation, au moins deux fois par an, pour y déceler la présence éventuelle de créosote.

Attention : ne branchez jamais sur un quelconque système ou conduit de distribution d'air.

N'utilisez jamais d'essence, de carburant pour lampe à pétrole, du kérosène, de fluide d'allumage de charbon, ou des liquides similaires, pour démarrer ou "relancer" un feu dans le poêle. Gardez de tels produits liquides bien à l'écart du poêle pendant qu'il fonctionne.

Maintenez les vêtements et le mobilier à distance du poêle. Un contact peut causer des brûlures de la peau. Les jeunes enfants doivent être sous surveillance quand ils sont dans la même pièce que le poêle.

N'essayez pas de faire fonctionner le nettoyeur de tube de ventilation pendant que le poêle à granulés est en fonctionnement ou en refroidissement. Attendez qu'il ait complètement refroidi avant de commencer une telle procédure.

Assurez-vous que votre entourage sache que le bouton du nettoyeur de tube de ventilation sera très chaud pendant le fonctionnement du poêle, et peut représenter un risque de brûlure.

Cet appareil est un appareil de chauffage autonome. Elle ne vise pas à être fixée à tout type de conduits. Il est un four.

UNITED STATES
STOVE CO
EST^e 1869

MODÈLE: 5660

CONSERVEZ CES INSTRUCTIONS
CE MANUEL VOUS AIDERA À OBTENIR UN SERVICE EFFICACE ET FIABLE À PARTIR DU RADIATEUR ET VOUS PERMETTRA DE
COMMANDER CORRECTEMENT LES PIÈCES DE RÉPARATION. GARDEZ DANS UN ENDROIT SÛR POUR RÉFÉRENCE FUTURE.

• Veuillez lire entièrement ce manuel d'installation et d'utilisation
AVANT de mettre en place et de faire fonctionner votre nouveau
poêle à granulés de bois pour chauffage de pièce. Le fait de ne pas
totallement assimiler ces instructions et de ne pas les appliquer peut
entraîner des dégâts matériels et des blessures corporelles, et même
être fatal.

• Si votre appareil de chauffage n'est pas correctement installé, il peut
en résulter un départ d'incendie dans la maison. Pour la sécurité de
tous, SUIVEZ toutes les instructions d'installation et d'utilisation.

• Ces poêles à granulés de bois pour chauffage de pièce ont été
conçus pour être utilisés aux USA et au Canada, et conviennent pour
des maisons mobiles.

TOUTES LES PHOTOS MONTRÉES SONT UNIQUEMENT À DES FINS
ILLUSTRATIVES. LE PRODUIT RÉEL PEUT VARIER EN RAISON DE
L'AMÉLIORATION DU PRODUIT.

Ce manuel peut être modifié sans préavis.

United States Stove Company
227 Industrial Park Road
South Pittsburg, TN 37380

AVERTISSEMENT CONCERNANT LA PROPOSITION 65 DE L'ÉTAT DE LA CALIFORNIE :
Ce produit peut vous exposer à des agents chimiques, y compris au monoxyde de
carbone, lesquels sont reconnus dans l'état de la Californie comme causant le cancer et
des malformations congénitales ou autres dommages au fœtus. Pour obtenir plus de
renseignements, veuillez consulter le site www.P65warnings.ca.gov

U.S. Environmental Protection Agency
Certifié aux normes d'émissions de 2020 à
particules.

Certifié selon la norme ASTM E1509-12 (2017)
et Certifié ULG S627, 2000
Cet appareil n'est pas destiné à être utilisé
en tant que principale source de chaleur.

