

Owner's Instruction and Operation Manual



Model Number:

5040



Report Number: F21-687

Certified to ASTM E1509-12 (2017),
ULC-S627-00-REV1



* All Pictures In This Manual Are For Illustrative Purposes Only. Actual Product May Vary.

852010J-1303K

Save These Instructions In A Safe Place For Future Reference.



SAFETY NOTICE: If this heater is not properly installed, a house fire may result. For your safety, follow the installation instructions. Never use make-shift compromises during the installation of this heater. Contact local building or fire officials about permits, restrictions and installation requirements in your area. **NEVER OPERATE THIS PRODUCT WHILE UNATTENDED.**



CAUTION! Please read this entire manual before you install or use your new room heater. Failure to follow instructions may result in property damage, bodily injury, or even death. Improper Installation Will Void Your Warranty!

U.S. Environmental Protection Agency

Certified to comply with 2020 particulate emissions standards.



CALIFORNIA PROPOSITION 65 WARNING:

This product can expose you to chemicals including carbon monoxide, which is known to the State of California to cause cancer, birth defects, and/or other reproductive harm. For more information, go to www.P65warnings.ca.gov

THIS MANUAL IS SUBJECT TO CHANGE WITHOUT NOTICE.

This manual describes the installation and operation of the Golden Eagle, 5040 wood heater. This heater meets the 2020 U.S. Environmental Protection Agency’s crib wood emission limits for wood heaters sold after May 15, 2020. Under specific test conditions this heater has been shown to deliver heat at rates ranging from 4,814 to 32,788 Btu/hr, 0.49 g/hr, and 63% efficiency.

SPECIFICATIONS	
Width	21-1/2”
Height	28-1/2” (with legs or pedestal)
Depth	24”
Weight	185 lbs.
Pedestal	40 lbs.
Legs	13 lbs.
Flue size	3” or 4”
Hopper Capacity	Up to 45 lbs. (This can vary widely depending on pellet size, length, and diameter)
Burn time	1 lb. to 4-1/2 lbs. per hour
Approved installations	Mobile Home, Alcove, Conventional

WARNING:

IT IS AGAINST FEDERAL REGULATIONS TO OPERATE THIS WOOD HEATER IN A MANNER INCONSISTENT WITH THE OPERATING INSTRUCTIONS IN THE OWNER’S MANUAL.



Note: Register your product online at www.usstove.com or download the free app today. This app is available only on the App Store for iPhone and iPad. Search US Stove. Save your receipt with your records for any claims.

For Customer Service, please call:
1-800-750-2723 Ext 5050 or;
Text to 423-301-5624 or;
Email us at:
customerservice@usstove.com

INSTALLATION CHECKLIST



Your Wood Stove should be installed by a qualified installer only. An NFI qualified Installer can be found at www.nficertified.org/public/find-an-nfi-pro/

CUSTOMER SERVICE

1-800-750-2723 ext 5050
Text to 423-301-5624
Email to: Customerservice@usstove.com

COMMISSIONING CHECKLIST

This checklist is to be completed in full by the qualified person who installs this unit. Keep this page for future reference. Failure to install and commission according to the manufacturer's instructions and complete this checklist will invalidate the warranty.

Please Print

Customer Name:	Telephone Number:
Address:	
Model:	
Serial Number:	
Installation Company Name:	Phone Number:
Installation Technician's Name:	License Number:

DESCRIPTION OF WORK

Location of installed appliance: _____

Venting System: New Venting System Yes No If yes, Brand _____

If no, Date of inspection of existing venting system: _____

COMMISSIONING

- Confirm Hearth Pad Installation as per Installation Instructions.....
- Confirm proper placement of internal parts.....
- Check soundness of door gasket and door seals
- Confirm clearances to combustibles as per installation instructions in this manual
- Check the operations of the air controls.....
- Confirm the venting system is secure and sealed
- Confirm the stove starts and operates properly
- Check to ensure a CO alarm is installed as per local building codes and is functional
- Explain the safe operation, proper fuel usage, cleaning, and routine maintenance requirements.....

Declaration of Completion: As the qualified person responsible for the work described above, I confirm that the appliance as associated work has been installed as per manufacturer's instructions and following any applicable building and installation codes.

Signed: _____ Print Name: _____ Date: _____

Home Owner: RETAIN THIS INFORMATION FOR FUTURE REFERENCE

SAFETY NOTICE

- IF THIS STOVE IS NOT PROPERLY INSTALLED, A HOUSE FIRE MAY RESULT. TO REDUCE THE RISK OF FIRE, FOLLOW THE INSTALLATION INSTRUCTIONS.
- CONTACT YOUR LOCAL BUILDING OFFICIALS TO OBTAIN A PERMIT AND INFORMATION ON ANY ADDITIONAL INSTALLATION RESTRICTIONS OR INSPECTION REQUIREMENTS IN YOUR AREA.
- DO NOT PLACE CLOTHING OR OTHER FLAMMABLE ITEMS ON OR NEAR THIS STOVE.
- NEVER USE GASOLINE, GASOLINE-TYPE LANTERN FUEL, KEROSENE, CHARCOAL LIGHTER FLUID, OR SIMILAR LIQUIDS TO START OR 'FRESHEN UP' A FIRE IN THIS STOVE. KEEP ALL SUCH LIQUIDS WELL AWAY FROM THE STOVE WHILE IT IS IN USE.
- THE EXHAUST SYSTEM MUST BE COMPLETELY AIRTIGHT AND PROPERLY INSTALLED. THE PELLET VENT JOINTS MUST BE SEALED WITH RTV 500°F (260°C) SILICONE SEALANT, AND WITH UL-181-AP FOIL TAPE.
- THIS APPLIANCE IS A FREESTANDING HEATER. IT IS NOT INTENDED TO BE ATTACHED TO ANY TYPE OF DUCTING. IT IS NOT A FURNACE. DO NOT CONNECT THIS UNIT TO ANY AIR DISTRIBUTION DUCT OR SYSTEM. THIS APPLIANCE IS NOT INTENDED FOR COMMERCIAL USE.
- INSTALL VENT AT CLEARANCES SPECIFIED BY THE VENT MANUFACTURER.
- DO NOT INSTALL A FLUE DAMPER IN THE EXHAUST VENTING SYSTEM OF THIS UNIT.
- YOUR STOVE REQUIRES PERIODIC MAINTENANCE AND CLEANING (SEE "MAINTENANCE"). FAILURE TO MAINTAIN YOUR STOVE MAY LEAD TO IMPROPER AND/OR UNSAFE OPERATION.
- A POWER SURGE PROTECTOR IS REQUIRED. THIS UNIT MUST BE PLUGGED INTO A 110 - 120V, 60 HZ GROUNDED ELECTRICAL OUTLET. DO NOT USE AN ADAPTER PLUG OR SEVER THE GROUNDING PLUG. DO NOT ROUTE THE ELECTRICAL CORD UNDERNEATH, IN FRONT OF, OR OVER THE HEATER. DO NOT ROUTE THE CORD IN FOOT TRAFFIC AREAS OR PINCH THE CORD UNDER FURNITURE.

CAUTION:

BURNING FUEL CREATES CARBON MONOXIDE AND CAN BE HAZARDOUS TO YOUR HEALTH IF NOT PROPERLY VENTED.

ATTENTION:

- A WORKING SMOKE DETECTOR MUST BE INSTALLED IN THE SAME ROOM AS THIS PRODUCT.
- INSTALL A SMOKE DETECTOR ON EACH FLOOR OF YOUR HOME; IN CASE OF ACCIDENTAL FIRE FROM ANY CAUSE IT CAN PROVIDE TIME FOR ESCAPE.
- THE SMOKE DETECTOR MUST BE INSTALLED AT LEAST 15 FEET (4,57 M) FROM THE APPLIANCE IN ORDER TO PREVENT UNDUE TRIGGERING OF THE DETECTOR WHEN RELOADING.

CAUTION:

- USE OF OUTSIDE AIR IS NOT REQUIRED FOR THIS UNIT.
- DO NOT UNPLUG THE STOVE IF YOU SUSPECT A MALFUNCTION. TURN THE ON/OFF SWITCH TO "OFF" AND CONTACT YOUR DEALER.
- THE HEATER WILL NOT OPERATE DURING A POWER OUTAGE. IF A POWER OUTAGE DOES OCCUR, CHECK THE HEATER FOR SMOKE SPILLAGE AND OPEN A WINDOW IF ANY SMOKE SPILLS INTO THE ROOM.
- NEVER BLOCK FREE AIRFLOW THROUGH THE OPEN VENTS OF THE UNIT.



We recommend that our woodburning hearth products be installed and serviced by professionals who are certified in the U.S. by the National Fireplace Institute® (NFI) as NFI Woodburning Specialists or who are certified in Canada by Wood Energy Technical Training (WETT).



US Stove highly recommends your stove be installed by a qualified NFI (US) or WETT (Canada) technician. To find the nearest qualified installer, go to:

<https://nficertified.org>,

<https://www.wettinc.ca/>

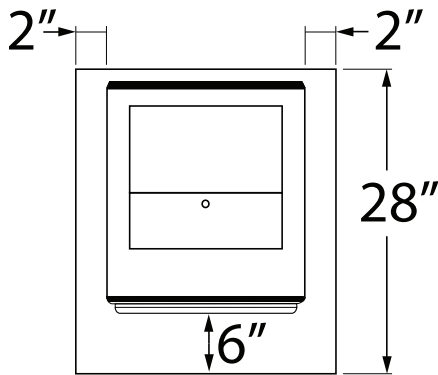
INSTALLATION

PREPARATION

Factory packaging must be removed, and some minor assembly work is required prior to installation. Access to the rear of the stove is necessary. The circuit board/control panel must be unpacked and installed in the side flashing on the insert or side panel on the freestanding. See installation instructions provided with the circuit board. NOTE: Normally, your dealer will perform these functions.

FLOOR PROTECTION

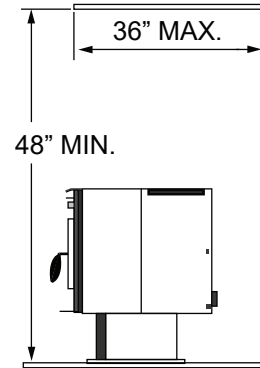
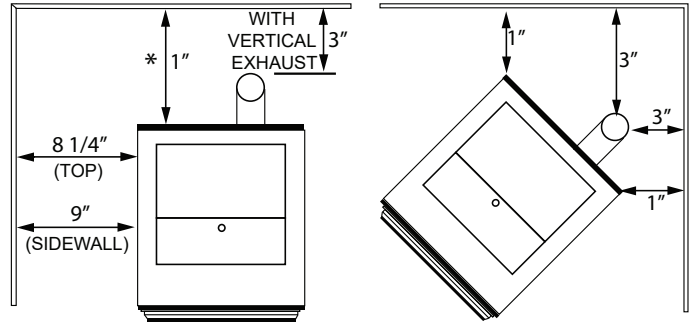
Freestanding installations-The stove must be placed on a continuous (grouted joints) noncombustible material such as ceramic tile, cement board, brick, 3/8" millboard or equivalent, or other approved or listed material suited for floor protection. THE MATERIAL(S) USED MUST HAVE, OR COMBINE TO HAVE, A MINIMUM INSULATION RATING OF 'R1'.



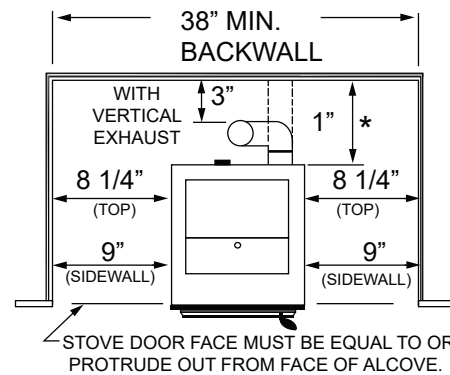
NOTE: ceramic tile, or any tile, requires a continuous sheet beneath to prevent the possibility of embers falling through to the combustible floor if cracks or separation should occur in the finished surface, this would include floor protection for Built-in raised hearths. Check local codes for approved alternatives. Clearances are measured from the sides, back and face (door opening) or stove body. DO NOT USE MAKESHIFT MATERIALS OR COMPROMISES IN THE INSTALLATION OF THIS UNIT. INSTALL VENT WITH CLEARANCES SPECIFIED BY THE VENT MANUFACTURER. CAUTION: DO NOT CONNECT TO OR USE IN CONJUNCTION WITH ANY AIR DISTRIBUTION DUCTWORK UNLESS SPECIFICALLY APPROVED FOR SUCH INSTALLATIONS.

CLEARANCES

This unit has been tested and listed for installation in residential, mobile home and alcove applications.



* WITH HORIZONTAL EXHAUST



ALCOVE CLEARANCES

COMBUSTION AIR SUPPLY

ATTENTION:

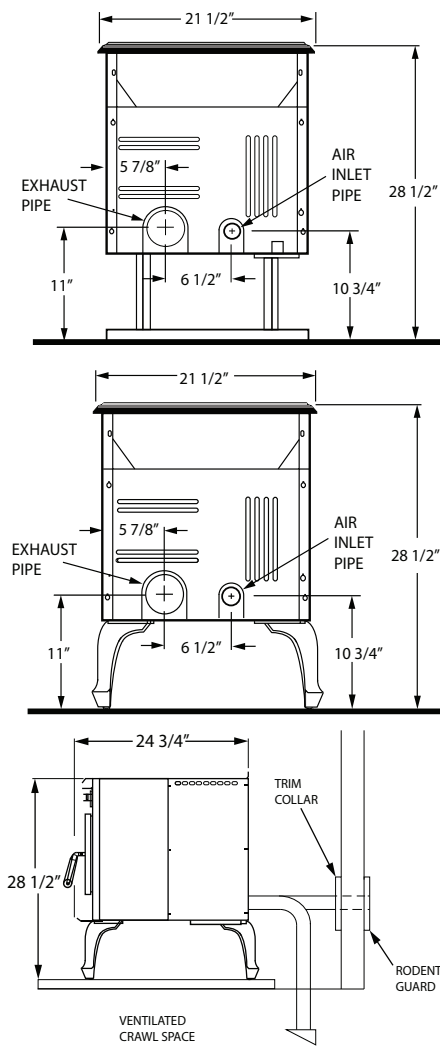
DO NOT VENT UNDER ANY PORCH, DECK, AWNING, OR IN ANY SEMI ENCLOSED OR ROOFED AREA. DOING SO MAY RESULT IN UNPREDICTABLE AIRFLOW AT THE VENT CAP UNDER CERTAIN CONDITIONS AND CAN AFFECT THE PERFORMANCE OF YOUR STOVE, AS WELL AS, OTHER UNFORESEEABLE ISSUES.

If outdoor combustion air is supplied the heater must be attached to the structure. For a mobile home installation the stove must be connected to an outside source of combustion air. A 2" inside diameter metallic pipe, either

flexible or rigid, may be attached to the inlet at the stove's rear. A rodent guard (minimum 1/4" wire mesh)/wind hood must be used at the terminus. All connections must be secured and airtight by either using the appropriately sized hose clamp and/or UL-181-AP foil tape. For mobile home installations only: 2" inside diameter pipe may be used for the first 5 feet of combustion air supply run. From 5 to 10 feet use 2-3/4" inside diameter pipe. No combustion air supply may exceed 10 feet.

Sources of Outside Combustion Air

- A hole in the floor near the stove rear terminating only in a ventilated crawl space.
- A hole in the wall behind the stove.



WHEN OUTSIDE AIR IS NOT USED

If outside air is not used, it is important that combustion air is easily available to the air inlet. A closeable outside air register can be used in tightly insulated homes.

IMPORTANCE OF PROPER DRAFT

Draft is the force which moves air from the appliance up through the chimney. The amount of draft in your chimney depends on the length of the chimney, local geography, nearby obstructions and other factors. Too much draft may cause excessive temperatures in the appliance. Inadequate draft may cause backpuffing into the room and 'plugging' of the chimney. Inadequate draft will cause the appliance to leak smoke into the room through appliance and chimney connector joints. An uncontrollable burn or excessive temperature indicates excessive draft. Take into account the chimney's location to ensure it is not too close to neighbors or in a valley which may cause unhealthy or nuisance conditions.

VENTING

WARNING:

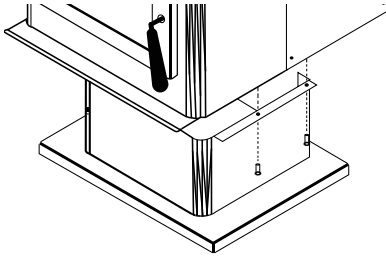
- **INSTALL VENT AT CLEARANCES SPECIFIED BY THE VENT MANUFACTURER.**
- **DO NOT CONNECT THE PELLET VENT TO A VENT SERVING ANY OTHER APPLIANCE OR STOVE.**
- **DO NOT INSTALL A FLUE DAMPER IN THE EXHAUST VENTING SYSTEM OF THIS UNIT.**

This unit is certified for use with listed TYPE PL-Vent, 3" or 4" diameter in size. The stove was tested with Simpson Duravent brand. Class "A" chimney is not required. Refer to the instructions provided by the vent manufacturer, especially when passing through a wall, ceiling or roof. This is a pressurized exhaust system. All vent connector joints must be sealed with 500°F (260°C) RTV silicone sealant to ensure consistent performance and avoid smoke spillage. All horizontal connector joints must be sealed with UL-181-AP foil tape. We recommend that all vertical vent connector joints be secured with a minimum of 3 screws. It is strongly recommended that you have a minimum of 6' of vertical pipe in your exhaust system. For best performance of the stove limit the number of elbows and horizontal pipe as much as possible. A chimney connector shall not pass through an attic or roof space, closet or similar concealed space, or a floor, or ceiling. Where passage through a wall, or partition of combustible construction is desired, the installation shall conform to CAN/CSA-B365, installation code for solid-Fuel-Burning appliances and equipment.

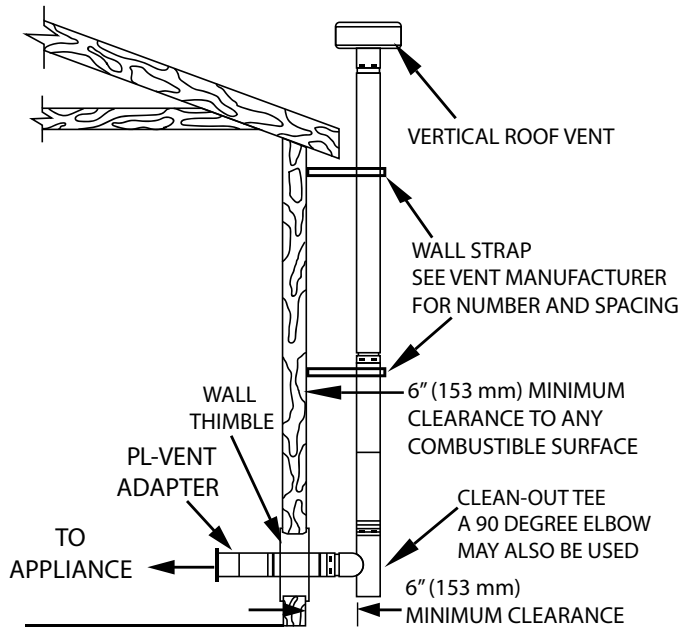
ASSEMBLING PEDESTAL OR LEG SET

If using a pedestal, follow the instructions inside the Pedestal Set. If using cast legs, follow the instructions inside the Leg Set. Legs are installed by using the four

bolts provided in the kit into the four holes under the stove at each corner, thread on nuts from the top and tighten. Make sure to save the hole plugs. NOTE: If converting from legs to pedestal the hole plugs must be installed in the unused holes.



HORIZONTALLY THROUGH WALL

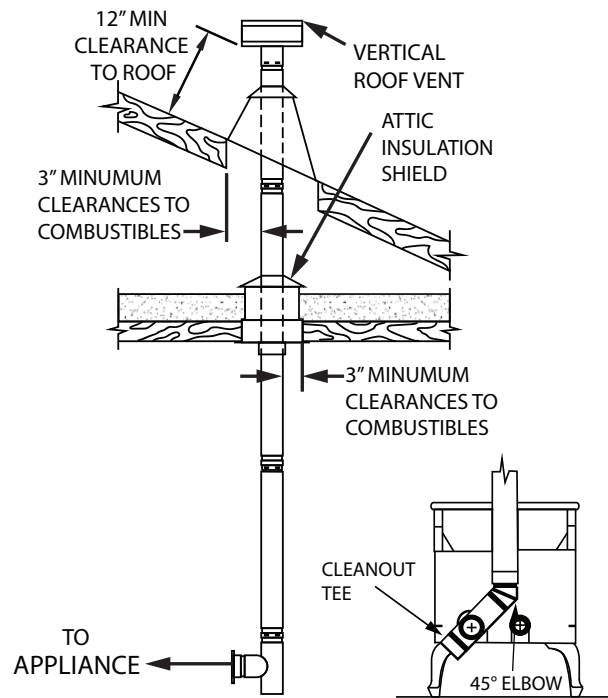


1. Position stove, adhering to clearances shown.
2. Locate position of hole in wall; directly behind stove exhaust vent.
3. Always maintain 3" clearance from combustible materials.
4. Install PL-Vent wall thimble per PL-Vent manufacturer's instructions.
5. Attach enough piping to penetrate and extend at least 6" beyond exterior walls. An 8-foot vertical pipe run is suggested where possible to reduce the possibility of smoke spillage in the event of a loss of negative pressure.
6. Attach cap and seal outside wall thimbles with non-hardening waterproof mastic.

7. Termination should not be located so that hot exhaust gases can ignite trees, shrubs, or grasses or be a hazard to children. Exhaust gases can reach temperatures of 500°F and cause serious burns if touched.

Locate terminations: a) not less than 3 feet above any forced air inlet located within 10 feet; b) not less than 4 feet below or horizontally from, or one foot above, any door, window or gravity air inlet into any building; c) not less than two feet from an adjacent building and not less than 7 feet above grade when located adjacent to a public walkway. Mobile home installations must use a spark arrester.

VERTICALLY WITH NEW CHIMNEY SYSTEM



OPTION: To achieve a center vertical installation a 45° elbow and a clean-out tee can be used to offset the pipe from the exhaust outlet to the rear center of the stove.

OPTION: Install PL-Vent elbow in place of clean-out tee. Locate stove. Drop plumb bob to center of tee outlet, mark point on ceiling. Install ceiling support and PL-Vent pipe per PL-Vent manufacturer's instructions.

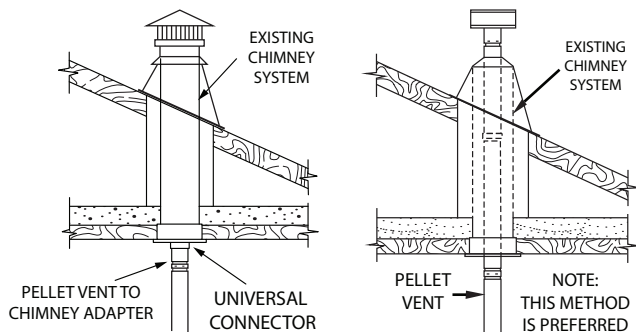
1. Always maintain 3" clearance from combustible materials. When passing through additional floors or ceilings, always install firestop spacer.
2. After lining up for hole in roof, cut either a round or square hole in roof, always 3" larger all the way around pipe. Install upper edge and sides of flashing

under roofing materials, nail to the roof along upper edge. Do not nail lower edge. Seal nail heads with non-hardening waterproof mastic.

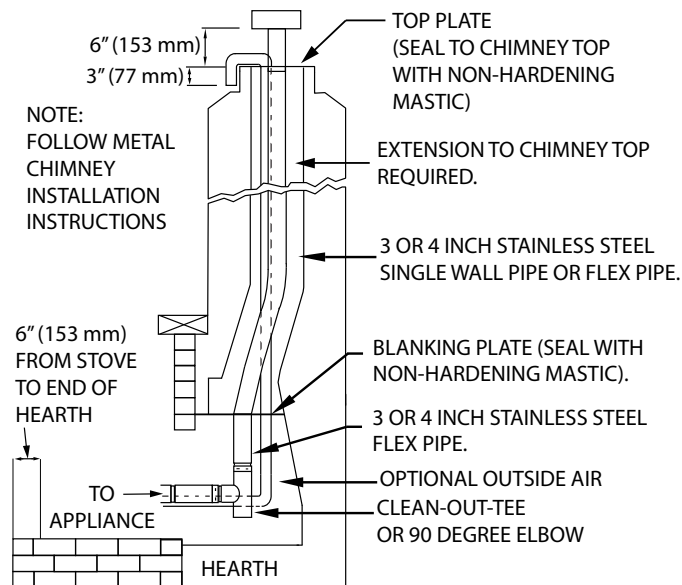
3. Apply non-hardening, waterproof mastic where the storm collar will meet the vent and flashing. Slide storm collar down until it sits on the flashing. Seal and install cap. Mobile home installations must use a spark arrester.

VERTICALLY INTO EXISTING CHIMNEY SYSTEM

Adapters are available to adapt from 3" PL-Vent to 6" or 8" Class-A chimney. As an alternative, 3" or 4" PL-Vent can be run inside existing chimney to termination. This is the preferred method. Follow guidelines for equivalent vent length.



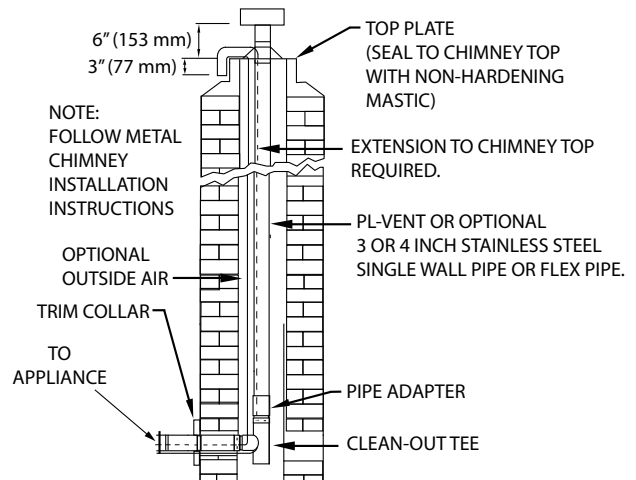
VERTICALLY INTO EXISTING MASONRY FIREPLACE



1. Have the masonry chimney inspected by a qualified chimney sweep or installer to determine its structural condition.

2. You will need a pipe length equal to the chimney height from the hearth. If outside combustion air is to be used, you will need a pipe length equal to the chimney height plus 18 inches.
3. Install a blanking plate and the chimney pipe, and if used the outside air pipe, as shown.
4. Attach the PL-Vent adapter, a section of pipe and clean out tee, making sure the clean out tee is centered in the chimney flue area. Use RTV, metallic tape, and a minimum of three self-taping screws at all joint connections to ensure a tight seal.
5. Position the stove, adhering to the clearances.
6. Measure and build chimney top plate. Cut out holes for chimney pipe, and if used the outside air pipe. Install and seal with non-hardening mastic to prevent water leakage. Install vent cap.

INSTALLATION THROUGH SIDE OF MASONRY CHIMNEY



1. Position the stove, adhering to the clearances. Mark the center of the hole where the pipe is to pierce the masonry chimney.
2. It will be necessary to break out the masonry around the location of the pipe center mark. Use a 4-inch diameter hole for 3-inch pipe and 5-inch diameter hole for 4-inch pipe.
3. Measure and build chimney top plate. Cut out holes for chimney pipe, and if used the outside air pipe.
4. Install the tee on the bottom of the vertical pipe system and lower it down the chimney until the center branch of the tee is level with the center of the hole in the masonry, as shown.
5. Install and seal the top plate from step 3 with non-hardening mastic. Slip the storm collar over the pipe,

and while holding the pipe at the proper elevation, affix the collar with a minimum of three 1/4" stainless steel sheet metal screws. Seal all joints and seams around the collar.

6. Connect the horizontal pipe by pushing it through the hole in the masonry and lining it up with the branch in the tee. Push the pipe into the tee while twisting it to lock it into the tee.
7. If desired, once the horizontal pipe is in place, the space between the pipe and masonry may be filled with high-temperature grout.
8. Install the trim collar. An adjustable pipe length and adapter may be needed to finish the connection to the stove.

ELECTRICAL INSTALLATION

This stove is provided with a 6-foot grounded electrical cord extending from the rear of the stove. We recommend connecting to a good quality surge protector that is plugged into a standard three-prong, 120V, 60hz electrical outlet. Voltage variations can lead to serious performance problems. The US Stove electrical system is designed for 120V AC with no more than 5% variation. US Stove cannot accept responsibility for poor performance or damage due to inadequate voltage. If connected to an older, two-prong outlet, a separate ground wire should be run to a proper ground (refer this to a qualified technician). Always route the electrical cord so that it will not come in contact with any hot part of the stove.

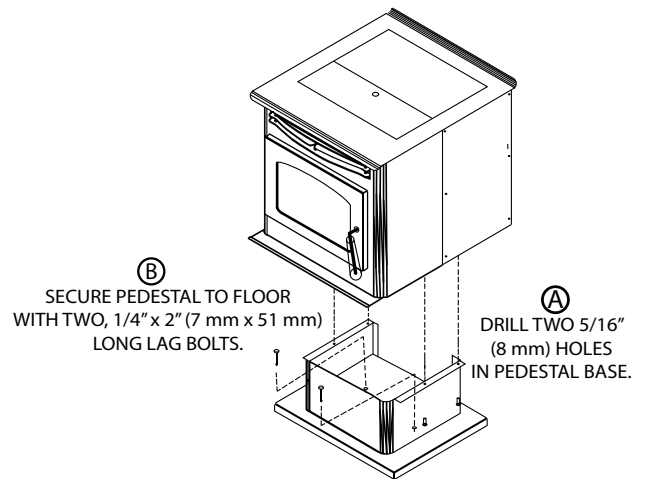
SPECIAL MOBILE HOME REQUIREMENTS

WARNING! DO NOT INSTALL IN SLEEPING ROOM.

CAUTION! THE STRUCTURAL INTEGRITY OF THE MOBILE HOME FLOOR, WALL, AND CEILING/ROOF MUST BE MAINTAINED.

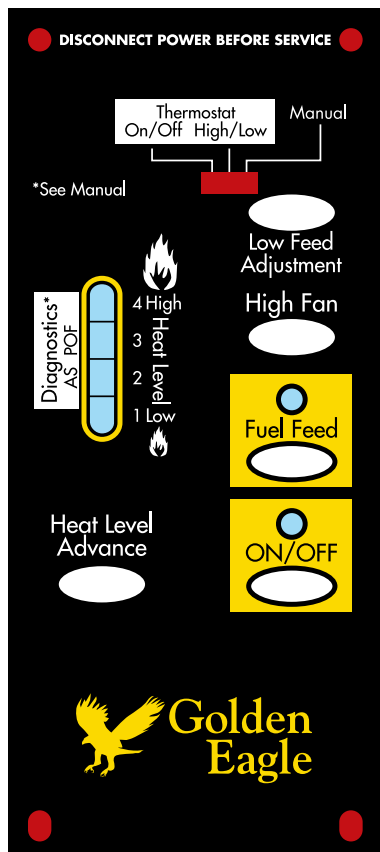
WHEN INSTALLED IN A MOBILE HOME, THE STOVE MUST BE GROUNDED DIRECTLY TO THE STEEL CHASSIS AND BOLTED TO THE FLOOR.

For installation in a mobile home, an outside source of combustion air must be used (see "COMBUSTION AIR SUPPLY"). This unit must be grounded to the steel chassis of the home with 8 Ga. copper wire using a serrated or star washer to penetrate paint or protective coating to ensure grounding. This unit must be securely fastened to the floor of the mobile home through the two holes in the rear of the stove using 2, 1/4" lag bolts that are long enough to go through both a hearth pad, if used, and the floor of the home. Refer to "VENTING" for proper exhaust configurations. **CAUTION: THE STRUCTURAL INTEGRITY OF THE MOBILE HOME FLOOR, WALL AND CEILING/ROOF MUST BE MAINTAINED.**



NEVER OPERATE THIS PRODUCT WHILE UNATTENDED

PANEL CONTROLS



The blowers and automatic fuel supply are controlled from a panel on this unit. The control panel functions are as follows.

ON/OFF SWITCH

- When pushed the stove will automatically ignite. No other firestarter is necessary. The igniter will stay on for at least 10 and up to 15 minutes, depending on when Proof of Fire is reached. The fire should start in about 5 minutes.
- The green light located above the On/Off button (in the On/Off box) will flash during the ignition start-up period.
- The Feed Rate Advance is inoperable during the ignition start period. When the red light continuously stays on the Feed Rate Advance can be adjusted to achieve the desired heat output.

NOTE: If the stove has been shut off, and you want to re-start it while it is still warm, the “On/Off” button must be held down for 2 seconds.

FUEL FEED SWITCH

- When the “Fuel Feed” button is pushed and held down the stove will feed pellets continuously into the burnpot.
- While the stove’s auger system is feeding pellets the amber light (in the “Fuel Feed” box) will be on.

CAUTION:

DO NOT USE THIS CONTROL DURING NORMAL OPERATION BECAUSE IT COULD SMOTHER THE FIRE AND LEAD TO A DANGEROUS SITUATION.

HIGH FAN SWITCH

- The room air fan speed varies directly with the feed rate. The “HIGH FAN” switch overrides this variable speed function. It will set the room air blower speed to high at any feed rate setting.
- When the “High Fan” button is pushed the room air fan will switch to its highest setting.
- When this button is pushed again the room air fan will return to its original setting based on the Feed Rate Advance setting.

RESET TRIM

Different size and quality pellet fuel may require adjustment of the “1” feed setting on the Feed Rate Advance bar graph. This is usually a one-time adjustment based on the fuel you are using. The “Reset Trim” button when adjusted will allow for 3 different feed rate settings for the #1 feed setting only. To adjust simply push the “Reset Trim” button while the stove is operating at setting “1” and watch the bar graph.

- When the “1” and “3” lights are illuminated on the bar graph the low feed rate is at its “lowest” setting. (approx. 0.9 pounds per hour)
- When the “1” light is illuminated on the bar graph the low feed rate is at its “normal” setting.
- When the “1” & “4” lights are illuminated on the bar graph the low feed rate is at its “highest” setting.

NOTE: When the stove is set on “1” the “reset trim” values will be shown on the Feed Rate Advance bar graph. For example if the Reset Trim is set to its lowest setting every time the stove is set to low the “1” and “3” lights will be illuminated on the bar graph.

HEAT LEVEL ADVANCE

- This button when pushed will set the pellet feed rate, hence the heat output of your stove. The levels of heat output will incrementally change on the bar graph starting from level “1” to “4”.

NOTE: When dropping more than 2 heat level settings (i.e. 4 to 1) push the ‘High Fan’ button and allow the room air fan to run at that setting for at least 5 minutes to prevent the stove from tripping the high temp thermodisc. If the high temp thermodisc does trip (see “Safety Features” section of this manual).

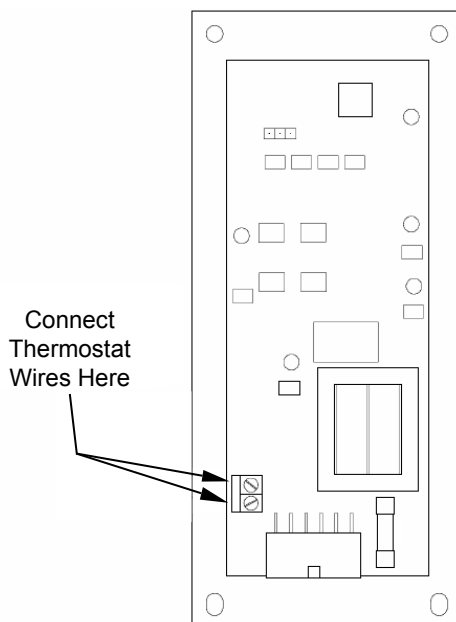
CAUTION:

THE “4” SETTING IS DESIGNED FOR TEMPORARY USE ONLY. IF USED FOR EXTENDED PERIODS, IT CAN SHORTEN THE LIFE EXPECTANCY OF THE UNITS COMPONENTS. AVOID USE AT THIS SETTING FOR MORE THAN ONE HOUR AT A TIME.

OPTIONAL THERMOSTAT

An optional thermostat may help you maintain a constant house temperature automatically. A millivolt thermostat is required. The control panel can be set up two ways to operate your stove in thermostat mode.

On/Off High/Low Manual



THERMOSTAT INSTALLATION

- A MILLIVOLT THERMOSTAT IS REQUIRED.
- Unplug stove from power outlet.
- Remove control board from stove.
- The two thermostat wires connect to the terminal block on the lower left side of the back of the control board.
- Insert wires in the terminal side and tighten the two screws.

MODES

TO SWITCH BETWEEN ANY OF THE THREE MODES, THE STOVE MUST BE SHUT OFF, THE NEW MODE SELECTED AND THE STOVE RESTARTED.

MANUAL MODE

- USE THIS MODE EXCLUSIVELY IF YOU DO NOT CONNECT AN OPTIONAL THERMOSTAT.
- In this mode, the stove will operate only from the control panel as detailed in the “Operation” section of this owner’s manual.

HIGH/LOW THERMOSTAT MODE

- USE THIS MODE ONLY IF YOU CONNECT A THERMOSTAT.
- When engaged in this mode, the stove will automatically switch between two settings. When warm enough, it will switch to the #1 or low setting. The room air blower will also slow to its lowest speed.
- The Heat Level Advance setting on the bar graph will stay where it was initially set. When the home cools below the thermostat setting, the stove will switch to the feed rate of the heat level advance setting.

ON/OFF THERMOSTAT MODE

- USE THIS MODE ONLY IF YOU CONNECT A THERMOSTAT
- In this mode, when the home is warm enough, the stove will shut off. The fans will continue to run until the stove cools.
- When the home cools below the thermostat setting, the stove will automatically restart and run at the last feed rate setting.

NOTE: When in “High/Low” or “On/Off” thermostat mode

- Do not operate the stove higher than the #3 setting.
- Set damper control rod approximately 1/4” (7 mm) to 1/2” (13 mm) out. This will vary depending on elevation and weather conditions. Observe stove operation and adjust damper as necessary.

WARNING:

- **DO NOT USE CHEMICALS OR FLUIDS TO START THE FIRE - NEVER USE GASOLINE, GASOLINE-TYPE LANTERN FUEL, KEROSENE, CHARCOAL LIGHTER FLUID, OR SIMILAR LIQUIDS TO START OR “FRESHEN UP” A FIRE IN THIS STOVE. KEEP ALL SUCH LIQUIDS WELL AWAY FROM THE STOVE WHILE IT IS IN USE.**
- **HOT WHILE IN OPERATION. KEEP CHILDREN, CLOTHING AND FURNITURE AWAY. CONTACT MAY CAUSE SKIN BURNS.**

This heater is designed to burn only PFI Premium grade pellets. DO NOT BURN:

1. Garbage;
2. Lawn clippings or yard waste;
3. Materials containing rubber, including tires;
4. Materials containing plastic;
5. Waste petroleum products, paints or paint thinners, or asphalt products;
6. Materials containing asbestos;
7. Construction or demolition debris;
8. Railroad ties or pressure-treated wood;
9. Manure or animal remains;
10. Salt water driftwood or other previously salt water saturated materials;
11. Unseasoned wood; or
12. Paper products, cardboard, plywood, or particleboard.
The prohibition against burning these materials does not prohibit the use of fire starters made from paper, cardboard, saw dust, wax and similar substances for the purpose of starting a fire in an affected wood heater.

Burning these materials may result in release of toxic fumes or render the heater ineffective and cause smoke.

PROPER FUEL

ATTENTION:

THIS APPLIANCE IS DESIGNED FOR THE USE OF PELLETIZED FUEL THAT MEET OR EXCEED THE STANDARD SET BY THE PELLET FUEL INSTITUTE (PFI).

Your pellet stove is designed to burn premium hardwood pellets that comply with the Pellet Fuels Institute (PFI)

standard (minimum of 40 lbs density per cubic ft, 1/4” to 5/16” diameter, length no greater than 1.5”, not less than 8,200 BTU/lb, moisture under 8% by weight, ash under 1% by weight, and salt under 300 parts per million). Pellets that are soft, contain excessive amounts of loose sawdust, have been, or are wet, will result in reduced performance. Store your pellets in a dry place. DO NOT store the fuel within the installation clearances of the unit or within the space required for refuelling and ash removal. Doing so could result in a house fire. Do not over fire or use volatile fuels or combustibles, doing so may cause a personal and property damage hazards. THIS STOVE IS APPROVED FOR BURNING PELLETIZED WOOD FUEL ONLY ! Factory-approved pellets are those 1/4” or 5/16” in diameter and not over 1” long. Longer or thicker pellets sometimes bridge the auger flights, which prevents proper pellet feed. Burning wood in forms other than pellets is not permitted. It will violate the building codes for which the stove has been approved and will void all warranties. The design incorporates automatic feed of the pellet fuel into the fire at a carefully prescribed rate. Any additional fuel introduced by hand will not increase heat output but may seriously impair the stoves performance by generating considerable smoke. Do not burn wet pellets. The stove’s performance depends heavily on the quality of your pellet fuel. Avoid pellet brands that display these characteristics:

- Excess Fines – “Fines” is a term describing crushed pellets or loose material that looks like sawdust or sand. Pellets can be screened before being placed in hopper to remove most fines.
- Binders – Some pellets are produced with materials to hold the together, or “bind” them.
- High ash content – Poor quality pellets will often create smoke and dirty glass. They will create a need for more frequent maintenance. You will have to empty the burn pot plus vacuum the entire system more often. Poor quality pellets could damage the auger. We cannot accept responsibility for damage due to poor quality pellet.

CAUTION:

- **KEEP FOREIGN OBJECTS OUT OF THE HOPPER.**
- **THE MOVING PARTS OF THIS STOVE ARE PROPELLED BY HIGH TORQUE ELECTRIC MOTORS. KEEP ALL BODY PARTS AWAY FROM THE AUGER WHILE THE STOVE IS PLUGGED INTO AN ELECTRICAL OUTLET. THESE MOVING PARTS MAY BEGIN TO MOVE AT ANY TIME WHILE THE STOVE IS PLUGGED IN.**

PRE-START-UP CHECK

Remove burn pot, making sure it is clean and none of the air holes are plugged. Clean the firebox, and then reinstall burn pot. Clean door glass if necessary (a dry cloth or paper towel is usually sufficient). Never use abrasive cleaners on the glass or door. Check fuel in the hopper, and refill if necessary.

BUILDING A FIRE

Never use a grate or other means of supporting the fuel. Use only the burn pot supplied with this heater. Hopper lid must be closed in order for the unit to feed pellets. During the start-up period:

- Make sure the burn pot is free of pellets.
- DO NOT open the viewing door.
- The damper may need to be closed during startup.
- DO NOT add pellets to the burn pot by hand.

NOTE: During the first few fires, your stove will emit an odor as the high-temperature paint cures or becomes seasoned to the metal. Maintaining smaller fires will minimize this. Avoid placing items on the stovetop during this period because the paint could be affected. Attempts to achieve heat output rates that exceed heater design specifications can result in permanent damage to the heater.

AUTOMATIC IGNITOR

1. Fill hopper and clean burn pot.
2. Press “On/Off” button. Make sure green light comes on.
3. The damper should be completely closed or open no more than 1/4 of the way during start-up. This will vary depending on your installation and elevation. Once fire is established adjust for desired flame increasing the amount the damper is open as the heat setting is increased (see “Damper Control”).
4. Adjust feed rate to desired setting by pressing “Heat Level Advance” button.

DAMPER CONTROL

The damper control rod is necessary due to the varied burn characteristics of individual installations, different pellet brands and pellet feed rates. It allows you to improve the efficiency of your stove. Providing correct combustion air will reduce the frequency of cleaning your glass door and prevent the rapid buildup of creosote inside your stove and chimney. You should adjust the damper based on the fire’s appearance. A low, reddish, dirty fire can be improved by pulling the damper out

slightly. A “blow torch” fire can be improved by pushing the damper in a bit. As a general rule, on lower feed rate settings, the damper should be in farther. On higher feed rates, the damper should be more open. Through trial and error, you will find the best setting. Consult your dealer if you need help. NOTE: On “1”, damper should be either completely closed or out approximately 1/8” to 1/4” (4 mm to 7 mm). If damper is out too far, it can cause the fire to go out.

OPENING DOOR

CAUTION:
<ul style="list-style-type: none">• DO NOT OPERATE YOUR STOVE WITH THE VIEWING DOOR OPEN. THE AUGER WILL NOT FEED PELLETS UNDER THESE CIRCUMSTANCES AND A SAFETY CONCERN MAY ARISE FROM SPARKS OR FUMES ENTERING THE ROOM.• THE VIEWING DOOR MUST BE CLOSED AND SEALED DURING OPERATION.

If the door is opened while the stove is in operation it must be closed within 30 seconds or the stove will shut down. If the stove shuts down push the “On/Off” button to re-start your stove. The stove will have to fully shut down and turn off before you will be able to restart the stove.

ROOM AIR FAN

When starting your stove the Room Air Fan will not come on until the stove’s heat exchanger warms up. This usually takes about 10 minutes from start-up.

IF STOVE RUNS OUT OF PELLETS

- The fire goes out and the auger motor and blowers will run until the stove cools. This will take 30 to 45 minutes.
- After the stove components stop running the “Power” and the bar graph lights stay on for 10 minutes.
- After the 10 minutes the “3” light on the bar graph will flash and the “Power” light will go off.
- To restart, refill hopper, press “Power” button, and then press “Fuel Feed” button until pellets begin to fall into burnpot.

REFUELLING

CAUTION:

- **THE HOPPER AND STOVE TOP WILL BE HOT DURING OPERATION; THEREFORE, YOU SHOULD ALWAYS USE SOME TYPE OF HAND PROTECTION WHEN REFUELING YOUR STOVE.**
- **DO NOT TOUCH THE HOT SURFACES OF THE STOVE. EDUCATE ALL CHILDREN ON THE DANGERS OF A HIGH-TEMPERATURE STOVE. YOUNG CHILDREN SHOULD BE SUPERVISED WHEN THEY ARE IN THE SAME ROOM AS THE STOVE.**
- **NEVER PLACE YOUR HAND NEAR THE AUGER WHILE THE STOVE IS IN OPERATION.**
- **WE RECOMMEND THAT YOU NOT LET THE HOPPER DROP BELOW 1/4 FULL.**
- **KEEP HOPPER LID CLOSED AT ALL TIMES EXCEPT WHEN REFILLING.**
- **WARNING: DO NOT ADD PELLETS TO THE BURNPOT BY HAND AT ANY TIME, A DANGEROUS CONDITION COULD RESULT.**
- **DO NOT OVERFILL HOPPER.**

A tool has been provided to help with the following functions:

- a. Stirring pellets in hopper – unlike liquids in a tank, pellets do not drain evenly into the auger. Bridging across the opening can occur. Pellets can hang up on the sides of the hopper. Occasionally “stirring” the hopper can help. NOTE: To help prevent bridging of pellets, common wax paper can be rubbed on the sidewalls and bottom of the hopper.
- b. Cleaning heat exchanger tubes (see “Cleaning” section of this manual).
- c. Scrape ashes from burnpot.

WARNING:

ATTEMPTS TO ACHIEVE HEAT OUTPUT RATES THAT EXCEED HEATER DESIGN SPECIFICATIONS CAN RESULT IN PERMANENT DAMAGE TO THE HEATER.

SHUTDOWN PROCEDURE

WARNING:

NEVER SHUT DOWN THIS UNIT BY UNPLUGGING IT FROM THE POWER SOURCE.

Turning your stove off is a matter of pressing the “Power” control panel switch. The red light will go out. The blowers will continue to operate until internal firebox temperatures have fallen to a preset level.

TAMPER WARNING

This wood heater has a manufacturer-set minimum low burn rate that must not be altered. It is against federal regulations to alter this setting or otherwise operate this wood heater in a manner inconsistent with operating instructions in this manual.

SAFETY FEATURES

Your stove is equipped with a high temperature thermodisc. This safety switch has two functions.

1. To recognize an overheat situation in the stove and shut down the fuel feed or auger system.
2. In case of a malfunctioning convection blower, the high-temperature thermodisc will automatically shut down the auger, preventing the stove from overheating.

NOTE: On some units, once tripped, like a circuit breaker, the reset button will have to be pushed before restarting your stove. On other units the thermodisc has no reset button and will reset itself once the stove has cooled. The manufacturer recommends that you call your dealer if this occurs as this may indicate a more serious problem. A service call may be required.

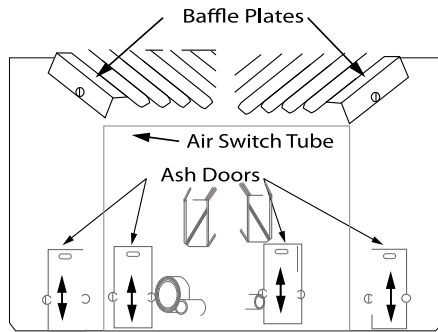
3. If the combustion blower fails, an air pressure switch will automatically shut down the auger.

NOTE: Opening the stove door for more than 30 seconds during operation will cause enough pressure change to activate the air switch, shutting the fuel feed off. Close the door and press “On/Off” button to continue operation of your stove.

CLEANING

Heat Exchange Tubes – Your stove is designed with a built-in heat exchange tube cleaner. This should be used every two or three days to remove accumulated ash on the tubes, which reduces heat transfer. Insert the handle end (with hole) of the cleaning tool onto the cleaning rod. The cleaner rod is located in the grill above the stove door. Move the cleaner rod back and forth several times to clean the heat exchanger tubes. Be sure to leave tube cleaner at the rear of the stove.

Interior Chambers – Four ash doors and two upper baffles in the firebox of this unit can be removed for periodic cleaning. These doors allow access to the chamber surrounding the firebox.



NOTE: When removing the upper baffles do not remove the screws; just loosen them enough to allow the baffles to be removed. Periodically, you must vacuum ashes from this chamber. In some cases you will need to remove creosote, which can accumulate rapidly under certain conditions. A small wire brush can be used. It is important to remove this creosote because it is highly combustible. INSPECT BEHIND THESE CLEANING PLATES AT LEAST ONCE PER TON OF PELLETS BURNED UNTIL YOU ARE FAMILIAR WITH HOW ASHES AND CREOSOTE ACCUMULATE WITH YOUR OPERATING PRACTICES. Use the small wire brush to also clean the inside of the chamber walls, above the access doors.

CAUTION:

- **DO NOT OPERATE YOUR STOVE IF YOU SMELL SMOKE COMING FROM IT. TURN IT OFF, MONITOR IT, AND CALL YOUR DEALER.**
- **DO NOT OPERATE THE STOVE IF THE FLAME BECOMES DARK AND SOOTY OR IF THE BURNPOT OVERFILLS WITH PELLETS. TURN THE STOVE OFF, PERIODICALLY INSPECT IT, AND CALL YOUR DEALER**

CAUTION:

IF THE STOVE IS INSTALLED IN A ROOM WITHOUT AIR CONDITIONING, OR IN AN AREA WHERE DIRECT SUNLIGHT CAN SHINE ON THE UNIT, IT IS POSSIBLE THIS CAN CAUSE THE TEMPERATURE OF THE STOVE TO RISE TO OPERATIONAL LEVELS; ONE OF THE SENSORS COULD THEN MAKE THE STOVE START ON ITS OWN. IT IS RECOMMENDED THAT THE STOVE BE UNPLUGGED WHEN NOT IN USE FOR EXTENDED AMOUNTS OF TIME (I.E. DURING THE SUMMER MONTHS).

MAINTENANCE

NEVER OPERATE THIS PRODUCT WHILE UNATTENDED

CAUTION:

- **FAILURE TO CLEAN AND MAINTAIN THIS UNIT AS INDICATED CAN RESULT IN POOR PERFORMANCE, SAFETY HAZARDS, FIRE, AND EVEN DEATH.**
- **NEVER PERFORM ANY INSPECTIONS, CLEANING, OR MAINTENANCE ON A HOT STOVE.**
- **DISCONNECT THE POWER CORD BEFORE PERFORMING ANY MAINTENANCE! NOTE: TURNING THE ON/OFF SWITCH TO "OFF" DOES NOT DISCONNECT ALL POWER TO THE ELECTRICAL COMPONENTS OF THE STOVE.**
- **DO NOT OPERATE STOVE WITH BROKEN GLASS, LEAKAGE OF FLUE GAS MAY RESULT.**
- **DO NOT ABUSE THE DOOR GLASS BY STRIKING, SLAMMING OR SIMILAR TRAUMA. DO NOT OPERATE THE STOVE WITH THE GLASS REMOVED, CRACKED OR BROKEN.**

CREOSOTE FORMATION, INSPECTION, & REMOVAL

CAUTION:

THE EXHAUST SYSTEM SHOULD BE CHECKED MONTHLY DURING THE BURNING SEASON FOR ANY BUILD-UP OF SOOT OR CREOSOTE.

When any wood is burned slowly, it produces tar and other organic vapors, which combine with expelled moisture to form creosote. The creosote vapors condense in the relatively cool chimney flue or a newly started fire or from a slow-burning fire. As a result, creosote residue accumulates on the flue lining. When ignited, this creosote makes an extremely hot fire, which may damage the chimney or even destroy the house. Despite their high efficiency, pellet stoves can accumulate creosote under certain conditions. The chimney connector and chimney should be inspected by a qualified person annually or per ton of pellets to determine if a creosote or fly ash build-

up has occurred. If creosote has accumulated, it should be removed to reduce the risk of a chimney fire. Inspect the system at the stove connection and at the chimney top. Cooler surfaces tend to build creosote deposits quicker, so it is important to check the chimney from the top as well as from the bottom. The creosote should be removed with a brush specifically designed for the type of chimney in use. A qualified chimney sweep can perform this service. It is also recommended that before each heating season the entire system be professionally inspected, cleaned and, if necessary, repaired. To clean the chimney, disconnect the vent from the stove.

FLY ASH

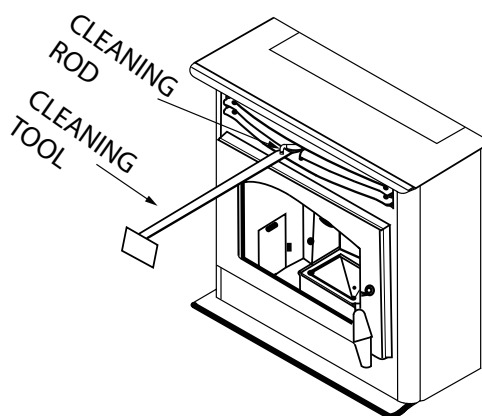
This accumulates in the horizontal portion of an exhaust run. Though non-combustible, it may impede the normal exhaust flow. It should therefore be periodically removed.

ASH REMOVAL & DISPOSAL

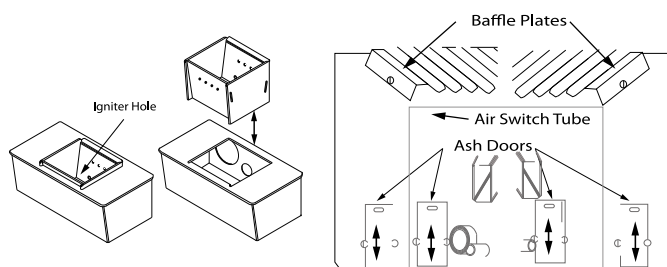
CAUTION:
ALLOW THE STOVE TO COOL BEFORE PERFORMING ANY MAINTENANCE OR CLEANING. ASHES MUST BE DISPOSED IN A METAL CONTAINER WITH A TIGHT FITTING LID. THE CLOSED CONTAINER OF ASHES SHOULD BE PLACED ON A NON-COMBUSTIBLE SURFACE OR ON THE GROUND, WELL AWAY FROM ALL COMBUSTIBLE MATERIALS, PENDING FINAL DISPOSAL.

Remove the ashes periodically to avoid unnecessary ash build up. Remove ashes when unit has cooled. Ashes should be placed in a metal container with a tight fitting lid. The closed container of ashes should be placed on a noncombustible floor or on the ground, well away from all combustible materials, pending final disposal. If the ashes are disposed of by burial in soil or otherwise locally dispersed, they should be retained in the closed container until all embers have been thoroughly cooled. The container shall not be used for other trash or waste disposal. If combined with combustible substances, ashes and embers may ignite. Ash removal is as follows:

1. Make sure fire is out and firebox is cool.
2. Clean heat exchanger tubes (see "Cleaning" section of this manual).



3. Remove the burn pots inner section by grasping it and pulling straight up.



4. Empty ashes from the inner section and scrape with cleaning tool; make sure holes are not plugged.
5. Vacuum to remove ashes from the burn chamber interior and the burnpot shell.
6. Dispose of ashes properly (see "Ash Removal" section of this manual).
7. Replace inner section into burnpot; make sure it is level and pushed all the way back down and that the igniter hole is to the rear when it is reinstalled.
8. Make sure the burnpot is level and pushed all the way in, if the collar on the burnpot attached to the fresh air tube is not pushed back to meet the firebox wall, the automatic igniter will not work properly.

SMOKE AND CO MONITORS

Burning wood naturally produces smoke and carbon monoxide (CO) emissions. CO is a poisonous gas when exposed to elevated concentrations for extended periods of time. While the modern combustion systems in heaters drastically reduce the amount of CO emitted out the chimney, exposure to the gases in closed or confined areas can be dangerous. Make sure your stove gaskets and chimney joints are in good working order and sealing properly to ensure unintended exposure. It is recommended that you use both smoke and CO monitors in areas having the potential to generate CO.

CHECK & CLEAN THE HOPPER

Check the hopper periodically to determine if there is any sawdust (fines) that is building up in the feed system or pellets that are sticking to the hopper surface. Clean as needed.

DOOR & GLASS GASKETS

Inspect the main door and glass window gaskets periodically. The main door may need to be removed to have frayed, broken, or compacted gaskets replaced by your authorized dealer. This unit's door uses a 3/4" diameter rope gasket.

BLOWERS

DANGER:
RISK OF ELECTRIC SHOCK. DISCONNECT POWER BEFORE SERVICING UNIT.

Clean the air holes on the motors of both the exhaust and distribution blowers annually. Remove the exhaust blower from the exhaust duct and clean out the internal fan blades as part of your fall start-up. If you have indoor pets your power motors should be inspected monthly to make sure they are free of animal hair build up. Animal hair build up in blowers can result in poor performance or unforeseen safety hazards.

REMOVAL AND REPLACEMENT OF BROKEN DOOR GLASS

While wearing leather gloves (or any other gloves suitable for handling broken glass), carefully remove any loose pieces of glass from the door frame. Dispose of all broken glass properly. Return the damaged door to your dealer for repair or replacement. Neither the appliance owner nor any other unauthorized person(s) should replace the door glass. An authorized dealer must perform all repairs involving door glass.

FALL START UP

Prior to starting the first fire of the heating season, check the outside area around the exhaust and air intake systems for obstructions. Clean and remove any fly ash from the exhaust venting system. Clean any screens on the exhaust system and on the outside air intake pipe. Turn all of the controls on and make sure that they are working properly. This is also a good time to give the entire stove a good cleaning throughout.

SPRING SHUTDOWN

After the last burn in the spring, remove any remaining pellets from the hopper and the auger feed system. Scoop out the pellets and then run the auger until the hopper is empty and pellets stop flowing (this can be done by pressing the "ON" button with the viewing door open). Vacuum out the hopper. Thoroughly clean the burn pot, and firebox. It may be desirable to spray the inside of the cleaned hopper with an aerosol silicone spray if your stove is in a high humidity area. The exhaust system should be thoroughly cleaned.

MAINTENANCE SCHEDULE

Use the following as a guide under average use conditions. Gaskets around door and door glass should be inspected and repaired or replaced when necessary.

	Daily	Weekly	Monthly or as needed
Burn Pot	Stirred	Empty	
Combustion Chamber		Brushed	
Ashes		Check	Empty
Interior Chambers			Vacuumed
Combustion Blower Blades			Vacuumed / Brushed
Convection Blower Impeller			Vacuumed / Brushed
Vent System			Cleaned
Gaskets			Inspected
Glass	Wiped	Cleaned	
Hopper (end of season)			Empty & Vacuumed

CAUTION:
THIS WOOD HEATER NEEDS PERIODIC INSPECTION AND REPAIR FOR PROPER OPERATION. IT IS AGAINST FEDERAL REGULATIONS TO OPERATE THIS WOOD HEATER IN A MANNER INCONSISTENT WITH OPERATING INSTRUCTIONS IN THIS MANUAL.

When your stove acts out of the ordinary, the first reaction is to call for help. This guide may save time and money by enabling you to solve simple problems yourself. Problems encountered are often the result of only five factors: 1) poor fuel; 2) poor operation or maintenance; 3) poor installation; 4) component failure; 5) factory defect. You can usually solve those problems related to 1 and 2. Your dealer can solve problems relating to 3, 4 and 5. Refer to diagrams on page 20 to help locate indicated parts. For the sake of troubleshooting and using this guide to assist you, you should look at your heat level setting to see which light is flashing.

**** CAUTION – UNPLUG THE STOVE FROM ALL POWER PRIOR TO ATTEMPTING TO SERVICE THE UNIT! ****

STOVE SHUTS OFF AND THE #2 LIGHT FLASHES	
Possible Causes:	Possible Remedies:
Airflow switch hose or stove attachment pipes for hose are blocked.	Unhook air hose from the air switch and blow through it. If air flows freely, the hose and tubes are fine. If air will not flow through the hose, use a wire coat hanger to clear the blockage.
The air inlet, burnpot, interior combustion air chambers, combustion blower, or exhaust pipe are blocked with ash or foreign material.	Follow all clearing procedures in the maintenance section of the owner's manual.
The firebox is not properly sealed.	Make sure the door is closed and that the gasket is in good shape. If the ash door has a latch, make sure the ash door is properly latched and the gasket is sealing good. If the stove has just a small hole for the ashes to fall through under the burnpot, make sure the slider plate is in place to seal off the firebox floor.
Vent pipe is incorrectly installed.	Check to make sure vent pipe installation meets criteria in owner's manual.
The airflow switch wire connections are bad.	Check the connectors that attach the gray wires to the air switch.
The gray wires are pulled loose at the Molex connector on the wiring harness.	Check to see if the gray wires are loose at the Molex connector.
Combustion blower failure	With the stove on, check to see if the combustion blower is running. If it is not, you will need to check for power going to the combustion blower. It should be a full current. If there is power, the blower is bad. If there is not, see #8.
Control board not sending power to combustion blower.	If there is no current going to the combustion blower, check all wire connections. If all wires are properly connected, you have a bad control board.
Control board not sending power to air switch.	There should be a 5-volt current (approximately) going to the air switch after the stove has been on for 30 seconds.
Air switch has failed (very rare).	To test air switch, you will need to disconnect the air hose from the body of the stove. With the other end still attached to the air switch, very gently suck on the loose end of the hose (you may want to remove the hose entirely off the stove and the air switch first and make sure it is clear). If you hear a click, the air switch is working. BE CAREFUL! TOO MUCH VACUUM CAN DAMAGE THE AIR SWITCH.

TROUBLESHOOTING GUIDE



STOVE SHUTS OFF AND THE #3 LIGHT FLASHES	
Possible Causes:	Possible Remedies: (Unplug stove first when possible)
The hopper is out of pellets.	Refill the hopper
The air damper is too far open for a low feed setting.	If burning on the low setting, you may need to close the damper all the way (push the knob in so it touches the side of the stove).
The burnpot is not pushed completely to the rear of the firebox.	Make sure that the air intake collar on the burnpot is touching the rear wall of the firebox.
The burnpot holes are blocked.	Remove the burnpot and thoroughly clean it.
The air inlet, the interior chambers, or exhaust system has a partial blockage.	Follow all cleaning procedures in the maintenance section of the owner's manual.
The hopper safety switch has failed or hopper is open.	When operating the unit, be sure the hopper lid is closed so that the hopper safety switch will activate. Check the wires leading from the hopper safety switch to the control panel and auger motor for secure connections. Use a continuity tester to test the hopper safety switch, replace if necessary.
The auger is jammed.	Start emptying the hopper. Then remove the auger motor by removing the auger pin. Remove the auger shaft. Gently lift the auger shaft straight up so that the end of the auger shaft comes up out of the bottom auger bushing. Next, remove the two nuts that hold the top auger biscuit in. Then rotate the bottom end of the auger shaft up towards you until you can lift the shaft out of the stove. After you have removed the shaft, inspect it for bent flights, burrs, or broken welds. Remove any foreign material that might have caused the jam. Also, check the auger tube for signs of damage such as burrs, rough spots, or grooves cut into the metal that could have caused a jam.
The auger motor has failed.	Remove the auger motor from the auger shaft and try to run the unit. If the motor will turn, the shaft is jammed on something. If the motor will not turn, the motor is bad.
The Proof of Fire (POF) thermomdisc has malfunctioned.	Temporarily bypass the POF thermomdisc by disconnecting the two brown wires and connecting them with a short piece of wire. Then plug the stove back in. If the stove comes on and works, you need to replace the POF thermomdisc. This is for testing only. DO NOT LEAVE THE THERMOMDISC BYPASSED. Your blowers will never shut off and if the fire went out, the auger will continue to feed pellets until the hopper is empty if you leave the POF thermomdisc bypassed.
The high limit thermomdisc has tripped or is defective	Wait for the stove to cool for about 30-45 minutes. It should now function normally. If not, use the owner's manual to locate the high limit thermomdisc. To test if the thermomdisc is bad, you can bypass it as described previously for the POF thermomdisc.
The fuse on the control board has blown.	Remove the control board. On the back, there is one fuse. If it appears to be bad, replace it with a 5 Amp 125 Volt fuse. Plug the stove back in and try to run the unit.
The control board is not sending power to the POF thermomdisc or other auger system components.	There should be a 5-volt (approximately) current going to the POF thermomdisc after the stove has been on for 10 minutes.

STOVE FEEDS PELLETS, BUT WILL NOT IGNITE	
Possible Causes:	Possible Remedies:
Air damper open too far for ignition.	Push the air damper in closer to the side of the stove for start-up. In some situations, it may be necessary to have the damper completely closed for ignition to take place. After there is a flame, the damper can then be adjusted for the desired feed setting.
Blockage in igniter tube or inlet for igniter tube.	Find the igniter housing on the backside of the firewall. The air intake hole is a small hole located on the bottom side of the housing. Make sure it is clear. Also, look from the front of the stove to make sure there is not any debris around the igniter element inside of the igniter housing.
The burnpot is not pushed completely to the rear of the firebox.	Make sure that the air intake collar on the burnpot is touching the rear wall of the firebox.
Bad igniter element.	Put power directly to the igniter element. Watch the tip of the igniter from the front of the stove. After about 2 minutes, the tip should glow. If it does not, the element is bad.
The control board is not sending power to the igniter.	Check the voltage going to the igniter during startup. It should be a full current. If the voltage is lower than full current, check the wiring. If the wiring checks out good, the board is bad.

SMOKE SMELL COMING BACK INTO THE HOME	
Possible Causes:	Possible Remedies:
There is a leak in the vent pipe system.	Inspect all vent pipe connections. Make sure they are sealed with RTV silicone that has a temperature rating of 500°F or higher. Also, seal joints with UL-181-AP foil tape. Also, make sure the square to round adapter piece on the combustion blower has been properly sealed with the same RTV.
The gasket on the combustion blower has gone bad.	Inspect both gaskets on the combustion blower to make sure they are in good shape.

CONVECTION BLOWER SHUTS OFF AND COMES BACK ON	
Possible Causes:	Possible Remedies:
The convection blower is overheating and tripping the internal temperature shut-off.	Clean any dust off the windings and fan blades. If clearing the blower does not help, the blower may be bad.
Circuit board malfunction.	Test the current going to the convection blower. If there is power being sent to the blower when it is shut off, the control board is fine. If there is NOT power being sent to the blower when it shuts off during operation, then you have a bad control board.

TROUBLESHOOTING GUIDE



STOVE WILL NOT FEED PELLETS, BUT FUEL FEED LIGHT COMES ON AS DESIGNED	
Possible Causes:	Possible Remedies:
Fuse on control board blew.	Remove the control board. On the back, there is one fuse. If it appears to be bad, replace it with a 5 Amp 125 Volt fuse. Plug the stove back in and try to run the unit.
High limit switch has tripped or is defective.	Wait for the stove to cool for about 30-45 minutes. It should now function normally. If not, use the owner's manual to locate the high limit thermodisc. To test if the thermodisc is bad, you can bypass it as described previously for the POF thermodisc.
Bad auger motor.	Remove the auger motor from the auger shaft and try to run the unit. If the motor will turn, the shaft is jammed on something. If the motor will not turn, the motor is bad.
Auger jam	Start by emptying the hopper. Then remove the auger motor by removing the auger pin. Remove the auger shaft inspection plate in the hopper so that you see the auger shaft. Gently lift the auger shaft straight up so that the end of the auger shaft comes up out of the bottom auger bushing. Next, remove the two nuts that hold the top auger biscuit in. Then rotate the bottom end of the auger shaft up towards you until you can lift the shaft out of the stove. After you have removed the shaft, inspect it for bent flights, burrs, or broken welds. Remove any foreign material that might have caused the jam. Also, check the auger tube for signs of damage such as burrs, rough spots, or grooves cut into the metal that could have caused a jam.
Loose wire or connector	Check all wires and connectors that connect to the auger motor, high limit switch, and the Molex connector.
Bad control board	If the fuse is good, the wires and connectors check out good, and the high limit switch did not trip, test fir power going to the auger motor. If there is not a full current going to the auger motor when the fuel feed light is on, you have a bad control board.

<p>GLASS “SOOTS” UP AT A VERY FAST RATE FLAME IS LAZY, DARK AND HAS BLACK TIPS AFTER STOVE HAS BEEN ON FOR A WHILE, THE BURNPOT OVERFILLS</p>	
Possible Cause:	Possible Remedies:
Stove or vent pipe is dirty, which restricts airflow through the burnpot.	Follow all cleaning procedure in the maintenance section of the owner’s manual.
Vent pipe installed improperly.	Check to make sure the vent pipe has been installed according to the criteria in the owner’s manual.
Air damper is set too far in (closed) for a higher setting.	Put the damper knob farther out away from the side of the stove and try not to burn the unit again.
Burnpot holes are blocked.	Remove the burnpot and thoroughly clean it.
Air damper is broken.	Visually inspect the damper assembly. Make sure the damper plate is attached to the damper rod. When the damper rod is moved, the plate should move with it.
Blockage in air intake pipe.	Visually inspect the air intake pipe that leads into the burnpot for foreign material.
Circuit board malfunction.	Time the fuel feed light at each setting (after the stove has completed the startup cycle). Make sure the times match the auger timing chart. If the auger motor runs constantly, the board is bad.
Combustion blower is not spinning fast enough.	Test the RPM on the blower after the blades have been cleaned. The RPM should be approximately 3000RPM.
Bad Pellets (Applies to “GLASS ‘SOOTS’ UP AT A VERY FAST RATE” only.	The brand of pellets or the batch of pellets that are being used may be of poor quality. If possible, try a different brand of pellets. You might also want to try a brand that is made from a different type of wood (softwood vs. hardwood). Different woods have different characteristics when being burned.
The trim setting on the low feed rate is too low. (Applies to “GLASS ‘SOOTS’ UP AT A VERY FAST RATE” only.	Use the “Reset Trim” button to increase the low feed rate setting. If the “1” & “3” lights are on, the stove is currently on the lowest setting. If only the “1” light is on, the stove is in the default (medium) setting. If the “1” & “4” lights are on, the stove is in the high trim setting for the low feed rate. If the stove is being burned on one of the two lower settings, advance to the next trim setting and try burning the stove.

TROUBLESHOOTING GUIDE

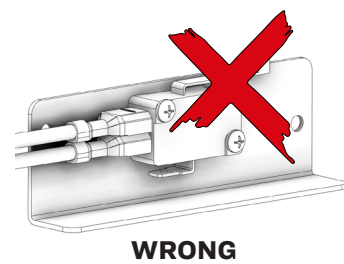
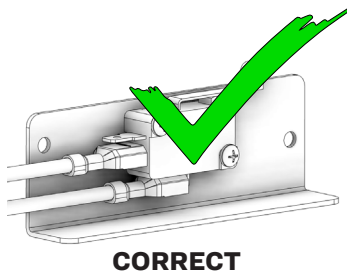
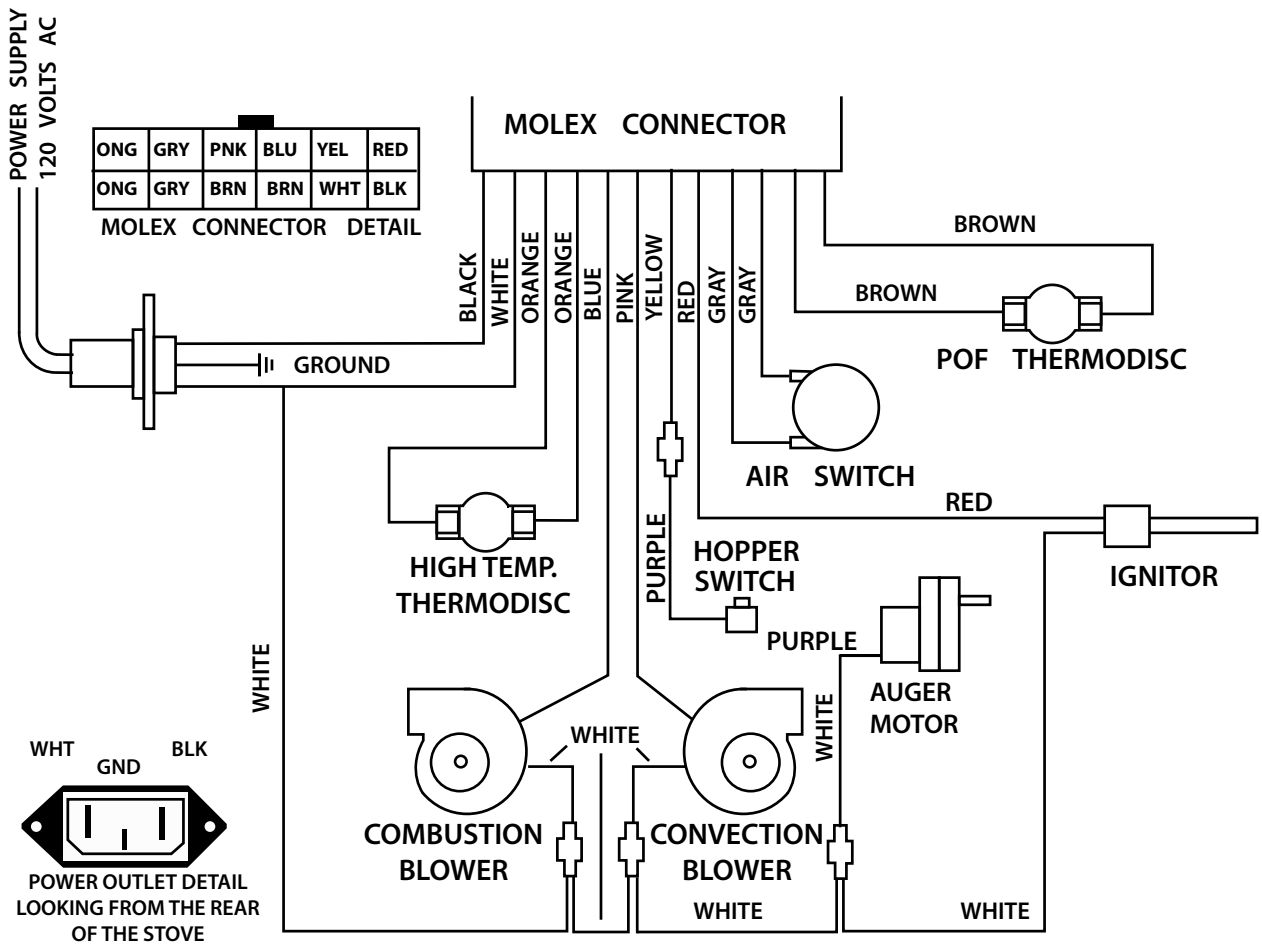


HIGH LIMIT SWITCH KEEPS TRIPPING	
Possible Causes:	Possible Remedies:
The convection blower is overheating and tripping the internal temperature shut-off.	Clean any dust off the windings and fan blades. If oiling the blower does not help, the blower may be bad
The stove is being left on the highest setting for extend periods of time.	The highest level setting is designated for use over short periods of time. Burning the stove on the highest setting for longer that 1-2 hours could lead to potential overheating situations.
Fuel other than wood pellets is being burned in the stove.	US Stove pellet stoves are designed and tested to use wood pellets. Check for signs of fuel other than wood pellets. No other type of fuel have been approved for US Stove pellet stoves. If there are signs of other types of fuel being used, stop using them immediately.
Power surge or brown out situation.	A power surge, spike, or voltage drop could cause the high limit switch to trip. Check to see if a surge protector is being used on the stove. If not, recommend one to the consumer.
High limit switch is malfunctioning.	If the other items checked out okay, replace the high limit switch.

DIGITAL CIRCUIT BOARD TIMING RATES	
Heat Level Setting	
1 & 3	1.4 seconds
1	2 seconds
1 & 4	2.5 seconds
2	4 seconds
3	7 seconds
4	9 seconds
5	12 seconds
Total Cycle Time	14.5 seconds

SMOKE SMELL OR SOOT BUILD-UP

Because it is a wood-burning device, this stove may emit a faint wood-burning odor. If this increases beyond normal or is you notice an unusual soot buildup on walls or furniture, check your exhaust system carefully for leaks. All joints should be properly sealed. Also, clean your stove following instructions in “MAINTENANCE.” If problem persists, contact your dealer.



Ensure the wires are connected to the bottom two prongs of the hopper switch as shown.

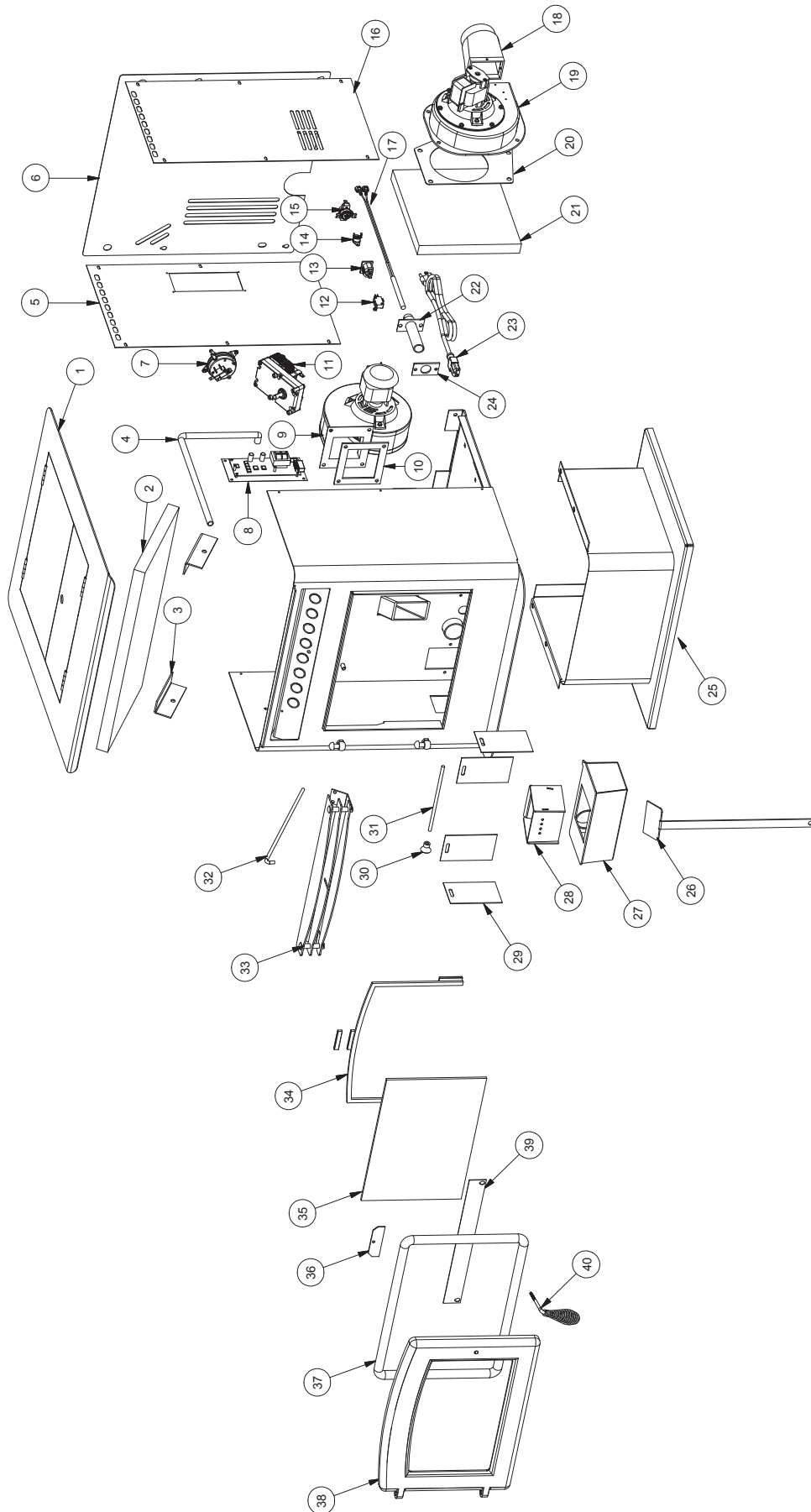
HOW TO ORDER REPAIR PARTS

For Parts Assistance Call: 800-750-2723 Ext 5051 or Email: parts@usstove.com

The information in this owner's manual is specific to your unit. When ordering replacement parts the information in this manual will help to ensure the correct items are ordered. Before contacting customer service write down the model number and the serial number of this unit. That information can be found on the certification label attached to the back of the unit. Other information that may be needed would be the part number and part description of the item(s) in question. Part numbers and descriptions can be found in the "Repair Parts" section of this manual. Once this information has been gathered you can contact customer service by phone 1-800-750-2723 Ext 5051 or Email parts@usstove.com.

Model Information	
Model Number	
Serial Number	

REPLACEMENT PARTS



Key	Part #	Description	Qty
1	610054	Top Plate Assembly	1
2	88217	Top Insulation	1
3	27777	Exhaust Diverter	2
4	891121	Pressure Switch Tubing	1
5	27033	PSS FS Side Sheet Left	1
6	27035	FS Rear Sheet	1
7	80549	Pressure Switch	1
8	80684	Circuit Board / Control Panel	1
9	80647	Blower, Distribution	1
10	88205	Gasket Convection Blower	1
11	80642	Auger Motor	1
12	80491	Microswitch	1
13	80462	Receptacle, 3 Prong	1
14	80610	Thermodisc, Surf Mt, Low Limit Pof	1
15	80683	Thermodisc, Surface Mount, 300°	1
16	27034	FS Side Sheet Right	1
17	80607	Ignitor Cartridge	1
18	40494	Transition, Blower	1
19	80641	Blower, Exhaust	1
20	88100	Gasket, Exhaust Blower	1
21	88208	Blower Blanket	1
22	69969	Igniter Housing Assembly	1

23	80461	Power Supply Cord	1
24	88202	Igniter Housing Gasket	1
25	610058	Pedestal Assembly	1
26	25589	Poker, Burnpot	1
27	69964	Weldment, Burnpot Housing	1
28	69965	Weldment, Burnpot	1
29	26799	Ash Door	4
30	891987	Plastic Knob	1
31	86848	Damper Rod	1
32	86758	Tube Cleaning Rod	1
33	610059	Louver Assembly	1
34	88174	Gasket - Flat, Glass (3/16T X 3/8W)	2.5ft
35	892365	Door Glass	1
36	26312	Glass Clamp, Side	1
37	88082	3/4 Rope Gasket	3.8ft
38	40625	Cast Door	1
39	26904	Door Air Wash	1
40	86755	Door Handle	1
41	892002	Spring Handle, Brass, (.375)	1

To order parts:

Call 1-800-750-2723 Ext 5051 or

Email to: parts@usstove.com

IN ORDER TO MAINTAIN WARRANTY, COMPONENTS MUST BE REPLACED USING ORIGINAL MANUFACTURERS PARTS PURCHASED THROUGH YOUR DEALER OR DIRECTLY FROM THE APPLIANCE MANUFACTURER. USE OF THIRD PARTY COMPONENTS WILL VOID THE WARRANTY.

SERVICE RECORD



It is recommended that your heating system is serviced regularly and that the appropriate Service Interval Record is completed.

SERVICE PROVIDER

Before completing the appropriate Service Record below, please ensure you have carried out the service as described in the manufacturer's instructions. Always use the manufacturer's specified spare part when replacement is necessary.

Service 01	Date: _____
Engineer Name: _____	
License No.: _____	
Company: _____	
Telephone No.: _____	
Stove Inspected: _____	Chimney Swept: _____
Items Replaced: _____	

Service 02	Date: _____
Engineer Name: _____	
License No.: _____	
Company: _____	
Telephone No.: _____	
Stove Inspected: _____	Chimney Swept: _____
Items Replaced: _____	

Service 03	Date: _____
Engineer Name: _____	
License No.: _____	
Company: _____	
Telephone No.: _____	
Stove Inspected: _____	Chimney Swept: _____
Items Replaced: _____	

Service 04	Date: _____
Engineer Name: _____	
License No.: _____	
Company: _____	
Telephone No.: _____	
Stove Inspected: _____	Chimney Swept: _____
Items Replaced: _____	

Service 05	Date: _____
Engineer Name: _____	
License No.: _____	
Company: _____	
Telephone No.: _____	
Stove Inspected: _____	Chimney Swept: _____
Items Replaced: _____	

Service 06	Date: _____
Engineer Name: _____	
License No.: _____	
Company: _____	
Telephone No.: _____	
Stove Inspected: _____	Chimney Swept: _____
Items Replaced: _____	

Service 07	Date: _____
Engineer Name: _____	
License No.: _____	
Company: _____	
Telephone No.: _____	
Stove Inspected: _____	Chimney Swept: _____
Items Replaced: _____	

Service 08	Date: _____
Engineer Name: _____	
License No.: _____	
Company: _____	
Telephone No.: _____	
Stove Inspected: _____	Chimney Swept: _____
Items Replaced: _____	

ENREGISTREMENT DE SERVICE



Il est recommandé que votre système de chauffage est desservi régulièrement et que le Service Interval enregistré approprié est terminée.

FOURNISSEUR DE SERVICES

Avant de terminer l'enregistrement de service approprié ci-dessous, s'il vous plaît vous assurer que vous avez effectué le service tel que décrit dans les instructions du fabricant. Toujours utiliser pièce de rechange indiquée par le fabricant lors de remplacement est nécessaire.

Service de 01	Date: _____
Nom de l'ingénieur: _____	
N° de licence: _____	
Compagnie: _____	
N° de téléphone: _____	
Poêle Inspecté: _____	Cheminée balayée: _____
Articles Remplacé: _____	

Service de 03	Date: _____
Nom de l'ingénieur: _____	
N° de licence: _____	
Compagnie: _____	
N° de téléphone: _____	
Poêle Inspecté: _____	Cheminée balayée: _____
Articles Remplacé: _____	

Service de 05	Date: _____
Nom de l'ingénieur: _____	
N° de licence: _____	
Compagnie: _____	
N° de téléphone: _____	
Poêle Inspecté: _____	Cheminée balayée: _____
Articles Remplacé: _____	

Service de 07	Date: _____
Nom de l'ingénieur: _____	
N° de licence: _____	
Compagnie: _____	
N° de téléphone: _____	
Poêle Inspecté: _____	Cheminée balayée: _____
Articles Remplacé: _____	

Service de 06	Date: _____
Nom de l'ingénieur: _____	
N° de licence: _____	
Compagnie: _____	
N° de téléphone: _____	
Poêle Inspecté: _____	Cheminée balayée: _____
Articles Remplacé: _____	

Service de 04	Date: _____
Nom de l'ingénieur: _____	
N° de licence: _____	
Compagnie: _____	
N° de téléphone: _____	
Poêle Inspecté: _____	Cheminée balayée: _____
Articles Remplacé: _____	

Service de 02	Date: _____
Nom de l'ingénieur: _____	
N° de licence: _____	
Compagnie: _____	
N° de téléphone: _____	
Poêle Inspecté: _____	Cheminée balayée: _____
Articles Remplacé: _____	

Service de 08	Date: _____
Nom de l'ingénieur: _____	
N° de licence: _____	
Compagnie: _____	
N° de téléphone: _____	
Poêle Inspecté: _____	Cheminée balayée: _____
Articles Remplacé: _____	

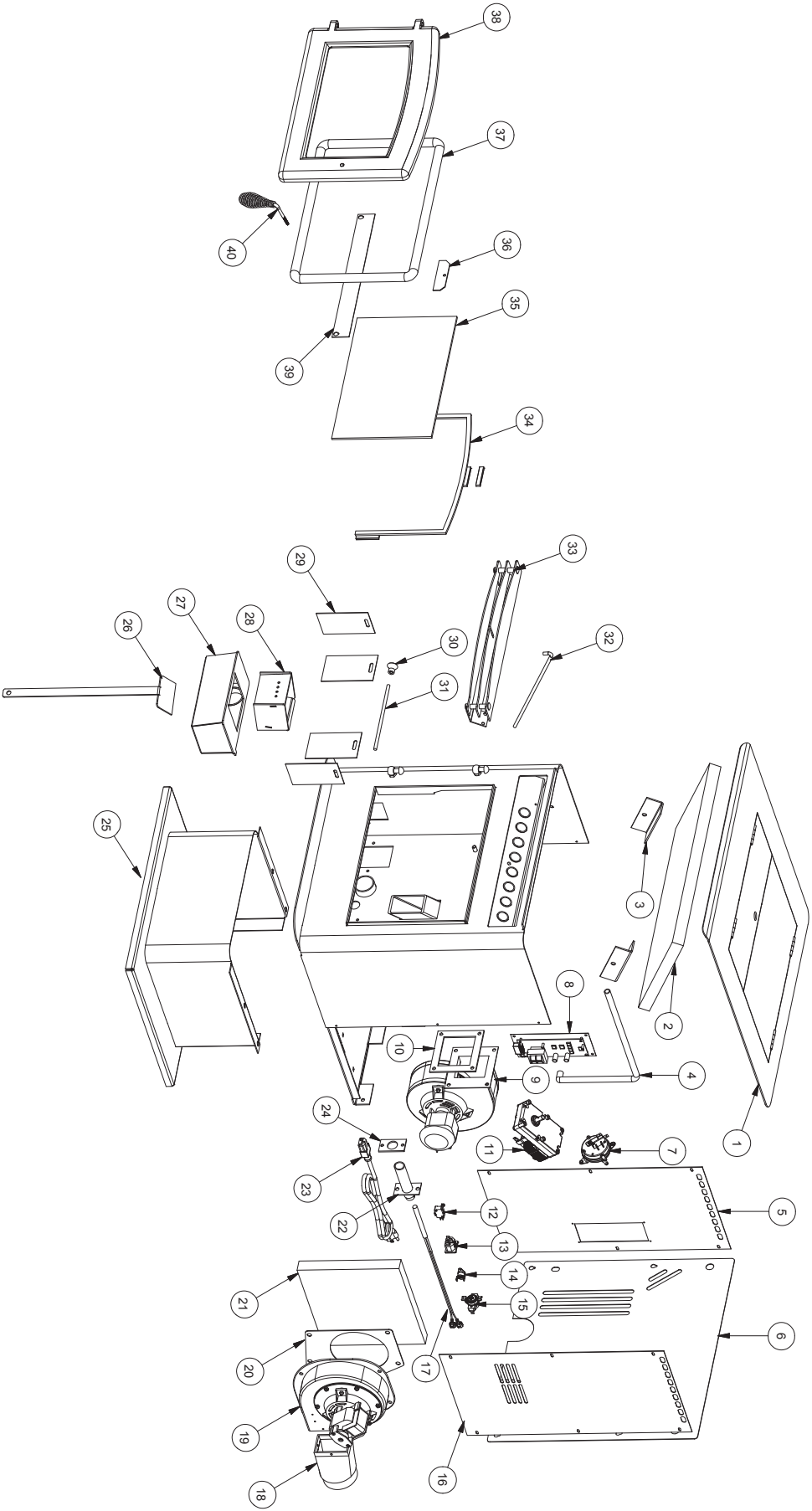
Qté	Pièce	La description
1	610054	Ensemble de plaque supérieure
1	88217	Isolation supérieure
2	27777	Déviateur d'échappement
1	891121	Tubes à interrupteur de pression
1	27033	PSS Fs Side Sheet Left
1	27035	Feuille arrière FS
1	80549	Pressostat
1	80684	Carte de circuit / Panneau de configuration
1	80647	Ventilateur, distribution
1	88205	Ventilateur à convection
1	80642	Moteur Auger
1	80491	Micro-interrupteur
1	80462	Prise, 3 Prong
1	80610	Thermomdisc, Surf Mt, Low Limit POF
1	80683	Thermomdisc, Surface Mount, 300 °
1	27034	FS Side Sheet Right
1	80607	Cartouche Ignitor
1	40494	Transition, souffleur
1	80641	Souffleur, échappement
1	88100	Joint d'étanchéité
1	88208	Couverture de souffleur

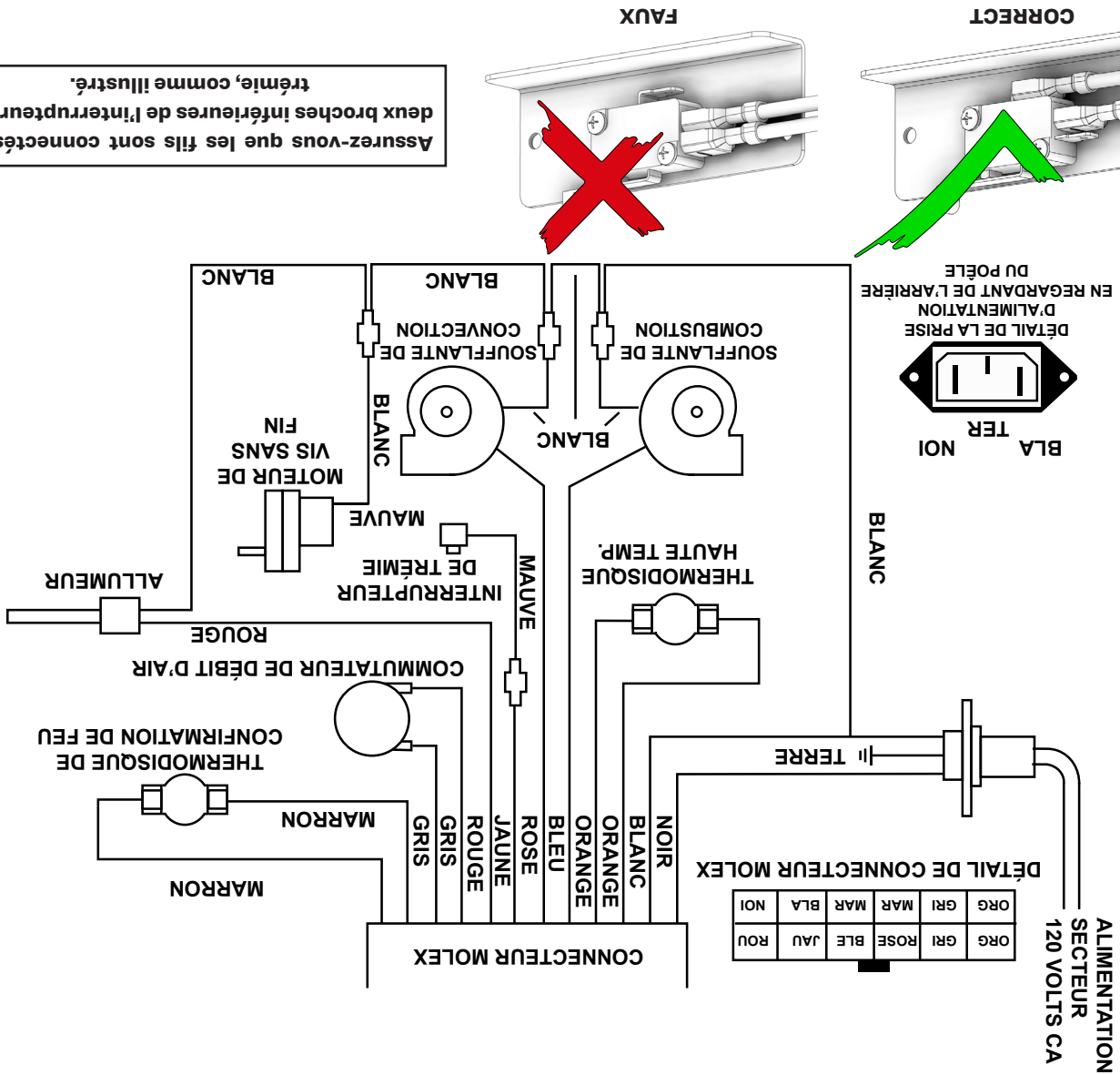
Pour commander des pièces:
 Appelez le 1-800-750-2723 Ext 5051 ou
 Envoyez un courriel à: parts@usstove.com

1	69969	Ensemble de boîtier d'allumeur
1	80461	Cordon d'alimentation
1	88202	Joint d'étanchéité
1	610058	Assemblage de piédestal
1	25589	Poker, Burnpot
1	69964	Weldment, Burnpot Housing
1	69965	Weldment, Burnpot
4	26799	Porte cendrée
1	891987	Bouton en plastique
1	86848	Barre d'amortisseur
1	86758	Tige de nettoyage de tube
1	610059	Ensemble de déflecteur
1	88174	Joint - plat, verre (3 / 16T X 3/8W)
1	892365	Verre de porte
1	26312	Collier en verre, côté
3,8 pi	88082	Joint de corde 3/4
1	40625	Porte en fonte
1	26904	Door Air Wash
1	86755	Poignée de porte
1	892002	Poignée de ressort, laiton, (.375)

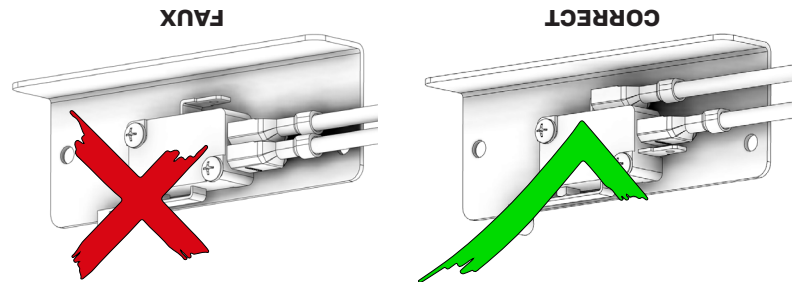
AFIN DE MAINTENIR LA GARANTIE, LES COMPOSANTS DOIVENT ÊTRE REMPLACÉS À L'AIDE DE PIÈCES ORIGINALES DU FABRICANT ACHETÉES CHEZ VOTRE CONCESSIONNAIRE OU DIRECTEMENT AU FABRICANT DE L'APPAREIL. L'UTILISATION DE COMPOSANTS TIERS ANNULERA LA GARANTIE.

SCHEMA DE REMPLACEMENT





Assurez-vous que les fils sont connectés aux deux broches inférieures de l'interrupteur de la trémie, comme illustré.



COMMANDE DE PIÈCES DE RECHANGE

POUR L'ASSISTANCE SUR LES PIÈCES, APPELEZ LE 800-750-2723, POSTE 5051 OU PAR COURRIEL: PARTS@USSTOVE.COM

Les informations contenues dans ce manuel du propriétaire sont spécifiques à votre appareil. Lors de la commande de pièces de rechange, les informations contenues dans ce manuel vous aideront à vous assurer que les bons articles sont commandés. Avant de contacter le service client, notez le numéro de modèle et le numéro de série de cet appareil. Cette information se trouve sur l'étiquette de certification apposée à l'arrière de l'appareil. D'autres informations qui pourraient être nécessaires sont le numéro de pièce et la description de l'article en question. Les références et les descriptions se trouvent dans la section «Pièces de réparation» de ce manuel. Une fois ces informations recueillies, vous pouvez contacter le service client par téléphone au 1-800-750-2723, poste 5051 ou par e-mail à parts@usstove.com.

Informations sur le modèle	
Numéro de modèle	
Numéro de série	

L'INTERRUPTEUR SUR DÉPASSEMENT DE LIMITE HAUTE DÉCLENCHE

Causes possibles :	Remèdes possibles :
La soufflante de convection est en surchauffe et fait déclencher la protection thermique interne.	Nettoyez toute la poussière des ailettes et pales de ventilateur. Si le nettoyage de la soufflante est inefficace, elle peut être défectueuse.
Le poêle a été laissé sur le réglage le plus fort pendant de longues périodes.	Le réglage au plus haut niveau de chauffe est conçu pour fonctionner pendant de courtes périodes. Faire chauffer le poêle sur ce réglage le plus haut pendant plus de 1-2 heures peut potentiellement causer une surchauffe.
Du combustible autre que des granulés est consommé dans le poêle.	Les poêles à granulés US Stove sont conçus et testés pour brûler avec des granulés de bois. Cherchez des indications d'autres types de combustible. Aucun autre type de combustible n'a été approuvé pour ce poêle US Stove à granulés. S'il y a des signes que d'autres carburants sont utilisés, arrêtez immédiatement le poêle.
Sur tension ou panne secteur localisée.	Une surtension, des pics ou des creux de secteur peuvent faire déclencher l'interrupteur sur limite haute. Vérifiez qu'un parasurtenseur protège bien le poêle. Si ce n'est pas le cas, recommandez-en un au consommateur.
L'interrupteur sur limite haute est défectueux.	Si tous les autres composants sont corrects au contrôle, remplacez cet interrupteur sur limite haute.

DURÉES DES SÉQUENCES DE CARTE DE CIRCUIT NUMÉRIQUE

Réglage de chauffe haut	1 et 3	1,4 secondes
	1	2 secondes
	1 et 4	2,5 secondes
	2	4 secondes
	3	7 secondes
	4	9 secondes
	5	12 secondes
Durée totale de cycle		14,5 secondes

ODEUR DE FUMÉE OU ACCUMULATION DE SUIE

Du fait que c'est un appareil brûlant au bois, votre poêle à granulés US Stove peut émettre une légère odeur de bois brûlé. Si l'odeur augmente au-delà de la normale, ou si vous remarquez un dépôt anormal de suie sur vos murs ou meubles, vérifiez attentivement votre système d'évacuation pour y chercher des fuites. Tous les joints doivent être correctement étanchéifiés. Nettoyez également votre poêle, en suivant les instructions de la section "ENTRETIEN". Si le problème persiste, contactez votre revendeur.

<p>LA VITRE S'ENCRAASSE TRÈS RAPIDEMENT LA FLAMME EST MOLLE, SOMBRE AVEC DES POINTES NOIRES UNE FOIS QUE LE POÊLE A FONCTIONNÉ UN PEU, LE POT DE COMBUSTION DÉBORDE</p>	<p>Causes possibles :</p>
<p>Remèdes possibles :</p>	<p>Le poêle ou son tuyau de ventilation est sale, ce qui restreint le flux d'air au travers du pot de combustion.</p>
<p>Appliquez toutes les procédures de nettoyage de la section d'entretien de ce manuel.</p>	<p>Le tuyau de ventilation est installé de façon incorrecte.</p>
<p>Tirez le bouton de registre un peu plus ouvert par rapport au côté du poêle, et essayez de nouveau de le faire fonctionner.</p>	<p>Le registre de tirage est trop repoussé (fermé) pour un réglage à forte puissance.</p>
<p>Sortez le pot de combustion et nettoyez-le bien.</p>	<p>Les trous du pot de combustion sont bouchés.</p>
<p>Inspectez visuellement l'ensemble de tirage. Assurez-vous que la plaque de registre est fixée à la tige de registre. Quand cette tige est tirée la plaque doit venir avec.</p>	<p>Le registre de tirage est cassé.</p>
<p>Inspectez visuellement le tuyau d'admission d'air qui mène au pot de combustion pour y chercher des matières étrangères.</p>	<p>Blocage dans le tuyau d'admission d'air.</p>
<p>Chronométrez la séquence de voyant d'alimentation en carburant pour chaque réglage (après que le poêle ait terminé sa séquence de démarrage). Assurez-vous que les durées correspondent au tableau de séquences de la vis sans fin. Si le moteur de vis tourne en permanence, la carte est défectueuse.</p>	<p>Dysfonctionnement de la carte de circuit imprimé.</p>
<p>Testez la vitesse en tours/minute de la soufflante après nettoyage de ses pales. Elle doit être d'environ 3 000 tours/minute;</p>	<p>La soufflante de combustion ne tourne pas assez vite.</p>
<p>La marque ou le lot de granulés utilisés peut être de qualité médiocre. Si possible utilisez-en d'autres. Vous pourriez aussi essayer une marque différente avec un autre type de bois (bois tendre au lieu de bois dur). Des bois différents ont des caractéristiques différentes quand ils brûlent.</p>	<p>Mauvais granulés (Ne s'applique qu'à "LA VITRE S'ENCRAASSE TRÈS RAPIDEMENT").</p>
<p>Utilisez la commande "Reset Trim" pour augmenter le réglage pour taux d'alimentation faible. Si les voyants 1 et 3 sont allumés, le poêle est actuellement sur le réglage le plus bas. Si seul le voyant 1 est allumé, le poêle est au réglage par défaut (moyen). Si les voyants 1 et 4 sont allumés, le poêle est au réglage le plus élevé d'adaptation pour le taux d'alimentation faible. Si le poêle fonctionne sur l'un des deux réglages les plus faibles, passez à l'adaptation supérieure et essayez de nouveau le poêle.</p>	<p>Le réglage d'adaptation pour le taux d'alimentation faible est trop bas (Ne s'applique qu'à "LA VITRE S'ENCRAASSE TRÈS RAPIDEMENT").</p>

LE POÊLE N'EST PAS ALIMENTÉ EN GRANULÉS, MAIS LE VOYANT CORRESPONDANT EST CÉPENDANT ALLUMÉ	
Causes possibles :	Remèdes possibles :
Fusible grillé sur la carte de contrôle.	Sortez la carte de contrôle. À l'arrière il y a un fusible. S'il semble défectueux, remplacez-le par un équivalent (5 A/125 V). Rebranchez le poêle et essayez de le faire fonctionner.
Le thermostatique pour limite haute a déclenché ou est défectueux.	Si ce n'est pas le cas utilisez le manuel d'utilisateur pour situer le thermostatique pour limite haute. Pour le tester, vous pouvez le contourner comme décrit plus haut pour le thermostatique POF.
Moteur de vis sans fin défectueux.	Dégagez le moteur de vis de l'axe de vis et essayez de démarrer l'appareil. Si le moteur tourne, c'est que l'axe est bloqué sur quelque chose. Mais si le moteur ne tourne pas c'est qu'il est défectueux.
Bourrage à la vis sans fin.	Commencez par vider la trémie. Puis ôtez le moteur de vis sans fin en enlevant la goupille de vis. Ôtez la plaque d'inspection d'axe de vis sans fin dans la trémie pour pouvoir la voir. Levez doucement tout droit l'axe de vis de façon à ce que son extrémité sorte de la douille du bas de trémie. Ensuite ôtez les deux écrous qui maintiennent le biscuit du haut de vis sans fin. Puis faites tourner l'extrémité du bas de l'axe de vis vers vous jusqu'à pouvoir lever la vis hors du poêle. Une fois l'axe sorti, inspectez-le pour chercher des filets déformés, des ébarbures ou des soudures cassées. Enlevez toute matière étrangère qui pourrait avoir causé le blocage. Vérifiez aussi le tube de vis sans fin pour d'éventuels dommages comme des ébarbures, points rugueux ou entailles dans le métal qui auraient pu causer un bourrage.
Desserrage de fil ou de connecteur.	Vérifiez tous les fils et connecteurs desserrant le moteur de vis sans fin, l'interrupteur sur limite haute et le connecteur Molex.
Carte de contrôle défectueuse.	Si son fusible est bon, et que le contrôle des connexions est correct, et que l'interrupteur sur limite haute n'a pas déclenché, testez si le moteur de la vis est alimenté. Si une alimentation intégrale est envoyée au moteur quand le voyant d'alimentation en carburant est allumé, c'est que la carte de contrôle est défectueuse.

LE POÊLE EST ALIMENTÉ EN GRANULÉS, MAIS ILS NE S'ALLUMENT PAS	
Causes possibles :	Remèdes possibles :
Registre de tirage ouvert trop loin pour permettre l'allumage.	Repoussez le registre plus près du côté du poêle au démarrage. Dans certains cas il peut être nécessaire de l'avoir complètement fermé pour rendre l'allumage possible. Une fois qu'il y a une flamme, le registre peut être ajusté pour le tirage voulu.
Blocage dans le tube d'allumage ou l'entrée pour le tube d'allumage.	Cherchez le logement d'allumage au dos de la cloison pare-feu. Le trou d'admission d'air est petit et situé en bas de ce logement. Assurez-vous qu'il est dégagé. Regardez aussi à l'avant du poêle pour vous assurer qu'il n'y a pas de débris autour de l'élément d'allumage à l'intérieur de son logement.
Le pot de combustion n'est pas poussé complètement à l'arrière de la chambre.	Assurez-vous que le collier d'admission d'air sur le pot de combustion touche la paroi arrière de la chambre.
Élément d'allumage défectueux.	Appliquez une alimentation directement sur l'élément d'allumage. Regardez le bout de l'allumage depuis l'avant du poêle. Après 2 minutes ce bout doit être rougeoyant. Sinon c'est que l'élément est défectueux.
La carte de contrôle n'envoie pas d'alimentation à l'allumeur.	Vérifiez la tension allant à l'allumeur au démarrage. Il doit y avoir l'intégralité du courant. Si la tension est inférieure à la valeur intégrale, vérifiez le câblage. Si le câblage est contrôlé bon, la carte est défectueuse.

UNE ODEUR DE FUMÉE PÉNÈTRE DANS LA MAISON	
Causes possibles :	Remèdes possibles :
Il y a une fuite dans le système de tuyaux de ventilation.	Inspectez tous les raccords de tuyaux de ventilation. Assurez-vous qu'ils sont étanchéifiés avec de l'enduit à la silicone pouvant résister à une température d'au moins 500°F (260 °C). Recouvrez également les joints avec de la bande métallique UL-181-AP. Assurez-vous aussi que la pièce d'adaptation carré/ronde sur la soufflante de combustion a été correctement étanchéifiée avec le même RTV.
Un joint de la soufflante de combustion s'est détérioré.	Inspectez les deux joints de la soufflante de combustion pour vérifier qu'ils sont en bon état.

LA SOUFFLANTE DE CONVECTION S'ARRÊTE ET REPART	
Causes possibles :	Remèdes possibles :
La soufflante de convection est en surchauffe et fait déclencher la protection thermique interne.	Nettoyez toute la poussière des ailettes et pales de ventilateur. Si le nettoyage de la soufflante est inefficace, elle peut être défectueuse.
Dysfonctionnement de la carte de circuit imprimé.	Testez l'alimentation allant à la soufflante de convection. Si elle est envoyée durant la coupure, la carte de contrôle est correcte. S'il n'y a PAS d'alimentation durant la coupure en fonctionnement, c'est la carte qui est défectueuse.

LE POÊLE S'ÉTEINT ET LE VOYANT N° 3 CLIGNOTE

Causes possibles :	Remèdes possibles : (Si possible débranchez d'abord le poêle)
La trémie n'a plus de granulés.	Regarnissez la trémie.
Le registre de tirage est trop ouvert pour un réglage à faible alimentation.	Si vous carburez à réglage faible, vous pouvez avoir à fermer complètement le registre (poussez le bouton pour qu'il touche le côté du poêle).
Le pot de combustion n'est pas poussé complètement à l'arrière de la chambre.	Assurez-vous que le collier d'admission d'air sur le pot de combustion touche la paroi arrière de la chambre.
Les trous du pot de combustion sont bouchés.	Sortez le pot de combustion et nettoyez-le bien.
L'admission d'air, les chambres intérieures ou le système d'évacuation ont un blocage partiel.	Appliquez toutes les procédures de nettoyage de la section d'entretien de ce manuel.
L'interrupteur de sécurité de la trémie est en panne ou la trémie est ouverte.	Quand vous faites fonctionner le poêle, assurez-vous que l'interrupteur de sécurité de la trémie au panneau de commande et au moteur de l'interrupteur de sécurité de la trémie s'active. Contrôlez les bonnes connexions des fils allant à l'interrupteur de sécurité de la trémie pour tester l'interrupteur de sécurité, vis sans fin. Utilisez un testeur de continuité pour tester l'interrupteur de sécurité, remplacez-le si nécessaire.
L'arbre de la vis sans fin est bloqué.	Commencez par vider la trémie. Puis ôtez le moteur de vis sans fin en enlevant la goupille de vis. Ôtez la plaque d'inspection d'axe de vis sans fin dans la trémie pour pouvoir la voir. Levez doucement tout droit l'axe de vis de façon à ce que son extrémité sorte de la douille du bas de trémie. Ensuite ôtez les deux écrous qui maintiennent le biscuit du haut de vis sans fin. Puis faites tourner l'extrémité du bas de l'axe de vis vers vous jusqu'à pouvoir le lever hors du poêle. Une fois l'axe sorti, inspectez-le pour chercher des filets déformés, des ébarbures ou des soudures cassées. Enlevez toute matière étrangère qui pourrait avoir causé le blocage. Vérifiez aussi le tube de vis sans fin pour d'éventuels dommages comme des ébarbures, points rugueux ou entailles dans le métal qui auraient pu causer un bourrage.
Le moteur de vis sans fin est tombé en panne.	Dégagez le moteur de vis de l'axe de vis et essayez de démarrer l'appareil. Si le moteur tourne, c'est que l'axe est bloqué sur quelque chose. Mais si le moteur ne tourne pas c'est qu'il est défectueux.
Le thermostatique témoin de la présence de feu (POF) n'a pas fonctionné.	Contournez temporairement le thermostatique POF en débranchant les deux fils marron et en les réunissant avec un petit morceau de fil conducteur. Puis remettez le poêle en marche. S'il redémarré et fonctionne, vous devrez remplacer le thermostatique. Ceci n'était que pour le test. NE LAISSEZ PAS LE THERMODYNAMIQUE CONTOURNER. Sinon vos soufflantes ne s'arrêteront jamais et si le feu s'éteignait la vis continuerait d'alimenter en granulés jusqu'à ce que la trémie soit vide.
Le thermostatique pour limite haute a déclenché ou est défectueux.	Laissez refroidir le poêle 30-45 minutes. Il devrait alors fonctionner normalement. Si ce n'est pas le cas utilisez le manuel d'utilisateur pour situer le thermostatique pour limite haute. Pour le tester, vous pouvez le contourner comme décrit plus haut pour le thermostatique POF.
Le fusible du panneau de commande est grillé.	Sortez la carte de contrôle. À l'arrière il y a un fusible. S'il semble défectueux, remplacez-le par un équivalent (5 A/125 V). Rebranchez le poêle et essayez de le faire fonctionner.
La carte de contrôle n'envoie pas d'alimentation au thermostatique POF ou aux autres composants du système de vis sans fin.	Il doit y avoir 5 V environ allant au commutateur d'air une fois que le poêle a été activé pendant 10 secondes.

Quand votre poêle se comporte anormalement, la première réaction est d'appeler pour de l'aide. Ce guide peut faire économiser du temps et de l'argent en vous permettant de solutionner par vous-même des problèmes simples. Les problèmes rencontrés sont souvent le résultat de seulement 5 facteurs : 1) carburant médiocre ; 2) utilisation ou entretien inadéquats ; 3) mauvaises installations ; 4) panne de composant ; 5) défaut d'origine. Vous pouvez généralement résoudre les problèmes venant des causes 1 et 2. Votre revendeur peut solutionner ceux des causes 3 à 5. Référez-vous au schéma de la page 20 pour vous aider à localiser les pièces indiquées. Dans le but de dépanner en utilisant ce guide pour vous aider, vous devez regarder quel est votre niveau de réglage de chauffe pour voir quel voyant clignote.

** ATTENTION - DÉBRANCHEZ L'ALIMENTATION ÉLECTRIQUE AVANT TOUTE INTERVENTION SUR LE POÊLE! **

LE POÊLE S'ÉTEINT ET LE VOYANT N° 2 CLIGNOTE	
Causes possibles :	Remèdes possibles : (Si possible débranchez d'abord le poêle)
Le tuyau de commutateur d'air ou les tuyaux de fixation au poêle sont obstrués.	Otez le tuyau d'air du commutateur d'air et soufflez dedans. Si l'air passe librement, le tuyau et le tube sont corrects. Sinon, utilisez le fil de fer d'un cintre pour dégager le blocage.
L'admission d'air, le pot de combustion, l'intérieur des chambres de combustion, la soufflante de combustion ou le tuyau d'évacuation sont obstrués ar de la cendre ou des matières étrangères.	Appliquez toutes les procédures de nettoyage de la section d'entretien de ce manuel.
La chambre de combustion n'est pas bien étanche.	Assurez-vous que la porte est fermée et le joint est en bon état. Si la porte des cendres a un loquet, vérifiez qu'elle est bien fermée et que le joint est bien étanche. Si le poêle a juste un petit trou pour que les cendres tombent en travers sous le pot de combustion, vérifiez que la plaque coulissante est en pace pour fermer le plancher de la chambre.
Le tuyau de ventilation est mal installé.	Vérifiez que l'installation du tuyau répond aux critères du manuel d'utilisation.
Les connexions de fils du commutateur d'air sont mauvaises.	Contrôlez les connecteurs qui tiennent les fils gris sur le commutateur d'air.
Les fils gris sont désengagés du connecteur X sur le harnais de câblage.	Contrôlez si les fils gris sont désengagés au connecteur Molex.
Panne de soufflante de combustion.	Le poêle étant allumé, vérifiez si la soufflante de combustion tourne. Si ce n'est pas le cas, vous devez vérifier qu'elle est bien alimentée. Il doit y avoir l'intégralité du courant. Si elle est alimentée, c'est que la soufflante est défectueuse. Sinon, allez au point suivant 8.
La carte de contrôle n'envoie pas d'alimentation à la soufflante de combustion.	Si l'y a pas de courant allant à la soufflante de combustion, vérifiez toutes les connexions de câblage. Si tous les fils sont bien branchés, votre carte de contrôle est défectueuse.
La carte de contrôle n'envoie pas d'alimentation au commutateur de débit d'air de combustion.	Il doit y avoir 5 V environ allant au commutateur d'air une fois que le poêle a été activé pendant 30 secondes.
Panne du commutateur de débit d'air (très rare).	Pour tester le commutateur de débit d'air, vous devez débrancher le tuyau d'air du corps du poêle. Avec l'autre bout restant fixé au commutateur d'air, aspirez doucement le bout libre du tuyau (vous pouvez vouloir ôter le tuyau complètement du poêle et du commutateur d'air, pour vous assurer qu'il n'est pas bouché). Si vous entendez un dé clic, le commutateur fonctionne. FAITES ATTENTION, TROP DE DÉPRESSION PEUT ENDOMMAGER LE COMMUTATEUR D'AIR.

DÉMONTAGE ET REMPLACEMENT D'UNE VITRE DE PORTE CASSEE

Lorsque vous portez des gants en cuir (ou tout autre gant adapté à la manipulation de verre brisé), retirez soigneusement tout morceau de verre en vrac du cadre de la porte. Jetez tout le verre brisé correctement. Retournez la porte endommagée à votre revendeur pour réparation ou remplacement. Ni le propriétaire de l'appareil ni aucune autre personne non autorisée ne doivent remplacer la vitre de la porte. Un revendeur agréé doit effectuer toutes les réparations concernant la vitre de porte.

DÉMARRAGE D'AUTOMNE

Avant de commencer le premier feu de la saison de chauffage, vérifiez la zone extérieure autour des systèmes d'échappement et d'admission d'air pour déceler toute obstruction. Nettoyez et enlevez toutes les cendres volantes du système d'évacuation des gaz d'échappement. Nettoyez les grilles du système d'échappement et du tuyau d'admission d'air extérieur. Activez toutes les commandes et assurez-vous qu'elles fonctionnent correctement. C'est également le bon moment pour nettoyer l'ensemble du poêle.

ARRÊT DE PRINTEMPS

Après la dernière brûlure au printemps, retirez tous les granulés restants de la trémie et du système d'alimentation à vis sans fin. Retirez les granulés, puis faites fonctionner la vis sans fin jusqu'à ce que la trémie soit vide et que les granulés cessent de couler (cela peut être fait en appuyant sur le bouton «ON» avec la porte de visualisation ouverte). Passez l'aspirateur dans la trémie. Nettoyez soigneusement le pot de combustion et la chambre de combustion. Il peut être souhaitable de vaporiser l'intérieur de la trémie nettoyée avec un spray silicone aérosol si votre poêle se trouve dans une zone très humide. Le système d'échappement doit être soigneusement nettoyé.

CALENDRIER D'ENTRETIEN RECOMMANDÉ

Etablissez une routine pour la gestion du combustible, de l'insert et de la technique d'allumage. Inspectez tout d'abord quotidiennement l'accumulation de créosote afin de déterminer précisément les fréquences de nettoyage pour assurer un fonctionnement sûr. Soyez conscient que la quantité de dépôt de créosote est inversement proportionnelle à la température du feu. Ainsi, des nettoyages hebdomadaires seront peut-être nécessaires en période de temps doux alors que des nettoyages mensuels seront suffisants durant les mois plus froids. Utilisez le guide qui suit, fait pour des conditions d'utilisation moyennes. Les joints autour de la porte et de la vitre de porte sont à inspecter, et à réparer ou remplacer si nécessaire. Voyez à "Pièces De Rechange". La porte ce cette unité utilise un joint de corde de 3/4 po (20 mm) de diamètre.

MISE EN GARDE:		
CE CHAUFFE-BOIS A BESOIN D'INSPECTIONS ET DE RÉPARATIONS PÉRIODIQUES POUR UN FONCTIONNEMENT APPROPRIÉ. IL EST CONTRE LES RÉGLEMENTS FÉDÉRAUX DE FAIRE FONCTIONNER CE CHAUFFE À BOIS D'UNE MANIÈRE NON CONSTANTE AUX INSTRUCTIONS D'UTILISATION DE CE MANUEL.		

Tous les semaines	Toutes les semaines	Annuel ou
Tous les jours	Agité	Pot de combustion
Essuyée	Nettoyée	Vitre
	Brossée	Chambre de combustion
	Vidées	Cendres
	Aspirées	Chambres intérieures
	Deux passages	Tubes d'échangeur thermique
	Aspirées/Brossées	Pales de soufflante de combustion
	Aspirée/Brossée	Turbine de soufflante de convection
	Nettoyé	Système de ventilation
	Inspectés	Joints
	Vidée et aspirée	Trémie (fin de saison)

MISE EN GARDE:

LAISSEZ LE POËLE REFROIDIR AVANT D'EFFECTUER TOUT ENTRETIEN OU NETTOYAGE. LES CENDRES DOIVENT ÊTRE JETÉES DANS UN RÉCIPENT MÉTALLIQUE AVEC UN COUVERCLE FERMÉ. LE CONTENEUR DE CENDRES FERMÉ DOIT ÊTRE PLACÉ SUR UNE SURFACE NON COMBUSTIBLE OU AU SOL, BIEN À L'ÉCART DE TOUT MATÉRIEL COMBUSTIBLE, EN ATTENTE DE L'ÉLIMINATION FINALE.

DÉTECTEURS DE FUMÉE ET DE CO

Le brûlage du bois produit naturellement des émissions de fumée et du monoxyde de carbone (CO). Le CO est un gaz poison lorsque l'exposition se fait à des concentrations élevées pour une période de temps prolongée. Bien que les systèmes de combustion modernes des chauffages réduisent de façon importante la quantité de CO émis par la cheminée, l'exposition aux gaz dans des endroits fermés ou clos peut être dangereuse. Assurez-vous que les joints d'étanchéité de votre poêle et les joints de la cheminée soient en bon état et qu'ils scellent correctement, évitant les expositions indésirables. Il est recommandé que vous utilisiez des détecteurs de fumée et de CO dans les zones où se trouve un potentiel de génération de CO.

VÉRIFIER ET NETTOYER LA TRÉMIE

Vérifiez périodiquement la trémie pour déterminer s'il y a de la sciure (fines) qui s'accumule dans le système d'alimentation ou des granulés qui collent à la surface de la trémie. Nettoyez au besoin.

JOINTS DE PORTE ET DE VERRRE

Inspectez périodiquement les joints de la porte principale et de la fenêtre en verre. Il se peut que la porte principale doive être retirée pour que les joints effilochés, cassés ou compactés soient remplacés par votre revendeur agréé. La porte de cet appareil utilise un joint de corde de 3/4 po de diamètre.

SOUFFLANTES

DANGER:

RISQUE DE COMOTION ÉLECTRIQUE. DÉBRANCHEZ L'ALIMENTATION ÉLECTRIQUE AVANT D'INTERVENIR SUR LE POËLE.

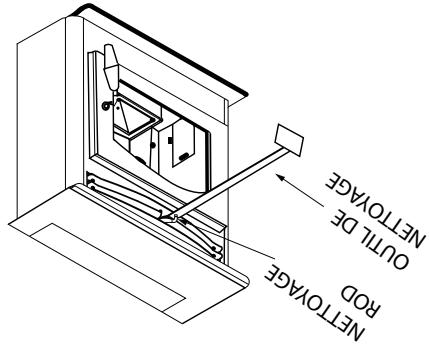
Nettoyez annuellement les trous d'air sur les moteurs des ventilateurs d'extraction et de distribution. Retirez le ventilateur d'évacuation du conduit d'évacuation et nettoyez les pales du ventilateur interne dans le cadre de votre démarrage d'automne. Si vous avez des animaux domestiques à l'intérieur, vos moteurs électriques doivent être inspectés tous les mois pour vous assurer qu'ils ne présentent pas d'accumulation de poils d'animaux. L'accumulation de poils d'animaux dans les souffleurs peut entraîner des performances médiocres ou des risques de sécurité imprévus.

1. Assurez-vous que le feu est éteint et que la chambre de combustion est froide.

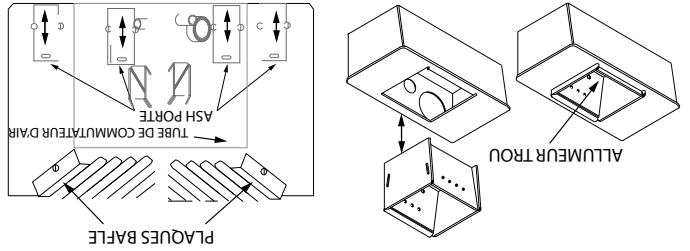
2. Nettoyez les tubes d'échangeur thermique.

est la suivante:

et les braises peuvent s'enflammer. L'élimination des cendres sont combinés avec des substances combustibles, les cendres utilisés pour d'autres déchets ou l'élimination des déchets. S'ils ont été complètement refroidis. Le conteneur ne doit pas être dans le récipient fermé jusqu'à ce que toutes les braises aient



3. Enlevez la section intérieure du pot de combustion en le prenant et en le levant tout droit.



4. Videz les cendres de la section intérieure et grattez-la avec l'outil de nettoyage, en vous assurant que les trous ne sont pas bouchés.

5. Aspirez pour éliminer les cendres de l'intérieur de la chambre de combustion et de l'enveloppe du pot de combustion.

6. Mettez les cendres au rebut correctement. Voyez "Évacuation Des Cendres" plus haut.

7. Remplacez la section intérieure dans le pot de combustion, assurez-vous qu'il est de niveau et poussé à fond, et que le trou d'allumage est vers l'arrière au remontage.

8. Assurez-vous que le pot de combustion est d'aplomb et repoussez-le complètement en le réinstallant. Si le collier sur le pot de combustion fixé au tube d'air frais n'est pas repoussé pour toucher la paroi du pot de combustion, le système d'allumage à tige chaude ne fonctionnera pas convenablement.

MISE EN GARDE:

- NE FAITES PAS FONCTIONNER VOTRE POÊLE SI VOUS SENTEZ UNE ODEUR DE FUMÉE EN PROVENANCE. ÉTEIGNEZ-LE, SURVEILLEZ-LE ET APPELÉZ VOTRE CONCESSIONNAIRE.
- NE PAS FAIRE FONCTIONNER LE POÊLE SI LA FLAMME DEVIENT SOMBRE ET SUBLIMÉE OU SI LE BRÛLEUR TROP-REMPLI DE GRANULES. ÉTEIGNEZ LE POÊLE, INSPECTEZ-LE PÉRIODIQUEMENT ET APPELÉZ VOTRE CONCESSIONNAIRE.

N'UTILISEZ JAMAIS CE PRODUIT SANS SURVEILLANCE

ENTRETIEN

MISE EN GARDE:

- NE PAS NETTOYER ET ENTREtenir CET APPAREIL COMME INDiqué PEUT ENTRAÎNER DES PERFORMANCES, DES RISQUES DE SÉCURITÉ, UN INCENDIE ET MÊME LA MORT.
- NE JAMAIS EFFECTUER D'INSPECTION, DE NETTOYAGE OU D'ENTRETIEN SUR UN POÊLE CHAUD.
- DÉBRANCHEZ LE GORDON D'ALIMENTATION AVANT D'EFFECTUER TOUT ENTRETIEN! REMARQUE: METTRE L'INTERRUPTEUR MARCHÉ / ARRÊT SUR «OFF» NE DÉBRANCHE PAS TOUTE L'ALIMENTATION DES COMPOSANTS ÉLECTRIQUES DU POÊLE.
- NE PAS FAIRE FONCTIONNER LE POÊLE AVEC DE LA VITRE CASSÉE, UNE FUIITE DE GAZ DE FUMÉE PEUT EN RÉSULTER.
- NE PAS ABUSER LA VITRE DE LA PORTE EN FRAPPE, EN CLAQUANT OU EN TRAUMATISME SIMILAIRE. NE PAS FAIRE FONCTIONNER LE POÊLE AVEC LA VITRE RETIRÉE, FISSURÉE OU CASSÉE.

MISE EN GARDE:

LE SYSTÈME D'ÉCHAPPEMENT DOIT ÊTRE VÉRIFIÉ MENSUEL PENDANT LA SAISON DE BRÛLURE POUR TOUT ACCUMULATION DE SUIE OU DE CRÉOSOTE.

Lorsque le bois brûle lentement, il produit du goudron et d'autres vapeurs organiques qui se combinent avec l'humidité rejetée pour former la créosote. Les vapeurs de créosote se condensent dans un conduit de cheminée relativement froid

MISE EN GARDE:

SI LE POÊLE EST INSTALLÉ DANS UNE PIÈCE SANS CLIMATISATION OU DANS UNE ZONE O WH LA LUMIÈRE DIRECTE DU SOLEIL PEUT BRILLER SUR L'APPAREIL, IL EST POSSIBLE QUE CELA PEUT PROVOQUER LA TEMPÉRATURE DU POÊLE AU NIVEAU DE FONCTIONNEMENT; UN DES CAPTEURS POURRAIT PUIS FAIRE DÉMARRER LE POÊLE DE SON PROPRE. IL EST RECOMMANDÉ QUE LE POÊLE SOIT DÉBRANCHÉ LORSQU'IL N'EST PAS UTILISÉ POUR UNE DURÉE DE TEMPS PROLONGÉE (3-à-4 JOURS PENDANT LES MOIS D'ÉTÉ).

ou si le feu vient de démarrer ou brûle lentement. Ainsi, les résidus de créosote s'accumulent sur le boisseau. Si elle prend feu, cette créosote produit un feu extrêmement chaud qui peut endommager la cheminée, voire détruire la maison. En dépit de leur grande efficacité, les poêles à granules peuvent accumuler de la créosote dans certaines conditions. Le raccord et le conduit de cheminée doivent être inspectés par une personne qualifiée une fois par an ou par tonne de granules pour déterminer si une accumulation de créosote ou de cendres volantes s'est produite. Si la créosote s'est accumulée, elle doit être enlevée pour réduire le risque de feu de cheminée. Inspectez le système au niveau du raccord avec le poêle et en haut de la cheminée. Les surfaces plus froides ont tendance à accumuler les dépôts de créosote plus rapidement; il est donc important de vérifier la cheminée par le haut ainsi que par le bas. La créosote doit être éliminée avec une brosse spécialement conçue pour le type de cheminée utilisée. Un ramoneur qualifié peut fournir ce service. Il est également conseillé d'inspecter, de nettoyer et si nécessaire de réparer la totalité du système avant chaque saison de chauffage. Pour nettoyer la cheminée, déconnecter l'évacuation du poêle.

CENDRES VOLANTES

Elles s'accumulent dans la portion horizontale du conduit d'évacuation. Bien qu'elles ne soient pas combustibles, elles peuvent gêner le flux normal d'évacuation. Elles doivent donc être périodiquement éliminées.

MISE AU REBUT DES CENDRES

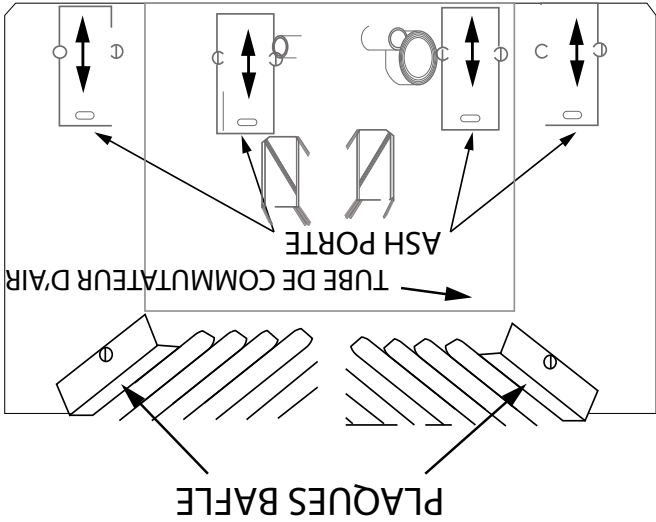
Retirez les cendres périodiquement pour éviter l'accumulation inutile de cendres. Retirez les cendres lorsque l'unité a refroidi. Les cendres doivent être placées dans un récipient en métal avec un couvercle hermétique. Le contenant fermé de cendres doit être placé sur un sol incombustible ou sur le sol, bien à l'écart de toutes matières combustibles, en attendant l'élimination finale. Si les cendres sont éliminées par enfouissement dans le sol ou autrement dispersées localement, elles doivent être conservées

15

NETTOYAGE

Tubes d'échangeur thermique – Votre poêle est conçu avec un nettoyeur intégré de tubes d'échangeur. Il doit être utilisé tous les deux ou trois jours afin d'éliminer la cendre accumulée sur les tubes, qui réduit le transfert thermique de votre poêle. Insérez l'extrémité de poignée (avec trou) de l'outil de nettoyage sur la tige de nettoyage. Cette tige de nettoyage est située dans la grille au-dessus de la porte du poêle. Déplacez la tige de nettoyage d'avant en arrière plusieurs fois afin de nettoyer les tubes d'échangeur thermique. Quand c'est terminé assurez-vous de laisser le nettoyeur de tubes à l'arrière du poêle.

Chambres intérieures – Trois portes pour cendres et un déflecteur supérieur sur la chambre de combustion peuvent se démonter pour un nettoyage périodique. Ces portes donnent accès à la chambre entourant la chambre de combustion.



REMARQUE: quand vous enlevez les déflecteurs supérieurs, n'ôtez pas les vis, desserrez-la juste assez pour le démontage. Périodiquement vous devez aspirer les cendres hors de ces chambres. Dans certains cas vous aurez à enlever de la créosote, qui peut s'accumuler rapidement dans certaines conditions. Une brosse métallique fine peut être utilisée. Il est important d'éliminer la créosote car elle est très combustible. Inspectez derrière ces plaques de nettoyage au moins une fois par tonne de granulés brûlés, jusqu'à ce que vous soyez familiarisé avec la façon dont cendres et créosote s'accumulent en fonction de vos pratiques d'utilisation. Utilisez la petite brosse métallique pour nettoyer aussi l'intérieur des parois de chambres, au-dessus des portes d'accès.

- a. «s'accrocher sur les côtés de la trémie. Parfois, «remuer» la trémie peut aider. **REMARQUE:** pour éviter le pontage des granulés, du papier ciré ordinaire peut être frotté sur les parois latérales et le fond de la trémie.
- b. Nettoyage des tubes de l'échangeur de chaleur (voir la section «Nettoyage» de ce manuel).
- c. Grattez les cendres du pot de combustion.

PROCÉDURE D'ARRÊT

ATTENTION:
NE JAMAIS ARRÊTER CET APPAREIL EN LE DÉBRANCHANT DE LA SOURCE D'ALIMENTATION.

Pour arrêter votre poêle il suffit d'appuyer sur "ON/OFF" au panneau de commandes. Le voyant rouge s'éteint. Les soufflantes vont continuer de fonctionner jusqu'à ce que la température dans la chambre de combustion soit redescendue à un niveau prédéterminé.

AVERTISSEMENT DE FALSIFICATION

Ce chauffage au bois a un taux de combustion minimum réglé à la fabrication, et qui ne peut être modifié. La modification de ce réglage ou une utilisation autre de ce chauffage au bois qui ne respecterait pas les directives du présent manuel contrevient aux réglementations fédérales.

DISPOSITIFS DE SÉCURITÉ

Votre poêle est équipé d'un thermostatique pour température élevée. Ce dispositif de coupure de sécurité a deux fonctions.

1. Il reconnaît une situation de surchauffe dans le poêle et coupe l'alimentation en carburant du système à vis sans fin.
2. En cas de dysfonctionnement de soufflante de convection, le dispositif arrête automatiquement la vis sans fin, pour empêcher une surchauffe du poêle.

REMARQUE: Sur certains appareils, comme avec un disjoncteur, il faut actionner le bouton de restauration avant de redémarrer votre poêle. Sur d'autres le thermostatique n'a pas de bouton et la restauration se fait d'elle-même une fois que le poêle a refroidi. Le constructeur recommande d'appeler votre revendeur s'il y a un déclenchement qui peut indiquer un problème plus grave. Une demande d'intervention peut être nécessaire.

3. En cas de panne de la soufflante de combustion, un manostat va automatiquement couper la vis sans fin.
- REMARQUE:** L'ouverture de la porte de poêle pour plus de 30 secondes pendant le fonctionnement va provoquer assez de changement de pression pour activer ce manostat, d'où un arrêt de l'alimentation. Dans ce cas refermez la porte et actionnez "ON/OFF" pour relancer le fonctionnement de votre poêle.

3. Le registre doit être complètement fermé ou n'être ouvert qu'à moins de 1/4 po (7 mm) durant le démarrage. Cela va dépendre de votre installation et de l'altitude. Une fois le feu allumé, réglez pour la flamme voulue en augmentant de degré d'ouverture du registre quand le réglage de puissance de chauffe est augmenté (voyez à "Commande De Registre").

4. Ajustez le taux d'alimentation au niveau désiré en actionnant la commande "Feed Rate Advance".

COMMANDE DE REGISTRE

La tige de commande de l'amortisseur est nécessaire en raison des caractéristiques de combustion variées des installations individuelles, des différences marquées de granulés et des taux d'alimentation des granulés. Il vous permet d'améliorer l'efficacité de votre poêle. Fournir un air de combustion correct réduira la fréquence de nettoyage de votre porte vitrée et empêchera l'accumulation rapide de créosote à l'intérieur de votre poêle et de votre cheminée. Vous devez régler l'amortisseur en fonction de l'apparence du feu. Un feu bas, rougeâtre et sale peut être amélioré en tirant légèrement l'amortisseur. Un feu «chaleur» peut être amélioré en poussant légèrement l'amortisseur. En règle générale, sur des réglages de vitesse d'avance plus faibles, l'amortisseur doit être plus éloigné. Sur des vitesses d'avance plus élevées, l'amortisseur doit être plus ouvert. Par essais et erreurs, vous trouverez le meilleur réglage. Consultez votre revendeur si vous avez besoin d'aide. REMARQUE: Sur «1», l'amortisseur doit être complètement fermé ou sorti d'environ 1/8 po à 1/4 po. Si l'amortisseur est trop éloigné, cela peut provoquer l'extinction du feu.

OUVERTURE DE PORTE

Si la porte est ouverte pendant que le poêle fonctionne, il faut la refermer dans les 30 secondes sinon le poêle va s'éteindre. Si cela se produisait, actionnez la commande "ON/OFF" pour redémarrer votre poêle.

VENTILATEUR D'AIR DE LA PIÈCE

Quand vous démarrez votre poêle, le ventilateur d'air de la pièce ne s'active pas avant que l'échangeur thermique se soit réchauffé. Cela prend en général 10 minutes à partir du démarrage.

MISE EN GARDE:
<ul style="list-style-type: none"> • NE FAITES PAS FONCTIONNER VOTRE POÊLE AVEC LA PORTE VUE OUVERTE. LA TARIÈRE N'ALIMENTERA PAS DE GRANULES DANS CES CIRCONSTANCES ET UN PROBLÈME DE SÉCURITÉ PEUT PROVOQUER DES ÉTINGELLES OU DES FUMÉES ENTRANT DANS LA PIÈCE. • LA PORTE D'ALIMENTATION DOIT ÊTRE FERMÉE ET SCÉLÉE PENDANT LE FONCTIONNEMENT.

SI LE POÊLE N'A PLUS DE GRANULÉS

• Le feu s'éteint et le moteur de vis sans fin et les soufflantes restent actives jusqu'à ce que le poêle ait refroidi. Cela prend 30 à 40 minutes.

• Une fois que les composants du poêle ont cessé de tourner, les voyants de "ON/OFF" et de la barre restent allumés pendant 10 minutes.

• Après les 10 minutes, le voyant "3" de la barre va clignoter et le voyant "ON/OFF" s'éteint.

• Pour redémarrer, regarnissez la trémie, appuyer sur le bouton "ON/OFF" et actionnez la commande "Fuel Feed" jusqu'à ce que des granulés commencent à tomber dans le pot de combustion.

RAVITAILEMENT

MISE EN GARDE:
<ul style="list-style-type: none"> • LA TRÉMIE ET LA CUISINIÈRE SERONT CHAUDES PENDANT LE FONCTIONNEMENT; PAR CONSÉQUENT, VOUS DEVEZ TOUJOURS UTILISER UN TYPE DE PROTECTION DES MAINS LORS DU RAVITAILEMENT DE VOTRE POÊLE. • NE TOUCHEZ PAS LES SURFACES CHAUDES DU POÊLE. ÉDUIQUEZ TOUS LES ENFANTS SUR LES DANGERS D'UN POÊLE À HAUTE TEMPÉRATURE. LES JEUNES ENFANTS DOIVENT ÊTRE SURVEILLÉS LORSQU'ILS SE TROUVENT DANS LA MÊME PIÈCE QUE LE POÊLE. • NE JAMAIS PLACER VOTRE MAIN PRÈS DE LA TARIÈRE PENDANT QUE LE POÊLE EST EN FONCTIONNEMENT. • NOUS VOUS RECOMMANDONS DE NE PAS LAISSER LA TRÉMIE TOMBER EN DESSOUS DE 1/4 PLEINE. • GARDER LE COUVERCLE DE LA TRÉMIE FERMÉ EN TOUT TEMPS SAUF LORS DU REMPLISSAGE. • AVERTISSEMENT: NE PAS AJOUTER DE GRANULÉS AU BRÛLEUR À LA MAIN À TOUT MOMENT, UNE CONDITION DANGEREUSE POURRAIT EN RÉSULTER. • NE REMPLISSEZ PAS TROP LA TRÉMIE.

ATTENTION:
LES TENTATIVES D'OBTENIR DES TAUX DE SORTIE DE CHALEUR QUI DÉPASSENT LES SPÉCIFICATIONS DE CONCEPTION DU CHAUFFAGE PEUVENT CAUSER DES DOMMAGES PERMANENTS AU CHAUFFAGE.

Un outil a été fourni pour vous aider avec les fonctions suivantes:

a. Remuer les granulés dans la trémie - contrairement aux liquides dans un réservoir, les granulés ne s'écoulent pas uniformément dans la vis sans fin. Un pontage à travers l'ouverture peut se produire. Les granulés peuvent

5. Des déchets de produits du pétrole, des peintures ou diluants à peinture, ou des produits d'asphalte;
6. Matériaux contenant de l'amiante;
7. Débris de construction ou de démolition;
8. Traverses de voie ferrée ou bois traité sous pression;
9. Fumier ou restes d'animaux;
10. Bois de grève en eau salée ou autres matériaux précédemment saturés par de l'eau salée;
11. Bois non séché; ou
12. Produits du papier, carton, contreplaqué, ou panneau de particules. L'interdiction de brûlage de ces matériaux n'interdit pas l'utilisation d'allume-feu composés de papier, carton, sciure de bois, cire et substances similaires, aux fins de démarquer le feu dans un chauffage au bois modifié.

CARBURANT APPROPRIÉ

ATTENTION:

CET APPAREIL EST CONÇU POUR L'UTILISATION DE COMBUSTIBLES GRANULÉS QUI RÉPOND OU DÉPASSENT LA NORME DÉFINIE PAR LE PELLETT FUEL INSTITUTE (PFI).

CE POÈLE EST APPROUVÉ POUR BRÛLER DU CARBURANT À GRANULÉS DE BOIS UNIQUEMENT! Les granulés approuvés par l'usine font un diamètre de 1/4 po à 5/16 po (7-8 mm), avec une longueur inférieure à 1 po (25 mm). Des granulés plus longs ou plus épais n'entrent pas dans les entraînements de la vis sans fin, ce qui empêche une alimentation correcte. Il n'est pas autorisé de faire brûler du bois sous une forme différente de granulés. Ce serait une infraction aux normes de construction pour lesquelles ce poêle a été approuvé, et cela annulerait toutes les garanties. La conception comprend une alimentation automatique du feu par du carburant en granulés à un taux soigneusement étudié. Toute introduction manuelle de carburant supplémentaires n'augmenterait pas la puissance de chauffe, mais dégraderait considérablement la performance du poêle en générant beaucoup de fumée. Ne faites pas brûler des granulés mouillés. La performance du poêle dépend fortement de la qualité de votre carburant en granulés. Évitez les marques de granulés présentant ces caractéristiques:

- Trop de poussier – Ce terme décrit des résidus de granulés écrasés ou de matière libre ressemblant à de la sciure ou du sable. Les granulés peuvent être tamisés avant d'être mis dans la trémie pour éliminer le plus gros du poussier.
- Présence de liants – Certains granulés sont produits avec des composants pour les agglomérer ou les lier.
- Fort contenu en cendres – Granulés de qualité médiocre qui souvent fument et salissent la vitre. Ils créent le besoin

pour de l'entretien plus fréquent. Vous aurez à vider le pot de combustion et à aspirer tout le système plus fréquemment. Des granulés de mauvaise qualité peuvent endommager la vis sans fin. Ne peut pas assumer la responsabilité de dommages dus à la mauvaise qualité des granulés. Votre revendeur peut vous recommander un fournisseur de granulés de bonne qualité dans votre secteur.

MISE EN GARDE:

- GARDER LES OBJETS ÉTRANGERS HORS DE LA TRÉMIE.
- LES PIÈCES MOBILES DE CE POÈLE SONT PROPULSÉES PAR DES MOTEURS ÉLECTRIQUES À COUPLE ÉLEVÉ. GARDER TOUTES LES PIÈCES DU CORPS À L'ÉCART DE LA TARIÈRE PENDANT QUE LE POÈLE EST BRANCHÉ À UNE PRISE ÉLECTRIQUE. CES PIÈCES EN MOUVEMENT PEUVENT COMMENCER À DÉPLACER À TOUT MOMENT PENDANT QUE LE POÈLE EST BRANCHÉ.

CONTRÔLE D'AVANT DÉMARRAGE

Enlevez le pot de combustion, en vous assurant qu'il est propre et qu'aucun des trous pour l'air n'est obstrué. Nettoyez la chambre de combustion, puis remettez en place le pot de combustion. Nettoyez la porte vitrée si nécessaire (un chiffon sec ou du papier essuie-tout suffisent généralement). N'utilisez jamais de nettoyeurs abrasifs sur la vitre ou la porte. Vérifiez le niveau de carburant dans la trémie, et faites l'appoint si nécessaire.

CONSTRUCTION D'UN FEU

N'utilisez jamais de grille ou d'autre support pour le carburant. N'utilisez qu'un pot de combustion approuvé. Durant la période de démarrage:

- Assurez-vous que le pot de combustion est exempt de granulés.
- Ouvrez PAS la porte de visualisation.
- Il se peut que le registre doit être fermé pendant le démarrage.
- N'ajoutez PAS de granulés dans le pot de combustion à la main.

Sinon une situation dangereuse pourrait en résulter. REMARQUE: Durant les premiers feux, votre poêle va émettre une odeur au fur et à mesure du durcissement de la peinture pour forte température ou du vieillissement du métal. Maintenir des feux modestes va minimiser le phénomène. Évitez de placer des choses sur le dessus du poêle durant cette période car la peinture pourrait en souffrir.

ALLUMEUR AUTOMATIQUE

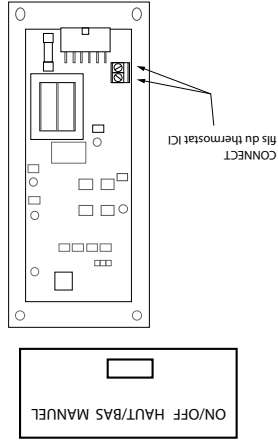
1. Remplissez la trémie et nettoyez le pot de combustion.
2. Appuyez sur le bouton "ON/OFF" Assurez-vous que son voyant est allumé.

"Fan" pour ventiler à pleine puissance au moins 5 minutes, afin d'éviter que le poêle ne fasse déclencher son thermostatique pour température trop forte.

ATTENTION:
LE RÉGLAGE À "4" N'EST PRÉVU QUE POUR UNE UTILISATION TEMPORAIRE. SUR DES DURÉES PROLONGÉES, IL PEUT RÉDUIRE DE FAÇON SIGNIFICATIVE LA DURÉE DE VIE DES COMPOSANTS ÉLECTRIQUES. ÉVITEZ D'UTILISER CE RÉGLAGE PENDANT PLUS D'UNE HEURE D'AFFILÉE.

THERMOSTAT OPTIONNEL

Un thermostat optionnel peut vous aider à maintenir automatiquement constante la température de la maison. Un thermostat millivolt est nécessaire. Le panneau de commandes peut être configuré de deux façons pour faire fonctionner votre poêle en mode avec thermostat.



INSTALLATION DE THERMOSTAT

• UN THERMOSTAT MILLIVOLT EST NÉCESSAIRE.

• Débranchez le poêle de la prise secteur.

• Sortez la carte de contrôle du poêle.

• Les deux fils de thermostat se branchent au bornier sur le côté inférieur gauche de l'envers de la carte.

• Insérez ces deux fils dans le bornier et serrez-les avec les vis.

MODES

POUR COMMUTER ENTRE CES TROIS MODES, LE POÊLE DOIT ÊTRE ARRÊTÉ, LE NOUVEAU MODE SÉLECTIONNÉ ET LE POÊLE REDÉMARRÉ. MODE MANUEL
• N'UTILISEZ CE MODE QUE SI VOUS NE BRANCHEZ PAS UN THERMOSTAT OPTIONNEL.

• Dans ce mode le poêle ne va être piloté que depuis le panneau de commande, comme c'est détaillé dans la section "FONCTIONNEMENT" de ce manuel d'utilisateur.

MODE THERMOSTAT M/A

• Une fois dans ce mode le poêle va automatiquement commuter entre deux réglages. Quand il est assez chaud, il va revenir au niveau 1 ou réglage faible. La soufflante d'air de la pièce va aussi passer à sa vitesse inférieure.
• Le réglage "Heat Level Advance" de la barre va rester où il a été mis initialement. Quand la maison refroidit sous la température de consigne du thermostat, le poêle va la température de consigne du thermostat, le poêle va plus faible taux d'alimentation.

MODE THERMOSTAT

• Dans ce mode tout-ou-rien, quand la maison est assez réchauffée le poêle s'arrête. Les ventilateurs continuent de tourner jusqu'au refroidissement du poêle.
• Quand la maison refroidit sous la température de consigne du thermostat, le poêle va redémarrer automatiquement avec le thermostat
• Ne faites pas fonctionner le poêle plus fort que le réglage 3.
• Réglez la tige de registre sortie d'environ 6,3 à 12,7 mm. Cela va dépendre de l'altitude et des conditions climatiques. Observez le fonctionnement du poêle et ajustez le registre si nécessaire.

ATTENTION:

• N'UTILISEZ PAS DE PRODUITS CHIMIQUES OU DE FLUIDES POUR ALLUMER LE FEU - NE JAMAIS UTILISER D'ESSENCE, DE CARBURANT POUR LANTERNE DE TYPE ESSENCE, DE KÉROËNE, DE LIQUIDE À BRIQUET AU CHARBON OU DE LIQUIDES SIMILAIRES POUR ALLUMER OU «RAFFRAÎCHIR» UN FEU DANS CE POÊLE. GARDEZ TOUS CES LIQUIDES BIEN ÉLOIGNÉS DU POÊLE PENDANT SON UTILISATION.
• CHAUD EN FONCTIONNEMENT. TENIR LES ENFANTS, LES VÊTEMENTS ET LES MEUBLES À L'ÉCART. LE CONTACT PEUT CAUSER DES BRÛLURES DE LA PEAU.

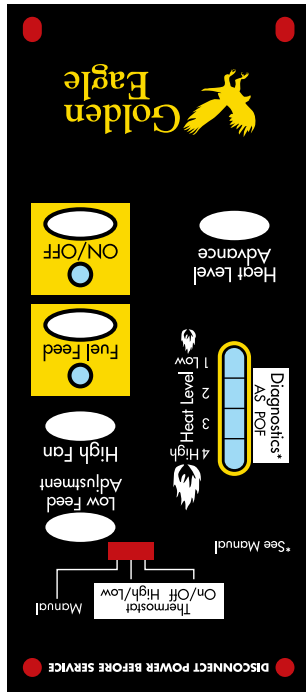
Le chauffage est conçu pour ne brûler que des granulés de classe supérieure PFI. NE PAS BRÛLER:

- 1. Des ordures;
- 2. Des déchets de tonte ou résidus de jardin;
- 3. Des matériaux contenant du caoutchouc, incluant les pneus;
- 4. Matériaux contenant du plastique;



N'UTILISEZ JAMAIS CE PRODUIT SANS SURVEILLANCE

PANNEAU DE COMMANDES



- Pendant que le système de vis sans fin du poêle alimente en granulés, le voyant vert dans le carré "Fuel Feed" sera allumé.

MISE EN GARDE:

N'UTILISEZ PAS CETTE COMMANDE PENDANT UN FONCTIONNEMENT NORMAL, CAR ELLE POURRAIT ÉTENDRE LE FEU ET ENTRAÎNER UNE SITUATION DANGÉREUSE.

COMMANDE DE VENTILATION RAPIDE

- La vitesse de ventilation dans la pièce varie directement en fonction du taux d'alimentation. La commande "HIGH FAN" supasse cette fonction de ventilation à vitesse variable. Elle fixe la vitesse de ventilation dans la pièce au maximum quelque soit le taux d'alimentation en carburant.
- Quand cette commande "High Fan" est actionnée le ventilateur tourne à son régime maximal.
- Quand cette commande est actionnée de nouveau, le ventilateur revient à sa vitesse d'origine déterminée par le réglage de "Feed Rate Advance".

COMMANDE D'ADAPTATION

Des granulés de carburant de taille/qualité différentes peuvent nécessiter un ajustement du réglage "1" d'alimentation sur la barre de "Feed Rate Advance". C'est généralement un ajustement ponctuel selon le carburant utilisé. Cette commande "Reset Trim" permet trois niveaux différents d'adaptation d'alimentation pour le réglage "1" uniquement. Il suffit d'actionner la commande "Reset Trim" pendant le fonctionnement du poêle en réglage "1" et de regarder la barre.

- Les voyants "1" et "3" sont allumés sur la barre: le taux d'alimentation faible est à son plus bas niveau (environ 0,4 kg/h).
- Le voyant "1" est seul allumé sur la barre: le taux d'alimentation faible est à son niveau normal.
- Les voyants "1" et "4" sont allumés sur la barre: le taux d'alimentation faible est à son plus haut niveau.

REMARQUE: Quand le poêle est réglé sur "1" les valeurs d'adaptation sont indiquées sur la barre de "Heat Level Advance". Par exemple si l'ajustement a été mis au plus bas niveau, chaque fois que le poêle est réglé sur chauffage faible les voyants "1" et "3" seront allumés sur la barre.

PROGRESSION DU NIVEAU DE CHAUFFE

• Quand cette commande est actionnée elle règle le taux d'alimentation en granulés, donc la puissance de chauffe de votre poêle. Ces niveaux vont progresser de façon incrémentale sur la barre indicatrice, en allant de "1" à "4".

REMARQUE: Quand vous baissez la puissance de chauffe de plusieurs niveaux (de 4 à 1), actionnez la commande "High

COMMUTATEUR M/A

Les soufflantes et l'alimentation automatique en carburant sont commandées depuis un panneau situé sur le côté droit. Les fonctions de commande du panneau sont:

- Quand cette commande est actionnée le poêle s'allume automatiquement. Aucun autre allumeur de feu n'est nécessaire. L'allumeur reste activé de 10 à 15 minutes, selon le moment ou la présence de feu est établie. Le feu doit prendre après 5 minutes environ.
- Le voyant vert situé au-dessus du bouton de M/A (dans la case ON/OFF) va clignoter durant la période d'allumage au démarrage.
- La sélection de puissance "Heat Level Advance" est inhibée durant cette période d'allumage. Quand le précédent voyant vert reste allumé en fixe la puissance de chauffe peut être ajustée au niveau voulu avec la commande "Heat Level Advance".

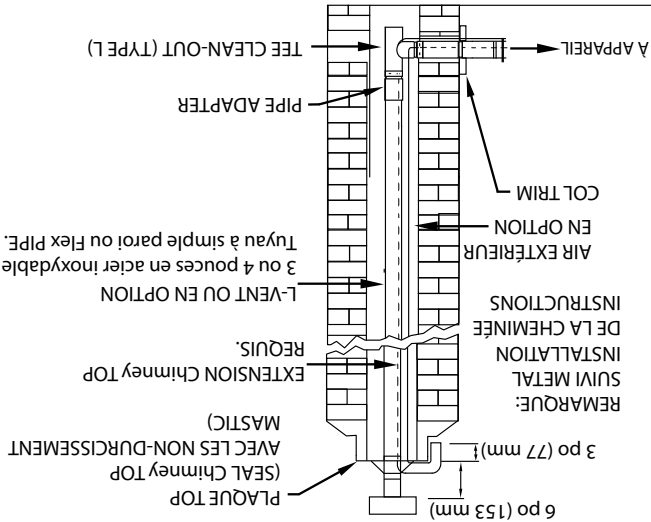
REMARQUE: Si le poêle vient d'être arrêté et que vous voulez le redémarrer encore chaud, il vous faut maintenir appuyé pendant 2 secondes le bouton de la commande "ON/OFF".

COMMANDE D'ALIMENTATION EN CARBURANT

- Quand la commande "Fuel Feed" est actionnée et maintenue appuyée, le poêle va envoyer continuellement des granulés dans le pot de combustion.

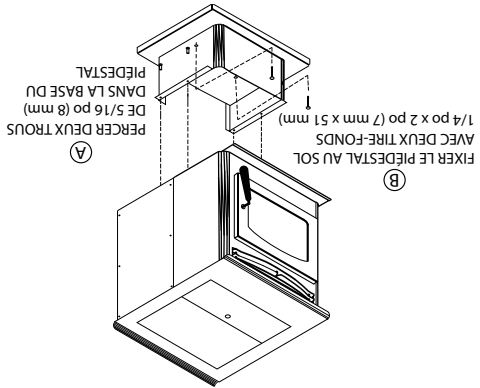
avec au moins trois vis de tôle en acier inox de 1/4 po. Scellez tous les joints et raccords autour de la mitre.

6. Branchez le tuyau horizontal en le poussant au travers du trou dans la maçonnerie et en l'alignant avec la branche centrale du té. Poussez ce tuyau dans le té en le tournant pour le verrouiller dedans.
7. Si vous le souhaitez, une fois que ce tuyau horizontal est en place, l'espace entre tuyau et maçonnerie peut être comblé avec du mortier pour températures élevées.
8. Installez le collier de parure. Une longueur de tuyau réglable et un adaptateur peuvent être nécessaires pour terminer le raccordement au poêle.



INSTALLATION ÉLECTRIQUE

Ce poêle est fourni avec un cordon d'alimentation secteur de 1,8 m comportant une liaison de terre, qui sort à son arrière. Nous recommandons son branchement sur un parasurtenseur de qualité lui-même branché sur une prise secteur standard trois broches en 120 V/60 Hz. Des variations de tension peuvent causer de sérieux problèmes de performance. Le système électrique du US Stove est conçu pour du 120 V CA présentant moins de 5 % de variation. US Stove ne peut pas endosser de responsabilités pour une performance médiocre ou des dommages qui viendraient d'une tension inadéquate. En cas de branchement sur une ancienne prise à deux broches il faut tirer une liaison séparée sur une terre électrique de bonne qualité (réferez-vous pour cela à un électricien qualifié). Faites toujours passer le cordon d'alimentation de telle façon qu'il n'entre pas en contact avec une quelconque partie chaude du poêle.



Les installations canadiennes exigent que l'appareil de chauffage soit raccordé à une cheminée préfabriquée de 3 ou 4 pouces conforme à la norme CAN / UL-C-S629. Voir les illustrations d'installation dans ce manuel pour la hauteur minimale au-dessus du toit. Pour l'installation dans une maison mobile, une source extérieure d'air de combustion doit être utilisée (voir «Alimentation en air de combustion»). Cette unité doit être mise à la terre au châssis en acier de la maison avec un fil de cuivre de 8 Ga. À l'aide d'une rondelle dentelée ou en étoile pour pénétrer la peinture ou le revêtement protecteur afin d'assurer la mise à la terre. Cet appareil doit être solidement fixé au plancher de la maison mobile à travers les deux trous à l'arrière du poêle à l'aide de deux tire-fonds de 1/4 po (7 mm) qui sont assez longs pour passer à la fois par un coussin de foyer, s'il est utilisé, et le sol de la maison. Reportez-vous à la section «Ventilation» de ce manuel pour les configurations d'évacuation appropriées.

ATTENTION! NE PAS INSTALLER DANS UNE CHAMBRE À COUCHER.

MISE EN GARDE! L'INTÉGRITÉ STRUCTURELLE DU PLANCHER, DES MURS ET DU PLAFOND / TOIT DE LA MAISON MOBILE DOIT ÊTRE MAINTENUE.

LORSQU'IL EST INSTALLÉ DANS UNE MAISON MOBILE, LE POÊLE DOIT ÊTRE MIS À LA TERRE DIRECTEMENT AU CHÂSSIS EN ACIER ET BOULONNÉ AU SOL.

EXIGENCES SPÉCIALES POUR MAISON MOBILE

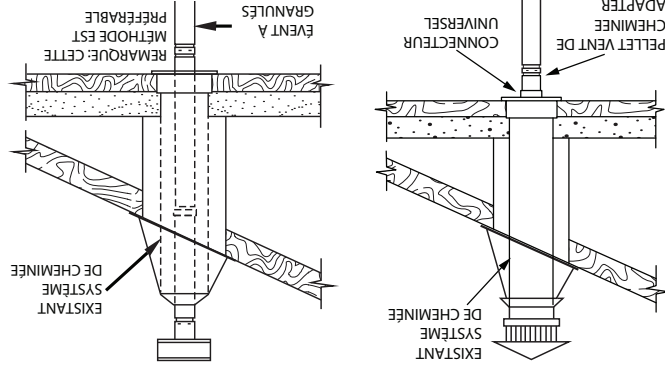
OPTION : Installez un coude de ventilation en PL à la place du té de nettoyage. Positionnez le poêle. Laissez tomber le poids d'un fil à plomb au centre du té de sortie, et marquez la verticale au plafond. Installez un manchon d'embobittement de ventilation en PL suivant les instructions du constructeur.

1. Maintenez toujours un écartement de 3 po (75 mm) par rapport à des matériaux combustibles. En cas de traversée supplémentaire de planchers ou plafonds, installez toujours un coupe-feu.

2. Après l'alignement avec le trou dans le toit, découpez un trou rond ou carré dans le toit, toujours plus gros de 3 po tout du long que le passage de tuyau. Installez le bord supérieur et les côtés du solin sous le matériau de toiture, clouez au toit en suivant le bord supérieur. Ne clouez pas le bord inférieur. Protégez les têtes de clous avec du mastic étanche ne durcissant pas.

3. Appliquez du mastic étanche ne durcissant pas à l'endroit où la mitre va rejoindre la ventilation et le solin. Faites glisser en PL abaisissant la mitre jusqu'à ce qu'elle repose sur le solin. Installez et scellez un capuchon. Les installations en maison mobile doivent utiliser un pare-étincelles.

VERTICALEMENT AVEC UN SYSTÈME DE CHEMINÉE EXISTANT



Des adaptateurs sont disponibles pour raccorder depuis une ventilation en PL de 3 po ou une cheminée de Classe A de 8 po. En solution alternative, une ventilation en PL de 3 ou 4 po peut être tirée à l'intérieur de la cheminée existante jusqu'à sa terminaison. C'est la méthode à préférer. Respectez les consignes pour la longueur équivalente de ventilation.

VERTICALEMENT DANS UN FOYER EN MAÇONNERIE EXISTANT

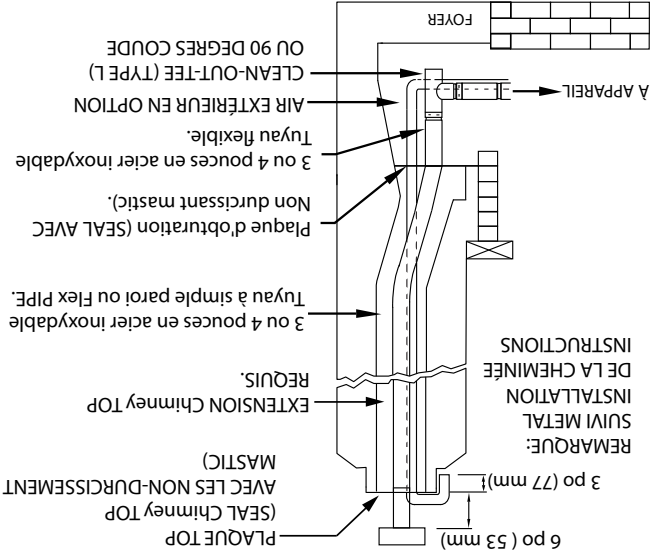
1. Votre cheminée doit être inspectée par une entreprise qualifiée de ramonage ou d'installation pour déterminer son état structurel.

2. Vous aurez besoin d'une longueur de tuyau égale à la hauteur de cheminée depuis l'âtre. Si de l'air de combustion extérieur est utilisé, vous aurez besoin d'une longueur de tuyau égale à la hauteur de cheminée plus 18 pouces (45,7 cm).

3. Installez une plaque d'obturation et le tuyau de cheminée et, si vous l'utilisez, le tuyau d'air extérieur, comme montré. Fixez l'adaptateur de ventilation en PL, une section de tuyau et un té de nettoyage, en vous assurant que ce dernier est centré dans la zone de conduit de cheminée. Utilisez de la bande métallique RTV et un minimum de trois vis auto taraudées à tous les points de jonction afin d'assurer un bon scellement.

5. Positionnez le poêle en respectant les écarterments montés.

6. Mesurez et construisez une plaque sommitale de cheminée. Découpez des trous pour le tuyau de cheminée et, s'il y a lieu, pour le tuyau d'air extérieur. Installez et scellez avec du mastic ne durcissant pas pour éviter des fuites d'eau. Installez un capuchon de ventilation.



INSTALLATION AU TRAVERS DU CÔTÉ D'UNE CHEMINÉE EN MAÇONNERIE

1. Positionnez le poêle en respectant les écarterments montés. Marquez le centre du trou où le tuyau doit pénétrer la cheminée en maçonnerie.

2. Il peut être nécessaire de casser la maçonnerie autour de l'emplacement du marquage central pour le tuyau. Faites un trou de 4" de diamètre pour un tuyau de 3 po, et un trou de 5" pour un tuyau de 4 po.

3. Mesurez et construisez une plaque sommitale de cheminée. Découpez des trous pour le tuyau de cheminée et, s'il y a lieu, pour le tuyau d'air extérieur.

4. Installez le té en bas sur le système de tuyau vertical, et abaissez-le dans la cheminée jusqu'à ce que sa branche centrale soit au niveau du centre du trou dans la maçonnerie, comme c'est montré.

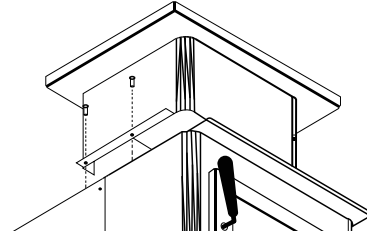
5. Installez et scellez la plaque sommitale de l'étape 3 avec du mastic ne durcissant pas. Glissez la mitre sur le tuyau, et tout en maintenant le tuyau à la bonne hauteur, fixez-la

ou un plafond. OÙ passage à travers un mur ou une cloison en matériau combustible, l'installation doit être conforme à la norme CAN/CSA-B365, Code d'installation des appareils et du matériel solide à combustibles. NE RACCORDEZ PAS CETTE UNITÉ SUR UN CONDUIT DE FUMÉE DESSERVANT UN AUTRE APPAREIL. N'INSTALLEZ PAS DE CLAPET DE TIRAGE DANS LE SYSTÈME DE VENTILATION D'ÉVACUATION AVEC LES ÉCARTEMENTS SPÉCIFIÉS PAR SON FABRICANT.

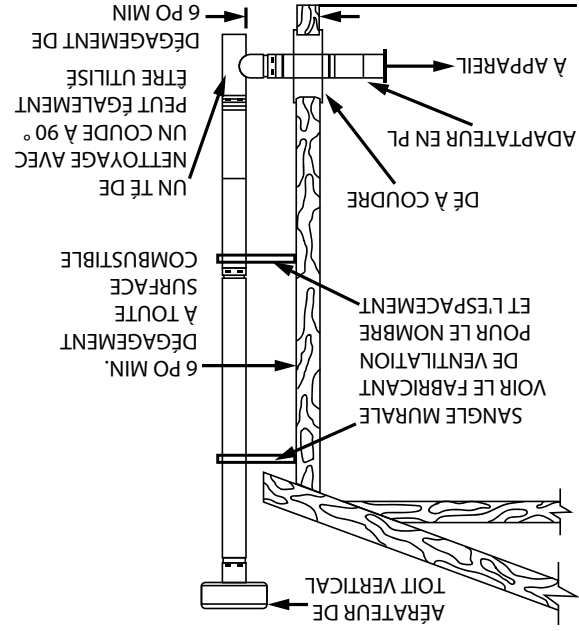
MONTAGE DU PIÉDESTAL OU DU JEU DE PIEDS

PIEDS

Si vous utilisez un piédestal, suivez les instructions à l'intérieur. Si vous utilisez des pieds moulés, suivez les instructions figurant à l'intérieur des ensembles de pieds. Les pieds sont installés à l'aide de boulons fournis dans le kit, sous le poêle, sous le poêle à chaque coin, visser les écrous et serrer. Assurez-vous de sauvegarder les bouchons de trous.



HORIZONTALEMENT AU TRAVERS D'UN MUR

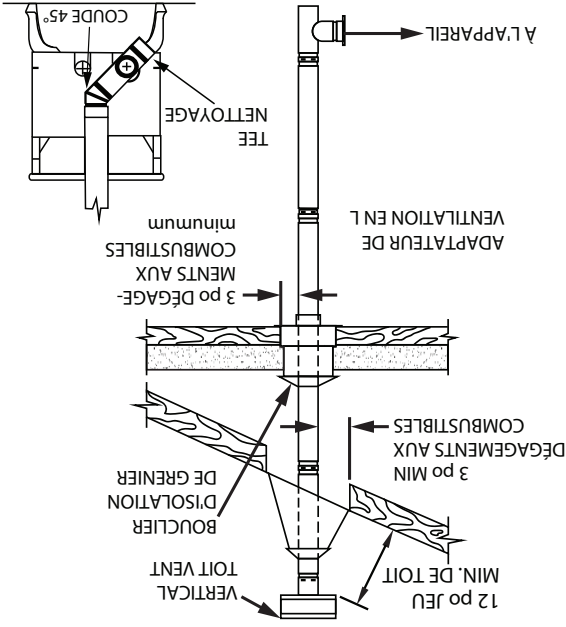


1. Positionnez le poêle en respectant les écartements montrés aux.
2. Situez la position du trou dans le mur, directement derrière la sortie d'évacuation du poêle.

VERTICALEMENT AVEC UN SYSTÈME DE CHEMINÉE NEUF

Positionnement des terminaisons : a) pas moins de 3 pi (90 cm), au-dessus de toute entrée d'air située à moins de 10 pi (3 m) ; pas moins de 4 pi (120 cm) en dessous ou latéralement, et 1 pi (30 cm) au-dessus de toute porte, fenêtre ou admission d'air par gravité dans tout bâtiment ; pas moins de 2 pi (60 cm) par rapport à un bâtiment adjacent, et pas moins de 7 pi (210 cm) au-dessus du sol en cas de situation adjacente à un passage public. Les installations en maison mobile doivent utiliser un pare-étincelles, usés brûlures en cas de contact.

3. Maintenez toujours un écartement de 3 po (75 mm) par rapport à des matériaux combustibles.
4. Installez un manchon d'emboîtement de ventilation en PL suivant les instructions du constructeur.
5. Raccordez assez de tuyau pour pénétrer et dépasser d'au moins 6 po (15 cm) à l'extérieur de l'autre côté du mur. Un tronçon de tuyau vertical de 8 pieds (2,4 m) est suggéré quand c'est possible pour réduire l'éventualité de dispersion de fumée en cas de perte de pression négative.
6. Fixez un capuchon et scellez l'extérieur des manchons d'emboîtement avec du mastic étanche à l'eau ne durcissant pas.
7. La terminaison ne doit pas être située à un endroit où elle serait susceptible d'enflammer des arbres, buissons ou herbes, ou de présenter un risque pour des enfants. Les gaz d'évacuation peuvent atteindre des températures de 500°F (260 °C) et causer de sérieuses brûlures.



OPTION : Pour réaliser une installation verticale centrale, un coude à 45° et un té de nettoyage peuvent être utilisés pour décaler la tuyauterie de la sortie d'évacuation au milieu de l'arrière du poêle.

NON-UTILISATION D'AIR EXTÉRIEUR

Si de l'air extérieur n'est pas utilisé, il est important que l'air de combustion soit facilement disponible à l'entrée d'air. Un registre d'air extérieur pouvant se fermer peut être utilisé dans les maisons très bien isolées. Avec les installations en insert, les soins de ventilation ne doivent pas être restreints. Le solin ne doit pas nécessairement fermer la face du foyer.

IMPORTANT D'UN TIRAGE ADEQUAT

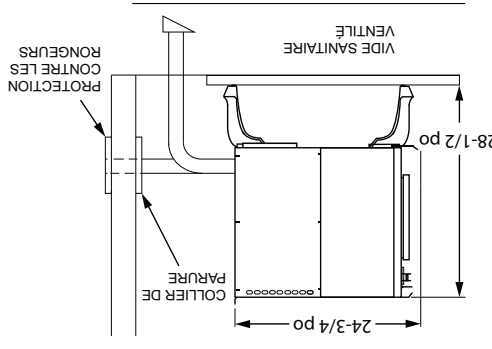
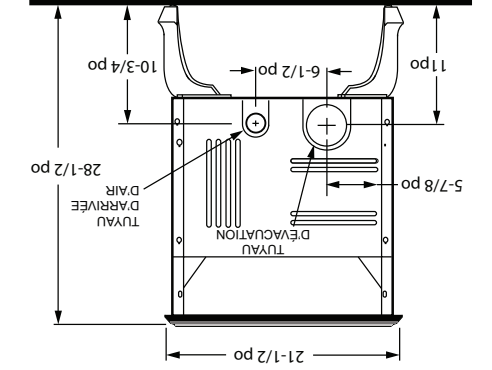
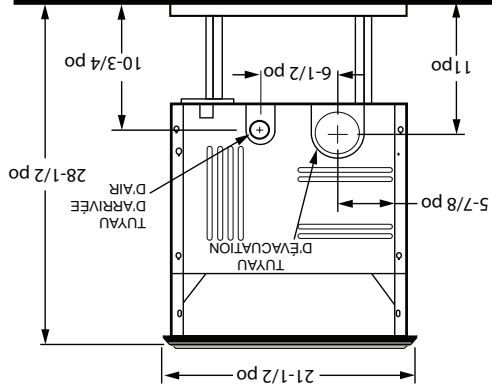
Le tirage est une force déplaçant l'air de l'appareil vers la cheminée. La quantité de tirage dans votre cheminée dépend de sa longueur, son emplacement géographiquement local, les obstructions à proximité et autres facteurs. Trop de tirage peut causer des températures excessives dans l'appareil. Un tirage inadéquat peut causer des retours de fumée dans la pièce et causer l'obturation de la cheminée. Un tirage inadéquat causera des fuites de fumée par l'appareil dans la pièce, s'infiltrant par l'appareil, et les joints du conduit de raccordement. Un brûlage incontrôlable ou une température excessive indique un tirage excessif. Tenez compte de l'emplacement de la cheminée pour veiller à ce qu'elle ne soit pas trop près des voisins ou dans une vallée pouvant causer des conditions malsaines ou nuisibles.

VENTILATION

ATTENTION:

- **INSTALLER L'ÉVENT AUX DÉGAGEMENTS SPÉCIFIÉS PAR LE FABRICANT DE L'ÉVENT.**
- **NE PAS RACCORDER L'ÉVENT À GRANULES À UN ÉVENT SERVANT À TOUT AUTRE APPAREIL OU POÊLE.**
- **N'INSTALLEZ PAS D'AMORTISSEUR DE FUMÉE DANS LE SYSTÈME D'ÉVACUATION D'ÉCHAPPEMENT DE CET APPAREIL.**

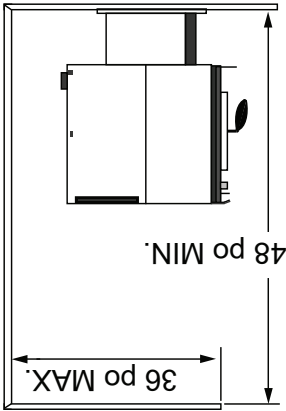
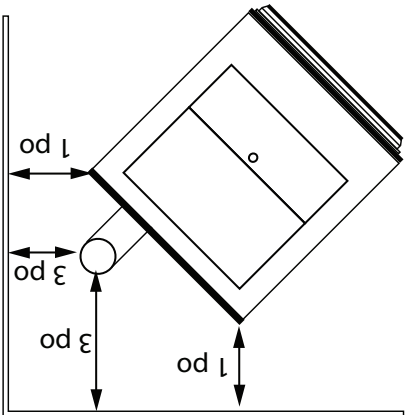
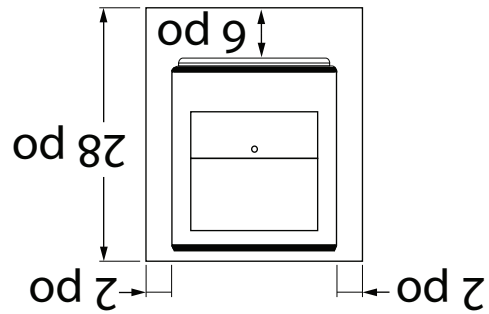
Le en autonome est certifié pour une utilisation avec une ventilation type en PL agréée, de diamètre 3 ou 4 po. Le poêle a été testé avec une de la marque Simpson Duravent. Une cheminée de classe "A" n'est pas nécessaire. Référez-vous aux instructions fournies par le fabricant de la ventilation, en particulier si vous devez traverser mur, plafond ou toit. C'est un système à évacuation sous pression. Toutes les jonctions de connecteur de ventilation doivent être scellées avec du mastic aux silicones RTV résistant à 500°F (260 °C) afin d'assurer une performance constante et éviter des dispersions de fumée. Toutes les jonctions de connecteur horizontal doivent être scellées avec de la bande métallique UL-181-AP. Nous recommandons que toutes les jonctions de ventilation verticale soient fixées avec au moins 3 vis. Il est fortement recommandé que vous ayez au moins 6 pi (1,8 m) de tuyau à la verticale dans votre système d'évacuation. Pour la meilleure performance du poêle, limitez le nombre de coudes et parties horizontales de tuyau autant que possible. Un connecteur de cheminée ne doit pas passer approuvé un grenier ou un espace sur le toit, un placard ou tout espace confiné semblable, ou un plancher



- Si l'air extérieur est fourni le chauffage doit être fixé à la structure. Pour une installation en maison mobile, le poêle doit être relié à une source extérieure d'air de combustion. Un tuyau métallique de diamètre intérieur 2 po, flexible ou bien rigide, peut être fixé sur l'entrée à l'arrière du poêle. Une protection contre les rongeurs (avec mailles de grillage d'au moins 1/4 po)/hôte anti-vent doit être utilisée à la terminaison. Tous les raccordements doivent être fixés et étanchéifiés, en utilisant une attache de tuyau du bon calibre et/ou du ruban métallique UL-181-AP. Pour des installations en maison mobile uniquement : Un tuyau de diamètre intérieur 2 po peut être utilisé pour le premier mètre cinquante de tronçon pour l'air de combustion. De 1,5 à 3 mètres, utilisez du tuyau de diamètre intérieur 2-3/4 po. Aucune alimentation en air de combustion ne doit dépasser 3 mètres. Sources d'air de combustion extérieur
- Un trou dans le plancher près de l'arrière du poêle se terminant uniquement dans un vide sanitaire ventilé.
- Un trou dans le mur derrière le poêle.

PROTECTION DE PLANCHER

Le poêle doit être placé sur un matériau continu (joints avec coulis) non-combustible, comme des carreaux de céramique, une plaque de béton, de la brique, du celloderm de 3/8 po ou un matériau équivalent, ou d'autres matériaux approuvés ou listés pour la protection de sol. LE(S) MATÉRIAU(X) UTILISÉ(S) DOIT/DOIVENT AVOIR OU SE COMBINER POUR AVOIR UN TAUX D'ISOLATION D'AU MOINS R1.

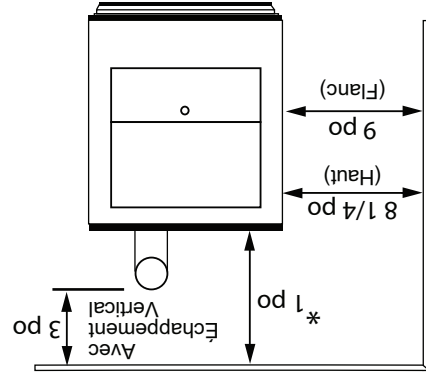


* AVEC ÉVACUATION HORIZONTALE

ÉCARTEMENTS EN ALCOVE

FOURNITURE D'AIR DE COMBUSTION

ATTENTION:
NE PAS VENTILER SOUS UNE PORCHE, UNE PONT, UN AUVENT OU DANS TOUTE ZONE SEMI-CLOS OU TOIT. LE FAIRE PEUT ENTRAÎNER UN FLUX D'AIR IMPRÉVISIBLE AU BOUCHON D'ÉVENT DANS CERTAINES CONDITIONS ET PEUT AFFECTER LES PERFORMANCES DE VOTRE POÊLE, AINSI QUE D'AUTRES PROBLÈMES IN PRÉVISIBLES.



Cet appareil a été testé et homologué pour une installation dans des applications résidentielles, mobiles et en alcove.

ÉCARTEMENTS

REMARQUE : Un carrelage, en céramique ou autre, nécessite une feuille continue par-dessous pour éviter la possibilité que des braises tombent au travers jusqu'au plancher combustible en cas de craquelure ou de séparation sur la surface de finition, cela inclut une protection de sol pour des âtres intégrés surélevés. Vérifiez les normes locales pour des alternatives approuvées. Les écartements sont mesurés à partir des côtés, de l'arrière et de la façade (ouverture de porte) ou du corps du poêle. N'UTILISEZ PAS DE MATÉRIAUX IMPROVISÉS OU DE COMPROMIS À L'INSTALLATION DE L'APPAREIL. INSTALLEZ LA VENTILATION AVEC LES ÉCARTEMENTS SPÉCIFIÉS PAR SON FABRICANT. NE BRANCHEZ PAS CET APPAREIL À UN CONDUIT OU À UN SYSTÈME DE DISTRIBUTION D'AIR SAUF ACCORD SPÉCIFIQUE POUR CES INSTALLATIONS.

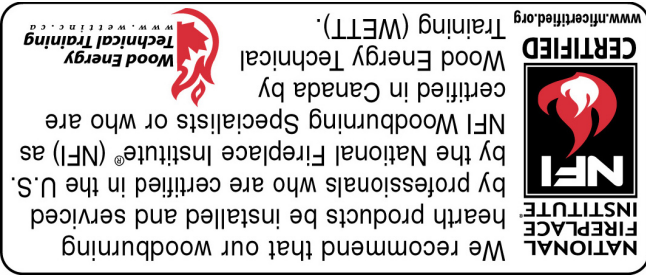
L'emballage d'usine doit être enlevé, et un travail d'assemblage mineur est nécessaire avant l'installation. Un accès à l'arrière du poêle est nécessaire. Il faut déballer et installer la carte de circuit/panneau de commandes dans le solin de côté sur l'insert, ou le panneau latéral sur le poêle autonome (Voyez les instructions d'installation fournies avec la carte de circuit). REMARQUE : Normalement c'est votre revendeur qui doit exécuter ces étapes.

PRÉPARATION

<https://www.wettinc.ca/>

<https://nificertified.org>,

US Stove recommande fortement que votre poêle soit installé par un technicien qualifié NFI (US) ou WETT (Canada). Pour trouver l'installateur qualifié le plus proche, accédez à:



- L'UTILISATION D'AIR EXTÉRIEUR N'EST PAS NÉCESSAIRE POUR CET APPAREIL.
- NE DÉBRANCHEZ PAS LE POÊLE SI VOUS SOUÇONNEZ UN DYSFONCTIONNEMENT. PLACEZ LE CONTACTEUR ON/OFF SUR « OFF » PUIS PRENEZ CONTACT AVEC LE CONCESSIONNAIRE.
- LE POÊLE NE FONCTIONNE PAS PENDANT LES COUPURES DE COURANT. EN CAS DE PANNE DE COURANT, VEILLEZ AUX ÉMANATIONS DE FUMÉE DU POÊLE ET OUVEREZ UNE FENÊTRE SI LA FUMÉE SE RÉPAND DANS LA PIÈCE.
- N'OBSTREZ JAMAIS LA CIRCULATION DE L'AIR DES GRILLES D'ÉVACUATION OUVERTES DE L'APPAREIL.

ATTENTION:

- UN DÉTECTEUR DE FUMÉE FONCTIONNEL DOIT ÊTRE INSTALLÉ DANS LA PIÈCE OÙ SE TROUVE LE POÊLE.
- INSTALLEZ UN DÉTECTEUR DE FUMÉE À CHAQUE ÉTAGE DE VOTRE MAISON; EN CAS D'INCENDIE ACCIDENTEL DÙ À N'IMPORTE QUELLE CAUSE, CE DISPOSITIF PEUT LAISSER LE TEMPS DE S'ÉCHAPPER.
- LE DÉTECTEUR DE FUMÉE DOIT ÊTRE INSTALLÉ À AU MOINS 15 PIEDS (4,57 M) DE L'APPAREIL AFIN D'ÉVITER QU'IL NE SE DÉCLENCHE INUTILEMENT LORS DU RECHARGEMENT DU POÊLE.

ATTENTION:

ATTENTION: LA COMBUSTION DU COMBUSTIBLE GÉNÈRE DU MONOXYDE DE CARBONE QUI PEUT SAVÈRER DANGEREUX POUR LA SANTÉ EN L'ABSENCE D'UNE VENTILATION APPROPRIÉE.

ATTENTION:

- SI CE POÊLE N'EST PAS INSTALLÉ CORRECTEMENT, UN INCENDIE PEUT EN RÉSULTER. POUR RÉDUIRE LES RISQUES D'INCENDIE, SUIVEZ LES INSTRUCTIONS D'INSTALLATION.
- ADRESSEZ-VOUS AUX AUTORITÉS LOCALES DE L'URBANISME POUR OBTENIR UN PERMIS ET DES RENSEIGNEMENTS SUR TOUTE AUTRE RESTRICTION À L'INSTALLATION ET SUR LES EXIGENCES D'INSPECTION DANS VOTRE RÉGION.
- NE PLACEZ AUCUN VÊTEMENT OU AUTRE OBJET INFLAMMABLE SUR OU PRÈS DU POÊLE.
- N'UTILISEZ JAMAIS D'ESSENCE, DE COMBUSTIBLE À LANTERNE DE TYPE ESSENCE, DE KÉROSÈNE, D'ESSENCE D'ALLUME-FEU OU D'AUTRES LIQUIDES SIMILAIRES POUR ALLUMER OU RAVIVER LE FEU DANS CE POÊLE. GARDEZ TOUS CES LIQUIDES ÉLOIGNÉS DU POÊLE LORSQU'IL EST EN MARCHÉ.
- LE SYSTÈME D'ÉCHAPPEMENT DOIT ÊTRE COMPLÈTEMENT ÉTANCHE ET CORRECTEMENT INSTALLÉ. LES JOINTS D'ÉVENT À GRANULÉS DOIVENT ÊTRE SCÉLLÉS AVEC DU SCÉLLANT AU SILICONE RTV 500 ° F (260 ° C) ET AVEC LE RUBAN ALU UL-181-AP.
- CET APPAREIL EST UN APPAREIL DE CHAUFFAGE AUTONOME. IL N'EST PAS CONÇU POUR ÊTRE RELIÉ À DES CONDUITS DE DISTRIBUTION D'AIR. CE N'EST PAS UN FOURNEAU.
- INSTALLEZ L'ÉVENT AUX DÉGAGEMENTS SPÉCIFIÉS PAR LE FABRICANT DE L'ÉVENT.
- N'INSTALLEZ PAS DE REGISTRE DE TIRAGE SUR LE SYSTÈME D'ÉVACUATION DE CET APPAREIL.
- CE POÊLE DOIT ÊTRE RÉGULIÈREMENT ENTRETENU ET NETTOYÉ (VOIR LA SECTION « ENTRETIEN »). LE DÉFAUT D'ENTRETIEN DU POÊLE PEUT ENTRAÎNER UN FONCTIONNEMENT INAPPROPRIÉ ET DANGEREUX.
- UN DISJONCTEUR DOIT ÊTRE INSTALLÉ. CET APPAREIL DOIT ÊTRE BRANCHÉ SUR UNE PRISE MURALE AVEC TERRE DE 120 V, 60 Z. N'UTILISEZ PAS D'ADAPTATEUR DE PRISE ET NE COUPEZ PAS LA FICHE DE TERRE. N'ACHÉMINÉZ PAS LE CORDON ÉLECTRIQUE SOUS, DEVANT OU SUR LE POÊLE. NE FAITES PAS COURIR LE CORDON ÉLECTRIQUE DANS LES ZONES DE PASSAGE ET NE LE COINCEZ PAS SOUS LES MEUBLES.

AVIS DE SÉCURITÉ

Votre poêle à bois ne doit être installé que par un installateur qualifié NFI est disponible à l'adresse www.nficertified.org/public/find-an-nfi-pro/

SERVICE CLIENTS

1-800-750-2723 poste 5050

Texte au 423-301-5624

E-mail à: customerservice@usstove.com

LISTE DE CONTRÔLE DE MISE EN SERVICE

Cette liste de contrôle doit être remplie intégralement par la personne qualifiée qui installe cet appareil. Conservez cette page pour référence future.

Le fait de ne pas installer et mettre en service selon les instructions du fabricant et de remplir cette liste de contrôle annulera la garantie.

S'il te plaît imprime

Nom du client:		Numéro de téléphone:	
Adresse:			
Modèle:			
Numéro de série:			
Nom de la société d'installation:		Numéro de téléphone:	
Nom du technicien d'installation:		Numéro de licence:	

DESCRIPTION DU TRAVAIL

Emplacement de l'appareil installé: _____

Système de ventilation: nouveau système de ventilation Oui Non Si oui, marque _____

Si non, date d'inspection du système de ventilation existant: _____

MISE EN SERVICE

Confirmer l'installation du tapis de foyer conformément aux instructions d'installation

Confirmer le bon placement des pièces internes

Vérifier la solidité du joint de porte et des joints de porte

Confirmer les dégagements aux combustibles selon les instructions d'installation de ce manuel

Vérifier le fonctionnement des commandes pneumatiques

Confirmez que le système de ventilation est sécurisé et scellé

Confirmer que le poêle démarre et fonctionne correctement

Assurez-vous qu'un avertisseur de CO est installé conformément aux codes du bâtiment locaux et qu'il est fonctionnel

Expliquer le fonctionnement en toute sécurité, l'utilisation appropriée du carburant, le nettoyage et les exigences d'entretien de routine

Déclaration d'achèvement: En tant que personne qualifiée responsable des travaux décrits ci-dessus, je confirme que l'appareil en tant que travail associé a été installé selon les instructions du fabricant et en suivant les codes de construction et d'installation applicables.

Signé: _____ Nom en lettres moulées: _____ Date: _____

Propriétaire du domicile: CONSERVEZ CETTE INFORMATION POUR RÉFÉRENCE FUTURE

Ce manuel décrit l'installation et le fonctionnement du chauffage au bois, Golden Eagle, 5040. Ce chauffage respecte les limites d'émission 2020 de bois en saison de la U.S. Environmental Protection Agency pour les chauffages au bois solide après le 15 mai 2020. Sous les conditions spécifiques du test, ce chauffage a démontré un taux de chauffage de 4 814 à 32 788 Btu/het 0,49 g/h et 63% d'efficacité.

SPÉCIFICATIONS	
Largueur	21-1/2 po (546 mm)
Hauteur	28-1/2 po (724 mm) (avec pieds ou piédestal)
Profondeur	24 po (610 mm)
Poids	185 lbs. (83,9 kg)
Piédestal	40 lbs. (18,1 kg)
Pieds	13 lbs. (5,9 kg)
Taille de conduit de cheminée	3 po ou 4 po (7,5 ou 10 cm)
Capacité de trémie	Jusqu'à 20,4 kg (Cela peut beaucoup varier selon le calibre du granulé, sa longueur et son diamètre)
Durée de combustion	1 à 4,5 lbs. (0,45-2,05 kg) par heure
Installations approuvées	Maison mobile, alcôve, maison traditionnelle

AVERTISSEMENT:
IL EST CONTRAIRE À LA RÉGLEMENTATION FÉDÉRALE D'UTILISER CE POÊLE À BOIS D'UNE MANIÈRE INCOMPATIBLE AVEC LES INSTRUCTIONS D'UTILISATION DU MANUEL DU PROPRIÉTAIRE.



Remarque: enregistrez votre produit en ligne sur www.usstove.com ou téléchargez l'application gratuite des aujourd'hui. Cette application est disponible uniquement sur l'App Store pour iPhone et iPad. Recherchez US Stove. Conservez votre reçu avec vos dossiers pour toute réclamation.

Pour le service client, veuillez appeler: 1-800-750-2723 poste 5050 ou; Texte au 423-301-5624 ou; **Écrivez-nous à:** customerservice@usstove.com

Manuel d'instructions et d'utilisation du propriétaire



Numéro De Modèle:

5040



Numéro du rapport F21-687

Certifié à ASTM E1509-12 (2017),

ULC-S627-00-REV1



* Toutes les images de ce manuel sont à des fins d'illustration uniquement. Le produit réel peut varier.

Conservez ces instructions dans un endroit sûr pour référence ultérieure.



AVIS DE SÉCURITÉ: Si ce radiateur n'est pas correctement installé, un incendie peut en résulter. Pour votre sécurité, suivez les instructions d'installation. N'utilisez jamais de compromis de fortune lors de l'installation de ce radiateur. Contactez les responsables locaux du bâtiment ou des pompiers pour connaître les permis, les restrictions et les exigences d'installation dans votre région. **NE JAMAIS UTILISER CE PRODUIT SANS SURVEILLANCE.**



MISE EN GARDE! Veuillez lire l'intégralité de ce manuel avant d'installer ou d'utiliser votre nouveau radiateur. Le non-respect des instructions peut entraîner des dommages matériels, des blessures corporelles ou même la mort. Une installation incorrecte pourrait annuler votre garantie!

**AGENCE AMÉRICAINE DE PROTECTION
DE L'ENVIRONNEMENT**

Certifié conforme aux normes d'émissions
de particules 2020.

CE MANUEL EST SUJET À MODIFICATION SANS PRÉAVIS.

AVERTISSEMENT SUR LA PROPOSITION 65 DE LA CALIFORNIE:
Ce produit peut vous exposer à des produits chimiques, y compris le monoxyde de carbone, qui est connu dans l'État de Californie pour provoquer le cancer, des anomalies congénitales et / ou d'autres troubles de la reproduction. Pour plus d'informations, visitez www.P65warnings.ca.gov