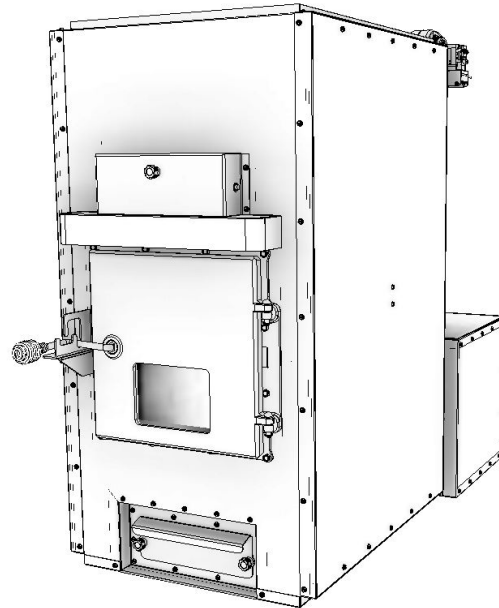


# Owner's Instruction and Operation Manual



Model Number:  
HB1520



## Wood Only Central Furnace

Certified to UL-391-2006 (R2019), Certified to: CSA B366.1-11 (R2020), and CSA B415.1:22

\* All Pictures In This Manual Are For Illustrative Purposes Only. Actual Product May Vary.

853966D- 0406M

Save These Instructions In A Safe Place For Future Reference.



**SAFETY NOTICE:** If this unit is not properly installed, a fire may result. For your safety, follow the installation instructions. Never use make-shift compromises during the installation of this unit. Contact local building or fire officials about permits, restrictions and installation requirements in your area.



**CAUTION!** Please read this entire manual before you install or use this unit. Failure to follow instructions may result in property damage, bodily injury, or even death. Improper Installation Will Void Your Warranty!

### U.S. Environmental Protection Agency

Certified to comply with 2020 particulate emission standards

### **⚠ CALIFORNIA PROPOSITION 65 WARNING:**

This product can expose you to chemicals including carbon monoxide, which is known to the State of California to cause cancer, birth defects, and/or other reproductive harm. For more information, go to [www.P65warnings.ca.gov](http://www.P65warnings.ca.gov)

THIS MANUAL IS SUBJECT TO CHANGE WITHOUT NOTICE.

This manual describes the installation and operation of the Hotblast, HB1520 wood furnace. This furnace meets the 2020 U.S. Environmental Protection Agency’s emission limits for wood furnaces. Under specific EPA test conditions this furnace has been shown to deliver heat at a rate of 15,997 – 53,042 BTU/hr. This furnace achieved a particulate emissions rate of 0.13 lb/mmBtu when tested to method CSA B415.1-10 (\*and an overall efficiency of 70%). The maximum overall heat output of this furnace was tested to be 65,258 Btu/hr.

Combustible:	Wood
Flue Pipe Diameter:	6” (153cm)
Flue Pipe Type: (Standard, Single Wall, or Double Wall):	Black or Blued Steel 2100°F (650°C) Class “A”
Minimum Chimney Height:	12 ft (3.65 m)
Maximum Log Length:	23” (585 mm)
Electrical:	120 Volts, 60 Hz, 6.0 Amps
Dimensions	
Assembled Height x Width x Depth:	45” (1143 mm) x 25-3/8” (645 mm) x 54-3/4” (1391 mm)
Combustion Chamber: Width x Depth:	13.75” (350 mm) x 24” (610 mm)
Volume: Cubic Feet:	3.95 Cu Ft.
Door Opening: Width x Height:	14” (356 mm) x 13.89” (353 mm)

### CAUTIONS:

- **HOT WHILE IN OPERATION. KEEP CHILDREN, CLOTHING AND FURNITURE AWAY. CONTACT MAY CAUSE SKIN BURNS.**
- **DO NOT USE CHEMICALS OR FLUIDS TO IGNITE THE FIRE.**
- **DO NOT LEAVE THE STOVE UNATTENDED WHEN THE DOOR IS SLIGHTLY OPENED.**
- **DO NOT BURN GARBAGE, FLAMMABLE FLUID SUCH AS GASOLINE, NAPHTHA OR MOTOR OIL.**
- **DO NOT CONNECT TO ANY AIR DISTRIBUTION DUCT OR SYSTEM.**
- **ALWAYS CLOSE THE DOOR AFTER THE IGNITION.**
- **YOUR CHIMNEY MUST BE INSPECTED PRIOR TO THE INSTALLATION OF YOUR NEW WOOD STOVE. IN ADDITION, YOU SHOULD HAVE YOUR CHIMNEY INSPECTED FOR CREOSOTE DEPOSTS MONTHLY DURING THE HEATING SEASON AND ANNUALLY INSPECTED AND CLEANED.**



**Note:** Register your product online at [www.usstove.com](http://www.usstove.com) or download the free app today. This app is available only on the App Store for iPhone and iPad. Search US Stove. Save your receipt with your records for any claims.

**For Customer Service, please call:**  
**1-800-750-2723 Ext 5050 or;**  
**Text to 423-301-5624 or;**  
**Email us at:**  
**customerservice@usstove.com**

# INSTALLATION CHECKLIST



Your Wood Stove should be installed by a qualified installer only. An NFI qualified Installer can be found at;  
[www.nficertified.org/public/find-an-nfi-pro/](http://www.nficertified.org/public/find-an-nfi-pro/)

## CUSTOMER SERVICE

1-800-750-2723 ext 5050  
Text to 423-301-5624  
Email to: [Customerservice@usstove.com](mailto:Customerservice@usstove.com)

## COMMISSIONING CHECKLIST

This checklist is to be completed in full by the qualified person who installs this unit. Keep this page for future reference. Failure to install and commission according to the manufacturer's instructions and complete this checklist will invalidate the warranty.

Please Print

Customer Name:	Telephone Number:
Address:	
Model:	
Serial Number:	
Installation Company Name:	Phone Number:
Installation Technician's Name:	License Number:

## DESCRIPTION OF WORK

Location of installed appliance: \_\_\_\_\_

Chimney System: New Chimney System  Yes  No If yes, Brand \_\_\_\_\_

If no, Date of inspection of the existing chimney system: \_\_\_\_\_

## COMMISSIONING

- Confirm Hearth Pad Installation as per Installation Instructions.....
- Confirm proper placement of internal parts.....
- Check soundness of door gasket and door seals .....
- Confirm clearances to combustibles as per installation instructions in this manual .....
- Check the operations of the air controls.....
- Confirm all flue pipe and chimney system are secure and sealed.....
- Confirm the stove properly drafts when fired.....
- Check to ensure a CO alarm is installed as per local building codes and is functional .....
- Explain the safe operation, proper fuel usage, cleaning and routine maintenance requirements.....

Declaration of Completion: As the qualified person responsible for the work described above, I confirm that the appliance as associated work has been installed as per manufacturer's instructions and following any applicable building and installation codes.

Signed: \_\_\_\_\_ Print Name: \_\_\_\_\_ Date: \_\_\_\_\_

**Home Owner: RETAIN THIS INFORMATION FOR FUTURE REFERENCE**

**FOR CUSTOMER SERVICE CALL: 800-750-2723 EXT 5050**

## TOOLS AND MATERIALS

The following is a list of tools and materials needed to install your furnace.

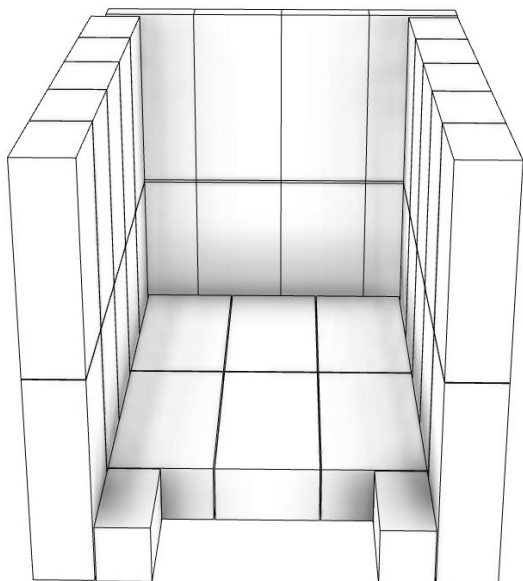
- Safety glasses and gloves
- Various Hand Tools for component assembly. (Power tools preferably)
- All Chimney and Chimney Connector materials required for your particular installation.
- Electrical wiring tools and supplies
- All materials needed for Ductwork Installation (Supply and return air) (Return Air Box is supplied with the unit)

## UNPACKING

1. Remove all packaging from the furnace.
2. Remove the supplied parts from the furnace.

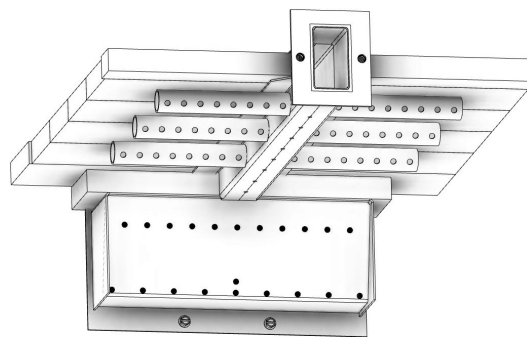
## FIREBRICK CONFIGURATION

Inspect for any damage. Ensure that the bricks and ash plug are positioned correctly and not broken (see illustration for proper brick arrangement). NOTE: The firebricks are silicone into place to prevent damage from shipping. Attempting to remove the firebricks before operation could result in damage.



## CERAMIC FIBER BOARD CONFIGURATION

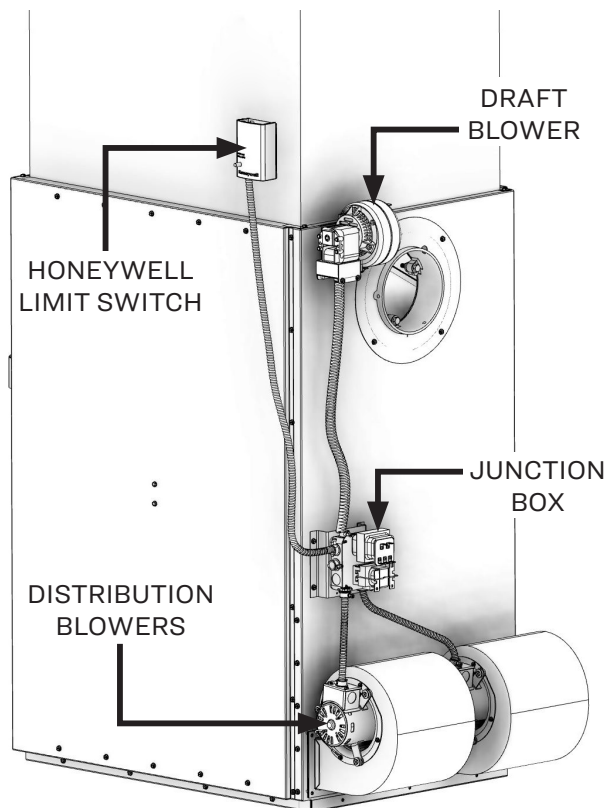
Inspect for any damage. Ensure the fiber board is positioned correctly and not broken (see illustration for proper fiber board arrangement). NOTE: The ceramic fiber boards are silicone into place to prevent damage from shipping. Attempting to remove the ceramic fiber board before operation could result in damage.



## ASSEMBLY OF FURNACE

Your furnace requires the following items to be assembled or installed by the service person:

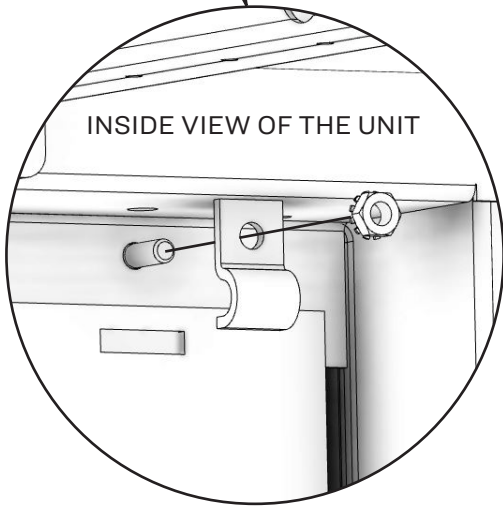
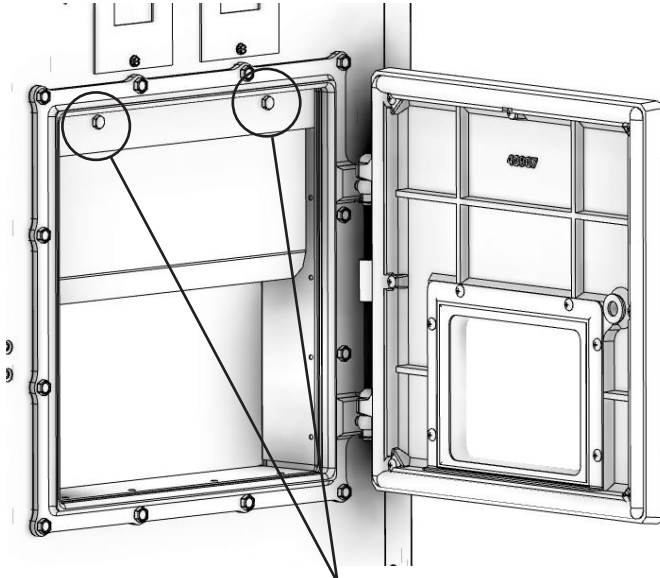
- Smoke Curtain
- Feed Door Handle & Latch
- Front Cover/Hood
- Distribution Blowers With Gaskets
- Junction Box Bracket
- Junction Box and Fan Center
- Draft Blower
- Honeywell Probe
- Filter Box
- Electrical Connections



## SMOKE CURTAIN

Using two (2) 1/4-20 x 1-1/4" Carriage bolts, two (2) smoke curtain clips, and two (2) nuts, attach the smoke curtain in place above the fuel feed door as shown. After installation, the smoke curtain should swing freely back into the furnace.

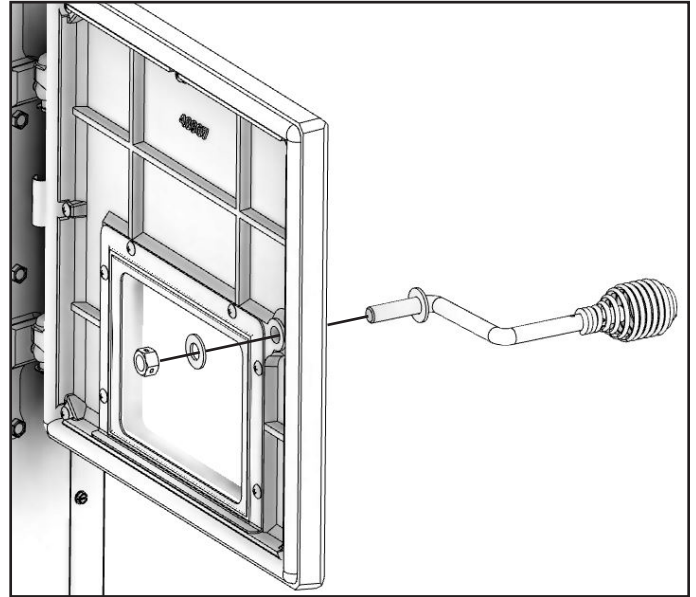
OUTSIDE VIEW OF THE UNIT



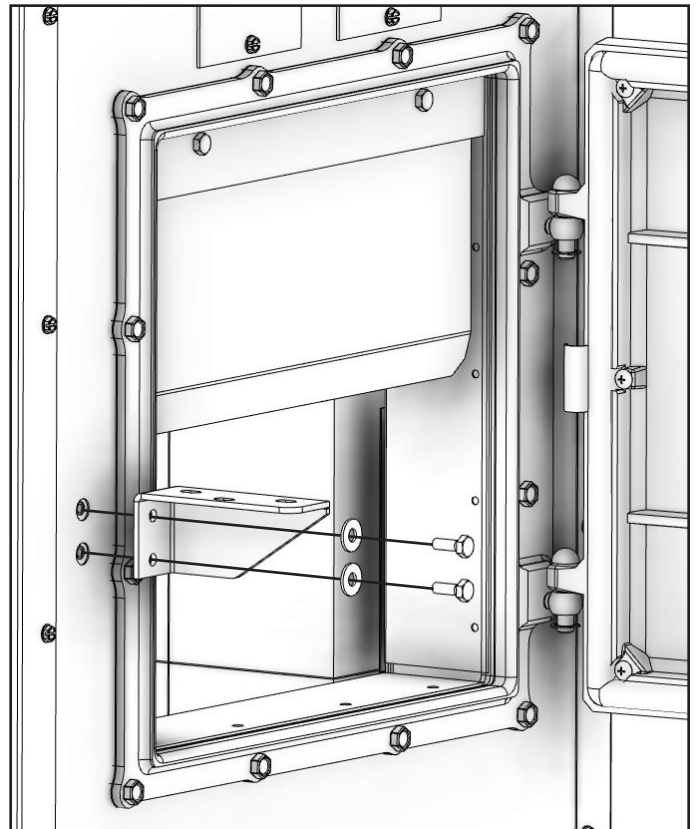
INSIDE VIEW OF THE UNIT

## FEED DOOR HANDLE & LATCH

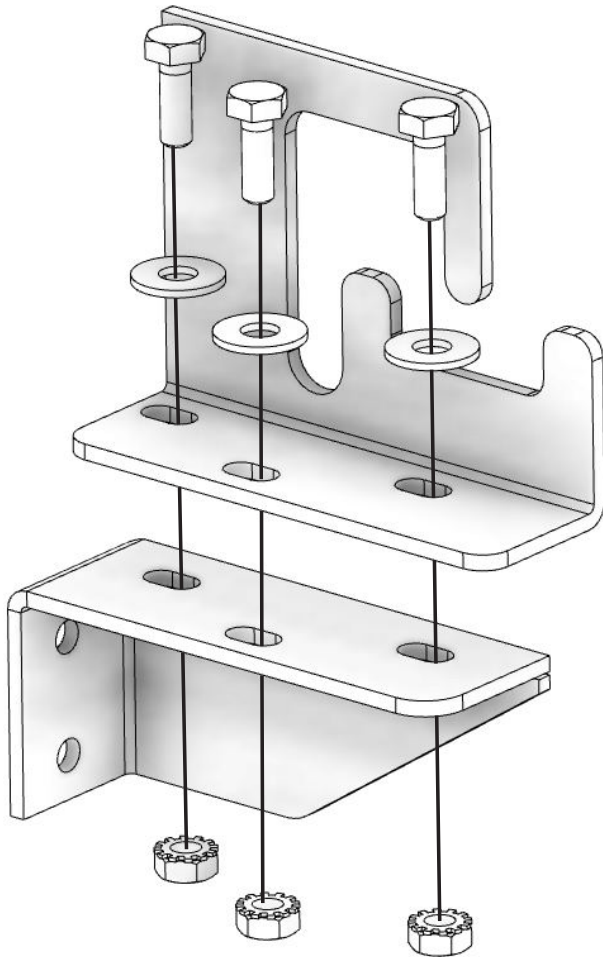
Use the included one (1) nut and one (1) washer to secure the handle to the stove as shown. Note: Adjust the handle as needed to ensure a proper seal.



Use two (2) 1/4-20 x 3/4 bolts and two (2) washers to secure the latch assembly to the unit.

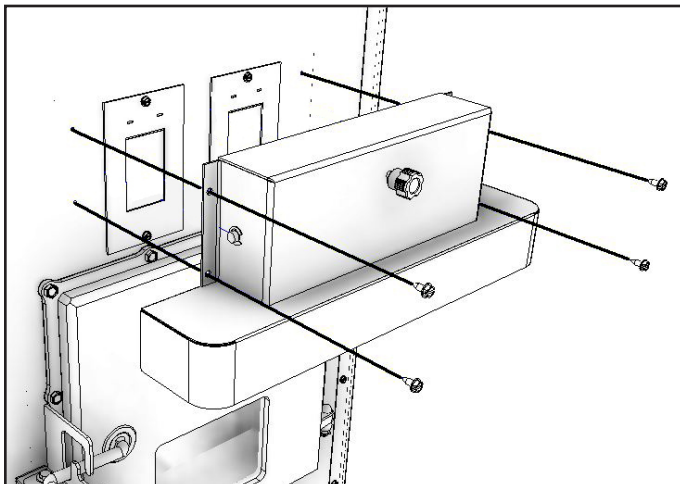


Use three (3) 1/4-20 x 3/4 bolts, three (3) washers, and three (3) 1/4-20 kep nuts to secure the latch top to the latch bottom.



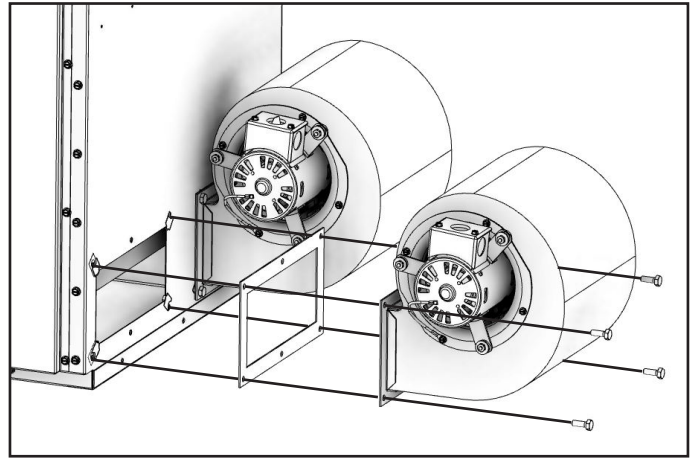
## FRONT COVER/HOOD

Use the four (4) provided #10A x 1/2 screws to secure the front cover hood to the unit as shown.



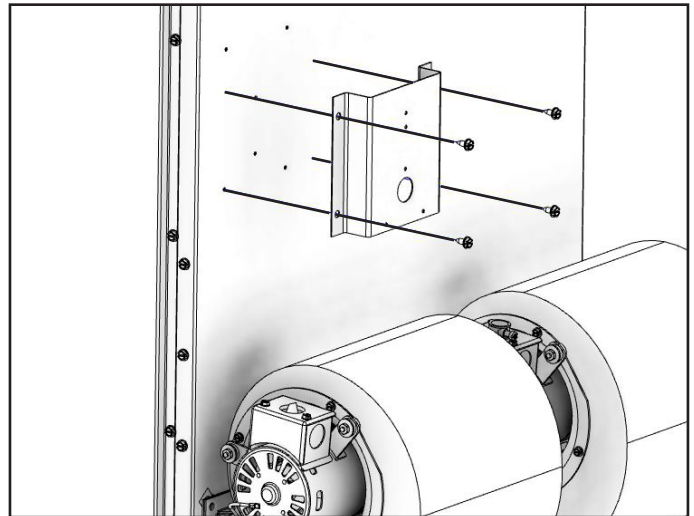
## DISTRIBUTION BLOWERS WITH GASKETS

Secure the two blowers and gaskets to the unit using the eight (8) provided 1/4-20 x 3/4 bolts.



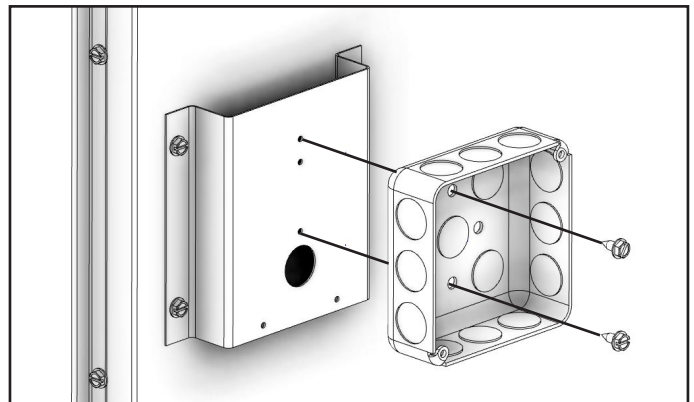
## JUNCTION BOX BRACKET

Secure the junction box bracket to the unit using the four (4) provided #10A x 1/2 screws.



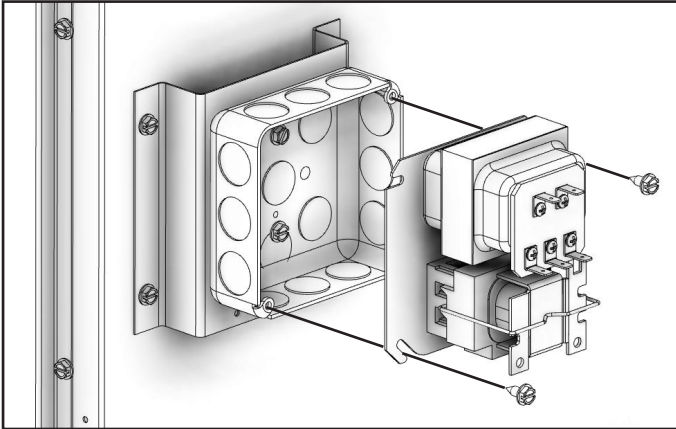
## JUNCTION BOX & FAN CENTER

Secure the junction box to the junction box bracket using the two (2) provided #10A x 1/2 screws as shown.



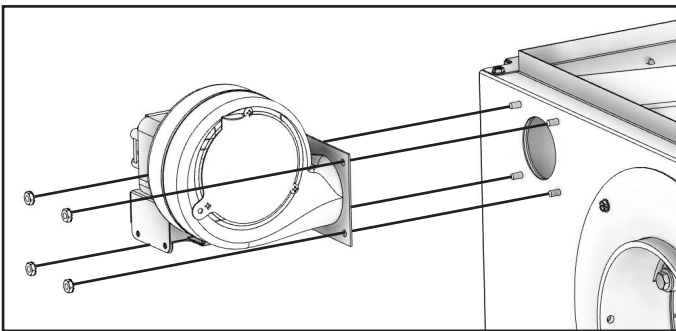
# ASSEMBLY INSTRUCTIONS

Secure the fan center to the junction box using the two (2) provided screws as shown.



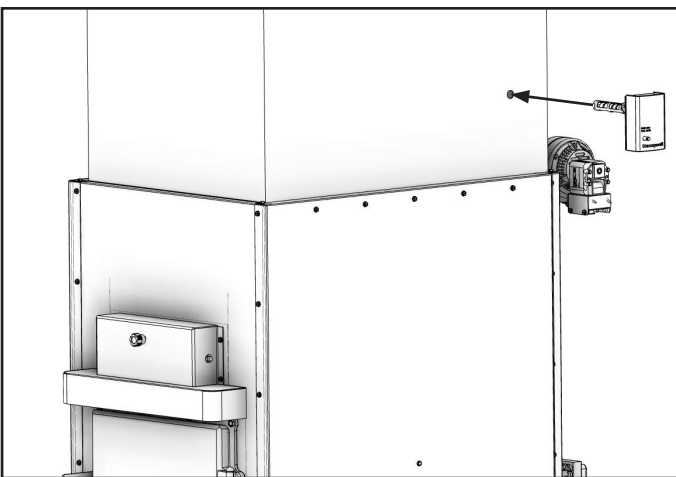
## DRAFT BLOWER

Secure the draft blower to the back upper left-hand side of the unit using the four (4) provided 10-24 kep nuts.



## HONEYWELL PROBE

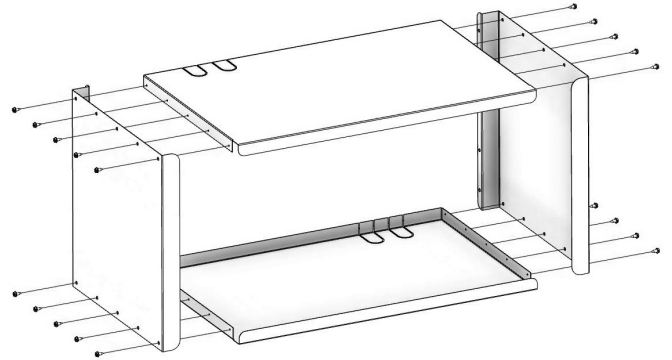
Install the Honeywell probe into the ductwork above the unit. NOTE: The conduit is supplied at a predetermined length of approximately 3 feet



## FILTER BOX

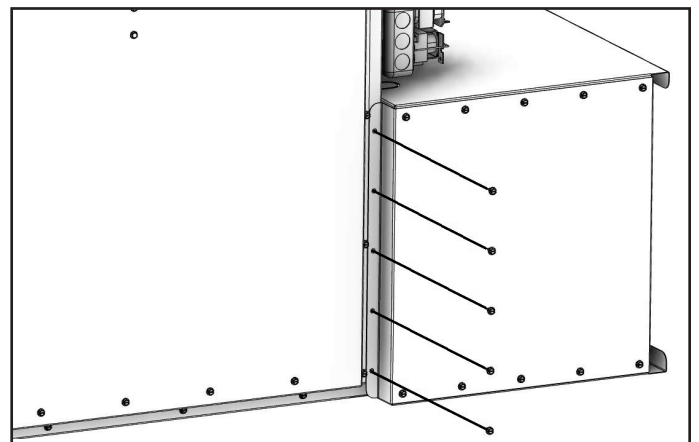
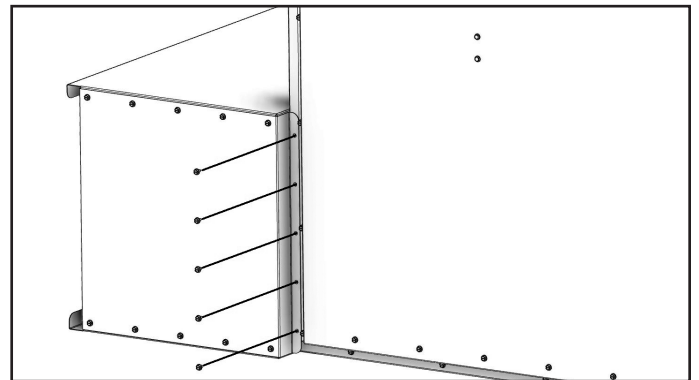
The filter box is made up of 4 parts, plus all hardware necessary for assembly.

Assemble the filter box sides, top, and bottom using twenty (20) #10 A x 1/2 HX screws.



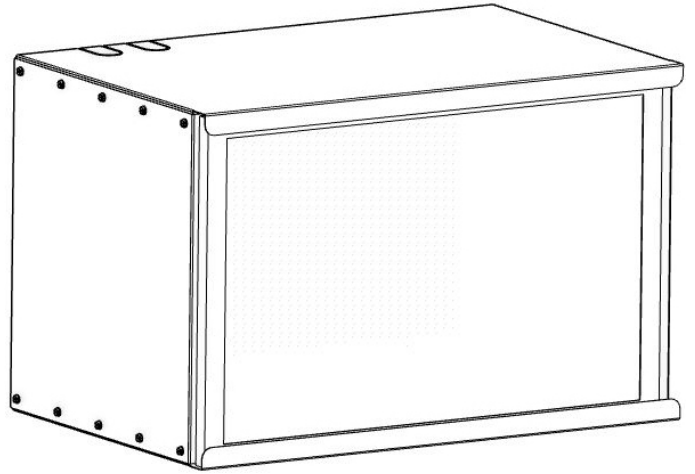
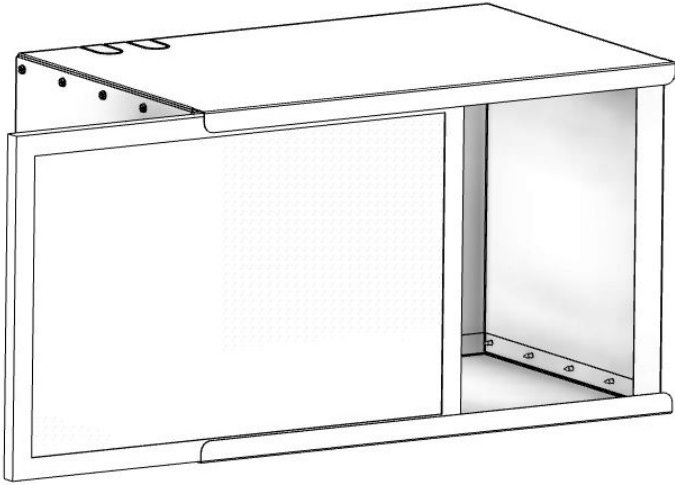
If your BX Cables will not match up to the previously matched arrangement on the top, carefully measure and custom notch to accommodate your particular arrangement of BX Cables. There are several different configurations.

Secure the filter box to the unit using a total of ten (10) #10 A x 1/2 HX screws, five (5) on each side.



## AIR FILTER REPLACEMENT

Insert one 16 x 24 x 1 air filter (not included).





## ATTENTION:

- **FAILURE TO FOLLOW THE INFORMATION IN THIS MANUAL WILL CAUSE A HAZARD THAT COULD RESULT IN DEATH, SERIOUS BODILY INJURY, AND/OR PROPERTY DAMAGE.**
- **CHECK YOUR LOCAL CODES. THE INSTALLATION MUST COMPLY WITH THEIR RULINGS.**
- **ALWAYS CONNECT THIS FURNACE TO A CHIMNEY AND VENT TO THE OUTSIDE. NEVER VENT TO ANOTHER ROOM OR INSIDE A BUILDING.**
- **DO NOT CONNECT THIS FURNACE TO AN ALUMINUM TYPE B GAS VENT. THIS IS NOT SAFE AND IS PROHIBITED BY THE NATIONAL FIRE PROTECTION ASSOCIATION CODE. THIS FURNACE REQUIRES A MASONRY OR LISTED FACTORY BUILT CHIMNEY FOR RESIDENTIAL TYPE OR BUILDING HEATING APPLIANCE CHIMNEY. USE A 6" DIAMETER CHIMNEY OR LARGER, THAT IS HIGH ENOUGH TO GIVE A GOOD DRAFT.**
- **INSPECT CHIMNEY CONNECTOR AND CHIMNEY BEFORE AND FREQUENTLY DURING THE HEATING SEASON FOR ANY DEPOSIT OF CREOSOTE OR SOOT WHICH MUST BE REMOVED.**
- **PROVIDE AIR FOR COMBUSTION INTO THE ROOM WHERE THE FURNACE IS LOCATED. IF THE INTAKE IS NOT IN THE SAME ROOM, AIR MUST HAVE FREE ACCESS TO THE ROOM.**
- **CAST IRON PARTS MUST BE "SEASONED" TO AVOID CRACKING, BUILD ONLY SMALL FIRES ON FIRST USE.**
- **TO PREVENT INJURY, DO NOT ALLOW ANYONE TO USE THIS FURNACE WHO IS UNFAMILIAR WITH THE CORRECT OPERATION OF THE FURNACE.**

## CAUTION

**GASES THAT ARE DRIVEN FROM FRESH WOOD MUST BE BURNED OR THEY WILL ACCUMULATE AND EXPLODE. NEVER SMOTHER A FIRE WHEN ADDING FRESH WOOD.**

## DANGER: RISK OF FIRE OR EXPLOSION.

**DO NOT BURN GARBAGE, GASOLINE, DRAIN OIL, OR OTHER FLAMMABLE LIQUIDS.**

## WARNING: FIRE HAZARD.

- **DO NOT OPERATE WITH FIRE DRAFT EXCEEDING 0.06" W.C.**
- **DO NOT STORE FUELS, PAINTS, THINNERS, FLAMMABLE LIQUIDS, OR OTHER HIGHLY VOLATILE SUBSTANCES IN THE FURNACE ROOM.**

## CAUTION!

**CLEANOUT OF THE COMBUSTION CHAMBER, FLUE PIPE, AND CHIMNEY IS ESPECIALLY IMPORTANT AT THE END OF THE HEATING SEASON TO MINIMIZE CORROSION DURING THE SUMMER MONTHS CAUSED BY MOISTURE ACCUMULATING IN LEFT-OVER ASH.**

## CAUTION!

**INSPECT FLUE PIPES, FLUE PIPE JOINTS AND FLUE PIPE SEALS REGULARLY TO ENSURE THAT SMOKE AND FLUE GASES ARE NOT DRAWN INTO, AND CIRCULATED BY, THE AIR CIRCULATION SYSTEM.**

## SAFETY NOTICE:

**IF THIS FURNACE IS NOT PROPERLY INSTALLED, A HOUSE FIRE MAY RESULT. FOR YOUR SAFETY, FOLLOW THE INSTALLATION DIRECTIONS. CONTACT LOCAL BUILDING OR FIRE OFFICIALS ABOUT RESTRICTIONS AND INSTALLATION INSPECTION REQUIREMENTS IN YOUR AREA. IF NOT ALREADY INSTALLED, WE RECOMMEND THAT SMOKE DETECTORS BE INSTALLED.**

## CAUTION:

**HOT SURFACES! KEEP CHILDREN AWAY. DO NOT TOUCH DURING OPERATION.**

**FOR CUSTOMER SERVICE CALL: 800-750-2723 EXT 5050**

We recommend that our woodburning hearth products be installed and serviced by professionals who are certified in the U.S. by the National Fireplace Institute® (NFI) as NFI Woodburning Specialists or who are certified in Canada by Wood Energy Technical Training (WETT).

**NATIONAL FIREPLACE INSTITUTE**  
**NFI**  
**CERTIFIED**  
[www.nficertified.org](http://www.nficertified.org)

**Wood Energy Technical Training**  
[www.wettinc.ca](http://www.wettinc.ca)

US Stove highly recommends your stove be installed by a qualified NFI (US) or WETT (Canada) technician. To find the nearest qualified installer, go to:

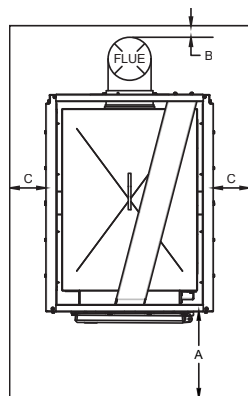
<https://nficertified.org>,

<https://www.wettinc.ca/>

## FLOOR PROTECTOR

The furnace must be placed on solid concrete, solid masonry, or when installed on a combustible floor, on a floor protector. The floor protector is required to provide heat, live ember, and ash protection and must be of a non-combustible, continuous solid surface to protect against infiltration of live embers and ash. Floor protection must have an R-Value of at least 1.4. Refer to floor protector manufacturer's instructions for installation directions. The floor protector or non-combustible floor must extend under the furnace and beyond each side as shown below.

Dimension		Inch	mm
A	Front	24	609.6
B	Flue Rear	2	50.8
C	Side	8	203.2

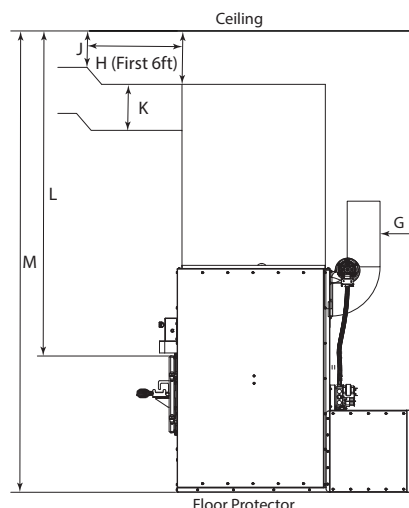
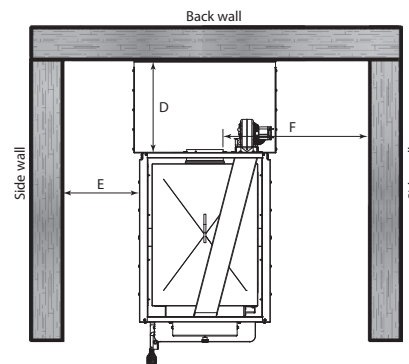


## CLEARANCES TO COMBUSTIBLES

The installation of this furnace includes supplying electrical power, return air ductwork, and supply air ductwork. This furnace may be installed as a stand alone

wood furnace only. See installation section in this manual to ensure proper assembly, installation and operation of your new furnace. If installing in an area with a fan it should not be allowed to create negative pressure in the room where the furnace is installed. When locating your furnace ensure the required maintenance clearances are maintained. Your furnace must be installed as shown in this manual and in compliance with all local and national codes. It is of the utmost importance that the clearances to combustible materials be strictly adhered to during installation of the furnace. Refer to the table and diagrams below for minimum required clearances.

Dimension		Inch	mm
D	Backwall To Furnace	26	661
E	Sidewall To Furnace	16	407
F	Sidewall To Flue	25	635
G	Backwall To Flue	18	458
H	Supply Duct (first 6 feet)	6	153
J	Supply Duct (after first 6 feet)	2	51
K	Minimum Duct Height	8	204
L	Top Of Door To Ceiling	48	1220
M	Minimum Ceiling Height	75	1905



## DUCT WORK

We strongly recommend that the hot air ductwork be installed by a home heating specialist. If doing the installation yourself, consult a qualified heating technician and follow his recommendations as to the safest and most efficient method of installation.

## SUPPLY AIR

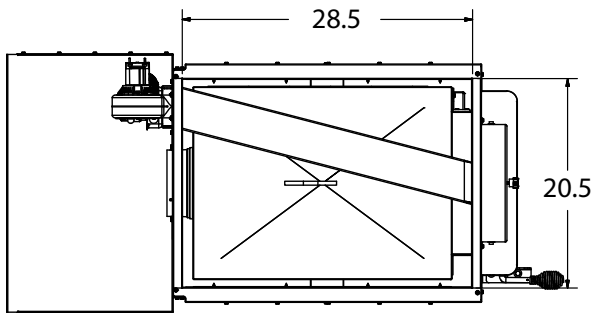
The supply air duct shall be constructed of metal in accordance with NFPA 90B, 2-1.1. The plenums installed to the furnace shall be constructed of metal in accordance with NFPA 90B, 2-1.3. When installing this furnace the supply air plenum is to have a minimum height of 24" (610mm) if the top of the first vertical section is not flush with the top of the first horizontal section of ductwork. If the top of the plenum is flush with the top of the first horizontal section of ductwork then the minimum height is 15" (381mm).

## RETURN AIR

The return air intake on the furnace is on the rear of the unit. The ductwork must be mechanically attached to the unit or blower box with sheet metal screws to ensure a proper operation.

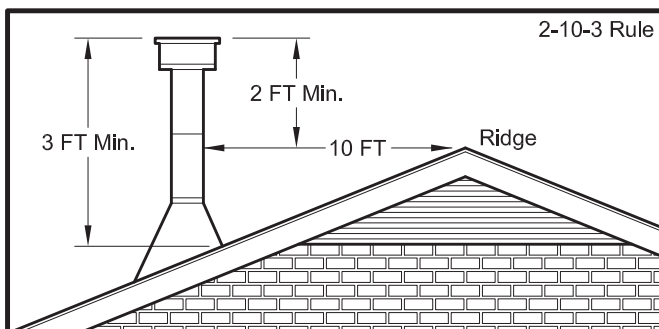
## STAND ALONE INSTALLATION

When installing this stand alone furnace, ensure all local codes and all instructions in this manual are followed, including clearance to combustibles, floor protector specifications and safety warnings.



Supply Air Duct Work Outlet Size

## LISTED FACTORY BUILT CHIMNEY



Your wood furnace may be hooked up with a factory built or masonry chimney, matching the diameter of the exhaust. If you are using a factory built chimney, it must comply with UL 103 or CSA-B365 standard; therefore it must be a Type HT (2100°F). It is extremely important that it be installed according to the manufacturer's specifications.

If you are using a masonry chimney, it is important that it be built in compliance with the specifications of the National Building Code. It must be lined with fire clay bricks, metal or clay tiles sealed together with fire cement. (Round flues are the most efficient).

The interior diameter of the chimney flue must be identical to the furnace smoke exhaust. A flue which is too small may cause draft problems, while a large flue favors rapid cooling of the gas, and hence the build-up of creosote and the risk of chimney fires. Note that it is the chimney and not the furnace which creates the draft effect; your furnace's performance is directly dependent on an adequate draft from your chimney.

Do not connect this unit to a chimney flue serving another appliance.

The following recommendations may be useful for the installation of your chimney:

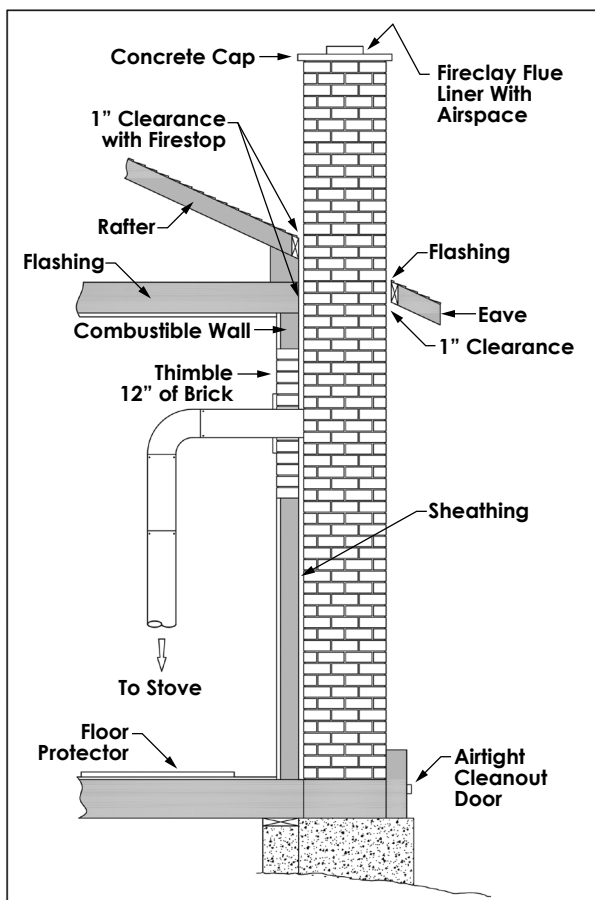
- It must rise above the roof at least 3' (0.9m) from the uppermost point of contact.
- The exterior portion should be double or triple wall pipe to ensure proper draft.
- The chimney must exceed any part of the building or other obstruction within a 10' (3.04m) distance by a height of 2' (0.6m).
- Installation of an interior chimney is always preferable to an exterior chimney. The interior chimney will be hotter than an exterior chimney that is being cooled by the ambient air outside the house. Therefore the gas which circulates will cool slower, thus reducing the build-up of creosote and the risk of chimney fires.
- The draft caused by the tendency for hot air to rise will be increased with an interior chimney.
- Using a fire screen at the extremity of the chimney requires regular inspection in order to ensure that it is not obstructed thus blocking the draft, and it should be cleaned when used regularly.

## IMPORTANCE OF PROPER DRAFT

Draft is the force which moves air from the appliance up through the chimney. The amount of draft in your chimney depends on the length of the chimney, local geography, nearby obstructions and other factors. Too

much draft may cause excessive temperatures in the appliance. Inadequate draft may cause back puffing into the room and ‘plugging’ of the chimney. Inadequate draft will cause the appliance to leak smoke into the room through appliance and chimney connector joints. An uncontrollable burn or excessive temperature indicates excessive draft. Do not operate with the flue draft exceeding .06 water column/14.93 Pascals. The draft can be checked with a draft gauge or manometer. Take into account the chimney’s location to ensure it is not too close to neighbors or in a valley which may cause unhealthy or nuisance conditions.

## MASONRY CHIMNEY



**CAUTION:**

**BE SURE THAT IF A MASONRY CHIMNEY IS USED, IT IS SAFELY CONSTRUCTED AND IN GOOD REPAIR. HAVE THE CHIMNEY INSPECTED BY THE FIRE DEPARTMENT OR AN INSPECTOR.**

Ensure that a masonry chimney meets the minimum standards of the National Fire Protection Association (NFPA) by having it inspected by a professional. Make sure there are no cracks, loose mortar or other signs of deterioration and blockage. Have the chimney cleaned

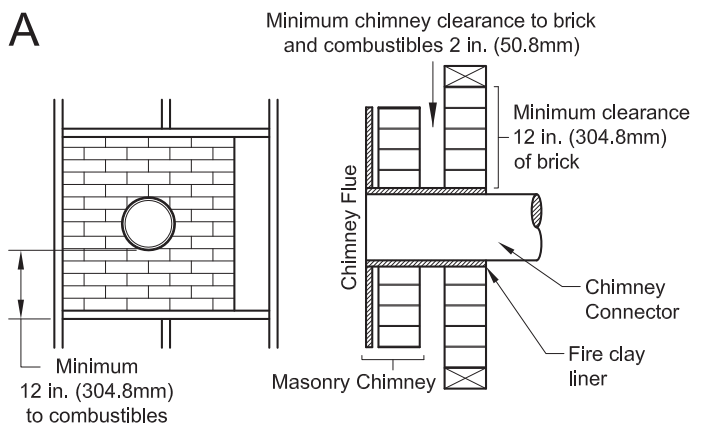
before the furnace is installed and operated. When connecting the furnace through a combustible wall to a masonry chimney, special methods are needed as explained in the “Combustible Wall Chimney Connector Pass-Throughs” Section.

**WARNING:**

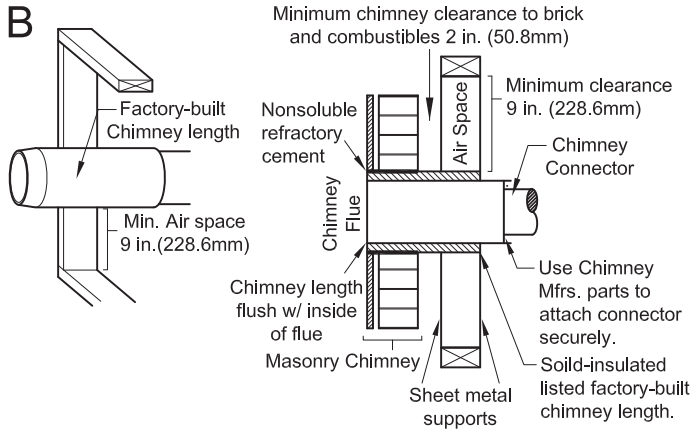
**DO NOT CONNECT THIS FURNACE TO A CHIMNEY FLUE SERVING ANOTHER APPLIANCE.**

## COMBUSTIBLE WALL CHIMNEY CONNECTOR PASS-THROUGHS

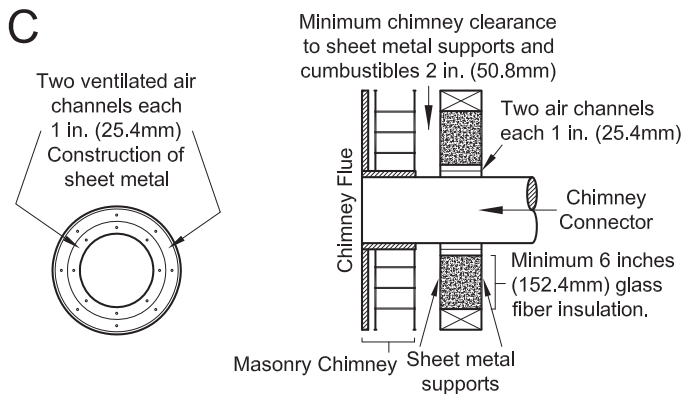
**METHOD A - 12” (304.8 mm) Clearance to Combustible Wall Member:** Using a minimum thickness 3.5” (89 mm) brick and a 5/8” (15.9 mm) minimum wall thickness clay liner, construct a wall pass-through. The clay liner must conform to ASTM C315 (Standard Specification for Clay Fire Linings) or its equivalent. Keep a minimum of 12” (304.8 mm) of brick masonry between the clay liner and wall combustibles. The clay liner shall run from the brick masonry outer surface to the inner surface of the chimney flue liner but not past the inner surface. Firmly grout or cement the clay liner in place to the chimney flue liner.



**METHOD B - 9” (228.6 mm) Clearance to Combustible Wall Member:** Using a 6” (152.4 mm) inside diameter, listed, factory-built Solid-Pak chimney section with insulation of 1” (25.4 mm) or more, build a wall pass-through with a minimum 9” (228.6 mm) air space between the outer wall of the chimney length and wall combustibles. Use sheet metal supports fastened securely to wall surfaces on all sides, to maintain the 9” (228.6 mm) air space. When fastening supports to chimney length, do not penetrate the chimney liner (the inside wall of the Solid-Pak chimney). The inner end of the Solid-Pak chimney section shall be flush with the inside of the masonry chimney flue, and sealed with a non-water soluble refractory cement. Use this cement to also seal to the brick masonry penetration.

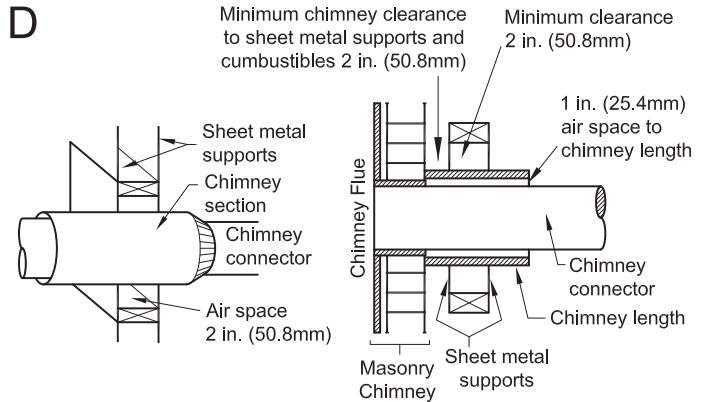


**METHOD C - 6" (152.4 mm) Clearance to Combustible Wall Member:** Starting with a minimum 24 gage (.024" [.61 mm]) 6" (152.4 mm) metal chimney connector, and a minimum 24 gage ventilated wall thimble which has two air channels of 1" (25.4 mm) each, construct a wall pass-through. There shall be a minimum 6" (152.4 mm) separation area containing fiberglass insulation, from the outer surface of the wall thimble to wall combustibles. Support the wall thimble, and cover its opening with a 24-gage minimum sheet metal support. Maintain the 6" (152.4 mm) space. There should also be a support sized to fit and hold the metal chimney connector. See that the supports are fastened securely to wall surfaces on all sides. Make sure fasteners used to secure the metal chimney connector do not penetrate chimney flue liner.



**METHOD D - 2" (50.8 mm) Clearance to Combustible Wall Member:** Start with a solid-pak listed factory built chimney section at least 12" (304 mm) long, with insulation of 1" (25.4 mm) or more, and an inside diameter of 8" (2 inches [51 mm] larger than the 6" [152.4 mm] chimney connector). Use this as a pass-through for a minimum 24-gauge single wall steel chimney connector. Keep solid-pak section concentric with and spaced 1" (25.4 mm) off the chimney connector by way of sheet metal support plates at both ends of chimney section. Cover opening with and support chimney section on both sides with 24 gage minimum sheet metal supports. See

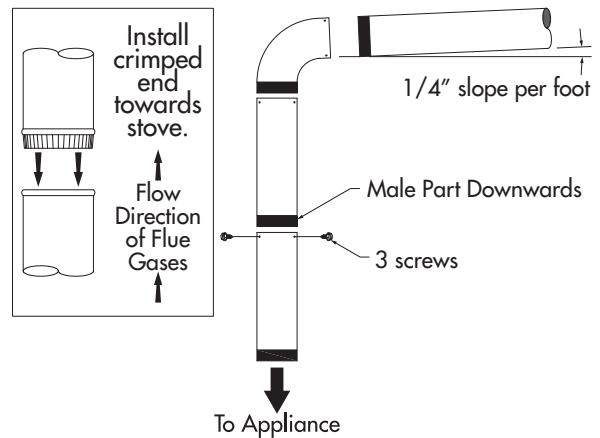
that the supports are fastened securely to wall surfaces on all sides. Make sure fasteners used to secure chimney flue line do not penetrate the inner liner.



**NOTES:**

- Connectors to a masonry chimney, excepting method B, shall extend in one continuous section through the wall pass-through system and the chimney wall, to but not past the inner flue liner face.
- A chimney connector shall not pass through an attic or roof space, closet or similar concealed space, or a floor, or ceiling.

**CHIMNEY CONNECTOR**



Your chimney connector and chimney must have the same diameter as the furnace outlet. If this is not the case, we recommend you contact your dealer in order to ensure there will be no problem with the draft.

The furnace pipe must be made of aluminized or cold roll steel with a minimum thickness of 0.021" or 0.53 mm. It is strictly forbidden to use galvanized steel.

Your connector should be assembled in such a way that the male section (crimped end) of the pipe faces down. Attach each of the sections to one another with three equidistant metal screws. Seal the joints with furnace cement.

The pipe must be short and straight. All sections installed horizontally must slope at least 1/4 inch per foot, with the upper end of the section toward the chimney. Any installation with a horizontal run of furnace pipe must conform to NFPA 211. You may contact NFPA (National Fire Protection Association) and request the latest edition of the NFPA Standard 211.

To ensure a good draft, the total length of the furnace pipe should never exceed 8' to 10' (2.4m to 3.04 m). (Except for cases of vertical installation, cathedral-roof style where the smoke exhaust system can be much longer and connected without problem to the chimney at the ceiling of the room).

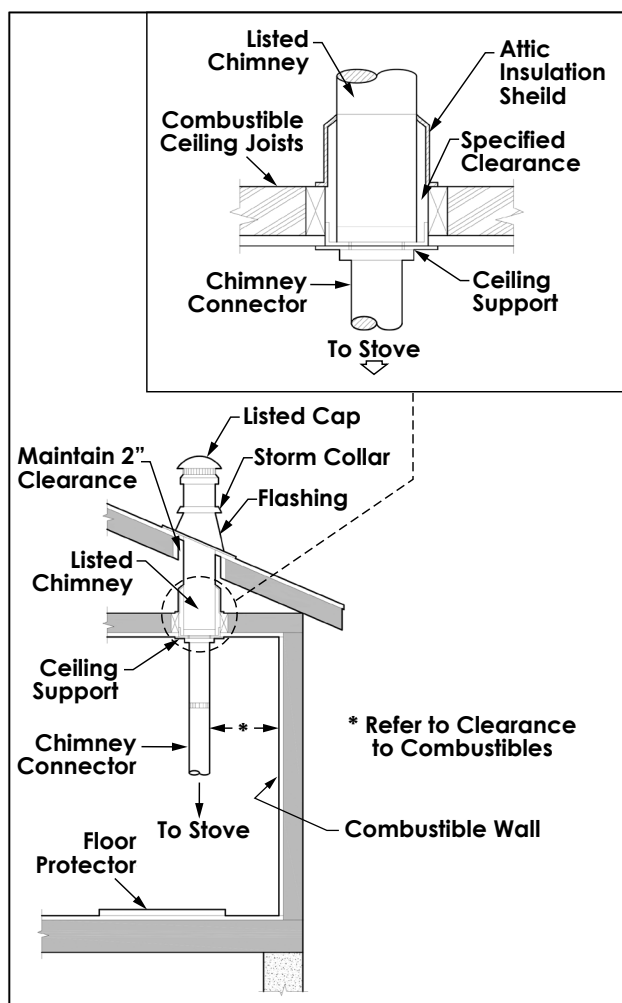
There should never be more than two 90 degrees elbows in the smoke exhaust system.

Installation of a "barometric draft stabilizer" (fireplace register) on a smoke exhaust system is prohibited.

Do not use with a flue damper. With a controlled combustion wood furnaces the draft is regulated upon intake of the combustion air in the furnace and not at the exhaust.

## FACTORY BUILT CHIMNEY

When a metal prefabricated chimney is used, the manufacturer's installation instructions must be followed. You must also purchase (from the same manufacturer) and install the ceiling support package or wall pass-through and "T" section package, firestops (where needed), insulation shield, roof flashing, chimney cap, etc. Maintain proper clearance to the structure as recommended by the manufacturer. The chimney must be the required height above the roof or other obstructions for safety and proper draft operation.



## NEVER OPERATE THIS PRODUCT WHILE UNATTENDED

### CAUTIONS: HOUSE FIRE HAZARDS

- **DO NOT STORE WOOD ON FLOOR PROTECTOR, UNDERNEATH STOVEPIPE(S) OR ANYWHERE WITHIN CLEARANCES TO COMBUSTIBLE SURFACES SPECIFIED FOR THIS APPLIANCE.**
- **NEVER OPERATE WITH SECONDARY TUBES, FIBERBOARD, OR INSULATION REMOVED.**

### OPERATING SAFETY PRECAUTIONS

- **NEVER OVERFIRE THIS APPLIANCE BY BUILDING EXCESSIVELY HOT FIRES AS A HOUSE/BUILDING FIRE MAY RESULT. YOU ARE OVERFIRING THE APPLIANCE IF IT BEGINS TO GLOW OR TURN RED.**
- **NEVER BUILD EXCESSIVELY LARGE FIRES IN THIS TYPE OF APPLIANCE AS DAMAGE TO THE FIREBOX OR SMOKE LEAKAGE MAY RESULT.**
- **DO NOT BUILD FIRE TOO CLOSE TO THE GLASS.**
- **HOT WHILE IN OPERATION. KEEP CHILDREN, CLOTHING, AND FURNITURE AWAY. CONTACT MAY CAUSE SKIN BURNS. DO NOT TOUCH THE APPLIANCE UNTIL IT HAS COOLED.**
- **PROVIDE ADEQUATE AIR FOR COMBUSTION TO THE ROOM WHERE THE APPLIANCE IS INSTALLED.**
- **INSPECT CHIMNEY LINER EVERY 60 DAYS. REPLACE LINER IMMEDIATELY IF IT IS RUSTING OR LEAKING SMOKE INTO THE ROOM.**
- **ATTEMPTS TO ACHIEVE HEAT OUTPUT RATES THAT EXCEED FURNACE DESIGN SPECIFICATIONS CAN RESULT IN PERMANENT DAMAGE TO THE FURNACE.**

### WARNING: EXPLOSION HAZARD

- **NEVER USE CHEMICALS, GASOLINE, GASOLINE-TYPE LANTERN FUEL, KEROSENE, CHARCOAL LIGHTER FLUID, OR SIMILAR FLAMMABLE LIQUIDS TO START OR "FRESHEN UP" A FIRE IN THE APPLIANCE.**
- **KEEP ALL FLAMMABLE LIQUIDS, ESPECIALLY GASOLINE, OUT OF THE VICINITY OF THE APPLIANCE - WHETHER IN USE OR IN STORAGE.**

Your heating appliance was designed to burn well seasoned natural wood only; no other materials should be burned. Any type of well seasoned natural wood

may be used in your stove, but specific varieties have better energy yields than others. Higher efficiencies and lower emissions generally result when burning air dried seasoned hardwoods, as compared to softwoods or too green or freshly cut hardwoods. The following resources can assist in learning the burn characteristics of various species of wood:

<http://firewoodresource.com/firewood-btu-ratings/>; or <https://forestry.usu.edu/forest-products/wood-heating>

The operation of this wood furnace in a manner inconsistent with the owner's manual will void your warranty and is also against federal regulations. Waste and other flammable materials should not be burned in your stove. DO NOT BURN:

1. Garbage;
2. Lawn clippings or yard waste;
3. Materials containing rubber, including tires;
4. Materials containing plastic;
5. Waste petroleum products, paints or paint thinners, or asphalt products;
6. Materials containing asbestos;
7. Construction or demolition debris;
8. Railroad ties or pressure-treated wood;
9. Manure or animal remains;
10. Saltwater driftwood or other previously salt water-saturated materials;
11. Unseasoned wood; or
12. Paper products, cardboard, plywood, or particleboard. The prohibition against burning these materials does not prohibit the use of fire starters made from paper, cardboard, sawdust, wax, and similar substances to start a fire in an affected wood furnace.

Burning these materials may result in the release of toxic fumes or render the furnace ineffective and cause smoke. Deadwood lying on the forest floor should be considered wet and requires full seasoning time. Standing deadwood can usually be considered to be about 2/3 seasoned. Smaller pieces of wood will dry faster. All logs exceeding 6" in diameter should be split. The wood should not be stored directly on the ground. Air should circulate through the logs. A 24" to 48" air space should be left between each row of logs, which should be placed in the sunniest location possible. The upper layer of wood should be protected from the element but not the sides. A good indicator of if the wood is ready to burn is to check the

piece ends. If cracks are radiating in all directions from the center then the wood should be dry enough to burn. If your wood sizzles in the fire, even though the surface is dry, it may not be fully cured and should be seasoned longer. It is **EXTREMELY IMPORTANT** that you use **DRY WOOD** only in your wood stove. The wood should have dried for 9 to 15 months, such that the humidity content (in weight) is reduced below 20% of the weight of the log. It is very important to keep in mind that even if the wood has been cut for one, two, or even more years, it is not necessarily dry, if it has been stored in poor conditions. Under extreme conditions, it may rot instead of drying. This point cannot be overstressed; the vast majority of the problems related to the operation of a wood stove is caused by the fact that the wood used was too damp or had dried in poor conditions. These problems can be:

- ignition problems
- creosote build-up causing chimney fires
- low energy yield
- blackened windows
- incomplete log combustion

**Do not burn manufactured logs made of wax impregnated sawdust or logs with any chemical additives.**

## TESTING YOUR WOOD

- When the furnace is thoroughly warmed, place one piece of split wood (about five inches in diameter) parallel to the door on the bed of red embers.
- Adjust all air controls to their maximum settings and close the door. If ignition of the piece is accomplished within 90 seconds from the time it was placed in the furnace, your wood is correctly dried. If ignition takes longer, your wood is damp.

If your wood hisses and water or vapor escapes at the ends of the piece, your wood is soaked or freshly cut (green). Do not use this wood in your stove. Large amounts of creosote could be deposited in your chimney, creating potential conditions for a chimney fire.

## POWER FAILURE

DO NOT add additional fuel after a power failure, remove all air filters and reduce combustion air to a minimum. Observe furnace closely until power is restored.

## TAMPER WARNING

This wood furnace has a manufacturer-set minimum low burn rate that must not be altered. It is against federal regulations to alter this setting or otherwise operate this

wood furnace in a manner inconsistent with operating instructions in this manual.

## EFFICIENCIES

Efficiencies can be based on either the lower heating value (LHV) or the higher heating value (HHV) of the fuel. The lower heating value is when water leaves the combustion process as a vapor, in the case of woodstoves the moisture in the wood being burned leaves the stove as a vapor. The higher heating value is when water leaves the combustion process completely condensed. In the case of woodstoves this would assume the exhaust gases are room temperature when leaving the system, and therefore calculations using this heating value consider the heat going up the chimney as lost energy. Therefore, efficiency calculated using the lower heating value of wood will be higher than efficiency calculated using the higher heating value. The best way to achieve optimum efficiencies is to learn the burn characteristic of your appliance and burn well-seasoned wood. Higher burn rates are not always the best heating burn rates; after a good fire is established a lower burn rate may be a better option for efficient heating. A lower burn rate slows the flow of usable heat out of the home through the chimney, and it also consumes less wood.

## NOTICE - INITIAL BURNS TO CURE PAINT

BECAUSE OF THE HIGH OPERATING TEMPERATURES, THIS APPLIANCE IS COATED WITH A SPECIAL HIGH TEMP PAINT WHICH REQUIRES A SERIES OF LOW TO MEDIUM BURNS TO FULLY CURE FOR DURABILITY AND A LIFETIME OF SERVICE.

Proper curing of the high-temp paint requires a series of three initial burns. The appliance should be allowed to cool off between each burn. The first two burns should be small fires and low temperatures (250°F) for a duration of 20 minutes each. The third fire should be at a temperature of approximately 500°F for 20 minutes. Provide adequate cross ventilation to clear any smoke or odor caused by initial firings.

**Notice: Use solid wood fuel only! Do not burn garbage, or flammable fluids. Do not use coal. This appliance is not designed to accommodate the air flow (draft) required to properly burn coal or coal products. Do not elevate the fire using grates or irons. Build the fire directly on the firebrick.**

## FUELING INSTRUCTIONS

To ensure this unit produces the optimal minimum emissions it is critical that only well-seasoned cordwood is burned. Burning unseasoned wet wood only hurts



your stoves efficiency and leads to accelerated creosote buildup in your chimney. Be considerate of the environment and only burn dry wood.

<b>CAUTION:</b>
<b>DO NOT LEAVE APPLIANCE UNATTENDED WITH THE DOOR OPEN.</b>

<b>WARNINGS:</b>
<ul style="list-style-type: none"><li>• <b>NEVER OVERFIRE YOUR STOVE. IF ANY PART OF THE STOVE STARTS TO GLOW RED, OVER FIRING IS HAPPENING. READJUST THE AIR INTAKE CONTROL AT A LOWER SETTING.</b></li><li>• <b>THE INSTALLATION OF A LOG CRADLE OR GRATES IS NOT RECOMMENDED IN YOUR WOOD STOVE. BUILD FIRE DIRECTLY ON FIREBRICK.</b></li><li>• <b>NEVER PUT WOOD ABOVE THE FIREBRICK LINING OF THE FIREBOX.</b></li><li>• <b>ATTEMPTS TO ACHIEVE HEAT OUTPUT RATES THAT EXCEED FURNACE DESIGN SPECIFICATIONS CAN RESULT IN PERMANENT DAMAGE TO THE FURNACE.</b></li></ul>

## GENERAL FURNACE OPERATION

### Honeywell Limit Control

This device, mounted in the ductwork, just above the air discharge atop the furnace, works in conjunction with a wall thermostat, operating the distribution blowers and the combustion fan on the rear of the furnace. The factory settings are 100/150/200. The wall thermostat setting operates the ON time of the combustion fan. If the temperature is below the setting on the wall thermostat, the combustion fan will come ON. (Recommended setting at 5 to 10 degrees higher than other heating thermostats.) The first two set points on the limit control operates the distribution blowers. When the furnace plenum temperature reaches the second set point on the limit control, the distribution blowers will come on. If the temperature falls to the first set point, the distribution blower will shut-off. When the furnace reaches the third set point on the limit control, the combustion fan will shut-off. Once the temperature falls below that set point and the wall thermostat is still calling for heat, the combustion fan will turn back ON. The 200° is a Factory Preset Limit for the combustion fan and should never be changed. Doing so could result in excessive firebox temperatures and could permanently damage your firebox.

## FURNACE LOADING PROCEDURE

### Starting your Furnace

- When lighting the furnace, the wall thermostat should be set to its MAX setting so that the combustion fan is ON. Start the fire with approximately 12 lbs. of kindling, which will be several small strips of wood, 1-1/2 to 2-1/2 inches wide, approximately 12 to 15 inches deep in the bottom of the firebox. Leave the fuel loading door slightly open to ensure good ignition of the kindling. Make sure the combustion fan is ON and its damper is closed, then pull the knob/loop on the front of the unit to prop open the barometric dampers.
- Once the kindling is fully ignited, add another 12 to 15 lbs. of kindling, which will be around the same amount as the initial load.
- Leave the door slightly open for three to five minutes (3-5 min) to ensure full ignition of the second kindling load.
- After the second load of kindling is fully ignited, you can close the door and push the knob/loop on the front of the unit back in to allow the barometric dampers to function freely. After 15 minutes, fully open the damper on the combustion fan.
- Once the kindling burns down to about 8 lbs., which should be to the point that the kindling will break up into a full bed of coals, the preload can be added into the firebox. The preload should consist of around 40 pounds of properly seasoned cord wood, which should be about 6 to 8 pieces of wood.
- After loading the preload, close the door, and make certain the combustion fan is ON.
- Allow about one hour (1hr) for the preload to burn down to around 10-12 lbs. or when all the preload wood will break up into coals. You should now have a coal bed that is several inches deep in the bottom of the firebox.
- The purpose of the preload burn is to establish a proper coal bed prior to inserting the main load of wood. Having a proper coal bed is the key to a complete ignition of the main wood load and to maintain the correct firebox temperatures to get the best emissions and efficiency output of the furnace.
- After you have completed the preload burn, you may insert your main firewood load.
- The main load should be the same size or amount as the preload, approximately 40 pounds of cord wood, 6 to 8 pieces.
- Try to keep gaps between the pieces of wood to help with the ignition and maintain a good fire.

## MAIN FIREWOOD LOAD

- Ensure that the combustion fan is ON, and open the feed door to insert the main firewood load.
- After loading, leave the feed door slightly open for five minutes (5 min) to ensure proper ignition, then close the door.
- The damper on the combustion fan should be open.
- Depending on the temperature at which the wall thermostat is set, this will determine the burn duration of the main load. A lower setting on the thermostat should result in a longer burn time as this would allow the combustion fan to remain OFF for longer periods. A higher thermostat setting will cycle the combustion blower ON/OFF more often, resulting in a hotter, but shorter duration burn time of course. However, colder outside temperatures and your home's construction (insulation) will play a big factor in how well the thermostat can maintain it's set temperature.

## VISIBLE SMOKE

The amount of visible smoke being produced can be an effective method of determining how efficiently the combustion process is taking place at the given settings. Visible smoke consist of unburned fuel and moisture leaving your stove. Learn to adjust the air settings of your specific unit to produce the smallest amount of visible smoke. Wood that has not been seasoned properly and

has a high wood moisture content will produce excess visible smoke and burn poorly. Use the included moisture meter to ensure your wood has a 20% or less moisture content.

## AIR TUBES

The air tubes assembled in this unit are designed to provide an accurate mix of secondary air to ensure the highest efficiency. Any damage or deterioration of these tubes may reduce the efficiency of combustion. The air tubes are held in position by screws or snap pins. Locate these to either side of the tube and remove it to allow the tube to be removed and replaced.

## NEVER OPERATE THIS PRODUCT WHILE UNATTENDED

**CAUTION:**

**DO NOT OVERFIRE APPLIANCE. YOU ARE OVERFIRING IF ANY PART OF THE APPLIANCE GLOWS RED. CLOSE THE DOOR AND SHUT DAMPER IMMEDIATELY TO REDUCE THE AIR SUPPLY AND SLOW DOWN THE FIRE.**

**CAUTION:**

**SLOW BURNING FIRES FOR EXTENDED USE OR BURNING GREEN WOOD MAY CAUSE EXCESSIVE CREOSOTE BUILD-UP. IGNITION OF CREOSOTE OR OVERFIRING COULD CAUSE A CHIMNEY FIRE. CHIMNEY FIRES BURN EXTREMELY HOT AND MAY IGNITE SURROUNDING COMBUSTIBLE MATERIALS. IN CASE OF A CHIMNEY FIRE, CALL THE FIRE DEPARTMENT IMMEDIATELY!**

### CREOSOTE & SOOT - FORMATION & NEED FOR REMOVAL

When wood is burned slowly, the products of combustion combine with moisture to form a soot residue which accumulates on the flue lining. When ignited, this soot makes an extremely hot fire. The chimney should be inspected at least twice monthly during the heating season to determine if a creosote or soot build up has occurred. If creosote or soot has accumulated, it should be removed to reduce the risk of a chimney fire. Chimney fires burn very hot. If the chimney catches fire, immediately call the fire department, then reduce the fire by closing the inlet air control. Pour a large quantity of coarse salt, baking soda or cool ashes on top of the fire in the firebox.

**CREOSOTE ACCUMULATION CAUSES CHIMNEY FIRES. YOU SHOULD CHECK (OR HAVE CHECKED BY A QUALIFIED CHIMNEY SWEEP) YOUR CHIMNEY FOR CREOSOTE DEPOSITS AT LEAST MONTHLY DURING THE HEATING SEASON. ANY ACCUMULATIONS SHOULD BE REMOVED. COMPLETE CHIMNEY INSPECTIONS AND CLEANING SHOULD BE CONDUCTED ANNUALLY; TYPICALLY, THIS TASK SHOULD BE PERFORMED PRIOR TO EACH HEATING SEASON. IF USING AN EXISTING CHIMNEY, IT MUST BE INSPECTED PRIOR TO THE INSTALLATION OF YOUR NEW WOOD STOVE.**

**CAUTION**

**A CHIMNEY FIRE MAY CAUSE IGNITION OF WALL STUDS OR RAFTERS WHICH YOU THOUGHT WERE A SAFE DISTANCE FROM THE CHIMNEY. IF YOU HAVE A CHIMNEY FIRE, HAVE YOUR CHIMNEY INSPECTED BY A QUALIFIED PERSON BEFORE USING AGAIN.**

**ATTENTION:**

**THIS FURNACE NEEDS PERIODIC INSPECTION AND REPAIR FOR PROPER OPERATION. IT IS AGAINST FEDERAL REGULATIONS TO OPERATE THIS FURNACE IN A MANNER INCONSISTENT WITH OPERATING INSTRUCTIONS IN THIS MANUAL.**

### TO PREVENT CREOSOTE BUILD UP

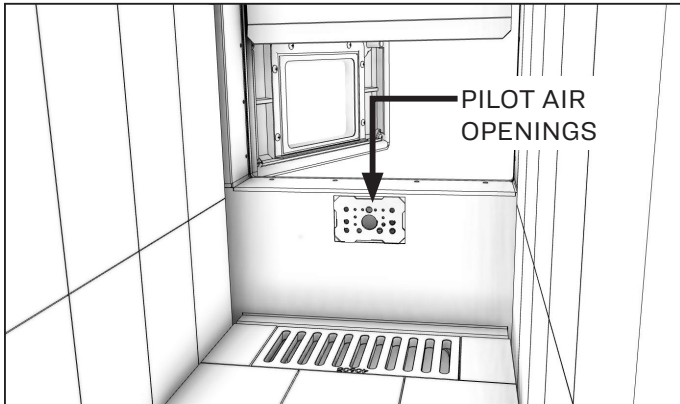
- Always burn dry wood. This allows clean burns and higher chimney temperatures, therefore less creosote deposit.
- Always check for creosote deposit once every two months and have your chimney cleaned at least once a year.
- If a chimney or creosote fire occurs, close all dampers immediately. Wait for the fire to go out and the furnace to cool, then inspect the chimney for damage. If no damage results, perform a chimney cleaning to ensure no more creosote deposits is remaining in the chimney.

**CAUTION:**

**A CHIMNEY FIRE MAY CAUSE IGNITION OF WALL STUDS OR RAFTERS WHICH WERE ASSUMED TO BE A SAFE DISTANCE AWAY FROM THE CHIMNEY. IF A CHIMNEY FIRE OCCURS, HAVE YOUR CHIMNEY INSPECTED BY A QUALIFIED EXPERT BEFORE USING AGAIN.**

## ASH REMOVAL & DISPOSAL

Never let your ashes get any higher than the pilot air hole. Remove ashes as needed leaving at least 2 inches of ash in the bottom of the firebox. Ashes should be placed in a metal container with a tight-fitting lid. The closed container of ashes should be placed on a noncombustible floor or on the ground, away from all combustible materials, pending final disposal. The ashes should be retained in the closed container until all cinders have thoroughly cooled.



### CAUTIONS:

- **ASHES COULD CONTAIN HOT EMBERS EVEN AFTER TWO DAYS WITHOUT OPERATING THE STOVE.**
- **THE ASH PAN CAN BECOME VERY HOT. WEAR GLOVES TO PREVENT INJURY.**
- **NEVER BURN THE STOVE WITH THE ASH TRAP OPEN. THIS WOULD RESULT IN OVER FIRING THE STOVE. DAMAGE TO THE STOVE AND EVEN HOUSE FIRE MAY RESULT.**

## SMOKE & CO MONITORS

Burning wood naturally produces smoke and carbon monoxide(CO) emissions. CO is a poisonous gas when exposed to elevated concentrations for extended periods of time. While the modern combustion systems in furnaces drastically reduce the amount of CO emitted out the chimney, exposure to the gases in closed or confined areas can be dangerous. Make sure you stove gaskets and chimney joints are in good working order and sealing properly to ensure unintended exposure. It is recommended that you use both smoke and CO monitors in areas having the potential to generate CO.

## GASKET CARE

### WARNING:

**NEVER OPERATE THE STOVE WITHOUT GASKETS OR WITH BROKEN GASKETS. DAMAGE TO THE STOVE OR EVEN HOUSE FIRE MAY RESULT.**

It is recommended that you change the door gasket (which makes your furnace door air tight) once a year, in order to ensure good control over the combustion, maximum efficiency and security. To change the door gasket, simply remove the damaged one. Carefully clean the available gasket groove, apply a high temperature silicone sold for this purpose and install the new gasket. You may light up your furnace again approximately 24 hours after having completed this operation. This unit's feed door uses a 5/8" diameter rope gasket. The door glass on this unit uses a 1 x 1/8 gasket.

### ATTENTION:

**THIS WOOD FURNACE NEEDS PERIODIC INSPECTION AND REPAIR FOR PROPER OPERATION. IT IS AGAINST FEDERAL REGULATIONS TO OPERATE THIS WOOD FURNACE IN A MANNER INCONSISTENT WITH OPERATING INSTRUCTIONS IN THIS MANUAL.**

## SERVICE HINTS

Do not expect a furnace to draw. It is the chimney that creates the draft. Smoke spillage into the house or excessive build-up of water or creosote in the chimney are warnings that the chimney is not functioning properly. Correct the problem before using furnace. Possible causes are:

1. The connector pipe may be pushed into the chimney too far, stopping the draft.
2. Do not connect two furnaces or a stove and furnace into the same chimney flue.
3. The chimney used for a furnace must not be used to ventilate the cellar or basement. If there is a cleanout opening at the base of the chimney, it must be closed tightly.
4. If the chimney is operating too cool, water will condense in the chimney and run back into the furnace. Creosote formation will be rapid and may block the chimney. Operate the furnace at a high enough fire to keep the chimney warm, preventing this condensation.

5. If the fire burns well, but sometimes smokes or burns slowly, it may be caused by the chimney top being lower than another part of the house or a nearby tree. The wind blowing over a house or a tree, falls on top of the chimney like water over a dam, beating down the smoke. The top of the chimney should be at least 3 feet above the roof and be at least 2 feet higher than any point of the roof within 10 feet.

## CARING FOR PAINTED PARTS

This furnace has a painted outside jacket, which is durable, but it will not stand rough handling or abuse. When installing your furnace, use care in handling. Clean with soap and warm water when furnace is not hot. DO NOT use any acids or scouring soap, as these wear and dull the finish. DISCOLORATION WILL OCCUR IF THE FURNACE IS OVERHEATED. FOLLOW OPERATING INSTRUCTIONS CAREFULLY.

**CAUTION:**

**THE SPECIAL PAINTS USED ON YOUR FURNACE MAY GIVE OFF SOME SMOKE WHILE THEY ARE CURING DURING FIRST FEW FIRES., BUILD SMALL FIRES AT FIRST. THE METAL USED IN CONSTRUCTION OF THE FURNACE AND DUCT WORK HAS A LIGHT COATING OF OIL. THIS COULD GIVE OFF SMOKE AND/OR ODOR FROM REGISTERS WHEN FURNACE IS USED FOR THE FIRST TIME. THIS SHOULD DISAPPEAR AFTER A SHORT PERIOD OF TIME. ONCE THIS BURN-OFF HAS OCCURRED, IT SHOULD NOT REOCCUR.**

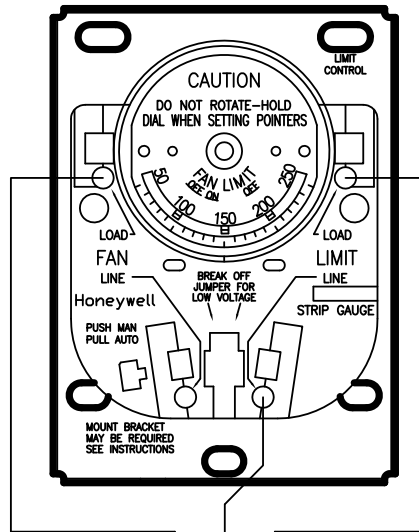
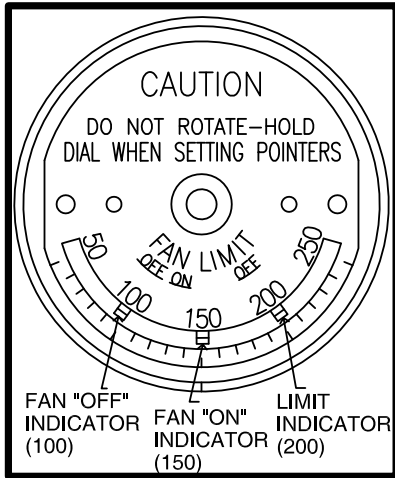
## HOW TO ORDER REPAIR PARTS

**For Parts Assistance Call: 800-750-2723 Ext 5051 or Email: [parts@usstove.com](mailto:parts@usstove.com)**

The information in this owner's manual is specific to your unit. When ordering replacement parts the information in this manual will help to ensure the correct items are ordered. Before contacting customer service write down the model number and the serial number of this unit. That information can be found on the certification label attached to the back of the unit. Other information that may be needed would be the part number and part description of the item(s) in question. Part numbers and descriptions can be found in the "Repair Parts" section of this manual. Once this information has been gathered you can contact customer service by phone 1-800-750-2723 Ext 5051 or Email [parts@usstove.com](mailto:parts@usstove.com).

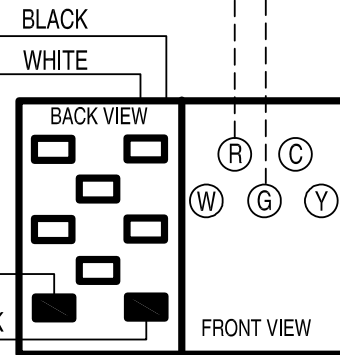
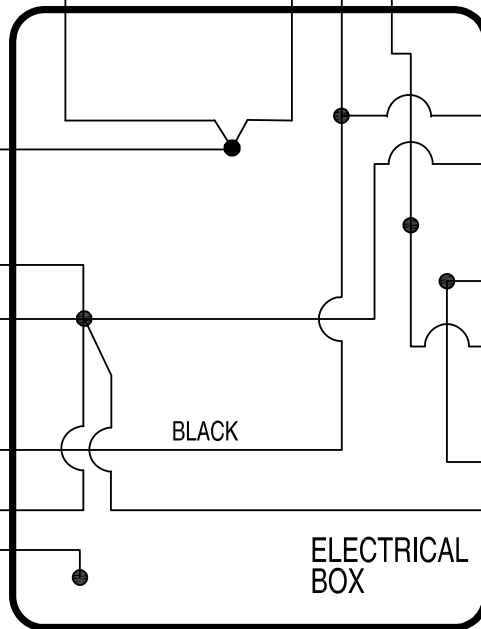
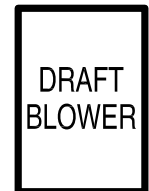
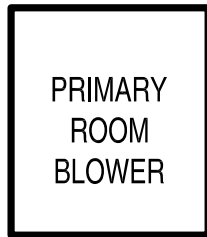
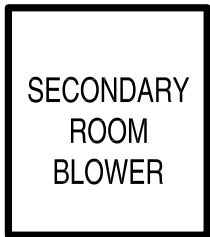
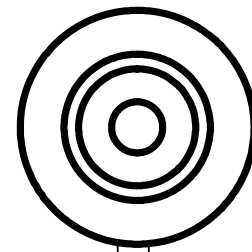
Model Information	
Model Number	
Serial Number	

## SETTING LIMIT CONTROL

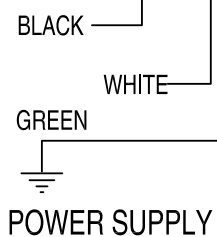


Honeywell  
LIMIT SWITCH

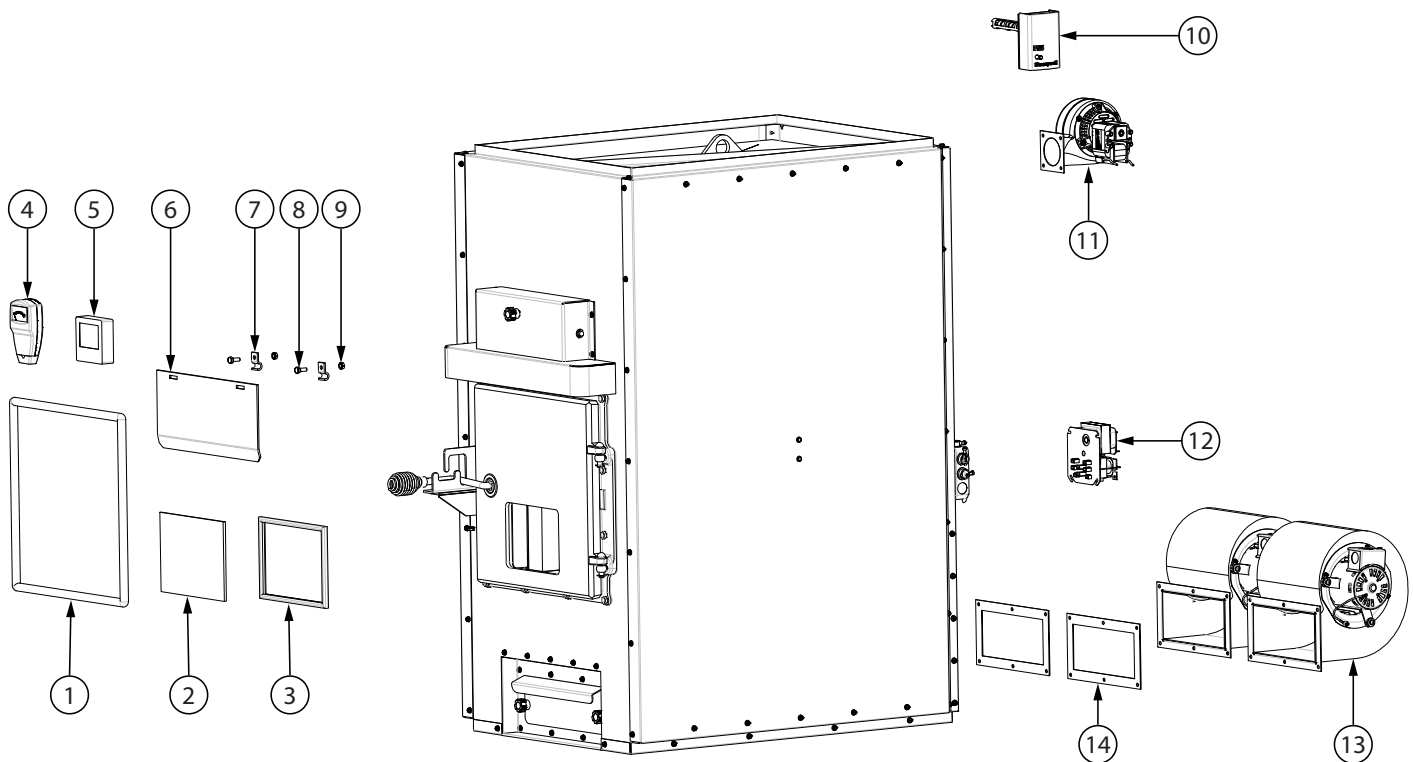
## WALL THERMOSTAT



FAN CENTER



**ALL WIRING MUST BE DONE  
BY A QUALIFIED ELECTRICIAN**



Key	Part #	Description	Qty
1	88126	DOOR GASKET	5ft
2	892686	DOOR GLASS	1
3	88087	GLASS GASKET	30"
4	80697	MOISTURE METER	1
5	80779	DIGITAL WALL THERMOSTAT	1
6	893794	SMOKE CURTAIN	1
7	23787	CLIP, SMOKE DOOR (C000079)	2
8	83339	1/4-20 x 3/4 HEX BOLT	2
9	83250	1/4-20 KEP NUT (BLACK)	2
10	80145	LIMIT CONTROL	1
11	80884	BLOWER, FORCED DRAFT MH	1
12	80130	TRANSFORMER, FAN CENTER	1
13	80594	BLOWER ASSEMBLY	2
14	89319	BLOWER GASKET	2

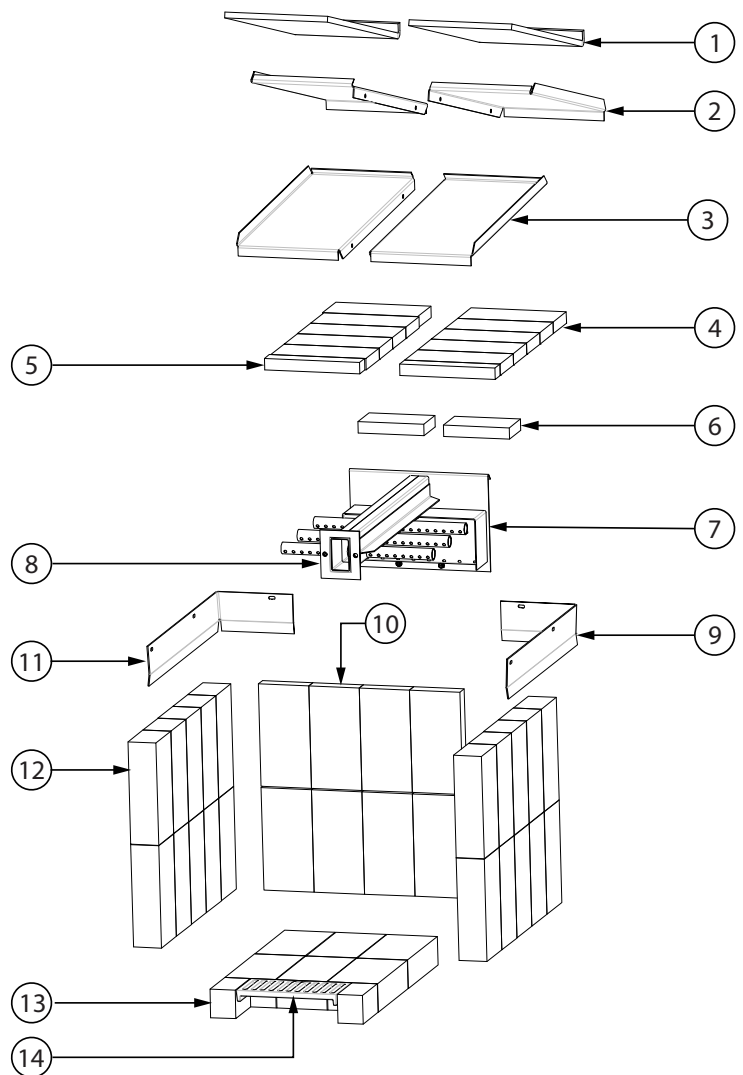
To order parts:

Call 1-800-750-2723 Ext 5051 or

Email to: [parts@usstove.com](mailto:parts@usstove.com)

**IN ORDER TO MAINTAIN WARRANTY, COMPONENTS MUST BE REPLACED USING ORIGINAL MANUFACTURERS PARTS PURCHASED THROUGH YOUR DEALER OR DIRECTLY FROM THE APPLIANCE MANUFACTURER. USE OF THIRD PARTY COMPONENTS WILL VOID THE WARRANTY.**

Key	Part #	Description	Qty
1	88353	BAFFLE BLANKET	2
2	893927	TOP BAFFLE (SET OF 2)	1
3	893928	BOTTOM BAFFLE (SET OF 2)	1
4	88360	C-CAST LARGE	10
5	88362	C-CAST SMALL	2
6	88361	C-CAST MEDIUM	2
7	893792	TRUNK ASSEMBLY	1
8	88366	TRUNK GASKET	1
9	893806	RETAINER, BRICK	1
10	89066A	THIN BRICK (4-1/2 x 9) PUMICE	8
11	893807	RETAINER, BRICK	1
12	D2030010	THICK BRICK STRAIGHTS (4-1/2 X 9) PUMICE	26
13	893929	THICK BRICK STRAIGHTS (4-1/2 X 9) PUMICE	2
14	40605	CAST GRATE	1



To order parts:

Call 1-800-750-2723 Ext 5051 or

Email to: [parts@usstove.com](mailto:parts@usstove.com)

**IN ORDER TO MAINTAIN WARRANTY, COMPONENTS MUST BE REPLACED USING ORIGINAL MANUFACTURERS PARTS PURCHASED THROUGH YOUR DEALER OR DIRECTLY FROM THE APPLIANCE MANUFACTURER. USE OF THIRD PARTY COMPONENTS WILL VOID THE WARRANTY.**



# SERVICE RECORD



It is recommended that your heating system is serviced regularly and that the appropriate Service Interval Record is completed.

## SERVICE PROVIDER

Before completing the appropriate Service Record below, please ensure you have carried out the service as described in the manufacturer's instructions. Always use the manufacturer's specified spare part when replacement is necessary.

<b>Service 01</b>	Date: _____
Engineer Name: _____	
License No.: _____	
Company: _____	
Telephone No.: _____	
Stove Inspected: <input type="checkbox"/>	Chimney Swept: <input type="checkbox"/>
Items Replaced: _____	

<b>Service 02</b>	Date: _____
Engineer Name: _____	
License No.: _____	
Company: _____	
Telephone No.: _____	
Stove Inspected: <input type="checkbox"/>	Chimney Swept: <input type="checkbox"/>
Items Replaced: _____	

<b>Service 03</b>	Date: _____
Engineer Name: _____	
License No.: _____	
Company: _____	
Telephone No.: _____	
Stove Inspected: <input type="checkbox"/>	Chimney Swept: <input type="checkbox"/>
Items Replaced: _____	

<b>Service 04</b>	Date: _____
Engineer Name: _____	
License No.: _____	
Company: _____	
Telephone No.: _____	
Stove Inspected: <input type="checkbox"/>	Chimney Swept: <input type="checkbox"/>
Items Replaced: _____	

<b>Service 05</b>	Date: _____
Engineer Name: _____	
License No.: _____	
Company: _____	
Telephone No.: _____	
Stove Inspected: <input type="checkbox"/>	Chimney Swept: <input type="checkbox"/>
Items Replaced: _____	

<b>Service 06</b>	Date: _____
Engineer Name: _____	
License No.: _____	
Company: _____	
Telephone No.: _____	
Stove Inspected: <input type="checkbox"/>	Chimney Swept: <input type="checkbox"/>
Items Replaced: _____	

<b>Service 07</b>	Date: _____
Engineer Name: _____	
License No.: _____	
Company: _____	
Telephone No.: _____	
Stove Inspected: <input type="checkbox"/>	Chimney Swept: <input type="checkbox"/>
Items Replaced: _____	

<b>Service 08</b>	Date: _____
Engineer Name: _____	
License No.: _____	
Company: _____	
Telephone No.: _____	
Stove Inspected: <input type="checkbox"/>	Chimney Swept: <input type="checkbox"/>
Items Replaced: _____	





# FICHE D'ENTRETIEN



Il est recommandé d'effectuer l'entretien régulier de votre système de chauffage et de compléter le Registre des intervalles de service.

## FOURNISSEUR DE SERVICE

Avant de compléter la fiche de service ci-dessous, assurez-vous d'avoir effectué le service tel que décrit dans les instructions du fabricant. Utilisez toujours les pièces de rechange spécifiées du fabricant lorsque le remplacement est nécessaire.

_____	<b>Service 01</b>
_____	Date : _____
_____	Nom de l'ingénieur : _____
_____	No de licence : _____
_____	Entreprise : _____
_____	N° de téléphone : _____
_____	Poêle inspecté : _____
_____	Cheminée nettoyée : _____
_____	Produits remplacés : _____

_____	<b>Service 02</b>
_____	Date : _____
_____	Nom de l'ingénieur : _____
_____	No de licence : _____
_____	Entreprise : _____
_____	N° de téléphone : _____
_____	Poêle inspecté : _____
_____	Cheminée nettoyée : _____
_____	Produits remplacés : _____

_____	<b>Service 03</b>
_____	Date : _____
_____	Nom de l'ingénieur : _____
_____	No de licence : _____
_____	Entreprise : _____
_____	N° de téléphone : _____
_____	Poêle inspecté : _____
_____	Cheminée nettoyée : _____
_____	Produits remplacés : _____

_____	<b>Service 04</b>
_____	Date : _____
_____	Nom de l'ingénieur : _____
_____	No de licence : _____
_____	Entreprise : _____
_____	N° de téléphone : _____
_____	Poêle inspecté : _____
_____	Cheminée nettoyée : _____
_____	Produits remplacés : _____

_____	<b>Service 05</b>
_____	Date : _____
_____	Nom de l'ingénieur : _____
_____	No de licence : _____
_____	Entreprise : _____
_____	N° de téléphone : _____
_____	Poêle inspecté : _____
_____	Cheminée nettoyée : _____
_____	Produits remplacés : _____

_____	<b>Service 06</b>
_____	Date : _____
_____	Nom de l'ingénieur : _____
_____	No de licence : _____
_____	Entreprise : _____
_____	N° de téléphone : _____
_____	Poêle inspecté : _____
_____	Cheminée nettoyée : _____
_____	Produits remplacés : _____

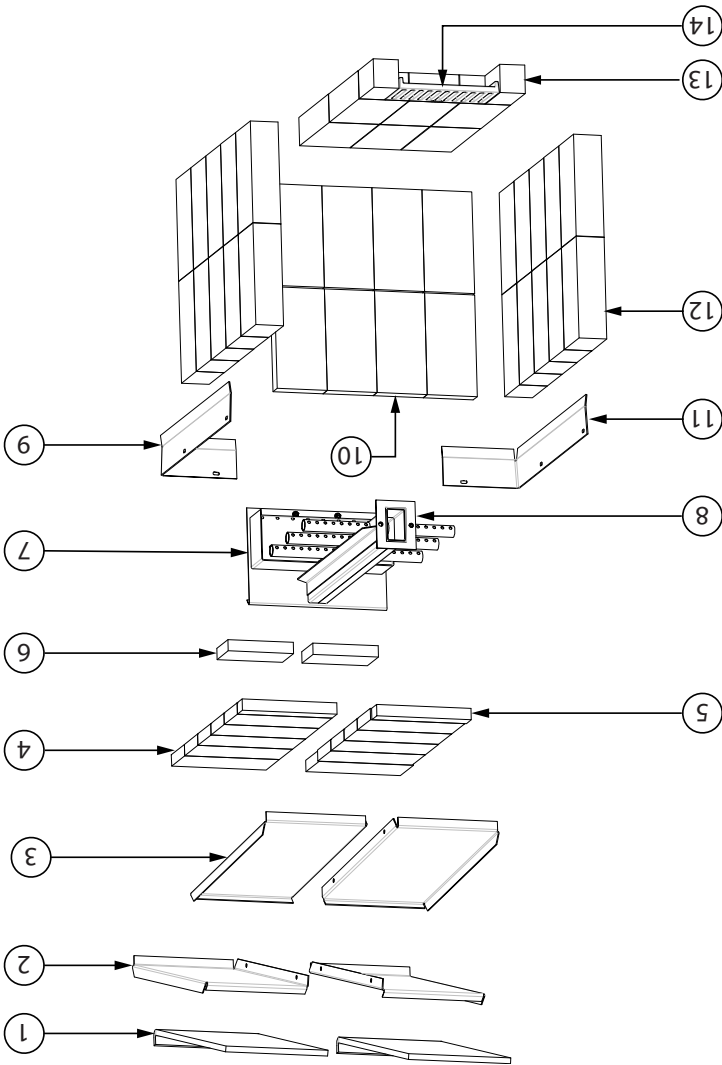
_____	<b>Service 07</b>
_____	Date : _____
_____	Nom de l'ingénieur : _____
_____	No de licence : _____
_____	Entreprise : _____
_____	N° de téléphone : _____
_____	Poêle inspecté : _____
_____	Cheminée nettoyée : _____
_____	Produits remplacés : _____

_____	<b>Service 08</b>
_____	Date : _____
_____	Nom de l'ingénieur : _____
_____	No de licence : _____
_____	Entreprise : _____
_____	N° de téléphone : _____
_____	Poêle inspecté : _____
_____	Cheminée nettoyée : _____
_____	Produits remplacés : _____

# PIÈCES DE REMPLACEMENT

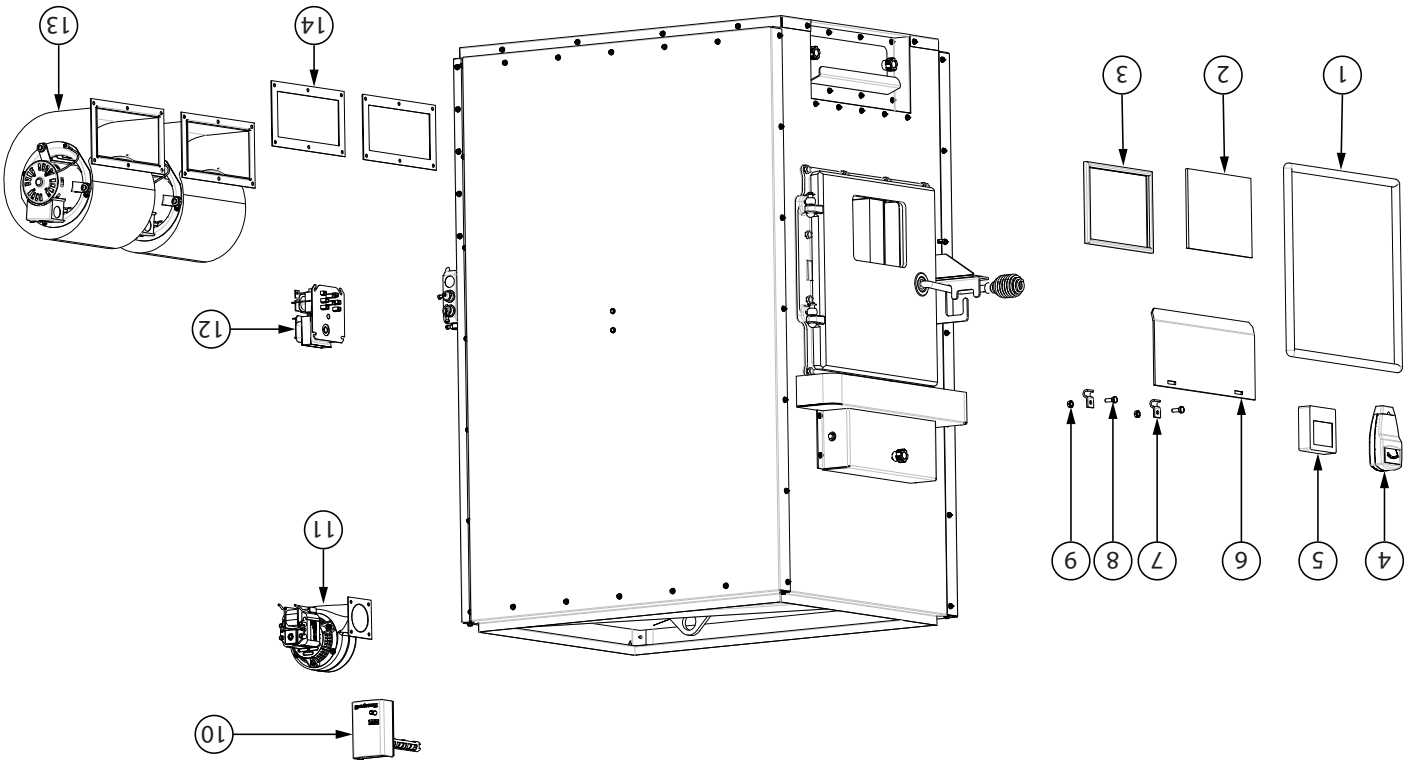
Référence	N° de pièce	Description	Qté
1	88353	COUVERTURE DU DÉFLECTEUR	2
2	893927	DÉFLECTEUR SUPÉRIEUR (JEU DE 2)	1
3	893928	DÉFLECTEUR INFÉRIEUR (JEU DE 2)	1
4	88360	C-CAST GRANDE	10
5	88362	C-CAST PETIT	2
6	88361	C-CAST MOYEN	2
7	893792	ASSEMBLAGE DU TRONC	1
8	88366	JOINT DE COFFRE	1
9	893806	DISPOSITIF DE RETENUE, BRIQUE	1
10	89066A	BRIQUE MINCE (4-1/2 x 9) PIERRE PONCE	8
11	893807	DISPOSITIF DE RETENUE, BRIQUE	1
12	D2030010	BRIQUES DROITES ÉPAISSES (4-1/2 x 9) PIERRE PONCE	26
13	893929	BRIQUES DROITES ÉPAISSES (4-1/2 x 9) PIERRE PONCE	2
14	40605	GRILLE EN FONTE	1

Comment effectuer la commande de pièces de réparation  
 1 800 750-2723 poste 5051 ou;  
 envoyez un courriel à : parts@usstove.com



AFIN DE CONSERVER LA GARANTIE, LES COMPOSANTS DOIVENT ÊTRE REMPLACÉS PAR LES PIÈCES D'ORIGINE DU FABRICANT ACHETÉES AUPRÈS DE VOTRE REVENDEUR OU DIRECTEMENT AUPRÈS DU FABRICANT DE L'APPAREIL. L'UTILISATION DE COMPOSANTES PROVENANT DE TIERS ANNULERA LA GARANTIE.

# PIÈCES DE RECHANGE



Référence	No de pièce	Description	Qté
1	88126	JOINT D'ÉTANCHÉITÉ DE PORTE	5 pi
2	892686	VITRE DE PORTE	1
3	88087	JOINT D'ÉTANCHÉITÉ EN VERRE	30 po
4	80697	HUMIDIMÈTRE	1
5	80779	THERMOSTAT NUMÉRIQUE MURAL	1
6	893794	ÉCRAN DE CANTONNEMENT	1
7	23787	PINCE, PORTE DE FUMÉE (C000079)	2
8	83339	BOULON HEXAGONAL 1/4-20 x 3/4	2
9	83250	ECROU KEP 1/4-20 (NOIR)	2
10	80145	CONTRÔLE DE LA LIMITE	1
11	80884	VENTILATEUR, TIRAGE FORCÉ MH	1
12	80130	TRANSFORMATEUR, CENTRE DU VENTILATEUR	1
13	80594	ASSEMBLAGE DU VENTILATEUR	2
14	89319	JOINT D'ÉTANCHÉITÉ DU VENTILATEUR	2

Comment effectuer la commande de pièces de réparation  
 1 800 750-2723 poste 5051 ou;  
 envoyez un courriel à : parts@usstove.com

**AFIN DE CONSERVER LA GARANTIE, LES COMPOSANTS DOIVENT ÊTRE REMPLACÉS PAR DES PIÈCES D'ORIGINE DU FABRICANT ACHETÉES AUPRÈS DE VOTRE REVENDEUR OU DIRECTEMENT AUPRÈS DU FABRICANT DE L'APPAREIL. L'UTILISATION DE COMPOSANTES PROVENANT DE TIERS ANNULERA LA GARANTIE.**



5. Si le feu brûle bien, mais qu'il émet par moments de la fumée ou brûle lentement, ce pourrait être causé par le fait que le sommet de la cheminée est plus bas qu'une autre partie de la maison, ou par la présence d'un arbre à proximité. Le vent soufflant par-dessus la maison ou un arbre tombe sur le haut de la cheminée comme de l'eau passant sur un barrage, en rabattant la fumée. Le sommet de la cheminée doit se trouver à au moins 90 cm (3 pi) au-dessus du toit et être au moins 60 cm (2 pi) plus haut que tout point du toit dans un rayon de 3 mètres (10 pi).

## ENTRETIEN DES PIÈCES PEINTES

Cette fournaise a une enveloppe extérieure peinte durable, mais qui ne supportera pas les manipulations brutales ou les abus. Faites attention lors de l'installation de votre fournaise. Nettoyez au savon et à l'eau chaude lorsque la fournaise n'est pas chaude. NE PAS utiliser d'acide ou de savon à récurer, car ils vont user et ternir le fini. UNE DÉCOLORATION SE PRODUIRA SI LA FOURNAISE EST SURCHAUFFÉE. SUIVRE ATTENTIVEMENT LES DIRECTIVES DE FONCTIONNEMENT.

# COMMENT EFFECTUER LA COMMANDE DE PIÈCES DE RÉPARATION

Pour assistance relative aux pièces détachées : 800 750-2723 poste 5051 ou courriel à : [parts@usstove.com](mailto:parts@usstove.com)

Les informations contenues dans le présent manuel du propriétaire sont spécifiques à votre appareil. Lorsque vous commandez des pièces de rechange, les informations contenues dans ce manuel vous aideront à commander les articles appropriés. Avant de contacter le service clientèle, notez le numéro de modèle et le numéro de série de cet appareil. Ces informations se trouvent sur l'étiquette de certification apposée au dos de l'appareil. D'autres informations, telles que le numéro de pièce et la description de l'article ou des articles en question, peuvent être nécessaires. Les numéros et descriptions des pièces se trouvent dans la section « Pièces de rechange » du présent manuel. Une fois ces informations reçues, vous pouvez contacter le service clientèle par téléphone au 1 800-750-2723, poste 5051 ou par courriel à [parts@usstove.com](mailto:parts@usstove.com).

Informations sur le modèle	
Numéro de modèle	Numéro de série

## ATTENTION :

LES PEINTURES SPÉCIALES UTILISÉES SUR VOTRE FOURNAISE PEUVENT DÉGAGER UN PEU DE FUMÉE EN DURCISSANT LORS DES PREMIERS FEUX. FAITES D'ABORD DE PETITS FEUX. LE MÉTAL UTILISÉ DANS LA CONSTRUCTION DE LA FOURNAISE ET DU RÉSEAU DE GAINES A UNE LÉGÈRE COUCHE D'HUILE. CELA POURRAIT DÉGAGER DE LA FUMÉE ET/OU UNE ODEUR DES REGISTRES LORSQUE LA FOURNAISE EST UTILISÉE POUR LA PREMIÈRE FOIS. LE PROBLÈME DEVAIT DISPARAITRE APRÈS UN COURT LAPSE DE TEMPS. DÈS QUE CE BRÛLAGE A EU LIEU, IL NE DOIT PAS SE RÉPÉTER.



## ENTRETIEN DES JOINTS D'ÉTANCHÉITÉ

### AVERTISSEMENT :

**NE FAITES JAMAIS FONCTIONNER LE POÊLE SANS JOINTS D'ÉTANCHÉITÉ OU AVEC DES JOINTS D'ÉTANCHÉITÉ BRISÉS. CELA POURRAIT CAUSER DES DOMMAGES AU POÊLE OU MÊME UN INCENDIE.**

Il est recommandé de changer le joint d'étanchéité de la porte (assurant l'étanchéité à la porte de la fournaise) une fois par année, afin de vous assurer un bon contrôle sur la combustion, une efficacité maximale et de garantir la sécurité. Pour changer le joint d'étanchéité de la porte, retirez simplement celui qui est endommagé. Nettoyez ensuite avec soin la rainure du joint, appliquez un silicone à haute température vendu à cette fin et installez le nouveau joint. Vous pourrez allumer votre fournaise à nouveau dans environ 24 heures après avoir terminé cette opération. La porte d'alimentation de cette unité comporte un joint d'étanchéité d'un diamètre de 19 mm (5/8 po) de diamètre. La vitre de la porte de cet appareil utilise un joint d'étanchéité de 1 x 1/8.

### ATTENTION :

**CETTE FOURNAISE AU BOIS DOIT ÊTRE INSPECTÉE ET RÉPARÉE PÉRIODIQUEMENT POUR UN FONCTIONNEMENT ADÉQUAT. TOUTE UTILISATION DE CETTE FOURNAISE AU BOIS D'UNE MANIÈRE NON CONFORME AUX INSTRUCTIONS D'UTILISATION DE CE MANUEL EST CONTRAIRE AUX RÉGLEMENTATIONS FÉDÉRALES.**

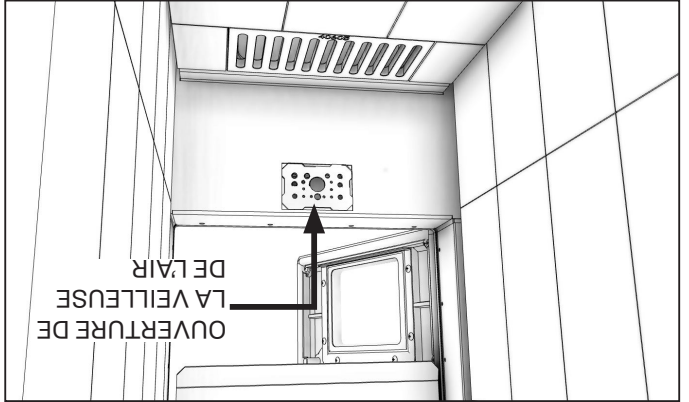
## CONSEILS D'ENTRETIEN

Ne vous attendez pas à ce qu'une fournaise tire. C'est la cheminée qui crée le tirage. Le dispersement de fumée dans la maison, ou une accumulation excessive d'eau ou de crasse dans la cheminée sont des signes qui indiquent que la cheminée ne fonctionne pas correctement. Corrigez le problème avant d'utiliser la fournaise. Les causes possibles sont :

1. Le raccordement du tuyau peut être poussé trop loin dans la cheminée, ce qui empêche le tirage.
2. Ne branchez pas deux fournaises ou un poêle et une fournaise dans le même conduit de cheminée.
3. La cheminée utilisée pour une fournaise ne doit pas être utilisée pour ventiler la cave ou le sous-sol. S'il y a une porte de nettoyage à la base de la cheminée, elle doit être fermée hermétiquement.
4. Si la température de fonctionnement de la cheminée est trop froide, l'eau se condensera dans la cheminée et coulera dans la fournaise. La formation de crasse sera rapide et pourrait bloquer la cheminée. Faites fonctionner la fournaise à un feu assez élevé pour garder la cheminée chaude, ce qui empêche cette condensation.

## ENLÈVEMENT ET ÉLIMINATION DES CENDRES

Ne laissez jamais vos cendres dépasser le trou d'aération 5 cm (2 po) de cendres dans le fond de la boîte à combustion. Les cendres doivent être placées dans un récipient en métal recouvert d'un couvercle bien ajusté. Le récipient de cendres fermé doit être placé sur un plancher incombustible ou sur le sol, loin des matériaux combustibles, en attendant sa mise au rebut finale. Les cendres doivent être conservées dans le récipient fermé jusqu'à ce qu'elles soient refroidies.



### PRÉCAUTIONS :

- LES CENDRES PEUVENT CONTENIR DES BRAISES CHAUDES MÊME APRÈS DEUX JOURS SANS UTILISATION DU POÊLE.
- LE BAC À CENDRES PEUT DEVENIR TRÈS CHAUD. ENFILEZ DES GANTS POUR ÉVITER LES BLESSURES.
- NE BRÛLEZ JAMAIS LE POÊLE LORSQUE LA TRAPPE À CENDRES EST OUVERTE. CELA ENTRAÎNERAIT UNE SURCHAUFFE DU POÊLE. DES DOMMAGES AU POÊLE ET MÊME UN INCENDIE POUR LA MAISON PEUVENT EN RÉSULTER.

## DÉTECTEURS DE FUMÉE ET DE CO

Le brlage du bois produit naturellement des émissions de fumée et du monoxyde de carbone (CO). Le CO est un gaz toxique lorsque l'exposition se fait à des concentrations élevées lors de longues périodes. Bien que les systèmes de combustion modernes des fournaises réduisent de façon importante la quantité de CO émise par la cheminée, l'exposition à ces gaz dans des zones fermées ou confinées peut être dangereuse. Assurez-vous que les joints de votre poêle et ceux de la cheminée sont en bon état et étanches afin d'éviter les conséquences indésirables. Il est recommandé d'utiliser des détecteurs de fumée et de CO dans les zones où se trouve un potentiel de génération de CO.

## NE JAMAIS FAIRE FONCTIONNER CE PRODUIT SANS SURVEILLANCE

**ATTENTION :**

NE PAS SURCHAUFFER L'APPAREIL. SI UNE PARTIE DE L'APPAREIL EST ROUGE, C'EST QU'IL Y A SURCHAUFFE. FERMEZ LA PORTE ET LE CLAPET IMMÉDIATEMENT POUR RÉDUIRE L'APPORT D'AIR ET RALENTIR LE FEU.

**ATTENTION :**

LES FEUX À COMBUSTION LENTE POUR UNE UTILISATION PROLONGÉE OU LA COMBUSTION DE BOIS VERT PEUVENT PROVOQUER UNE ACCUMULATION EXCESSIVE DE CRÉOSOTE. L'ALLUMAGE DE CRÉOSOTE OU LA SURCHAUFFE PEUVENT PROVOQUER UN FEU DE CHEMINÉE. LES FEUX DE CHEMINÉE SONT EXTRÊMEMENT CHAUDS ET SUSCEPTIBLES D'ENFLAMMER LES MATÉRIAUX COMBUSTIBLES ENVIRONNANTS. EN CAS DE FEU DE CHEMINÉE, APPELEZ IMMÉDIATEMENT LE SERVICE D'INCENDIE!

La combustion lente du bois combine les produits de la combustion avec l'humidité pour former un résidu de suie qui s'accumule sur la doublure du conduit de fumée. Cette suie, lorsqu'elle s'enflamme, produit un feu extrêmement chaud. La cheminée doit être inspectée au moins deux fois par mois pendant la saison de chauffage pour déterminer si des dépôts de créosote ou de suie se sont formés. Si des dépôts de créosote ou de suie se sont accumulés, il faut les enlever afin de réduire le risque de feu de cheminée. Les feux de cheminée brûlent à une très grande chaleur. Si la cheminée prend feu, appelez immédiatement le service des incendies, puis réduisez le feu en fermant le contrôle de l'air d'admission. Versez une grande quantité de gros sel, de bicarbonate de soude ou de cendres froides sur le feu dans la boîte à combustion.

**L'ACCUMULATION DE CRÉOSOTE PROVOQUE DES FEUX DE CHEMINÉE. VOUS DEVEZ VÉRIFIER (OU FAIRE VÉRIFIER PAR UN RAMONEUR QUALIFIÉ) L'ABSENCE DE DÉPÔTS DE CRÉOSOTE DANS VOTRE CHEMINÉE AU MOINS UNE FOIS PAR MOIS PENDANT LA SAISON DE CHAUFFAGE. TOUTE ACCUMULATION DOIT ÊTRE ENLEVÉE. UNE INSPECTION ET UN NETTOYAGE COMPLETS DE LA CHEMINÉE DOIVENT ÊTRE EFFECTUÉS CHAQUE ANNÉE; EN GÉNÉRAL, CETTE TÂCHE DOIT ÊTRE RÉALISÉE AVANT CHAQUE SAISON DE CHAUFFAGE. SI VOUS UTILISEZ UNE CHEMINÉE EXISTANTE, CELLE-CI DOIT ÊTRE INSPECTÉE AVANT**

**ATTENTION**

UN FEU DE CHEMINÉE PEUT CAUSER L'ALLUMAGE DES MURS À COLOMBAGES OU DES CHEVRONS QUE VOUS PENSIEZ À UNE DISTANCE SÉCURITAIRE. EN CAS DE FEU DE CHEMINÉE, FAITES INSPECTER VOTRE CHEMINÉE PAR UNE PERSONNE COMPÉTENTE AVANT DE LA RÉUTILISER.

**ATTENTION :**

CETTE FOURNAISE DOIT ÊTRE INSPECTÉE ET RÉPARÉE PÉRIODIQUEMENT POUR UN FONCTIONNEMENT ADÉQUAT. TOUTE UTILISATION DE CETTE FOURNAISE D'UNE MANIÈRE NON CONFORME AUX INSTRUCTIONS D'UTILISATION DE CE MANUEL EST CONTRAIRE AUX RÉGLEMENTATIONS FÉDÉRALES.

### POUR ÉVITER L'ACCUMULATION DE CRÉOSOTE

- Brûlez toujours du bois sec. Ceci permet un brûlage propre et des températures de cheminée plus élevées, et par ce fait, moins de dépôts de créosote.
- Vérifiez toujours la présence de dépôts de créosote une fois tous les deux mois et faites nettoyer votre cheminée au moins une fois par an.
- Si un feu de cheminée ou de créosote survient, fermez immédiatement tous les registres. Attendez que le feu s'éteigne et que la fournaise refroidisse, puis inspectez la cheminée pour déceler d'éventuels dommages. En l'absence de dommages, effectuez un nettoyage de la cheminée pour vous assurer qu'il ne reste plus de dépôts de créosote dans la cheminée.

**ATTENTION :**

UN FEU DE CHEMINÉE PEUT CAUSER L'ALLUMAGE DES MURS À COLOMBAGES OU DES CHEVRONS CENSÉS SE TROUVER À UNE DISTANCE SÛRE DE LA CHEMINÉE. EN CAS DE FEU DE CHEMINÉE, FAITES VÉRIFIER VOTRE CHEMINÉE PAR UN EXPERT QUALIFIÉ AVANT DE L'UTILISER À NOUVEAU.

## CHARGEMENT PRINCIPAL DE BOIS

### DE CHAUFFAGE

- Assurez-vous que le ventilateur de combustion est sur MARCHÉ, et ouvrez la porte d'alimentation pour insérer la charge principale de bois de chauffage.
- Après le chargement, laissez la porte d'alimentation légèrement ouverte pendant cinq minutes (5 min) pour permettre un bon allumage, puis fermez la porte.
- Le clapet du ventilateur de combustion doit être ouvert.
- La durée de combustion de la charge principale dépend de la température à laquelle le thermostat mural est réglé. Un réglage plus bas du thermostat devrait se traduire par une durée de combustion plus longue, car cela permet au ventilateur de combustion de rester éteint pendant de plus longues périodes. Un réglage plus élevé du thermostat permet d'activer et de désactiver plus souvent le ventilateur de combustion, avec pour résultat une combustion plus chaude, mais de plus courte durée bien sûr. Cependant, les températures extérieures plus froides et la construction de votre maison (isolation) jouent un rôle important dans la capacité du thermostat à maintenir la température fixée.

## FUMÉE VISIBLE

### CONDUITS D'AIR

La quantité visible de fumée produite peut être une méthode efficace pour déterminer l'efficacité du processus de combustion aux réglages établis. La fumée visible est composée de combustible non brûlé et de l'humidité s'échappant de votre poêle. Apprenez comment ajuster les réglages d'air de votre unité afin de produire la plus petite quantité de fumée visible. Le bois incorrectement séché a une teneur élevée en humidité et produira un excès de fumée visible et un mauvais brûlage. Utilisez le doseur d'humidité inclus pour vérifier que votre bois a une teneur en humidité de 20 % ou moins.

Les conduits d'air assemblés dans cette unité sont conçus pour offrir un mélange précis d'air secondaire et assurer une plus grande efficacité. Tout endommagement ou détérioration de ces conduits peut réduire l'efficacité de la combustion. Les conduits d'air sont maintenus en position par des vis ou des goupilles. Placez-les de chaque côté du conduit et retirez-les pour le retrait et le remplacement du conduit.

**ATTENTION :**

**NE PAS LAISSER L'APPAREIL SANS SURVEILLANCE AVEC LA PORTE OUVERTE.**

**AVERTISSEMENTS :**

- NE JAMAIS SURCHAUFFER VOTRE POÊLE. SI DES PARTIES DE CE POÊLE COMMENÇAIENT À ROUGEoyer, IL S'AGIT D'UNE SURCHAUFFE. RÉAJUSTER LE CONTRÔLE DE PRISE D'AIR À UN RÉGLAGE INFÉRIEUR.
- L'INSTALLATION D'UN SUPPORT À BÛCHES OU D'UNE GRILLE N'EST PAS RECOMMANDÉE DANS VOTRE POÊLE À BOIS. ÉTABLIR LE FEU DE BOIS DIRECTEMENT SUR LA BRIQUE RÉFRACTAIRE.
- NE JAMAIS PLACER DE BOIS AU-DESSUS DU DOUBLAGE DE BRIQUE DANS LA BOÎTE À COMBUSTION.
- LES TENTATIVES D'ATTEINDRE DES TAUX DE PUISSANCE CALORIFIQUE QUI DÉPASSENT LES SPÉCIFICATIONS DE CONCEPTION DE LA FOURNAISE PEUVENT ENTRAÎNER DES DOMMAGES PERMANENTS À LA FOURNAISE.

## FONCTIONNEMENT GÉNÉRAL DE LA FOURNAISE

### Contrôle de limite Honeywell

Ce dispositif, monté dans le réseau de gaines, juste au-dessus de la sortie d'air au sommet de la fournaise, fonctionne conjointement avec un thermostat mural, et actionne les ventilateurs de distribution et le ventilateur de combustion à l'arrière de la fournaise. Les réglages d'usine sont 100/150/200. Le réglage du thermostat mural commande le temps de MARCHE du ventilateur de combustion. Si la température est inférieure au réglage du thermostat mural, le ventilateur de combustion se met en MARCHE. (Réglage recommandé de 5 à 10 degrés de plus que les autres thermostats de chauffage). Les deux premières valeurs de réglage du contrôle de limite font fonctionner les ventilateurs de distribution. Dès que la température de la chambre de réparation atteint la deuxième valeur de réglage du contrôle de limite, les ventilateurs de distribution se mettent en marche. Si la température tombe sur la première valeur de réglage, le ventilateur de distribution s'arrête. Le ventilateur de combustion s'arrête lorsque le four atteint la troisième valeur de réglage du contrôle de limite. Une fois que la température descend en dessous de cette valeur de réglage et que le thermostat mural continue à demander du chauffage, le ventilateur de combustion se remet en marche. La valeur de 200° est une limite préétablie en usine pour le ventilateur de combustion et ne doit jamais être modifiée. Cela pourrait entraîner des températures excessives dans la boîte à combustion et endommager définitivement celle-ci.

## PROCÉDURE DE CHARGEMENT DE LA FOURNAISE

### Démarrage de votre fournaise

- Pour allumer la fournaise, le thermostat mural doit être réglé à son niveau MAX afin que le ventilateur de combustion soit en MARCHE. Commencez le feu avec environ 12 livres de bois d'allumage, qui sera constitué de plusieurs petites lamelles de bois larges de 4 à 7 cm (1-1/2 à 2-1/2 po), à une profondeur d'environ 30 à 40 cm (12 à 15 po) dans la boîte à combustion. Laissez la porte de chauffage du combustible légèrement ouverte pour assurer un bon allumage du bois. Assurez-vous que le ventilateur de combustion est en MARCHE et que son registre est fermé, puis tirez sur le bouton/boucle à l'avant de l'unité pour ouvrir les régulateurs de tirage barométrique.
- Une fois que le bois d'allumage est complètement enflammé, ajoutez 12 à 15 livres de bois d'allumage, soit environ la même quantité que la charge initiale.
- Laissez la porte légèrement ouverte pendant trois à cinq minutes (3 à 5 min) pour permettre l'allumage complet de la deuxième charge de bois d'allumage.
- Une fois que la deuxième charge de bois d'allumage est entièrement allumée, vous pouvez fermer la porte et repositionner le bouton/boucle situé à l'avant de l'unité pour permettre aux régulateurs de tirage barométrique de fonctionner librement. Après quinze minutes, ouvrez complètement le clapet du ventilateur de combustion.
- Au moment où le bois d'allumage a brûlé jusqu'à environ 8 livres, ce qui devrait être le point où le bois d'allumage se décompose en un lit complet de charbons, la précharge peut être ajoutée dans la boîte à combustion. La précharge doit être constituée d'environ 40 livres de bois de corde bien sec, ce qui représente environ 6 à 8 pièces de bois.
- La porte doit être fermée après le chargement de la précharge et le ventilateur de combustion doit être allumé.
- Laissez environ une heure (1 h) que la précharge se consume jusqu'à environ 10 à 12 livres ou lorsque tout le bois de la précharge se décompose en charbons. Vous devriez maintenant avoir un lit de braises de plusieurs pouces de profondeur au fond de la boîte à combustion.
- L'objectif de la combustion de précharge est d'établir un lit de braises approprié avant d'insérer la charge principale de bois. Un lit de braises approprié est la clé d'un allumage complet de la charge de bois principale et du maintien de températures correctes dans la boîte à combustion pour obtenir les meilleures émissions et le meilleur rendement de la fournaise.
- Après avoir effectué la combustion de précharge, vous pouvez insérer votre charge principale de bois de chauffage. La charge principale doit être de la même taille ou quantité que la précharge, soit environ 40 livres de bois de corde ou 6 à 8 pièces.
- Essayez de maintenir des espaces entre les morceaux de bois pour faciliter l'allumage et maintenir un bon feu.

à brûler, il suffit de vérifier les extrémités des pièces. Si des fentes rayonnent dans toutes les directions à partir du centre, le bois est sans doute assez sec pour être brûlé. Si votre bois grésille quand il brûle, même si la surface est sèche, il n'est peut-être pas entièrement sec et doit être laissé à sécher plus longtemps. Il est **EXTRÊMEMENT IMPORTANT** d'utiliser uniquement du BOIS SEC dans votre poêle à bois. Le bois doit avoir séché pendant 9 à 15 mois afin que la teneur en humidité (en poids) soit réduite à moins de 20 % du poids de la bûche. Il est très important de garder à l'esprit que même si le bois est coupé depuis un, deux ou même trois ans, il n'est pas nécessairement sec et a peut-être été entreposé dans des conditions médiocres. Sous des conditions extrêmes, il peut pourrir au lieu de sécher. On ne saurait trop insister sur ce point : la grande majorité des problèmes liés au fonctionnement d'un poêle à bois sont dus à l'utilisation d'un bois trop humide ou séché dans de mauvaises conditions. Ces problèmes peuvent être :

- problèmes d'allumage
- accumulation de créosote causant des feux de cheminée
- faible rendement énergétique
- noircissement des fenêtres
- combustion incomplète des bûches

## Ne brûlez pas de bûches fabriquées de sciure de bois imprégnée de cire ou des bûches contenant des additifs chimiques.

### TESTER VOTRE BOIS

- Une fois la fournaise bien réchauffée, placez un morceau de bois fendu (environ 12,7 cm/5 po de diamètre) parallèle à la porte sur le lit de braises rouges.

- Réglez toutes les commandes d'air au maximum et fermez la porte. Le bois a séché de manière appropriée s'il s'allume dans les 90 secondes après qu'il soit placé dans la fournaise. Si l'allumage est plus long, votre bois est humide.

Si votre bois siffle et que de l'eau ou de la vapeur s'échappe aux extrémités du morceau, votre bois est trempé ou fraîchement coupé (vert). N'utilisez jamais ce bois dans votre poêle. De grandes quantités de créosote peuvent se déposer dans votre cheminée, créant ainsi les conditions potentielles d'un incendie de cheminée.

### PANNE D'ÉLECTRICITÉ

NE PAS ajouter de combustible lorsque survient une panne d'électricité, retirez tous les filtres à air et réduisez l'air de combustion au minimum. Gardez bien à l'œil la fournaise jusqu'à ce que l'électricité soit de retour.

### AVERTISSEMENT D'ALÉRIATION

Cette fournaise au bois a un taux de combustion bas minimum fixé par le fabricant qui ne doit pas être modifié. La réglementation fédérale interdit de modifier ce réglage ou de faire fonctionner cette fournaise au bois d'une manière non conforme aux instructions d'utilisation de ce manuel.

### EFFICACITÉS

L'efficacité peut être basée sur le pouvoir calorifique inférieur (PCI) ou le pouvoir calorifique supérieur (PCS) du combustible. Le pouvoir calorifique inférieur, c'est lorsque l'eau quitte le processus de combustion sous forme de vapeur, dans le cas des poêles à bois, c'est l'humidité dans le bois brûlé qui quitte le poêle sous forme de vapeur. Le pouvoir calorifique supérieur, c'est lorsque l'eau quitte le processus de combustion sous forme entièrement condensée. Dans le cas des poêles à bois, ceci voudrait dire que les gaz d'évacuation sont à la température de la pièce en quittant le système, et donc, les calculs utilisant cette valeur de chaleur considèrent l'élévation de la chaleur dans la cheminée comme une perte d'énergie. Ainsi, l'efficacité calculée en utilisant le pouvoir calorifique inférieur du bois sera plus élevée que celle calculée en utilisant le pouvoir calorifique supérieur. La meilleure façon d'atteindre des efficacités optimales est d'apprendre les caractéristiques de brûlage de votre appareil et du bois bien séché. Des taux de combustion plus élevés ne sont pas toujours meilleurs; après qu'un bon feu est établi, un taux de combustion plus bas peut être la meilleure option pour un chauffage efficace. Un taux de combustion plus bas ralentit la sortie du flux de chaleur utilisable hors de la maison par la cheminée, et il consomme également moins de bois.

### AVIS – BRÛLAGES INITIAUX POUR DURCIR LA PEINTURE

EN RAISON DES TEMPÉRATURES DE FONCTIONNEMENT ÉLEVÉES, CET APPAREIL EST RECOUVERT D'UNE PEINTURE SPÉCIALE HAUTE TEMPÉRATURE QUI NÉCESSITE UNE SÉRIE DE BRÛLAGES FAIBLES À MOYENS POUR DURCIR COMPLÈTEMENT AFIN D'ASSURER SA DURABILITÉ ET SA DURÉE DE VIE.

Le durcissement correct de la peinture haute température nécessite une série de trois brûlages initiaux. Il faut laisser refroidir l'appareil entre chaque brûlage. Les deux premiers brûlages doivent être de petits feux à basse température (120 °C/250 °F) d'une durée de 20 minutes chacun. Le troisième feu doit être à une température d'environ 260 °C/500 °F pendant 20 minutes. Prvoyez une ventilation transversale adéquate pour évacuer toute fumée ou odeur causée par les premiers feux.

### INSTRUCTIONS POUR LE RAVITAILEMENT EN CARBURANT

Avs : N'utilisez que du combustible à base de bois solide; Ne pas brûler de déchets, ni de liquides inflammables. N'utilisez pas de charbon. Cet appareil n'est pas conçu pour accueillir le flux d'air (tirage) nécessaire pour brûler correctement du charbon ou des produits à base de charbon. Ne surlevez pas le feu à l'aide de grilles ou de fers. Faites le feu directement sur la brique rétractaire.

## NE JAMAIS FAIRE FONCTIONNER CE PRODUIT SANS SURVEILLANCE

utilisé dans votre poêle, mais certaines variétés ont un meilleur rendement énergétique que d'autres. Des rendements plus élevés et des émissions plus faibles résultent généralement de la combustion de bois feuillus séchés à l'air par rapport aux bois tendres ou aux bois feuillus trop verts ou fraîchement coupés. Les ressources suivantes vous aideront à connaître les caractéristiques de combustion des différentes espèces de bois :

<http://firewoodsource.com/firewood-btu-ratings/>;  
ou <https://forestry.usda.gov/products/wood-heating>

L'utilisation de cette fournaise au bois d'une manière non conforme au manuel du propriétaire annulera votre garantie et elle est contraire aux règlements fédéraux. Les déchets et autres matériaux inflammables ne devraient pas être brûlés dans votre poêle. NE PAS BRÛLER :

1. des ordures;
2. des déchets de tonte ou résidus de jardin;
3. des matériaux contenant du caoutchouc, incluant les pneus;
4. des matériaux contenant du plastique;
5. des déchets de produits du pétrole, des peintures ou diluants à peinture, ou des produits d'asphalte;
6. des matériaux contenant de l'amiante;
7. des débris de construction ou de démolition;
8. des traverses de voie ferrée ou du bois traité sous pression;
9. du fumier ou des restes d'animaux;
10. du bois flotté sale ou d'autres matériaux précédemment saturés d'eau salée;
11. du bois non séché; ou
12. des produits du papier, du carton, du contreplaqué, ou du panneau de particules. L'interdiction de brûler ces matériaux n'interdit pas l'utilisation d'allume-feu fabriqués à partir de papier, de carton, de sciure de bois, de cire et de substances similaires pour allumer un feu dans une fournaise au bois conçue.

La combustion de ces matériaux peut entraîner le dégagement de fumées toxiques ou rendre la fournaise inefficace et provoquer de la fumée. Le bois mort gisant sur le sol de la forêt doit être considéré comme humide et nécessite un temps de maturation complet. On peut généralement considérer que le bois mort sur pied a séché aux 2/3 environ. De plus petits morceaux de bois sécheront plus rapidement. Toutes les bûches excédant 15,2 cm (6 po) de diamètre doivent être fendues. Le bois ne doit pas être entreposé directement sur le sol. L'air doit pouvoir circuler à travers la corde de bois. Un espace de 61 à 121,9 cm (24 à 48 po) doit être laissé entre chaque rangée de bûches, qui doivent être placées dans un endroit comportant le plus d'insollement possible. La couche externe du bois doit être protégée des éléments, mais pas la surface latérale. Pour savoir si le bois est prêt

### PRÉCAUTIONS : RISQUES D'INCENDIE DANS LA MAISON

- NE PAS ENTREPOSER LE BOIS SUR LE PROTECTEUR DE PLANCHER, SOUS LE(S) TUYAU(X) DE POÊLE OU À TOUT AUTRE ENDROIT À L'INTÉRIEUR DES DÉGAGEMENTS AUX SURFACES COMBUSTIBLES SPÉCIFIÉS POUR CET APPAREIL.
- NE JAMAIS FAIRE FONCTIONNER L'APPAREIL SI LES CONDUITS SECONDAIRES, LES PANNEAUX EN FIBRE OU L'ISOLATION ONT ÉTÉ RETIRÉS.

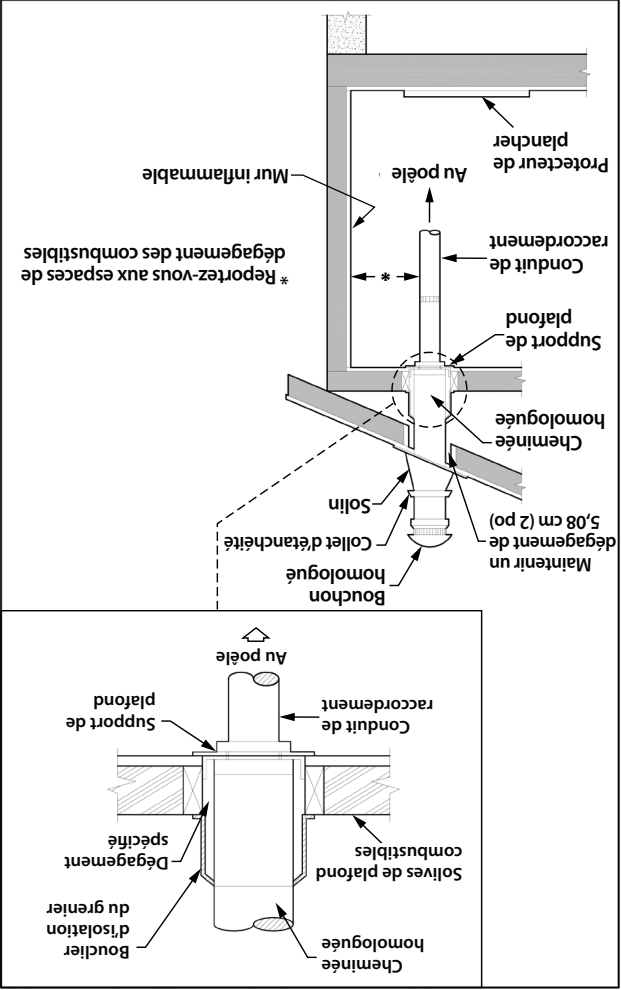
### PRÉCAUTIONS DE SÉCURITÉ PENDANT LE FONCTIONNEMENT

- NE JAMAIS SURCHAUFFER CET APPAREIL EN FAISANT DES FEUX EXCESSIVEMENT CHAUDS, CAR CELA POURRAIT PROVOQUER UN INCENDIE DANS LA MAISON OU LE BÂTIMENT. VOUS SURCHAUFFEZ L'APPAREIL S'IL COMMENCE À BRILLER OU À DEVENIR ROUGE.
- NE JAMAIS FAIRE DE FEUX TROP IMPORTANTS DANS CE TYPE D'APPAREIL CAR CELA POURRAIT ENDOMMAGER LA BOÎTE À COMBUSTION OU PROVOQUER DES FUITES DE FUMÉE.
- NE PAS FAIRE DE FEU TROP PRÈS DE LA VITRE.
- CHAUD LORSQU'IL FONCTIONNE. GARDER LES ENFANTS, LES VÊTEMENTS ET LES MEUBLES À DISTANCE. LE CONTACT PEUT ENTRAÎNER DES BRÛLURES DE LA PEAU. NE PAS TOUCHER L'APPAREIL AVANT QU'IL AIT REFFROIDI.
- FOURNIR UN AIR SUFFISANT POUR LA COMBUSTION DANS LA PIÈCE OÙ L'APPAREIL EST INSTALLÉ.
- INSPECTER LA DOUBLURE DE CHEMINÉE TOUS LES 60 JOURS. REMPLACER IMMÉDIATEMENT LA DOUBLURE SI ELLE ROUILLE OU SI ELLE LAISSE ÉCHAPPER DE LA FUMÉE DANS LA PIÈCE.
- LES TENTATIVES D'ATTEINDRE DES TAUX DE PUISSANCE CALORIFIQUE QUI DÉPASSENT LES SPÉCIFICATIONS DE CONCEPTION DE LA FOURNAISE PEUVENT ENTRAÎNER DES DOMMAGES PERMANENTS À LA FOURNAISE.

### AVERTISSEMENT : RISQUE D'EXPLOSION

- NE JAMAIS UTILISER DE PRODUITS CHIMIQUES, D'ESSENCE, DE COMBUSTIBLE POUR LANTERNE DE TYPE ESSENCE, DE KÉROSÈNE, D'ALLUME-FEU POUR CHARBON DE BOIS OU DE LIQUIDES INFLAMMABLES SIMILAIRES POUR ALLUMER OU « RAFFRAÎCHIR » UN FEU DANS L'APPAREIL.
- GARDER TOUS LES LIQUIDES INFLAMMABLES, EN PARTICULIER L'ESSENCE, HORS DE LA PROXIMITÉ DE L'APPAREIL, QU'IL SOIT UTILISÉ OU ENTREPOSÉ.

Votre appareil de chauffage a été conçu pour brûler uniquement du bois naturel bien sec; aucun autre matériau ne doit être brûlé. Tout type de bois naturel bien séché peut être



Le tuyau doit être court et droit. Toutes les sections installées à l'horizontale doivent avoir une pente d'au moins 6 mm (1/4 po) sur 305 mm (1 pi), avec l'extrémité supérieure de la section orientée vers la cheminée. Toute installation avec un tuyau de fournaise à course horizontale doit être conforme à NFPA 211. Vous pouvez contacter la NFPA (National Fire Protection Association) et demander les plus récentes normes NFPA 211.

Pour assurer un bon tirage, la longueur totale du tuyau de la fournaise ne doit pas dépasser 2,4 à 3,04 m (8 à 10 pi). (Sauf en cas d'installation verticale, où le système d'évacuation de la fumée d'un toit de style cathédrale peut être beaucoup plus long et se brancher sans problème à la cheminée du plafond de la pièce.)

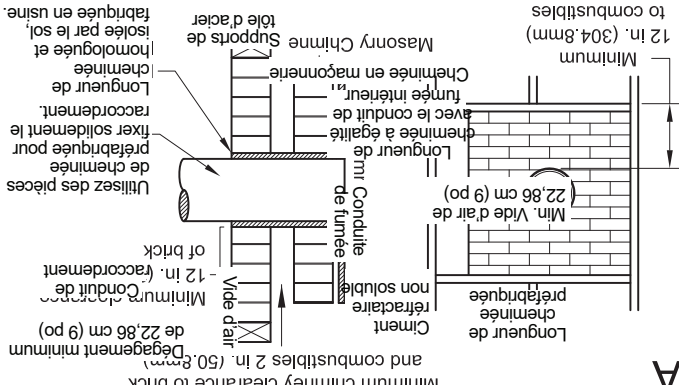
Il ne devrait jamais y avoir plus de deux coudes à 90 degrés dans le système d'évacuation de la fumée. L'installation d'un « stabilisateur de tirage barométrique » (registre du foyer) sur un système d'évacuation de la fumée est interdite.

Ne pas utiliser avec un registre de tirage clapet. Avec les fournaises à combustion contrôlée, le tirage est réglé à l'entrée de l'air de combustion dans la fournaise et non à l'évacuation.

## CHEMINÉE PRÉFABRIQUÉE

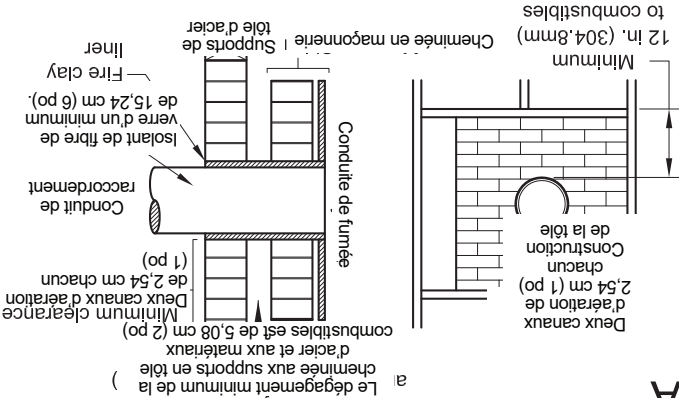
L'utilisation d'une cheminée préfabriquée en métal exige le respect des instructions d'installation du fabricant. Vous devez aussi acheter (après du même fabricant) et installer l'ensemble du support de plafond ou un manchon de raccordement et une section en « T », des pare-feu (là où requis), un écran d'isolation, un solin de toit, un chapeau de cheminée, etc. Maintenez les dégagements adéquats par rapport à la construction, comme recommandé par le fabricant. La cheminée doit s'élever au-dessus du toit ou d'autres obstructions, pour la sécurité et le bon tirage.

Le dégagement minimum de la cheminée par rapport à la brique et les matériaux inflammables est de 5,08 cm (2 po). Minimum chimney clearance to brick and combustibles 2 in. (50,8 mm)



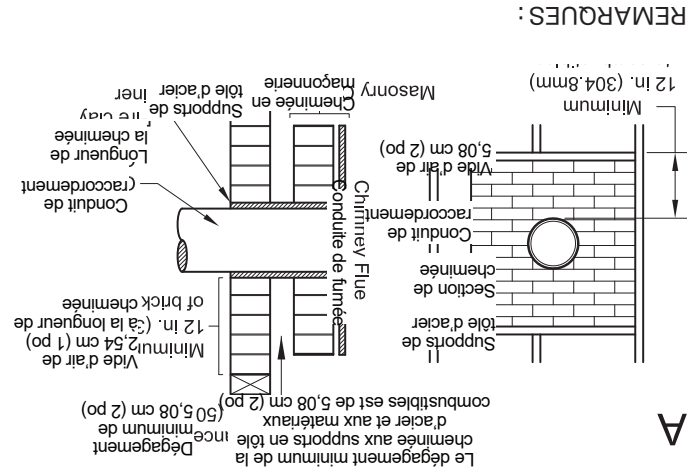
**MÉTHODE C -** Espace de dégagement de 15,24 cm (6 po) par rapport à l'élément du mur combustible : En commençant avec un gabarit minimal 24 (0,24 po/6,1 cm), un conduit de feu mural ventilé d'un gabarit 24 minimum, qui possède deux canaux d'air de 1 po (2,54 cm) chacun, construissez un manchon intramural. Une aire de séparation avec un isolant en fibre de verre d'un minimum de 15,24 cm (6 po) devra séparer la surface externe du coupe-feu mural et les matériaux combustibles. Supporter le coupe-feu mural, et couvrez les extrémités avec un support en tôle métallique de gabarit 24. Maintenez l'espace de 15,24 cm (6 po). Il faudra aussi que le support soit d'une taille adaptée au conduit de raccordement en métal. Veillez à ce que les supports soient solidement fixés aux surfaces murales sur tous les côtés. Assurez-vous que les attaches sont sécurisées au conduit de raccordement métallique et qu'elles ne pénètrent pas la doublure du conduit de fumée.

**MÉTHODE D -** Dégagement de 5,08 cm (2 po) par rapport à l'élément du mur combustible : Commencez par une section d'une cheminée solid-pak préfabriquée homologuée d'au moins 30,4 cm (12 po), avec un isolant de 2,54 cm (1 po) ou plus, et au diamètre interne de 20,3 cm (8 po) (soit 5,1 cm [2 po] de plus que le conduit de raccordement de 15,24 cm [6 po]). Utilisez ceci comme passage mural pour un conduit de raccordement en métal à simple paroi d'un calibre minimum 24. Gardez la section solid-pak concentrée et espacée de 2,54 cm (1 po) du conduit de raccordement de la cheminée par des plaques de tôle métallique aux extrémités de la section de la cheminée. Couvrez les ouvertures et la section de support de la cheminée aux extrémités; utilisez des supports de tôle



à l'élément du mur combustible : Commencez par une section d'une cheminée solid-pak préfabriquée homologuée d'au moins 30,4 cm (12 po), avec un isolant de 2,54 cm (1 po) ou plus, et au diamètre interne de 20,3 cm (8 po) (soit 5,1 cm [2 po] de plus que le conduit de raccordement de 15,24 cm [6 po]). Utilisez ceci comme passage mural pour un conduit de raccordement en métal à simple paroi d'un calibre minimum 24. Gardez la section solid-pak concentrée et espacée de 2,54 cm (1 po) du conduit de raccordement de la cheminée par des plaques de tôle métallique aux extrémités de la section de la cheminée. Couvrez les ouvertures et la section de support de la cheminée aux extrémités; utilisez des supports de tôle

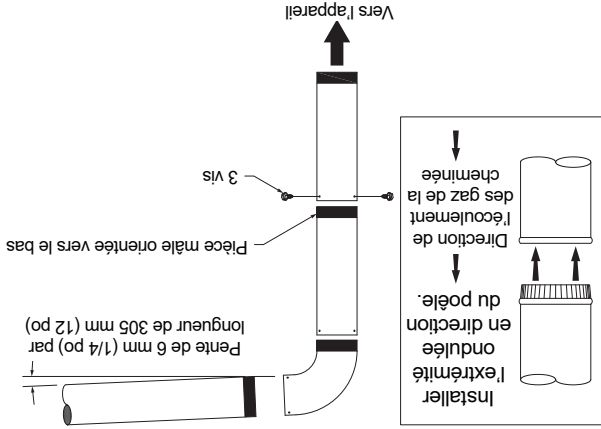
métallique de gabarit 24. Veillez à ce que les supports soient solidement fixés aux surfaces murales sur tous les côtés. Assurez-vous que les attaches utilisées pour fixer le conduit de cheminée ne pénètrent pas dans le revêtement intérieur.



**REMARQUES :**

- Les connecteurs d'une cheminée de maçonnerie, à l'exception de la méthode B, doivent traverser en section continue le système de passage intramural et le mur de la cheminée, sans toutefois dépasser la surface de la doublure ou un espace un vide de construction.

**CONDUIT DE RACCORDEMENT DE LA CHEMINÉE**



Votre conduit de raccordement et la cheminée doit être du même diamètre que la sortie de la fournaise. Si ce n'est pas le cas, nous vous suggérons de contacter votre revendeur afin de vous assurer qu'il n'y aura pas de problème de tirage. La conduite de la fournaise est en acier aluminé ou laminé à froid, d'une épaisseur minimale de 0,53 mm (0,021 po). Il est strictement interdit d'utiliser de l'acier galvanisé.

Votre raccord doit être assemblé de manière à ce que la section mâle (extrémité ondulée) soit orientée vers le bas. Attachez chaque section les unes aux autres avec trois vis autotaraudeuses, à égale distance. Scellez chaque joint avec du ciment à calorifère.



spéciales sont expliquées à la section « Passage pour conduit de raccordement dans un mur combustible ».

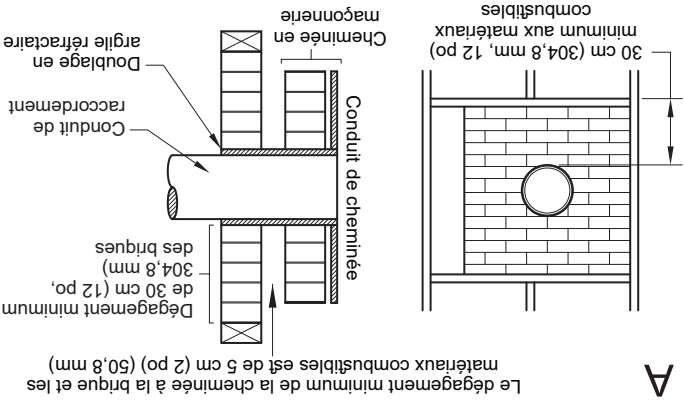
## NE PAS BRÂNCHER CETTE FOURNAISE À UN CONDUIT DE FUMÉE UTILISÉ PAR UN AUTRE APPAREIL.

### AVERTISSEMENT :

## PASSAGE POUR CONDUIT DE RACCOR-

## DÉMENT DANS UN MUR COMBUSTIBLE

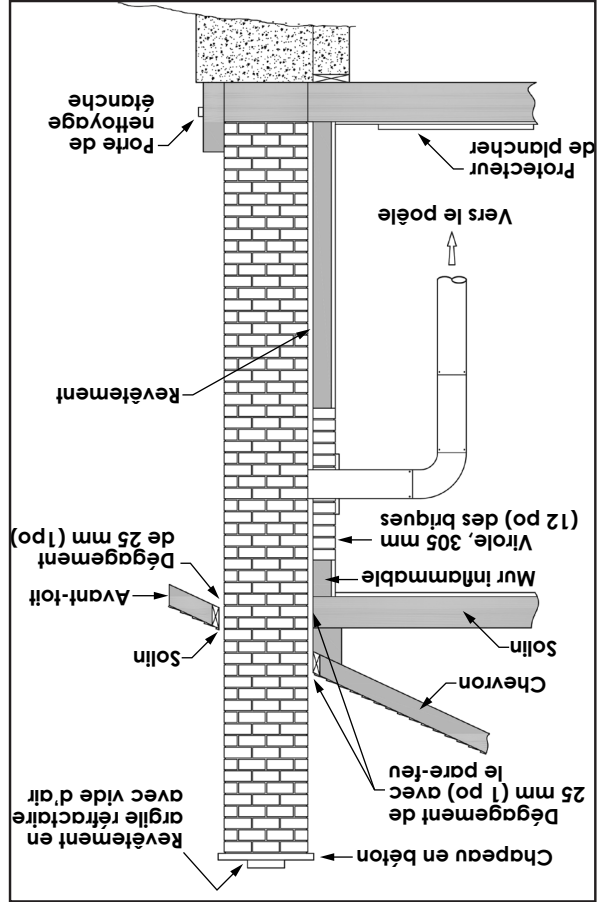
**MÉTHODE A** - Dégagement de 30,48 cm (12 po) par rapport à l'élément du mur combustible : En utilisant une épaisseur minimale de la brique de 89 mm (3,5 po) et une épaisseur minimale de la paroi du boisseau en argile de 15,9 mm (5/8 po), construisez un manchon de raccordement. Le boisseau d'argile doit respecter la norme ASTM C315 (normes de spécification des boisseaux d'argile réfractaire) ou son équivalent. Maintenez un minimum de 30,48 cm (12 po) de brique entre le boisseau d'argile et les matériaux combustibles du mur. Le boisseau d'argile doit passer de la surface extérieure du brique à la surface intérieure du doublage du conduit de fumée, sans dépasser la surface intérieure. Coulez ou cimentez fermement le boisseau d'argile à la doublure du conduit de fumée.



**MÉTHODE B** - Espace de dégagement de 22,86 cm (9 po) par rapport à l'élément du mur combustible : En utilisant un diamètre interne de 15,24 cm (6 po), la section de la cheminée préfabriquée Solid-Pak homologuée avec un isolant de 2,54 cm (1 po) ou plus, construisez un manchon de raccordement avec un espace minimal de 22,86 cm (9 po) entre le mur extérieur de la longueur de cheminée et les matériaux combustibles du mur. Utilisez des supports de tôle métallique fermement fixés aux surfaces murales sur tous les côtés afin de maintenir un espace d'air de 22,86 cm (9 po). Lorsque vous fixez les supports à la longueur de la cheminée, faites attention de ne pas perforer la doublure de la cheminée (le mur intérieur de la cheminée Solid-Pak). L'extrémité interne de la section de la cheminée Solid-Pak doit être ajustée à l'intérieur du conduit de fumée en maçonnerie, et être scellée avec un ciment réfractaire soluble à base d'un autre liquide que l'eau. Utilisez également ce ciment pour sceller la perforation dans le briqueage.

de l'appareil et du conduit de raccordement. Un brûlage incontrôlable ou une température excessive indiquent un tirage excessif. Ne pas utiliser si le tirage de la cheminée dépasse 0,06 pouce d'eau/14,93 pascals. Le tirage peut être vérifié à l'aide d'un indicateur de tirage ou un manomètre. Tenez compte de l'emplacement de la cheminée pour vous assurer qu'elle n'est pas trop proche des voisins ou dans une vallée pouvant provoquer des conditions insalubres ou des nuisances.

## CHEMINÉE EN MAÇONNERIE



**SI VOUS UTILISEZ UNE CHEMINÉE EN MAÇONNERIE, ASSUREZ-VOUS QU'ELLE EST CONSTRuite DE MANIÈRE SÉCURITAIRE ET EN BON ÉTAT. FAITES VÉRIFIER LA CHEMINÉE PAR LE SERVICE DES INCENDIES OU PAR UN INSPECTEUR.**

### ATTENTION :

Veillez à ce que la cheminée respecte les normes minimales de la National Fire Protection Association (NFPA), en la faisant inspecter par un professionnel. La cheminée ne doit pas comporter de fissures, de mortier détaché ni d'autres signes de détérioration et d'obstruction. Nettoyez la cheminée avant d'installer et de faire fonctionner la fournaise. En cas de raccordement de la fournaise avec une cheminée en maçonnerie à travers un mur combustible, des méthodes

## RÉSEAU DE GAINES

Nous vous recommandons fortement de faire installer le réseau de gaines d'air chaud par un spécialiste en chauffage résidentiel. Au cas où vous feriez l'installation vous-même, consultez un technicien de chauffage qualifié et suivez ses recommandations concernant la méthode d'installation la plus sûre et la plus efficace.

## AIR SOUFFLÉ

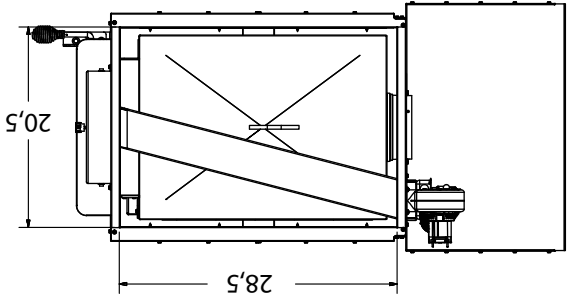
Le conduit d'air soufflé doit être fabriqué en métal, conformément à la norme NFPA 90B, 2-1.1. Les chambres de répartition installées dans la fournaise doivent être fabriquées en métal, en conformité avec NFPA 90B, 2-1.3. En installant cette fournaise, la chambre de répartition de l'air soufflé doit avoir une hauteur minimale de 61 cm (24 po) si le haut de la première section verticale n'est pas à niveau avec le haut de la première section horizontale du réseau de gaines. Si le haut de la chambre de répartition est à niveau avec le haut de la première section horizontale du réseau de gaines, alors la hauteur minimale est de 38,1 cm (15 po).

## RETOUR D'AIR

La prise de retour d'air de la fournaise se trouve à l'arrière de l'unité. Le réseau de gaines doit être attaché mécaniquement à l'unité ou à la boîte de soufflage avec des vis autotaraudeuses pour assurer un bon fonctionnement.

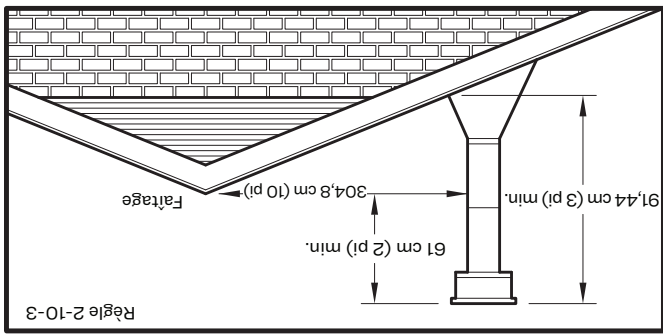
## INSTALLATION INDIVIDUELLE

Lors de l'installation de cette fournaise indépendante, respectez tous les codes locaux et toutes les instructions de ce manuel, y compris le déchargement par rapport aux combustibles, les spécifications du protecteur de plancher et les avertissements de sécurité.



Taille de la sortie du réseau de gaines de distribution d'air

## CHEMINÉE PRÉFABRIQUÉE HOMOLOGUÉE



Votre fournaise au bois peut comporter une cheminée préfabriquée ou en maçonnerie, s'agissant au diamètre de l'évacuation. Si vous utilisez une cheminée préfabriquée, elle doit respecter la norme UL 103 ou CSA-B365 et être de type HT (649 °C – 2100 °F). Il est très important qu'elle soit installée selon les spécifications du fabricant.

Si vous utilisez une cheminée en maçonnerie, il est important qu'elle ait été construite selon les spécifications du Code national du bâtiment. Elle doit être doublée avec un boisseau d'argile réfractaire, du métal ou des tuiles d'argile scellées ensemble avec un ciment réfractaire. (Les conduits ronds sont les plus efficaces.)

Le diamètre intérieur du conduit de fumée doit être identique au conduit d'évacuation des gaz de la fournaise. Un conduit trop petit pourrait causer des problèmes de tirage, alors qu'un conduit plus grand favoriserait le refroidissement rapide des gaz, entraînant l'accumulation du crésote et le risque d'incendie de cheminée. À noter que la cheminée, et non la fournaise, crée l'effet de tirage; le rendement de votre fournaise dépend directement du tirage adéquat par votre cheminée.

Ne branchez pas cette unité à une cheminée utilisée par un autre appareil.

Les recommandations suivantes peuvent être utiles à l'installation de votre cheminée :

- Elle doit s'élever au-dessus du toit à au moins 90 cm (3 pi) à partir du point de contact le plus élevé.
- La partie extérieure du conduit doit être à double ou triple paroi pour assurer un tirage adéquat.
- La cheminée doit dépasser toute partie de l'immeuble ou autre obstruction, dans une distance de 3,04 m (10 pi) par une hauteur de 61 cm (2 pi).

- L'installation d'une cheminée intérieure est toujours préférable à une cheminée extérieure. La cheminée intérieure se réchauffera plus rapidement que l'extérieure qui est refroidie par l'air ambiant hors de la maison. Le gaz y circulant se refroidira donc plus lentement, réduisant l'accumulation de crésote et le risque d'incendie de cheminée.
- Le tirage causé par la tendance à l'air chaud de s'élever sera augmenté par une cheminée intérieure.

- Utiliser un pare-feu à l'extrémité de la cheminée exige une inspection régulière pour s'assurer qu'il n'est pas obstrué et ne réduit pas le tirage; il doit être nettoyé en cas d'utilisation régulière.

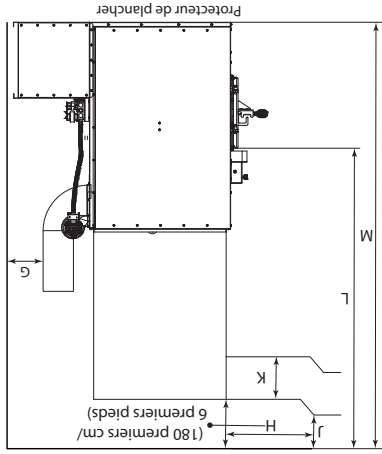
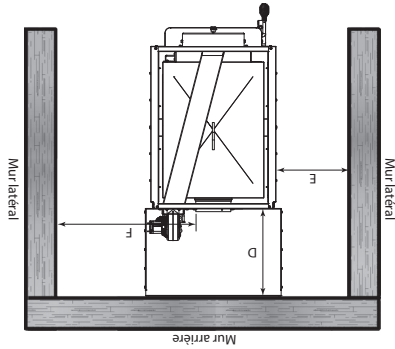
## IMPORTANT D'UN TIRAGE ADEQUAT

Le tirage est la force qui déplace l'air de l'appareil vers la cheminée. La quantité de tirage dans votre cheminée dépend de sa longueur, de son emplacement géographique local, des obstructions à proximité et d'autres facteurs. L'excès de tirage peut causer des températures excessives dans l'appareil. Un tirage inadéquat peut causer des retours de fumée dans la pièce et l'obstruction de la cheminée. Un tirage inadéquat causera des fuites de fumée dans la pièce, à travers les joints

**POUR LE SERVICE À LA CLIENTÈLE, APPELEZ : 800 750-2723 POSTE 5050**

installée comme une fournaise au bois autonome uniquement. Consultez la section d'installation de ce manuel pour vous assurer que l'assemblage, l'installation et le fonctionnement de votre nouvelle fournaise sont corrects. En cas d'installation dans une zone équipée d'un ventilateur, celui-ci ne doit pas créer de pression négative dans la pièce où la fournaise est installée. Assurez-vous que les dégagements nécessaires à l'entretien sont respectés lors de la localisation de votre fournaise. Votre fournaise doit être installée comme indiqué dans le présent manuel et en conformité avec tous les codes locaux et nationaux. Il est de la plus grande importance que les dégagements par rapport aux matériaux combustibles soient strictement respectés à l'installation de la fournaise. Veuillez vous référer au tableau et aux schémas ci-dessous quant aux dégagements minimaux requis.

Dimension	Pouces	mm
D	26	661
E	16	407
F	25	635
G	18	458
H	6	153
J	2	51
K	8	204
L	48	1220
M	75	1905



**NATIONAL FIREPLACE INSTITUTE**

à bois soient installés et entretenus par des professionnels certifiés aux États-Unis par le National Fireplace Institute (NFI) en tant que spécialiste du chauffage au bois NFI ou certifiés au Canada par le programme de formation technique en énergie

**CERTIFIED**

www.nficertified.org

**Wood Energy Technical Training**

www.wettinc.ca/

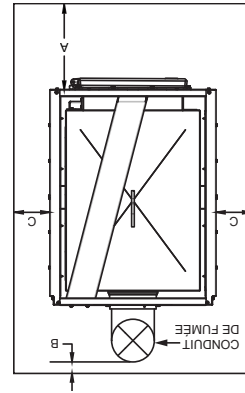
US Stove recommande vivement que votre cuisinière soit installée par un(e) technicien(ne) qualifié(e) NFI (États-Unis) ou WETT (Canada). Pour trouver l'installateur(trice) qualifié(e) le(a) plus proche de chez vous, consultez :

<https://nficertified.org>,  
<https://www.wettinc.ca/>

## PROTECTEUR DE PLANCHER

La fournaise doit être placée sur du béton plein, de la maçonnerie pleine ou, si installée sur un plancher combustible, sur un protecteur de plancher. Le protecteur de plancher est requis pour offrir une protection contre la chaleur, les braises et cendres chaudes; il doit être incombustible, d'une surface pleine et continue afin d'empêcher l'infiltration de braises et cendres chaudes. La protection du sol doit comporter une valeur « R » d'au moins 1,4. Reportez-vous aux instructions du fabricant du protecteur de plancher pour les directives d'installation. Le protecteur de plancher ou plancher incombustible doit se prolonger sous la fournaise et de chaque côté comme indiqué ci-dessous.

Dimension	Pouces	mm
A	24	609,6
B	2	50,8
C	8	203,2



## DÉGAGEMENTS PAR RAPPORT AUX MATÉRIAUX COMBUSTIBLES

L'installation de cette fournaise comprend l'alimentation électrique, un réseau de gaines de retour d'air et un réseau de gaines d'alimentation en air. Cette fournaise peut être

**ATTENTION :**

- LE NON-RESPECT DES INFORMATIONS CONTENUES DANS CE MANUEL CONSTITUE UN DANGER QUI PEUT ENTRAÎNER LA MORT, DES BLESSURES CORPORELLES GRAVES ET/OU DES DOMMAGES MATÉRIELS.
- VÉRIFIEZ VOS RÉGLEMENTS LOCAUX. L'INSTALLATION DOIT EN RESPECTER LES RÈGLES.
- TOUJOURS RACCORDER CETTE FOURNAISE À UNE CHEMINÉE ET LA VENTILER À L'EXTÉRIEUR. NE JAMAIS VENTILER DANS UNE AUTRE PIÈCE OU À L'INTÉRIEUR D'UN BÂTIMENT.

- NE RACCORDEZ PAS CETTE FOURNAISE À UN ÉVENT À GAZ DE TYPE B EN ALUMINIUM. C'EST DANGEREUX ET INTERDIT PAR LE NATIONAL FIRE PROTECTION ASSOCIATION CODE. CETTE FOURNAISE REQUIERT UNE CHEMINÉE EN MAÇONNERIE OU UNE CHEMINÉE PRÉFABRIQUÉE HOMOLOGUÉE POUR LES APPAREILS DE CHAUFFAGE DE TYPE RÉSIDENTIEL OU DE BÂTIMENT. UTILISEZ UNE CHEMINÉE SUFFISAMMENT HAUTE POUR PROCURER UN BON TIRAGE.

- INSPECTEZ LE CONDUIT DE RACCORDEMENT ET LA CHEMINÉE AVANT ET FRÉQUEMMENT PENDANT LA SAISON DE CHAUFFAGE POUR DÉTECTER TOUT DÉPÔT DE CRÉOSOTE OU DE SUIE DEVANT ÊTRE ÉLIMINÉ.
- FOURNIR DE L'AIR POUR LA COMBUSTION DANS LA PIÈCE OÙ SE TROUVE LA FOURNAISE. SI LA PRISE D'AIR N'EST PAS DANS LA MÊME PIÈCE, L'AIR DOIT LIBREMENT Y ACCÉDER.
- LES PIÈCES EN FONTE DOIVENT ÊTRE « RÔDÉES » POUR ÉVITER LES FISSURES, NE FAITES QUE DE PETITS FEUX LORS DE LA PREMIÈRE UTILISATION.
- POUR ÉVITER LES BLESSURES, NE LAISSEZ PERSONNE UTILISER CETTE FOURNAISE S'IL N'EN CONNAÎT PAS L'UTILISATION CORRECTE.

**ATTENTION**

LES GAZ PROVOQUÉS PAR LE BOIS FRAIS DOIVENT ÊTRE BRÛLÉS, SINON ILS S'ACCUMULENT ET EXPLOSENT. N'ÉTOUFFEZ JAMAIS UN FEU LORSQUE VOUS AJOUTEZ DU BOIS FRAIS.

**DANGER : RISQUE D'INCENDIE OU D'EXPLOSION.**

NE PAS BRÛLER D'ORDURES, D'ESSENCE, D'HUILE DE VIDANGE OU D'AUTRES LIQUIDES INFLAMMABLES.

**AVERTISSEMENT : RISQUE D'INCENDIE.**

- NE PAS FAIRE FONCTIONNER SI LE TIRAGE DU FEU DÉPASSE 0,06 po W.C.
- NESTOKEZ PAS DE CARBURANTS, DE PEINTURES, DE DILUANTS, DE LIQUIDES INFLAMMABLES OU D'AUTRES SUBSTANCES HAUTEMENT VOLATILES DANS LA SALLE DE LA FOURNAISE.

**ATTENTION!**

LE NETTOYAGE DE LA CHAMBRE DE COMBUSTION, DU TUYAU DE RACCORDEMENT ET DE LA CHEMINÉE EST PARTICULIÈREMENT IMPORTANT À LA FIN DE LA SAISON DE CHAUFFAGE POUR MINIMISER LA CORROSION PENDANT LES MOIS D'ÉTÉ CAUSÉE PAR L'HUMIDITÉ ACCUMULÉE DANS LES CENDRES RESTANTES.

**ATTENTION!**

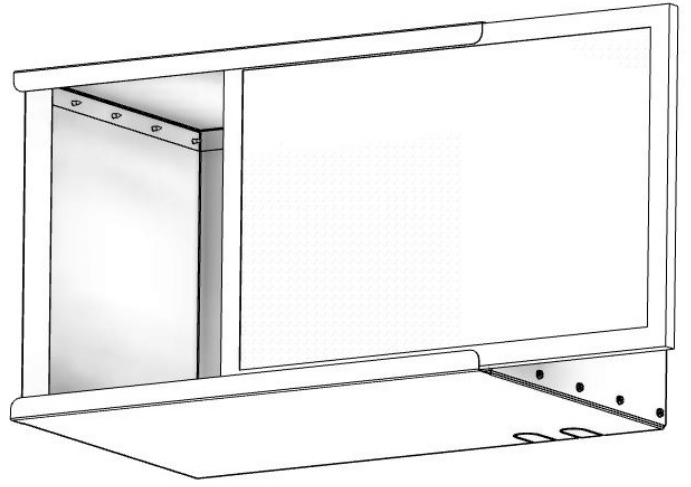
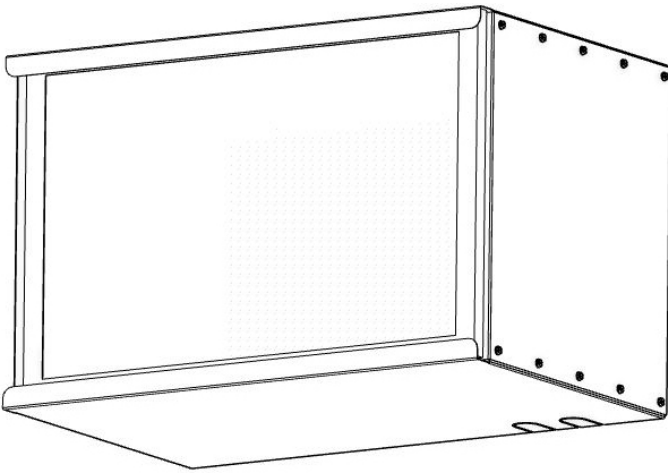
INSPECTEZ RÉGULIÈREMENT LES TUYAUX DE RACCORDEMENT, LES JOINTS DES TUYAUX DE RACCORDEMENT ET LES JOINTS D'ÉTANCHÉITÉ DES TUYAUX DE RACCORDEMENT AFIN DE VOUS ASSURER QUE LES FUMÉES ET LES GAZ DE COMBUSTION NE SONT PAS ASPIRÉS DANS LE SYSTÈME DE CIRCULATION D'AIR ET NE CIRCULENT PAS DANS CELUI-CI.

**AVIS DE SÉCURITÉ :**

L'INSTALLATION INADÉQUATE DE CETTE FOURNAISE PEUT PROVOQUER UN INCENDIE DANS LA MAISON. POUR VOTRE SÉCURITÉ, RESPECTEZ LES INSTRUCTIONS D'INSTALLATION. COMMUNIQUEZ AVEC LES RESPONSABLES EN BÂTIMENT OU LE SERVICE D'INCENDIE LOCAL DE VOTRE SECTEUR AU SUJET DES RESTRICTIONS ET EXIGENCES D'INSPECTION À L'INSTALLATION DE VOTRE RÉGION. SI CE N'EST DÉJÀ FAIT, NOUS RECOMMANDONS L'INSTALLATION DE DÉTECTEURS DE FUMÉE.

**ATTENTION :**

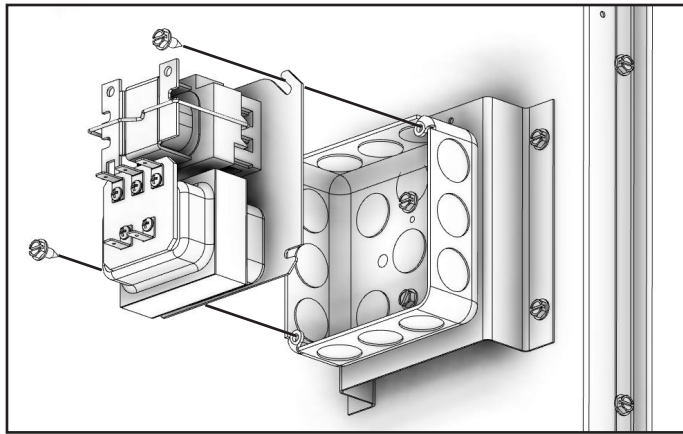
**SURFACES CHAUDES! TENEZ LES ENFANTS ÉLOIGNÉS. NE PAS TOUCHER PENDANT LE FONCTIONNEMENT.**



Insérez un filtre à air 16 x 24 x 1 (non inclus).

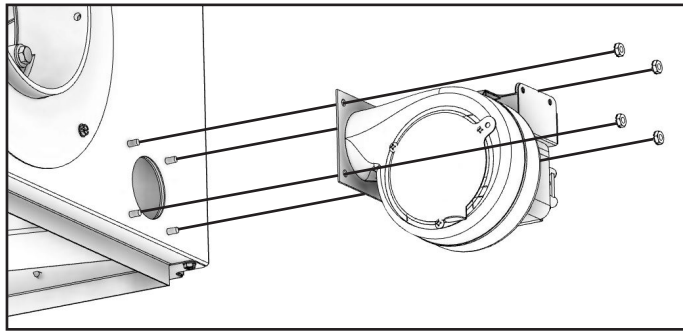
**REMPACEMENT DU FILTRE À AIR**

Fixez le centre du ventilateur à la boîte de jonction à l'aide des deux (2) vis fournies, comme indiqué.



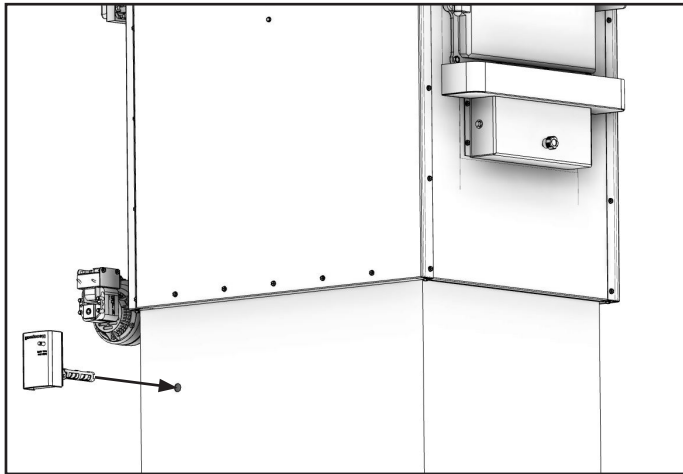
## VENTILATEUR DE TIRAGE

Fixez le ventilateur de tirage sur le côté arrière supérieur gauche de l'appareil à l'aide des quatre (4) écrous Kep 10-24 fournis.

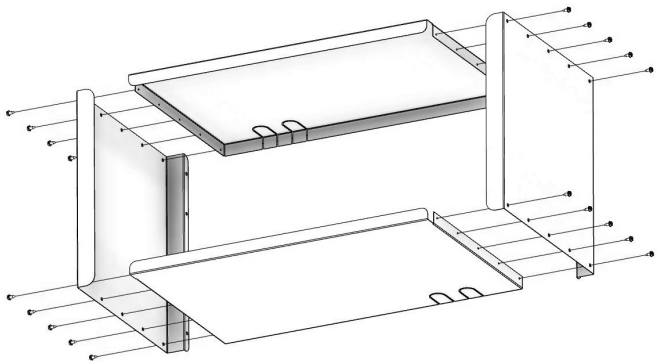


## SONDE HONEYWELL

Installez la sonde Honeywell dans le réseau de gaines au-dessus de l'unité. REMARQUE : Le conduit est fourni à une longueur prédéterminée d'environ 1 mètre (3 pi)

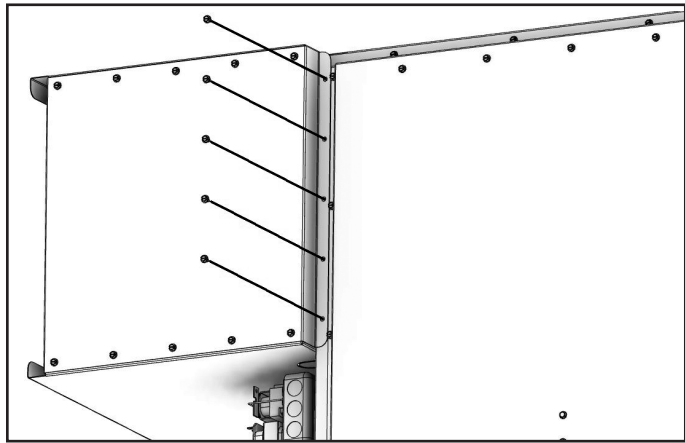
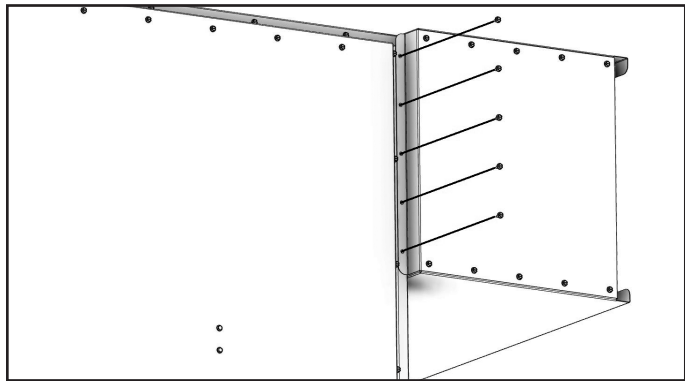


**BOÎTIER DE FILTRE**  
Le boîtier de filtre est composé de 4 pièces, plus tout le matériel nécessaire à l'assemblage.  
Assemblez les côtés, le haut et le bas du boîtier de filtre à l'aide de vingt (20) vis n° 10 A x 1/2 HX.

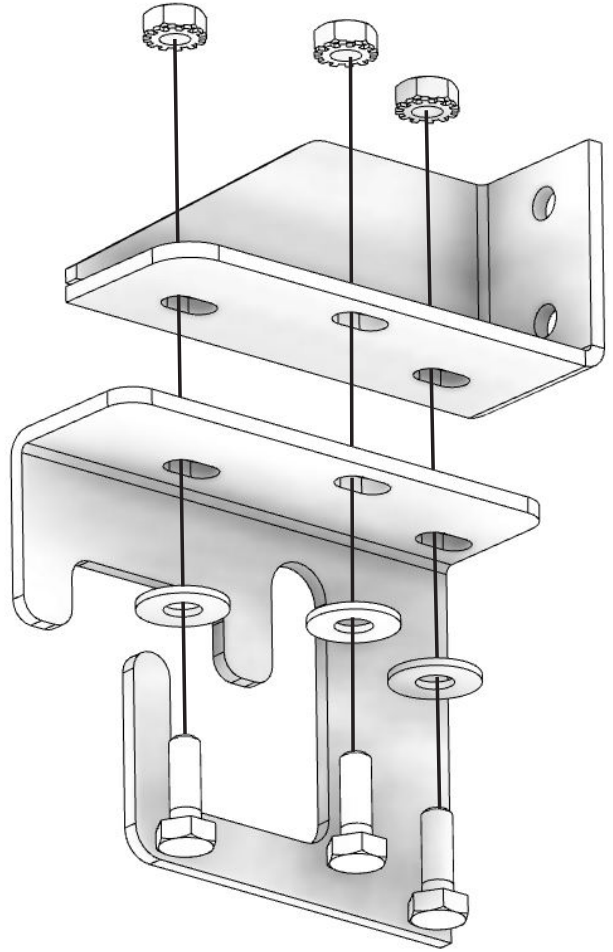


Si vos câbles BX ne s'agencent pas avec l'arrangement précédent du haut, mesurez soigneusement et pratiquez une encoche pour accommoder votre arrangement particulier de câbles BX. Il existe différentes configurations.

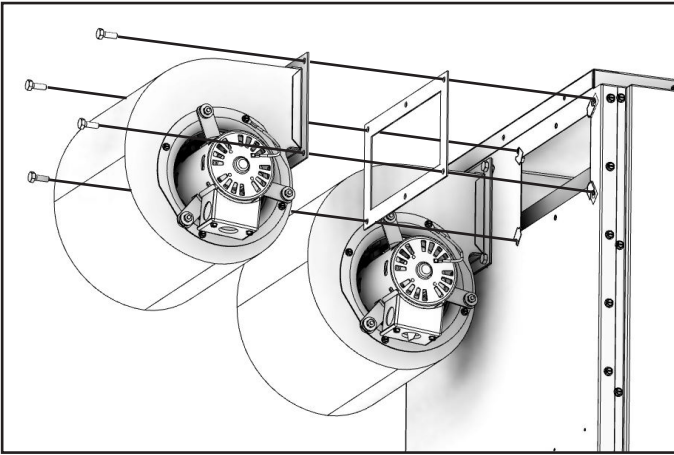
Fixez le boîtier de filtre à l'unité en utilisant un total de dix (10) vis n° 10 A x 1/2 HX, cinq (5) de chaque côté.



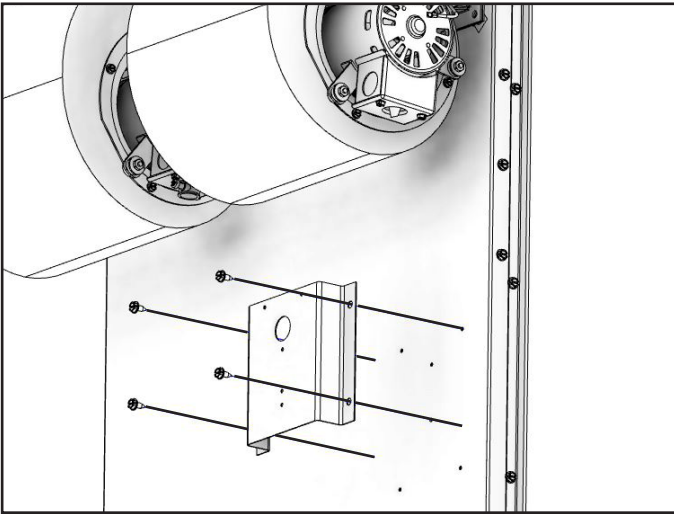
Utilisez trois (3) boulons 1/4-20 x 3/4, trois (3) rondelles et trois (3) écrous 1/4-20 pour fixer le haut du loquet au bas du loquet.



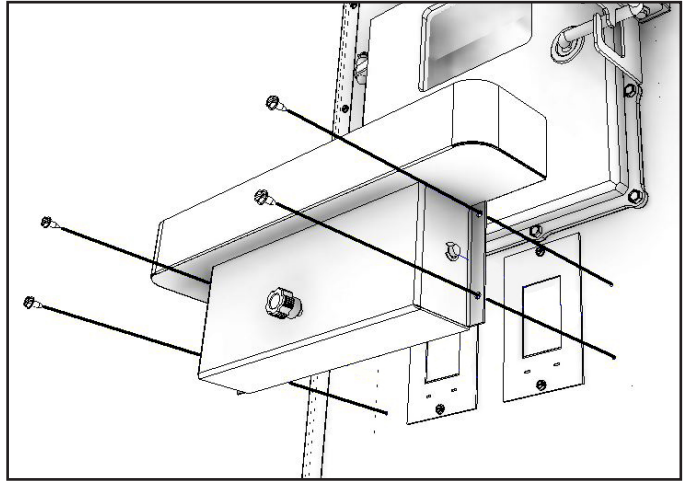
**VENTILATEURS DE DISTRIBUTION AVEC JOINTS D'ÉTANCHÉITÉ**  
Fixez les deux soufflantes et les joints à l'unité à l'aide des huit (8) boulons 1/4-20 x 3/4 fournis.



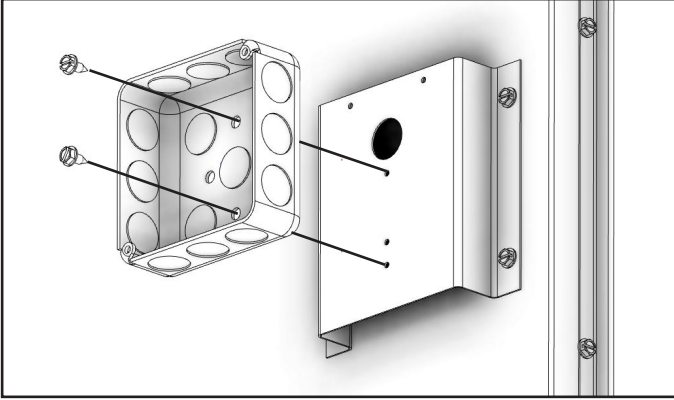
**SUPPORT DE BOÎTE DE JONCTION**  
Fixez le support de la boîte de jonction à l'unité à l'aide des quatre (4) vis n° 10A x 1/2 fournies.



**COVERCLE AVANT/HOTTE**  
Utilisez les quatre (4) vis n° 10A x 1/2 pour fixer le capot avant à l'appareil, comme illustré.



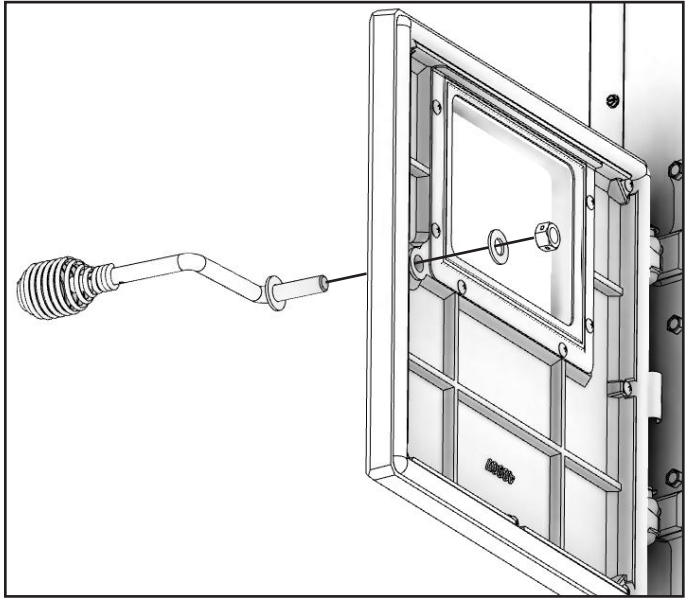
**BOÎTE DE JONCTION ET CENTRE DU VENTILATEUR**  
Fixez la boîte de jonction au support de la boîte de jonction à l'aide des deux (2) vis n° 10A x 1/2 fournies, comme indiqué.



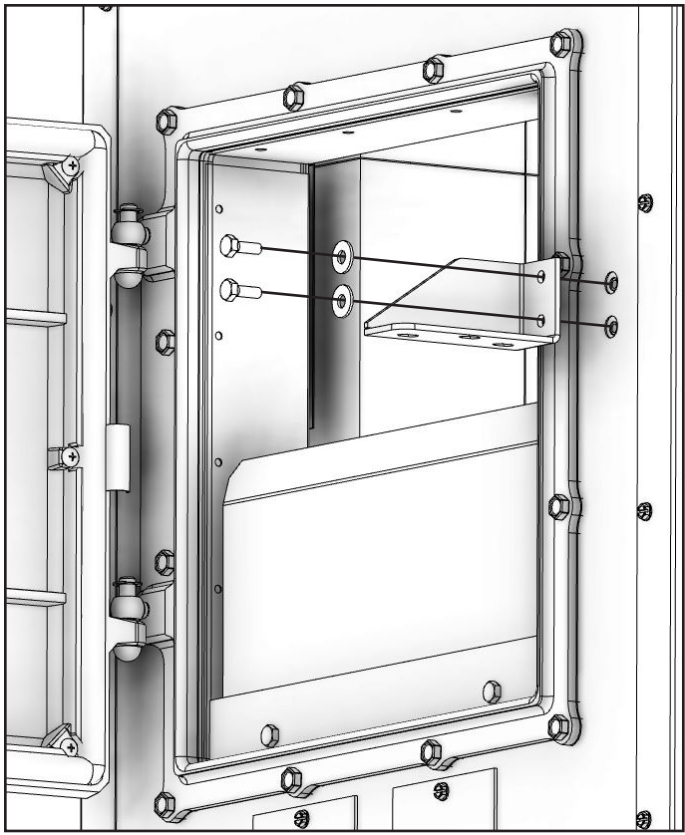
## POIGNÉE ET LOQUET DE LA PORTE

### D'ALIMENTATION

Utilisez un (1) écrou et une (1) rondelle pour fixer la poignée au poêle comme indiqué. Remarque : Ajustez la poignée selon les besoins pour assurer une bonne étanchéité.

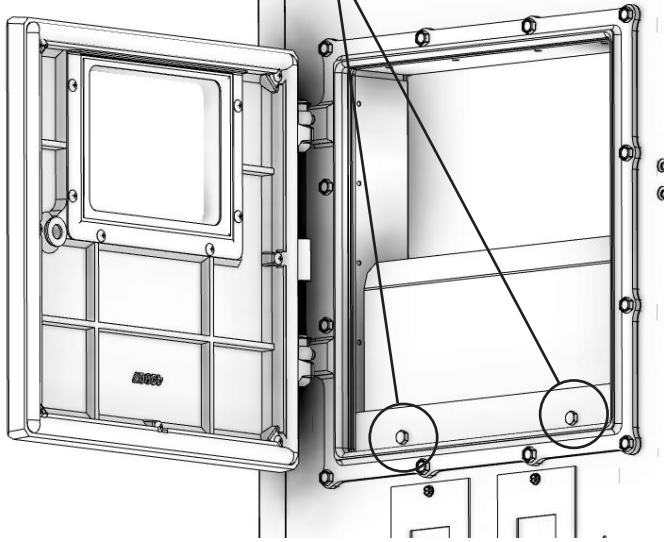


Utilisez deux (2) boulons 1/4-20 x 3/4 et deux (2) rondelles pour fixer le loquet à l'unité.

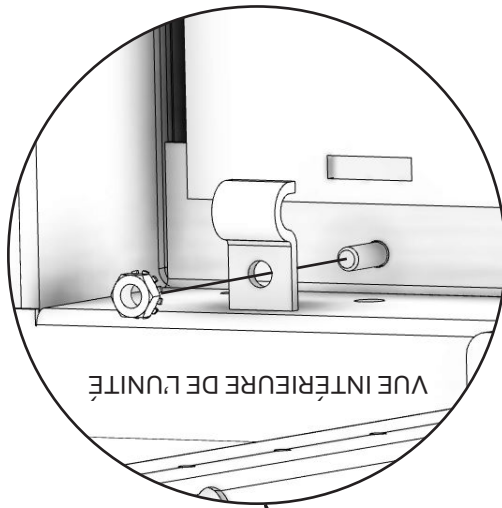


## ÉCRAN DE CANTONNEMENT

En utilisant deux (2) boulons ordinaires 1/4-20 x 1-1/4 po, deux pinces (2) à écran de cantonnement et deux (2) écrous, fixez l'écran de cantonnement au-dessus de la porte d'alimentation en combustible, comme indiqué. Après l'installation, l'écran de cantonnement doit pouvoir balancer librement vers la fournaise.



VUE EXTÉRIEURE DE L'UNITÉ



VUE INTÉRIEURE DE L'UNITÉ



**POUR LE SERVICE À LA CLIENTÈLE, APPELEZ : 800 750-2723 POSTE 5050**

## OUTILS ET MATÉRIAUX

La liste suivante contient les outils et matériaux requis pour l'installation de votre fournaise.

- Lunettes et gants de sécurité

- Divers outils à main pour l'assemblage des composants.

(de préférence des outils électriques)

- Tous les matériaux de cheminée et de conduit de

raccordement requis pour votre installation particulière.

- Outils et fournitures de câblage électrique

- Tous les matériaux nécessaires à l'installation du réseau de

gaines (arrivée et évacuation d'air) (la boîte de retour d'air

est fournie avec l'unité)

## DÉBALLAGE

1. Retirez tout emballage de la fournaise.

2. Retirez les pièces fournies, hors de la fournaise.

## CONFIGURATION DE LA BRIQUE RÉFRACTAIRE

Inspectez s'il y a des dommages. Veillez à ce que les briques

et le bouchon des cendres soient dans la bonne position et

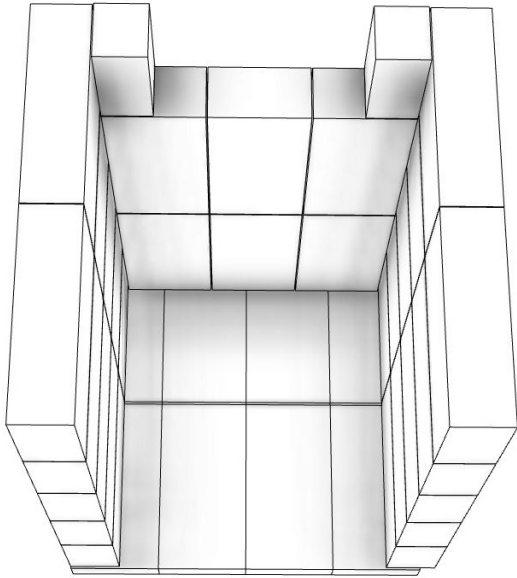
en bon état (voir l'illustration pour la bonne disposition des

briques). REMARQUE : Les briques réfractaires sont mises en

place à l'aide de silicone pour éviter tout dommage pendant le

transport. Tenter de supprimer les briques réfractaires avant

l'utilisation peut entraîner des dommages.



## CONFIGURATION DU PANNEAU EN FIBRE

Inspectez s'il y a des dommages. Veillez à ce que le panneau

en fibre soit correctement positionné et ne soit pas cassé (voir

l'illustration pour la disposition correcte du panneau en fibre).

REMARQUE : Les panneaux en fibre céramique sont mis en

place à l'aide de silicone afin d'éviter tout dommage pendant

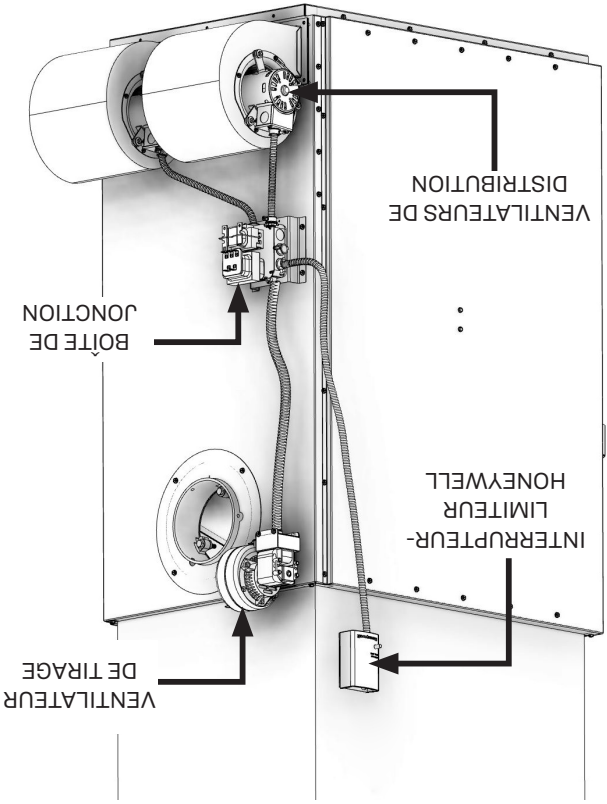
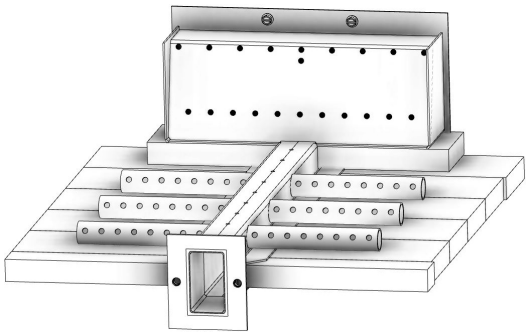
le transport. Tenter de retirer le panneau en fibre céramique

avant l'utilisation peut entraîner des dommages.

- Ecran de cantonnement
- Poignée et loquet de la porte d'alimentation
- Couverture avant/hotte
- Ventilateurs de distribution avec joints d'étanchéité
- Support de boîte de jonction
- Boîte de jonction et centre du ventilateur
- Ventilateur de tirage
- Sonde Honeywell
- Boîtier de filtre
- Branchements électriques

## ASSEMBLAGE DE LA FOURNAISE

Votre fournaise nécessite les éléments suivants pour l'assemblage ou l'installation par du personnel de service.



L'installation de votre poêle à bois ne doit être effectuée que par un installateur qualifié. Vous trouverez un(e) installateur(trice) qualifié(e) NFI à l'adresse [www.nficertified.org/public/find-an-nfi-pro/](http://www.nficertified.org/public/find-an-nfi-pro/)

## SERVICE À LA CLIENTÈLE

1 800 750-2723 poste 5050  
 Envoyez un SMS au 423 301-5624  
 Envoyez un courriel à : [CustomerService@usstove.com](mailto:CustomerService@usstove.com)

## LISTE DE VÉRIFICATION DE MISE EN SERVICE

Cette liste de vérification doit être remplie intégralement par la personne qualifiée qui installe cet appareil. Conservez cette page pour consultation ultérieure.

Le non-respect de l'installation et de la mise en service conformément aux instructions du fabricant et la non-exécution de cette liste de vérification annuleront la garantie.

Veuillez imprimer

Nom du client/de la cliente :		Numéro de téléphone :	
Adresse :			
Modèle :		Numéro de série :	
Nom de l'entreprise d'installation :		Numéro de téléphone :	
Nom du (de la) technicien(ne) d'installation :		Numéro de licence :	

## DESCRIPTION DU TRAVAIL

Eplacement de l'appareil installé :

Système de cheminée : Nouveau système de cheminée  Oui  Non Si oui, marque \_\_\_\_\_

Si non, date d'inspection du système de cheminée existant : \_\_\_\_\_

## MISE EN SERVICE

Confirmez l'installation du tapis de foyer conformément aux instructions d'installation

Confirmez le placement correct des pièces internes

Vérifiez la solidité du joint d'étanchéité et des joints de porte

Confirmez les dégagements aux combustibles conformément aux directives d'installation de ce manuel

Vérifiez le fonctionnement des contrôles d'air

Confirmez que le conduit de fumée et le système de cheminée sont bien fixés et scellés

Confirmez que le poêle tire correctement lorsqu'il est allumé

Assurez-vous qu'un avertisseur de CO est installé conformément aux codes de construction locaux et qu'il est fonctionnel

Expliquez les exigences relatives à l'utilisation sûre, au bon usage du carburant, au nettoyage et à l'entretien de routine

Déclaration d'achèvement des travaux : En tant que personne qualifiée responsable des travaux décrits ci-dessus, je confirme que l'appareil, en tant que travail associé, a été installé conformément aux instructions du fabricant et en suivant les codes de construction et d'installation applicables.

Signé : \_\_\_\_\_ Nom en lettres moulées : \_\_\_\_\_ Date : \_\_\_\_\_

## Propriétaire du logement : CONSERVEZ CES INFORMATIONS POUR CONSULTATION ULTÉRIEURE

Ce manuel décrit l'installation et l'utilisation de la fournaise au bois Hotblast, HB1520. Cette fournaise respecte les limites d'émission de l'Environmental Protection Agency des États-Unis pour les fournaises au bois en 2020. Selon les conditions d'essai spécifiques de l'EPA, il a été démontré que cette fournaise fournissait de la chaleur à un taux de 15 997 à 53 042 BTU/d'essai spécifique de l'EPA, il a été démontré que cette fournaise fournissait de la chaleur à un taux de 15 997 à 53 042 BTU/hr. Cette fournaise a atteint un taux d'émission de particules de 0,13 lb/mmBtu lorsqu'elle a été testée selon la méthode CSA B415.1-10 (\*et une efficacité globale de 70 %). La puissance calorifique maximum générale de cette fournaise a été testée à 65 258 Btu/hr.

Combustible :	Bois
Diamètre du conduit de raccordement :	153 cm (6 po)
Type de tuyau de raccordement : (Standard, à paroi unique ou à double paroi) :	Noir ou acier bleu! 650 °C (2100 °F) Classe « A »
Hauteur minimum de la cheminée :	3,65 m (12 pi)
Longueur maximum de bûche :	58,5 cm (23 po)
Électricité :	120 volts, 60 Hz, 6,0 ampères
Dimensions	
Assemblée Hauteur x Largeur x Profondeur :	1143 mm (45 po) x 645 mm (25-3/8 po) x 1391 mm (54-3/4 po)
Chambre de combustion : Largeur x profondeur :	35 cm (13,75 po) x 61 cm (24 po)
Volume : Pieds cubes :	3,95 pi³
Ouverture de la porte : Largeur x hauteur :	35,6 cm (14 po) x 35,3 cm (13,89 po)

## PRÉCAUTIONS :

- CHAUD LORSQU'IL FONCTIONNE. GARDER LES ENFANTS, LES VÊTEMENTS ET LES MEUBLES À L'ÉCART. LE CONTACT PEUT ENTRAÎNER DES BRÛLURES DE LA PEAU.
- NE PAS UTILISER DE PRODUITS CHIMIQUES OU DE FLUIDES POUR ALLUMER LE FEU.
- NE PAS LAISSER LE POÊLE SANS SURVEILLANCE LORSQUE LA PORTE EST LÉGÈREMENT OUVERTE.
- NE PAS BRÛLER DE DÉCHETS, DE LIQUIDES INFLAMMABLES TELS QUE L'ESSENCE, LE NAPHTA OU L'HUILE DE MOTEUR.
- NE PAS BRANCHER SUR UN CONDUIT OU UN SYSTÈME DE DISTRIBUTION D'AIR.
- TOUJOURS FERMER LA PORTE APRÈS L'ALLUMAGE.
- VOTRE CHEMINÉE DOIT ÊTRE INSPECTÉE AVANT L'INSTALLATION DE VOTRE NOUVEAU POÊLE À BOIS. VOUS DEVEZ AUSSI PROCÉDER À L'INSPECTION DE VOTRE CHEMINÉE POUR DÉTECTER LES DÉPÔTS DE CRÉOSOTE UNE FOIS PAR MOIS PENDANT LA SAISON DE CHAUFFAGE ET UNE FOIS PAR AN POUR UN CONTRÔLE ET UN NETTOYAGE.



**Remarque :** Enregistrez votre produit en ligne sur [www.usstove.com](http://www.usstove.com) ou téléchargez l'application gratuite aujourd'hui. Cette application est disponible uniquement sur l'App Store pour iPhone et iPad. Recherchez US Stove. Conservez votre facture dans vos dossiers en cas de réclamation.

Pour le service à la clientèle, veuillez appeler :

1 800 750-2723 poste 5050 ou;

envoyez un SMS au 423 301-5624 ou;

envoyez-nous un courriel à :

[customerservice@usstove.com](mailto:customerservice@usstove.com)

# Manuel d'instructions et d'utilisation destiné au propriétaire



Numéro de modèle :  
HB1520

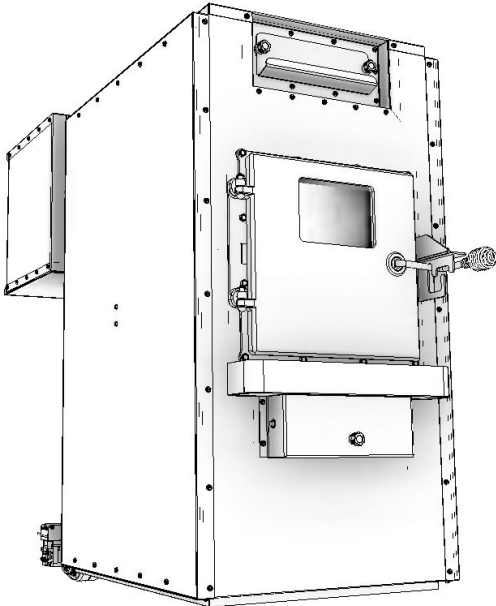


Numéro de rapport : 22-808

Certifié selon UL-391-2006 (R2019), Certifié selon :  
CSA B366.1-11 (R2020), et CSA B415.1:22

\* Toutes les images contenues dans le présent manuel ne sont fournies qu'à titre d'illustration. Le produit en question peut différer de celui illustré.

## Fournaise centrale au bois seulement



Gardez les instructions dans un endroit sûr pour consultation ultérieure.



**AVIS DE SÉCURITÉ :** Si cette unité n'est pas correctement installée, un incendie pourrait se produire. Pour votre sécurité, respectez les directives d'installation. Ne faites jamais de compromis de fortune pendant l'installation de cette unité. Communiquez avec les responsables du bâtiment ou le service d'incendie local au sujet des permis, restrictions et exigences d'installation de votre région.



**ATTENTION!** Lisez entièrement ce manuel avant d'installer ou d'utiliser cette unité. Ne pas respecter ces instructions pourrait causer des dommages à la propriété, des blessures corporelles ou même la mort. Une installation incorrecte annulera votre garantie!

**Environmental Protection Agency  
des États-Unis**

Certifié conforme aux normes d'émission  
de particules de 2020



**AVERTISSEMENT CONCERNANT  
LA PROPOSITION 65 DE LA CALIFORNIE :**  
Ce produit peut vous exposer à des agents chimiques,  
notamment au monoxyde de carbone, qui est reconnu  
dans l'État de la Californie comme causant le cancer, des  
malformations congénitales et/ou d'autres dommages à  
l'appareil reproductif. Pour obtenir plus de renseignements,  
veuillez consulter le site [www.P65warnings.ca.gov](http://www.P65warnings.ca.gov)

LE PRÉSENT MANUEL EST SUSCEPTIBLE D'ÊTRE MODIFIÉ SANS PRÉAVIS.

© 2023 United States Stove Company, 227 Industrial Park Rd., South Pittsburg, TN 37380 Tél. 800 750-2723