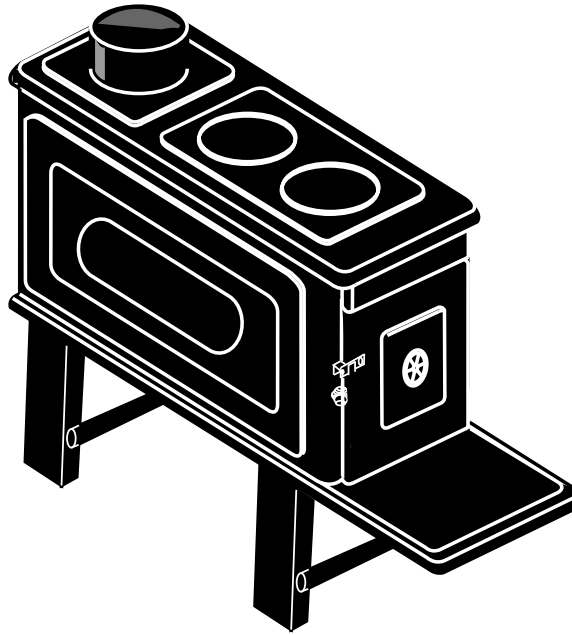


Owner's Manual
Model 127
BOX WOOD HEATER



CAUTION:
READ ALL THE INSTRUCTIONS CAREFULLY
BEFORE STARTING THE OPERATION OF THIS
HEATER.

DO NOT USE THIS HEATER IN A MOBILE HOME OR TRAILER

Save this manual for future reference

THIS MANUAL WILL HELP YOU TO OBTAIN EFFICIENT, DEPENDABLE
SERVICE FROM THE HEATER, AND ENABLE YOU TO ORDER REPAIR
PARTS CORRECTLY.



United States Stove Company

227 Industrial Park Road
P.O. Box 151
South Pittsburg, TN 37380

CONGRATULATIONS!

You've purchased one of North America's Finest Woodburning Heaters. By heating with wood you are helping CONSERVE ENERGY. Wood is our only Renewable Energy Resource. Please do your part to preserve our wood supply. Plant at least one tree each year. Future generations will thank you.

TOOLS AND MATERIALS NEEDED

TOOLS

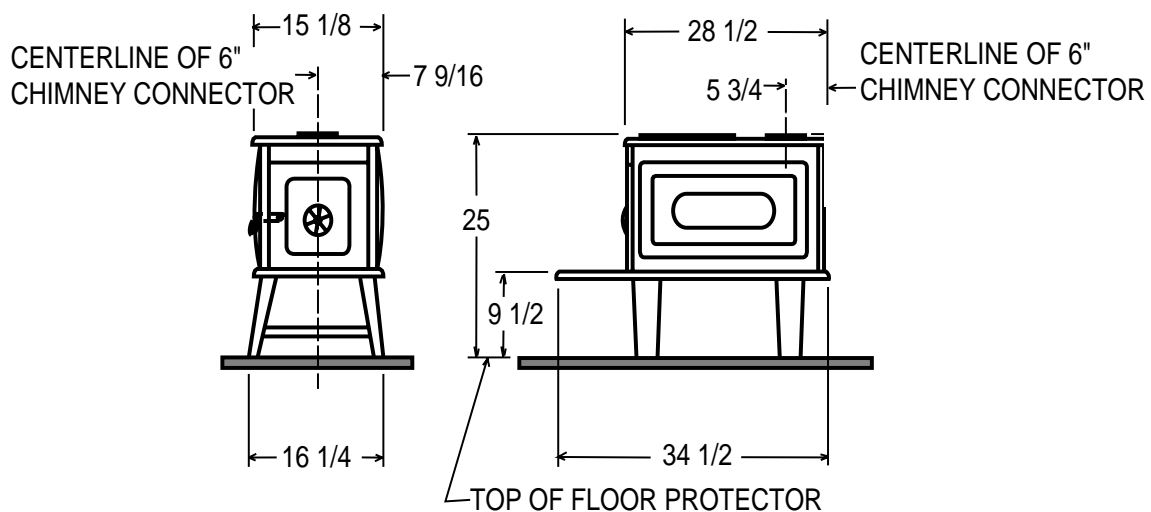
Pencil
6 Foot Folding Rule
or Tape Measure
Tin Snips
Drill, Hand or Electric
Drill Bit 1/8" dia.
(For sheet metal screws)
Adjustable Wrench
Screw Driver (Blade-Type)
Gloves

MATERIALS

6" Pipe, 6" Elbow, Collar and
Thimble; (24 gauge min.)
1/2" Sheet metal screws
(No. 10A x 1/2")
6" Inside diameter Underwriters
Laboratories (UL) Listed
Residential Type and Building
Heating Appliance Chimney or
existing masonry chimney.
Floor Protector Material
(3'-0" x 4'-6") See Page 4.
Furnace Cement (Manufacturer
Recommends: Rutland Black
Code 78 or equivalent)
6" Barometric Draft Regulator

HEATER DIMENSIONS

Fig. 1



SAFETY RULES

SAFETY NOTICE: If this heater is not properly installed a house fire may result. For your safety, follow the installation directions. Contact local building or fire officials about restrictions and installation inspection requirements in your area.

Read these rules and the instructions carefully.

1. Check your local codes. The installation must comply with their rulings.
2. Do not install this heater in a mobile home or trailer.
3. Always connect this heater to a chimney and vent to the outside. Never vent to another room or inside a building.
4. Do not connect a wood burning heater to an aluminum Type B gas vent. This is not safe and is prohibited by the National Fire Protection Association Code. This heater requires a masonry or a UL Listed Residential Type and Building Heating Appliance Chimney. Use a 6" diameter Chimney or larger, that is high enough to give a good draft.
5. Be sure that your chimney is safely constructed and in good repair. Have the chimney inspected by the Fire Department or a qualified inspector. Your insurance company may be able to recommend a qualified inspector.
6. Inspect chimney connector and chimney twice monthly during the heating season for any deposit of creosote or soot which must be removed (see Chimney Maintenance, page 6).
7. Provide air for combustion from outside the house into the room where the heater is located. If the intake is not in the same room, air must have free access to the room.
8. To prevent injury, do not allow anyone to use this heater who is unfamiliar with the correct operation of the heater.
9. For further information on using your heater safely, obtain a copy of the National Fire Protection Association (NFPA) publication "Using Coal and Wood Stoves Safely" NFPA No. HS-10-1978. The address of the NFPA is Batterymarch Park, MA 02269.
10. DISPOSAL OF ASHES- Place in a metal container with a tight fitting lid. Keep the closed container on a noncombustible floor or on the ground, well away from all combustible materials. Keep the ashes in the closed container until all cinders have thoroughly cooled. The ashes may be buried in the ground or picked up by a refuse collector.
11. CAUTION- The special paints used on your heater may give off some smoke while they are curing during first few fires. Build small fires at first.
12. CARING FOR PAINTED PARTS- This heater has a painted jacket, which is durable, but it will not stand rough handling or abuse. When installing your heater, use care in handling. Clean with soap and warm water when heater is not hot. DO NOT use any acids or scouring soap, as these wear and dull the finish. PAINT DISCOLORATION WILL OCCUR IF THE HEATER IS OVERFIRED. FOLLOW OPERATING INSTRUCTIONS CAREFULLY.
13. Keep the feed door closed at all times except while tending the heater.

CAUTION: Do not touch the heater until it has cooled.

INSTALLATION

1. Place the heater on solid masonry or solid concrete. When the heater is used on a combustible floor, use an UL Listed floor protector, such as an American Stoveboard Model UL 3654BP or equivalent. The base should extend at least 18" beyond the door side of the heater and should extend under the flue pipe if it is elbowed towards a wall (Fig. 5).
2. Unpack the heater and attach the legs using the bolts and nuts that are furnished.
3. Attach leg strap to the inside of the legs (as shown below) using machine screws, lockwashers, and nuts that are furnished. (NOTE: This is to be done to front set of legs and rear set of legs.) (See Fig. 2a)
4. Check Figures 3, 4 and 5. Be sure you have the clearances shown from the heater and the connector pipe to combustible surfaces. If you have a solid brick or stone wall behind your heater, you can place the heater as close as you wish to the wall. If the wall is only faced with brick or stone, treat it as a combustible wall.
5. Place the heater at least 36" from any combustible wall.
6. Connect the Flue collar to the top of the heater using the (3) 5/16-18 x 1-1/2" bolts and (3) tabs provided. (See Figure 2b). Note: Attach flue collar gasket to underside of Collar in groove. Gasket is self-adhesive.
7. Install 3 sheet metal screws in each stove pipe joint to firmly hold pipe together.
8. DO NOT install this heater in a mobile home or a trailer.
9. Check your local building and insurance codes. The installation must comply with their rulings.

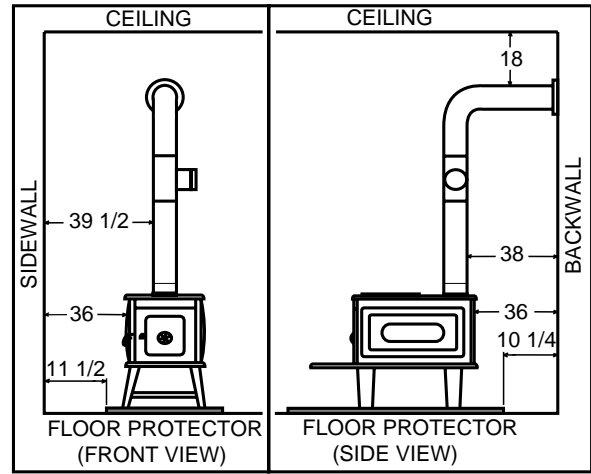


Fig. 3

Fig. 4

CAUTION:
KEEP FURNISHINGS AND OTHER COMBUSTIBLE MATERIALS AWAY FROM THE APPLIANCE.

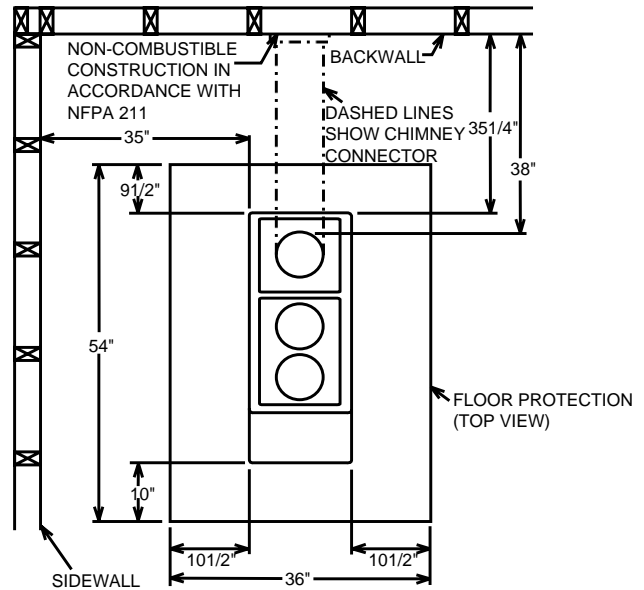


Fig. 5

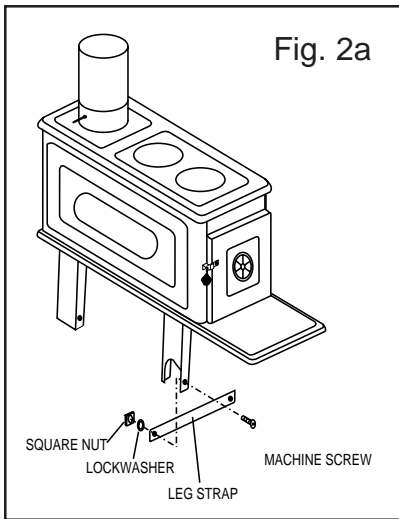


Fig. 2a

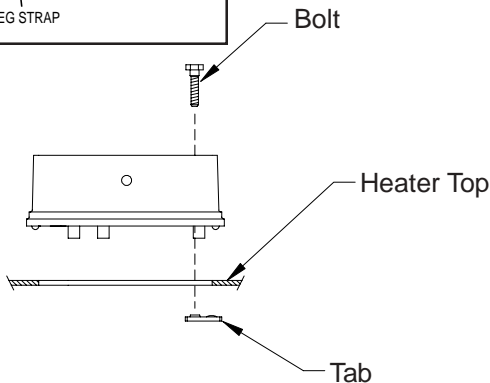
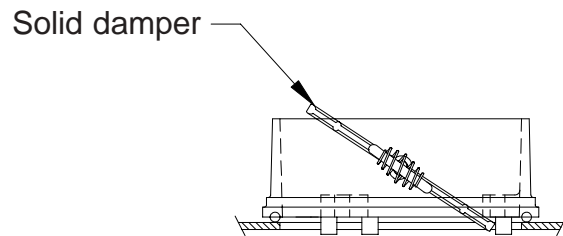


Fig. 2b



Cross-section of flue collar

Install Damper into flue collar as shown above. Important: Damper must be installed on an angle.

OPERATION OF THE HEATER

1. BE SURE TO PUT A LAYER OF SAND OR FIRE-BRICK APPROXIMATELY 2" THICK IN THE BOTTOM OF THE STOVE BEFORE STARTING FIRE.
2. Burn wood or wood products only. The wood should be air dried (seasoned) for at least 6 months prior to use for maximum efficiency.
3. After the fire has been started and is burning satisfactorily, adjust the rate of burning by opening or closing the draft damper wheel on the feed door.
4. Never build extremely large fires in this type of heater as damage to the heater or smoking may result.
5. Provide air into the room for combustion.
6. DO NOT touch the heater after firing. Wait until it has cooled.

CHIMNEY CONNECTION

MASONRY CHIMNEY

Before using and existing masonry chimney, clean the chimney and inspect the flue liner to be sure it is safe to use. Make repairs before attaching the heater. (See Pg. 3, item 5)

Look at Fig. 6. The connector pipe and fittings you will need to connect directly to a masonry chimney are shown. If the connector pipe must go through a combustible wall before entering the masonry chimney, consult a qualified mason or chimney dealer. The installation must conform to local fire codes and NFPA 211.

Do not connect this heater into the same chimney flue as the fireplace or flue from another heater. The chimney used for a heater must not be used to ventilate the cellar or basement. If there is a cleanout opening at the base of the chimney, close it tightly.

UL LISTED CHIMNEY

Carefully follow chimney manufacturer's instructions. Use only a UL Listed Residential Type and Building Heating Appliance Chimney. If your Chimney starts at the ceiling (Fig. 7), you will need enough 6" pipe to reach the ceiling.

The top of the chimney must be at least 3 feet above the roof and be at least 2 feet higher than any point of the roof within 10 feet (Fig. 7).

RULES FOR CONNECTOR PIPE INSTALLATION

1. The crimped end of the pipe must be installed away from the heater. The pipe sides over the flue outlet "lip" on top of the heater.
2. Slope any horizontal pipe upward the chimney at least 1/4 inch for each foot of horizontal run.
3. You must have at least 18 inches of clearance between any horizontal piping and the ceiling. (Fig. 4)
4. The pipe cannot extend into the chimney flue (Fig. 8).
5. Seal each connector pipe joint with furnace cement. Also seal the pipe at the chimney.
6. Use 3 sheet metal screws at each joint to make the piping rigid.

7. It is recommended that no more than two (2) 90 degree bends be used in the stovepipe installation as more than two (2) may decrease the amount of draw and possibly cause smoke spillage.

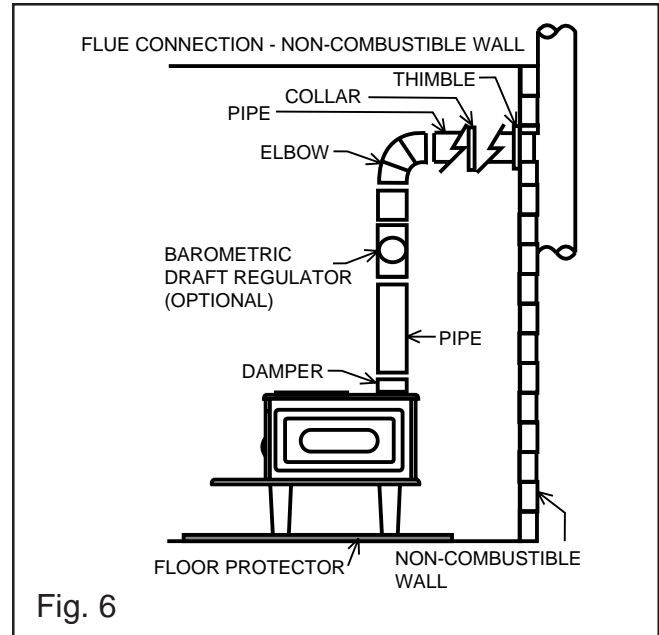


Fig. 6

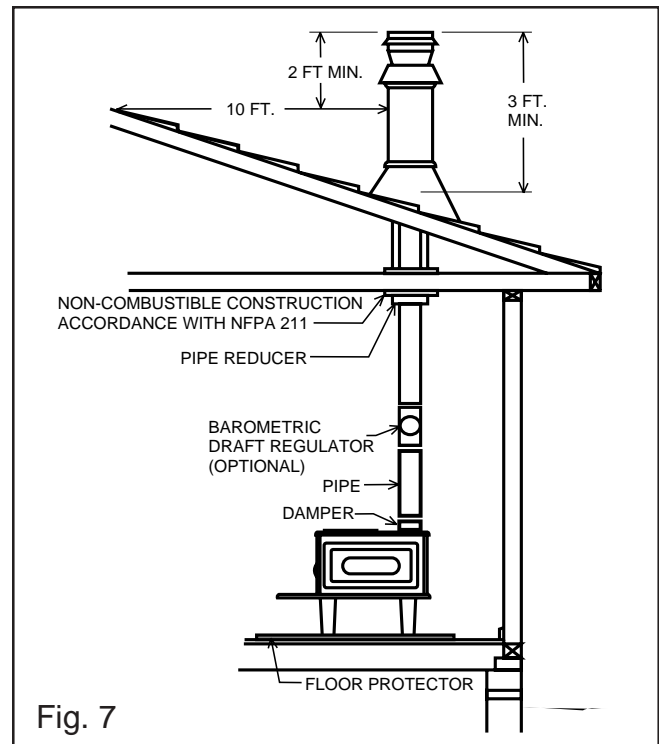


Fig. 7

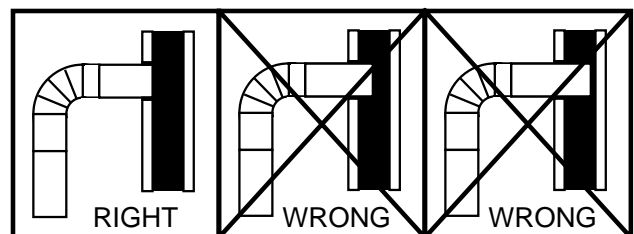


Fig. 8

WARNING
NEVER STORE FLAMMABLE LIQUIDS, ESPECIALLY GASOLINE, IN THE VICINITY OF THE HEATER.

CAUTION
OVERFIRING THE APPLIANCE MAY CAUSE A HOUSE FIRE, IF A UNIT OR CHIMNEY CONNECTOR GLOWS, YOU ARE OVERFIRING.

SERVICE HINTS

Do not expect a heater to draw. It is the chimney that creates the draft. Smoke spillage into the house or excessive buildup of water or creosote in the chimney are warnings that the chimney is not functioning properly. Correct the problem before using heater. Possible causes are:

1. The connector pipe may be pushed into the chimney too far, stopping the draft (Fig. 8).
2. Do not connect two heaters into the same chimney flue.
3. The chimney used for a heater must not be used to ventilate the cellar or basement. If there is a cleanout opening at the base of the chimney, it must be closed tightly.

CHIMNEY MAINTENANCE

Creosote - Formation and Need for Removal

When wood is burned slowly, it produces tar and other organic vapors, which combine with expelled moisture to form creosote. The creosote vapors condense in the relatively cool chimney flue of a slow-burning fire. As a result, creosote residue accumulates on the flue lining. When ignited this creosote makes an extremely hot fire.

The chimney connector and chimney should be inspected at least twice monthly during the heating season to determine if a creosote buildup has occurred.

CAUTION
NEVER USE GASOLINE, GASOLINE-TYPE FUEL, KEROSENE, CHARCOAL LIGHTER FLUID, OR FLAMMABLE LIQUIDS TO START OR "FRESHEN UP" A FIRE IN THE HEATER.

CAUTION
USE WOOD OR WOOD-LIKE MATERIALS ONLY. DO NOT USE COAL OR CHARCOAL. COAL OR CHARCOAL WILL DESTROY THE FIREBOX.

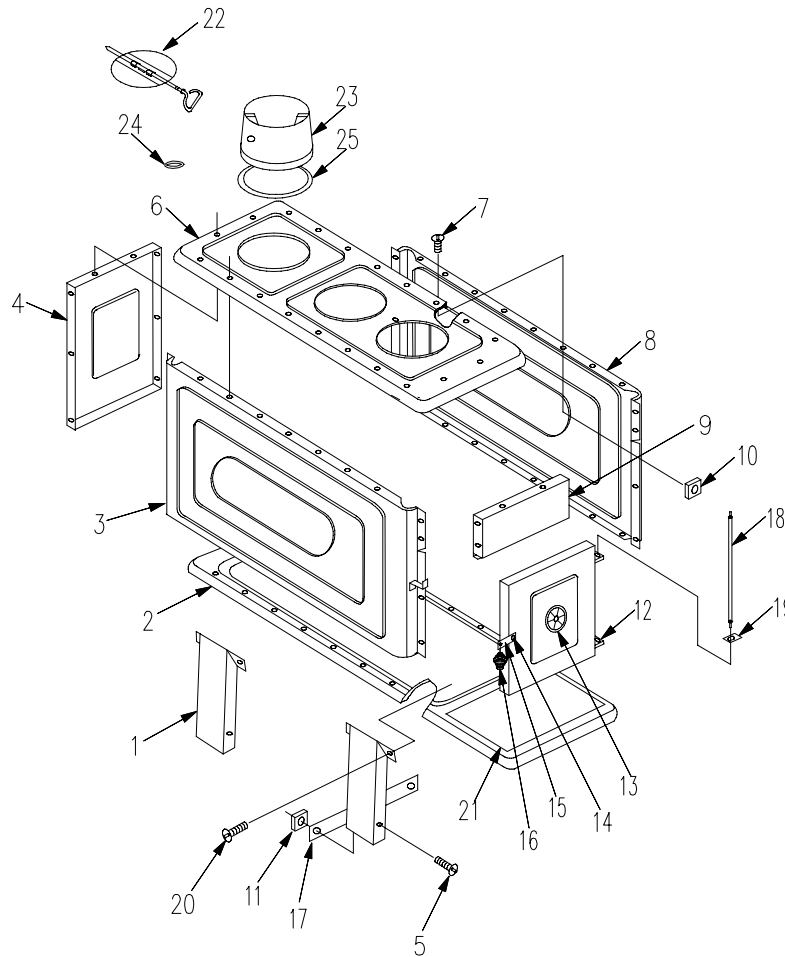
4. If the chimney is operating too cool, water will condense in the chimney and run back into the stove. Creosote formation will be rapid and may block the chimney. Operate the heater at a high enough fire to keep the chimney warm preventing this condensation.

5. If the fire burns well, but sometimes smokes or burns slowly, it may be caused by the chimney top being lower than another part of the house or a nearby tree. The wind blowing over a house or tree, falls on top of the chimney like water over a dam, beating down the smoke. The top of the chimney should be at least 3 feet above the roof and be at least 2 feet higher than any point of the roof within 10 feet (Fig. 7).

If creosote has accumulated, it should be removed. Failure to remove creosote may cause a house fire. Creosote may be removed by using a chimney brush or other commonly available materials.

Chimney fires burn very hot. If the chimney connector should glow red, immediately call the fire department, then reduce the fire by closing the inlet air control and pour a large quantity of coarse salt, baking soda, or cool ashes on top of the fire in the firebox. **CAUTION:** A chimney fire may cause ignition of wall studs or rafters which you thought were a safe distance from the chimney. If you have a chimney fire, have your chimney inspected by a qualified person before using again.

REPAIR PARTS MODEL 127



Key#	Part #	Description	Qty.
1	22027	Leg	4
2	19160	Main bottom	1
3	67786	Main Side-Left Hand	1
4	19180	Main Back	1
5	83183	Screw (10-24 x 3/4")(MS, SL, TR, PL)	8
6	24522	Main Top	1
7	83005	Machine Screw (10-24 x 1/2", SL, TR, HD)	24
8	67785	Main Side-Right Hand	1
9	19200	Main Front	1
10	83244	KEP Nut (10-24)	42
11	83250	KEP Nut (1/4-20)	13
12	66650	Front Door assembly	1
13	23336	Draft Control Wheel	1
14	83086	Machine Screw (1/4-20x3/4" MS, SL, FL, Z)	4
15	19250	Door Handle	1
16	89001	Wire Handle	1
17	22082	Leg Strap	2
18	23441	Pin, Door Hinge	1
19	83819	Tinnerman Clip	1
20	83086	Screw (1/4-20x3/4") (MS, SL, FL)	8
21	85427B	UL Label	1
22	D6	6" Damper	1
23	24561	Flue Collar	1
24	83431	Weld Tab	3
25	88042	Gasket	1
*	83432	5/16-18 x 1-1/2" Bolt, NOT SHOWN	3
*	83096	10-24 x 3/4 MS SR TR Z	10
*	83102	1/4-20 x 1-1/4 MS SL FL	1

HOW TO ORDER REPAIR PARTS

THIS MANUAL WILL HELP YOU TO OBTAIN EFFICIENT, DEPENDABLE SERVICE FROM THE HEATER, AND ENABLE YOU TO ORDER REPAIR PARTS CORRECTLY.

KEEP IN A SAFE PLACE FOR FUTURE REFERENCE.

WHEN WRITING, ALWAYS GIVE THE FULL MODEL NUMBER WHICH IS ON THE NAMEPLATE ATTACHED TO THE FRONT OF THE HEATER.

WHEN ORDERING REPAIR PARTS, ALWAYS GIVE THE FOLLOWING INFORMATION AS SHOWN IN THIS LIST:

1. The PART NUMBER
2. The PART DESCRIPTION
3. The MODEL NUMBER: 127
4. The SERIAL NUMBER: _____

SAVE THIS MANUAL FOR FUTURE REFERENCE



UNITED STATES STOVE COMPANY

227 Industrial Park Road
P.O.Box 151
South Pittsburg, TN 37380
(423) 837-2100