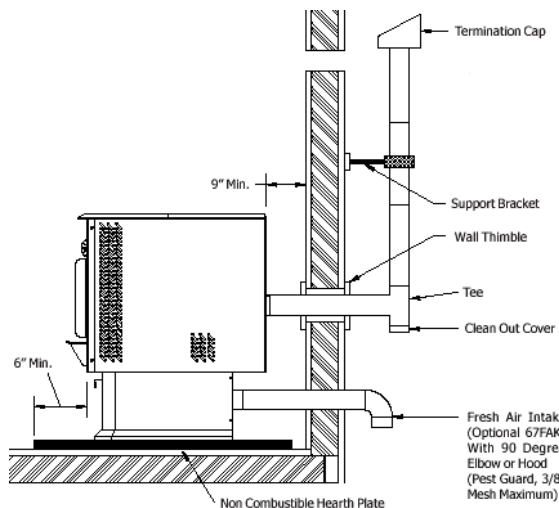


Before you buy:

Choosing the American Harvest allows you the ultimate freedom in fuel selection. No more are you dependent upon a particular fuel source. The American Harvest has been tested with a wide variety of fuel selections including: Corn, Pellets, Soy Beans, Cherry Pits and Olive Pits.

Installation Tips:

Before you begin: It's a good idea to test the operation of the American Harvest and pre-burn your corn stove outdoors. This will allow any burn off of residual paint, oils and other contaminants that may cause odors and or smoke during the initial burn. [See Start-Up Procedures section on pre-testing your American harvest.](#)



[See page 10 of your owner's manual for complete details.](#)

When choosing a location for your American Harvest, make sure you meet the minimum clearances listed in the manual for both the stove and venting system. We recommend a pellet vent kit (Dura-Vent or Metal Fab are excellent examples), which includes the necessary clean-out "T", with a four foot vertical run and cap. **DO NOT VENT INTO EXISTING CHIMNEY.** To do so will cause

excessive back- pressure. Masonry chimneys do not "draft" well until very hot, and offer too large a flue cross- section and are too high. With this appliance, less "chimney" height is better.

When installing into an application that will require a fresh air vent, use the 67FAK. This will allow combustion air to enter the firepot from the outside, increasing the efficiency and reducing the likelihood of creating negative pressure or vacuum effect in your home.

Start-Up Procedures

Before starting your multi-fuel heater for the first time. It is a good idea to run through a pre-start test to get an understanding of how the American Harvest operates.

Turning to page 17 in your 6037 owners manual, will give you a complete outline for the start-up sequence of events.

As you inspect your American Harvest, you will find the power cord, owner's manual and auger, packed in the ash pan. You will find the hopper lid is packed inside the hopper for shipping. Also, this is a good time to inspect the hopper area. Make sure there are no items left in the hopper that may obstruct the auger.

At this point, you will need to install the auger into the auger housing tube. Simply slide the auger into the tube until it bottoms out. Then rotate the auger, slightly pushing back, until the auger mates up with the auger coupler. Once mated, you will not be able to turn the auger by hand. *Maintenance Tip: To remove the auger, make sure the hopper is empty and simply pull the auger straight out.*

Now, after reading the owners manual, AGAIN, connect the power cord. *Tech Tip: As you plug up the 6037 to your electrical outlet, notice the circuit board has a green light that will flash two times. This signifies power to the board and that it is operating properly.*

Pre-Start Test Sequence

Turn the control panel to any one of the five "Heat Settings".

1. Exhaust blower will start immediately.
2. Auger and Agitator will start rotating after THREE minutes. This will be intermittent, depending on the heat setting. *Tech Tip: On setting "3", the auger will run for six seconds and stay off for ten seconds. The agitator will run for thirty-six seconds and stay off twenty-five seconds.*
3. Distribution or Circulation fan will not operate until a fire is present and the temperature inside the stove reaches 110 degrees.
4. After 15 minutes, since the stove is not burning and the minimum temperature has not been reached, the American Harvest will begin to shut down. *Tech Note: When an error occurs as a low temperature shut off, or hi temperature shut off, you will notice the green light on the control panel flashing. You will need to turn the control panel to the "OFF" setting, and then back on to reset the control board and correct the error.*

Start-Up, Initial Firing:

Read Owners Manual under "Lighting Instructions".

To Start:

- Turn heating setting to "OFF" and place a large handful of wood pellets or fire starting pellets in the firepot. *Tech Tip: Fire starting pellets already contain fire starter gel.*
- Squirt a small amount of fire starter gel, if fire-starting pellets are not being used, on top of the pellets.
- Light the pellets and wait approx. 1-minute.
- Turn heating setting to "1" and pull the draft control out about 1/4". *Tech Tip: Depending on your fuel, this may need to be adjusted.*
- Adjust draft knob so you have an active fire with occasional sparks flying from the firepot.
- Three minutes after turning to "1", the auger and agitator will start. If you see

the fire getting low, due to lack of fuel, turn the heat setting up. If too much fuel is present, turn the heat setting to "OFF" and back on. This will pause the auger for 3 minutes (if Lo limit temp has not been reached).

- Once the fire has established itself (usually within 10 minutes) set the heat setting to "3" and adjust draft accordingly.
- **MOST IMPORTANT! READ THE OWNERS MANUAL**

Operation of your American Harvest:

As you begin to better understand how your heater operates and the amount of heat you require, you can adjust the heat setting up or down to your satisfaction.

The flame should be "active". A flame that moves lazily and emits visible smoke needs more draft. Pull the draft knob out 1/8" and check again. Continue until you get a clean, dancing flame.

If the flame has too much air, it will resemble a torch. You will need to move the damper inward 1/8" until the conditions improve.

As with any solid fuel-burning device, every fuel has different combustion properties and requires different attention. *Tech Tip: When burning corn, add a little oyster shell to your fuel. This will aid in combustion and keep the firepot and agitator clean.* As you monitor your American Harvest burning, you may find some fuels leave an abundance of ash in the firepot. This will result in a blockage of the combustion air and cause the fuel to build up and eventually smother the fire. Simply, "stoke" the fire as you would a wood stove. Just poke the fuel and allow the ashes to pass through to the ash pan. *Tech Tip: A large screwdriver or wooden stick works great. Just open the door and push the fuel around. It takes about 5 seconds, and you're done.*



Tech Tip: The above guide will assist in positioning your draft control knob.

Maintenance of Your American Harvest:

Proper maintenance and understanding of your stove, is the key to proper operation.

Remember, surfaces are HOT during use!

Ashes will build up inside the firebox and along the inner walls. You should take a wooden stick and tap the heat exchangers in the top, along with the inner sides. This will cause the ash to drop down and allow you to dump the ashes.

At this time, you should also pull the draft knob to full open and allow the stove to “self clean” itself. This should be done on a DAILY basis.

Weekly, or as needed, shut the stove down (see shut down procedures) and allow stove to cool.

- Perform your daily maintenance along with removing the inner clean-out slide plates.
- Remove Agitator and Firepot and clean – thoroughly. Remove any accumulation from all air holes in firepot.
- Clean or vacuum ash from behind inner firewall.
- Inspect hopper for excess debris. Pellets will produce sawdust in the hopper that WILL result in auger jams.
- Remove the ash pan and dump ash into a fireproof metal container.

You will also need to inspect your venting system.

- Remove the clean out “T” and empty.
- Slide the exhaust pipe away from the back of your American Harvest and remove any ash build up. *Tech Tip: Here, you can check the exhaust blower*

fins. If a build up of ash is present, remove the blower and clean.

CORN BURNERS, PAY ATTENTION:

Wet Corn WILL NOT burn - period

Dry Corn, only – less than 15% moisture

No Seed Corn (contains chemicals)

No Deer Corn (contains molasses and salt)

Use fine grain (less than 1/8”) Oyster Shell /

Chicken Scratch (calcium carbonate). If not,

your agitator will develop accumulations of

clinkers and the firepot air holes will clog. Your

stove will starve for air and the fire will go out.

Store corn inside for several days prior to

burning to keep it dry.

Shutdown Procedure

VERY IMPORTANT!

Once your American Harvest has reached its

normal operating temperature, shutting down

your stove is accomplished by switching the

control panel to the “OFF” position. For safety

reasons, the stove will continue to run at a

much lower heat setting for 10 minutes. After

10 Minutes, the auger will slow down further

and continue until the “LOW LIMIT SAFETY”

sensor tells the control board it is safe to

shutdown. *Tech Tip: Turning control to the “OFF”*

position and pulling out the draft control to full open,

will shutdown the stove quickest. (Simply turning to

the “OFF” position, the stove can continue to run,

albeit very low, for long periods. This will depend on

fuel type, operating temperature and installation.)

Read your owners manual under “Shutdown

Sequence of Events”, for the complete outline.

TROUBLE SHOOTING

? Fire goes out or stove shuts down. Fuel may stop feeding.

- Auger jams- Empty hopper and remove auger. Clean both hopper and auger tube. Jams can be a problem if poor quality fuel is used, or if excessive fines (sawdust, corncobs or husk) are found in the hopper. *Tech Tip: Auger jams are evident when the auger turns but*

no fuel is delivered or auger is not turning at all.

- Auger has come loose- Check to see if the auger motor is turning and auger is not. If this happens, unplug your stove and slide the auger back into the coupler. If coupler is loose, remove auger motor and tighten setscrew in coupler.
- Low Limit safety Sensor- Green light will be flashing. Turn stove off and back on to reset.
- Hi Limit Safety Sensor- Evident when stove is extremely hot. Also, green light will be flashing. Allow stove to cool and restart.
- Vacuum Switch Tripped- Caused by exhaust blower not operating or venting blocked. Check blower, clean or replace, clean venting.

? Fire burns with a lazy, orange flame and/or fuel build up in firepot.

- Moisture of fuel too high. Allow fuel to dry or mix with wood pellets.
- Blockage of combustion air. Clean stove and remove ashes. Make sure firepot and exhaust system are clean.
- Glass door not shut or loose. Adjust door handle and/or replace gasket.
- Draft control knob set too low. Pull out to increase combustion air.
- Feed rate for fuel is too high. Reduce heat setting.
- Inadequate combustion air available. Add outside combustion air kit, model 67FAK.
- Clean out plates missing or not fully closed. Make sure when you empty the ashes, you slide the ash dump or clean out plates back in fully. *Tech Tip: This is the most common reason for a poorly burning stove. This will cause the firepot to plug with unburned fuel.*

American Harvest
by United States Stove Company

Model 6037
Corn & Pellet Multi-fuel Stove



Heat Capacity	1,200 square feet
Btu's	53,200
Fuel Type:	Corn / Pellets
Flue Size:	3" (pell-vent)
Hopper Capacity:	70 lbs
Dimensions:	23.5" W x 33.25" H x 29.50" D
Clearance:	Sides - 7", Front - 48", Back - 9"
Shipping Weight:	309 lbs

“Keeping North America Warm Since 1869”

United States Stove Company

800-750-2723

www.usstove.com/americanharvest